



US00D751284S

(12) **United States Design Patent**  
**Kishimoto**

(10) **Patent No.:** **US D751,284 S**  
(45) **Date of Patent:** **\*\* Mar. 15, 2016**

(54) **COVER FOR PORTABLE ELECTRONICS**

(71) Applicant: **Fromwest, Inc.**, Hyogo (JP)

(72) Inventor: **Minoru Kishimoto**, Hyogo (JP)

(73) Assignee: **Fromwest, Inc.**, Hyogo (JP)

(\*\*) Term: **14 Years**

(21) Appl. No.: **29/458,019**

(22) Filed: **Jun. 14, 2013**

(30) **Foreign Application Priority Data**

May 21, 2013 (JP) ..... 2013-011124  
May 21, 2013 (JP) ..... 2013-011125

(51) **LOC (10) Cl.** ..... **03-01**

(52) **U.S. Cl.**  
USPC ..... **D3/218**

(58) **Field of Classification Search**  
USPC ..... D3/218, 215, 201, 219, 224, 226, 228,  
D3/205, 269, 303, 327, 328;  
D14/250–251, 253, 447, 451;  
248/309.1, 310; 224/674, 676–681,  
224/901, 904, 240–241, 245, 578, 604, 930,  
224/197; 206/305, 320; 455/575.1–575.8;  
379/455

See application file for complete search history.

(56) **References Cited**

**U.S. PATENT DOCUMENTS**

1,509,781 A \* 9/1924 Roth ..... 119/795  
2,522,719 A \* 9/1950 Johnson ..... 224/220

2,572,889 A \* 10/1951 Strykower ..... 224/258  
D267,159 S \* 12/1982 Borofsky et al. .... D11/5  
D437,111 S \* 2/2001 Bergh ..... D3/218  
D473,563 S \* 4/2003 Russell ..... D14/447  
D485,679 S \* 1/2004 Greene ..... D3/218  
D500,591 S \* 1/2005 Greene ..... D3/218  
D547,942 S \* 8/2007 Lavine ..... D3/218  
D560,068 S \* 1/2008 Dixon ..... D3/218  
D616,642 S \* 6/2010 Kim et al. .... D3/218  
D669,890 S \* 10/2012 Hopkins et al. .... D14/251  
D679,693 S \* 4/2013 Rashid ..... D14/250  
D691,991 S \* 10/2013 Mohan ..... D14/250  
D707,958 S \* 7/2014 Rubin ..... D3/216  
D717,538 S \* 11/2014 Bransfield et al. .... D3/218  
D720,924 S \* 1/2015 Emmitt ..... D3/218

\* cited by examiner

*Primary Examiner* — Catheri Oliver-Garcia

(74) *Attorney, Agent, or Firm* — McDonald Hopkins LLC

(57) **CLAIM**

The ornamental design for a cover for portable electronics, as shown and described.

**DESCRIPTION**

FIG. 1 is a front elevation view of a cover for portable electronics;  
FIG. 2 is a rear elevation view thereof;  
FIG. 3 is a left elevation view thereof;  
FIG. 4 is a right elevation view thereof;  
FIG. 5 is a top plan view thereof;  
FIG. 6 is a bottom plan view thereof;  
FIG. 7 is a perspective view showing the design in use; and,  
FIG. 8 is a reference view of the design shown in use.  
The broken lines shown in the figures are for illustrative purposes only and form no part of the claimed design.

**1 Claim, 3 Drawing Sheets**

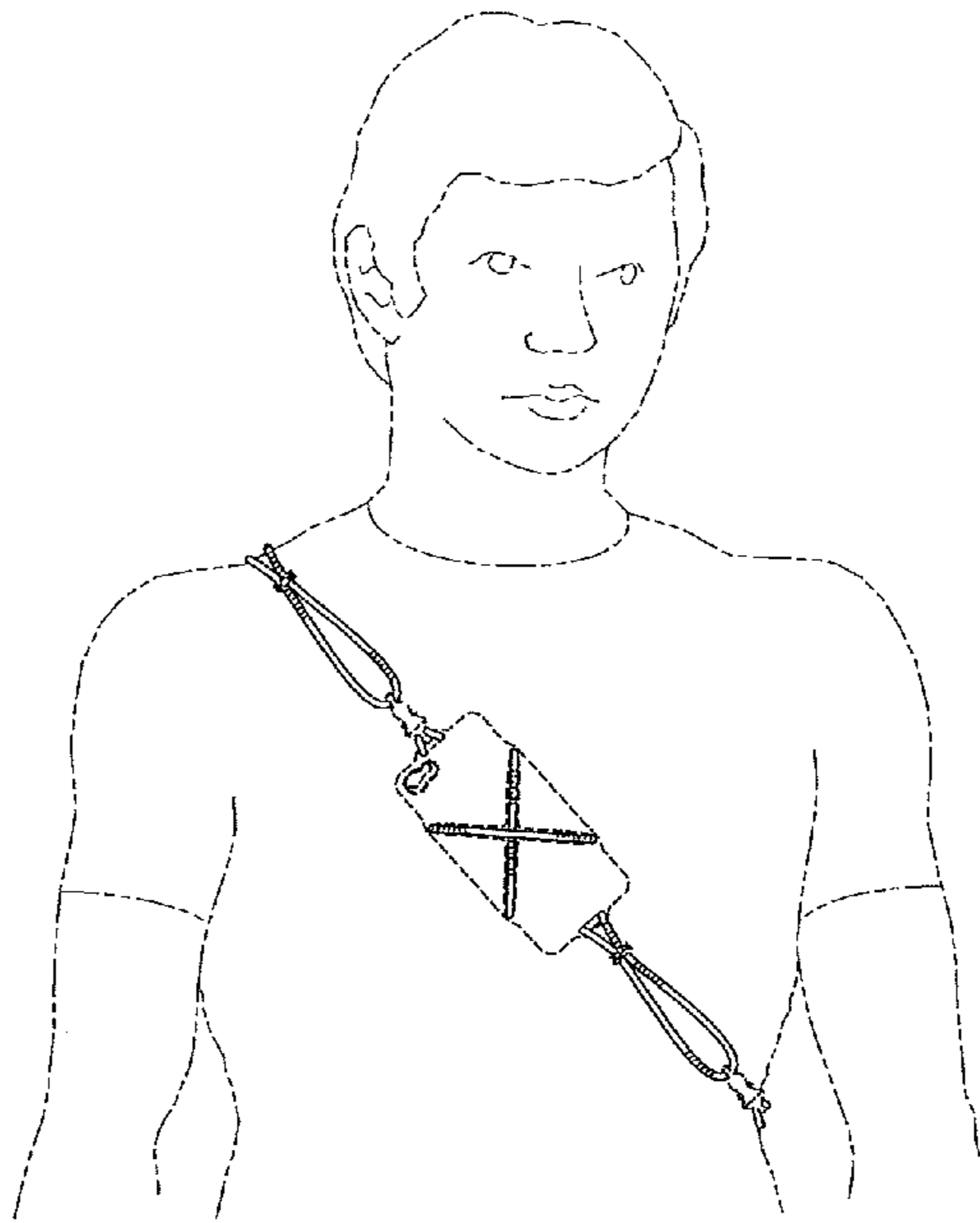


Fig.1

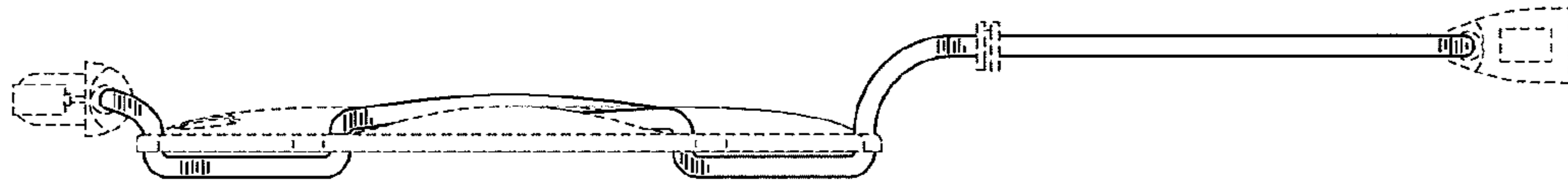


Fig.2

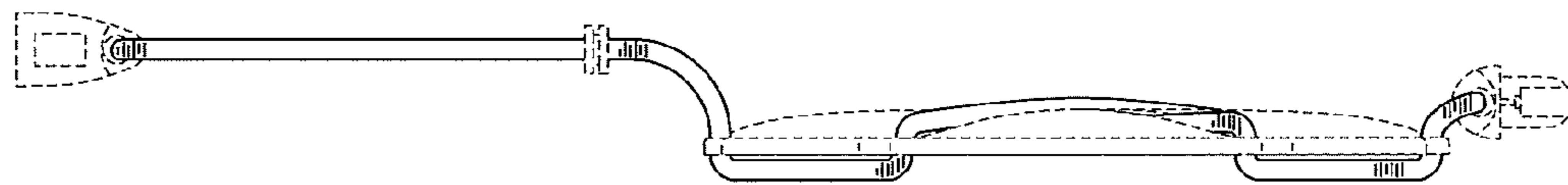


Fig. 3

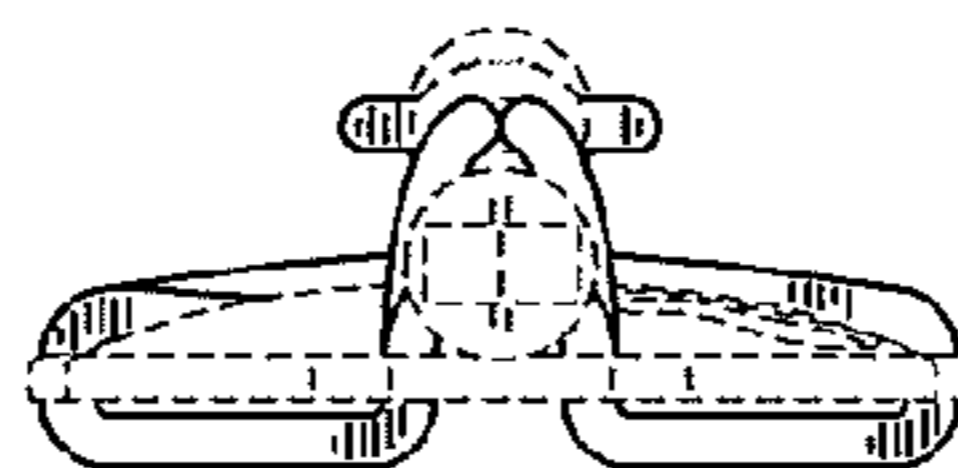


Fig. 4

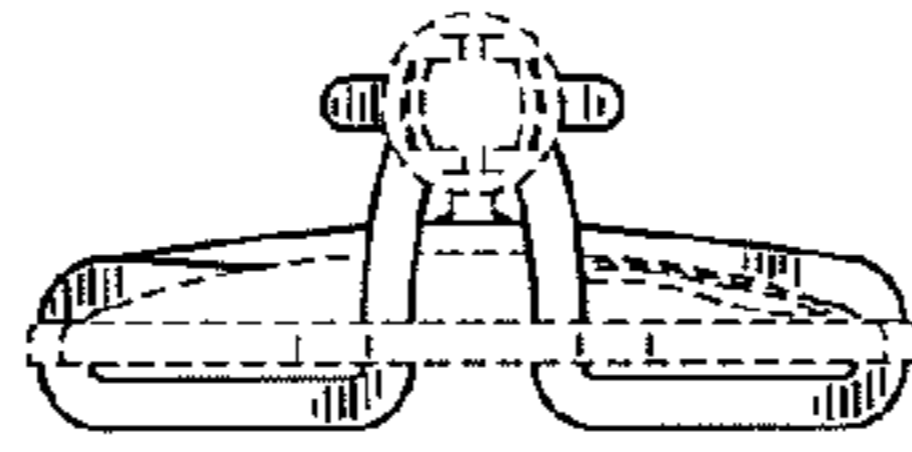


Fig. 5

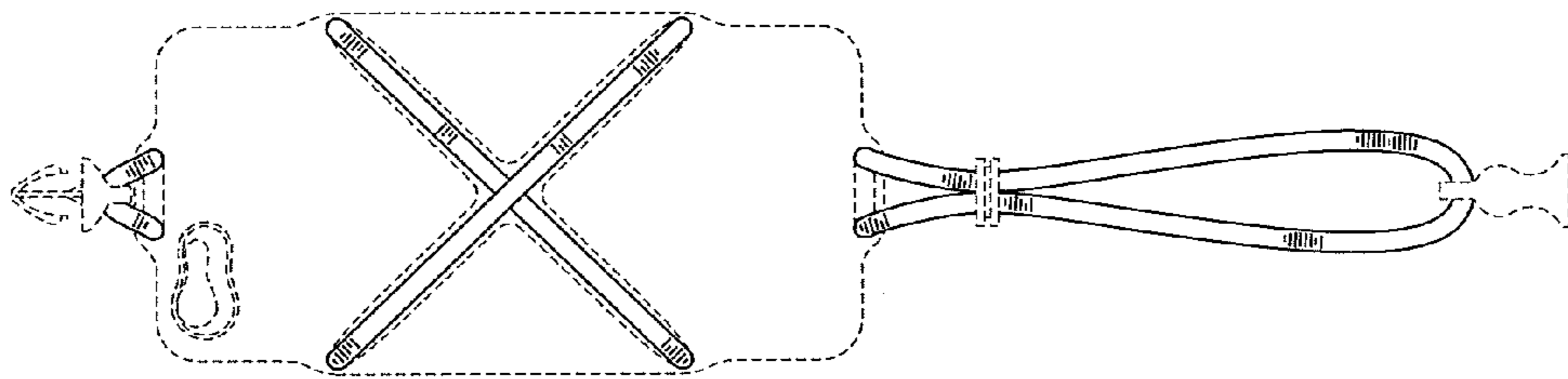


Fig. 6

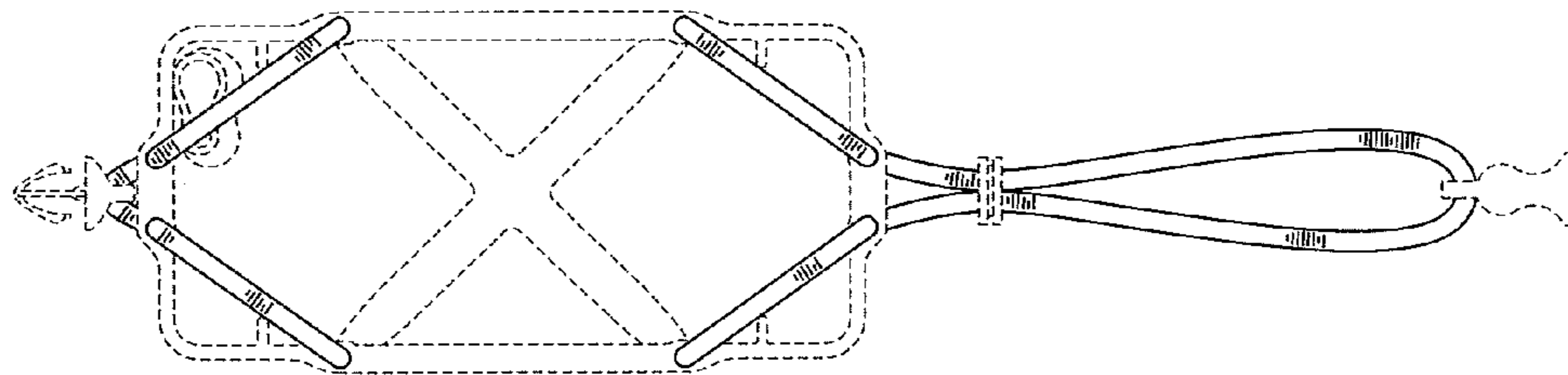


Fig. 7

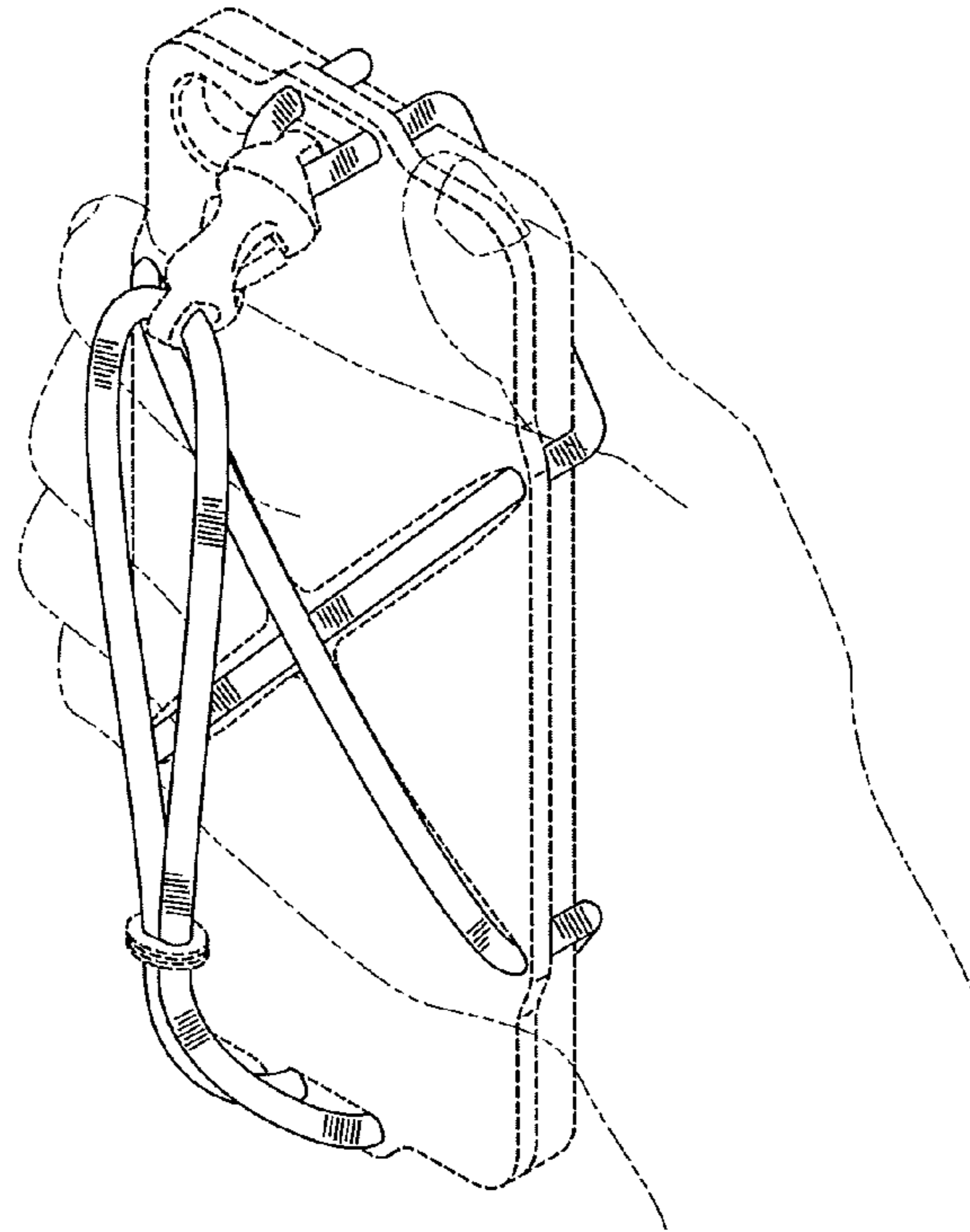


Fig. 8

