



US00D751283S

(12) **United States Design Patent**
Dandachli

(10) **Patent No.:** **US D751,283 S**
(45) **Date of Patent:** **** Mar. 15, 2016**

(54) **KEYCHAIN DEVICE**
(71) Applicant: **Boostnatics, LLC**, Austin, TX (US)
(72) Inventor: **Youssef Dandachli**, Austin, TX (US)
(73) Assignee: **Boostnatics**, Austin, TX (US)
(**) Term: **15 Years**

D543,692 S 6/2007 Lee
D574,607 S 8/2008 Kelleghan
D633,634 S 3/2011 van der Lande
D722,763 S 2/2015 Dandachli

* cited by examiner

(21) Appl. No.: **29/534,766**
(22) Filed: **Jul. 31, 2015**
(51) **LOC (10) Cl.** **03-01**
(52) **U.S. Cl.**
USPC **D3/211**; D14/435.1
(58) **Field of Classification Search**
USPC D11/1-2, 14, 26-29, 89-92, 44, 48, 81,
D11/99; 63/26-28, 32; D3/207-212; D8/16,
D8/38, 347, 348; 70/456 B, 457, 458;
206/37.1; D14/434, 435, 435.1, 436,
D14/439, 480.3, 480.1, 480.5, 480.7;
D24/174, 173, 480.3
CPC H04R 5/033; H04R 1/1058; H04R 1/1033
See application file for complete search history.

Primary Examiner — Ralf Seifert
(74) *Attorney, Agent, or Firm* — Pierson IP, PLLC

(57) **CLAIM**

The ornamental design for a keychain device, as shown and described.

DESCRIPTION

FIG. 1 is a perspective view of a keychain device showing our new design thereof;
FIG. 2 is a front view of the keychain device shown in FIG. 1;
FIG. 3 is a rear side view of the keychain device shown in FIG. 1;
FIG. 4 is a first side view of the keychain device shown in FIG. 1;
FIG. 5 is a second side view of the keychain device shown in FIG. 1;
FIG. 6 is a top view of the keychain device shown in FIG. 1;
FIG. 7 is a bottom view of the keychain device shown in FIG. 1; and,
FIG. 8 is a side view of the keychain device shown in FIG. 1. Elements shown in broken lines show environmental structures of the keychain device and form no part of our design.

(56) **References Cited**

U.S. PATENT DOCUMENTS

D309,830 S * 8/1990 Kraus D3/207
D396,473 S * 7/1998 Brito D14/249

1 Claim, 8 Drawing Sheets

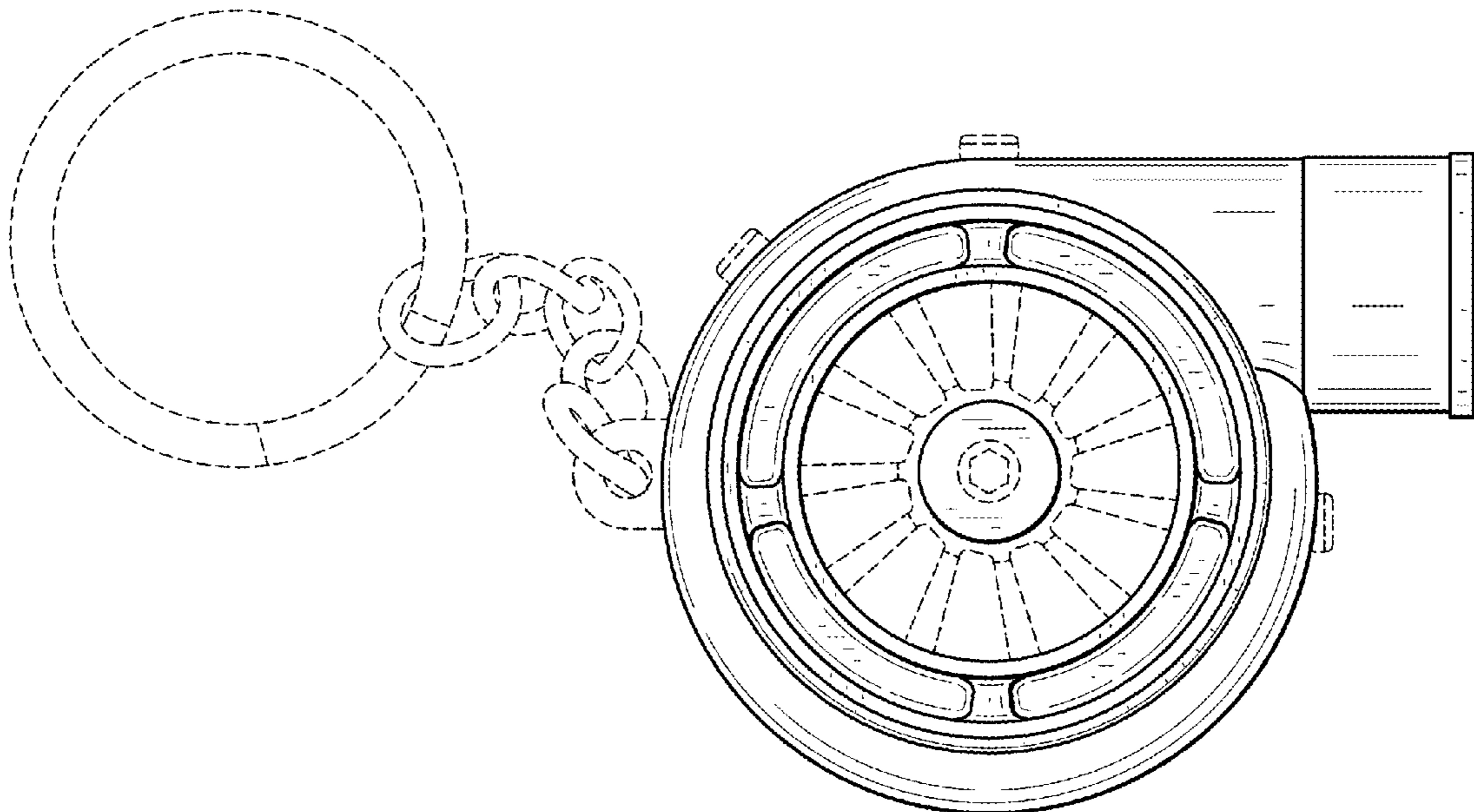


FIG. 1

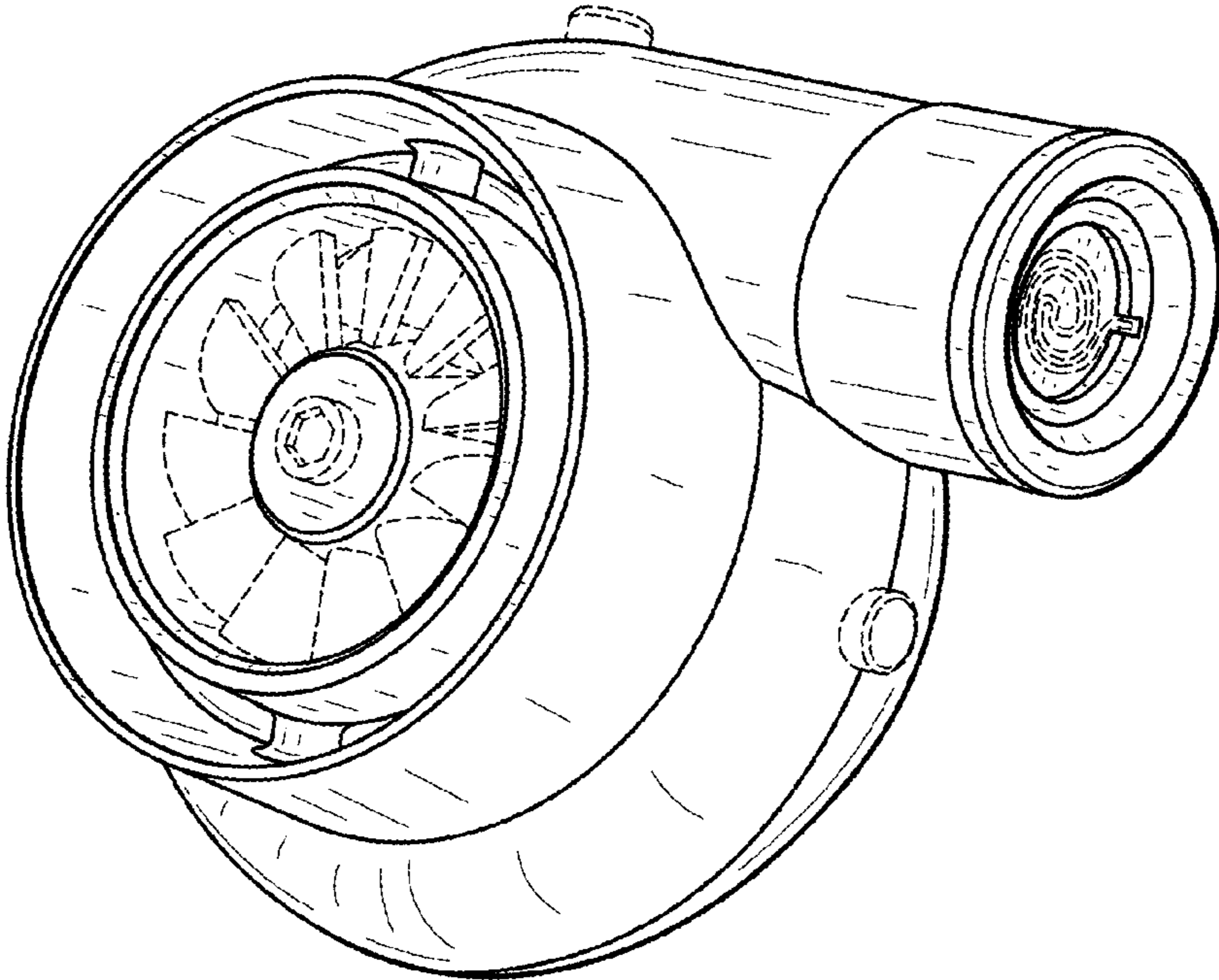


FIG. 2

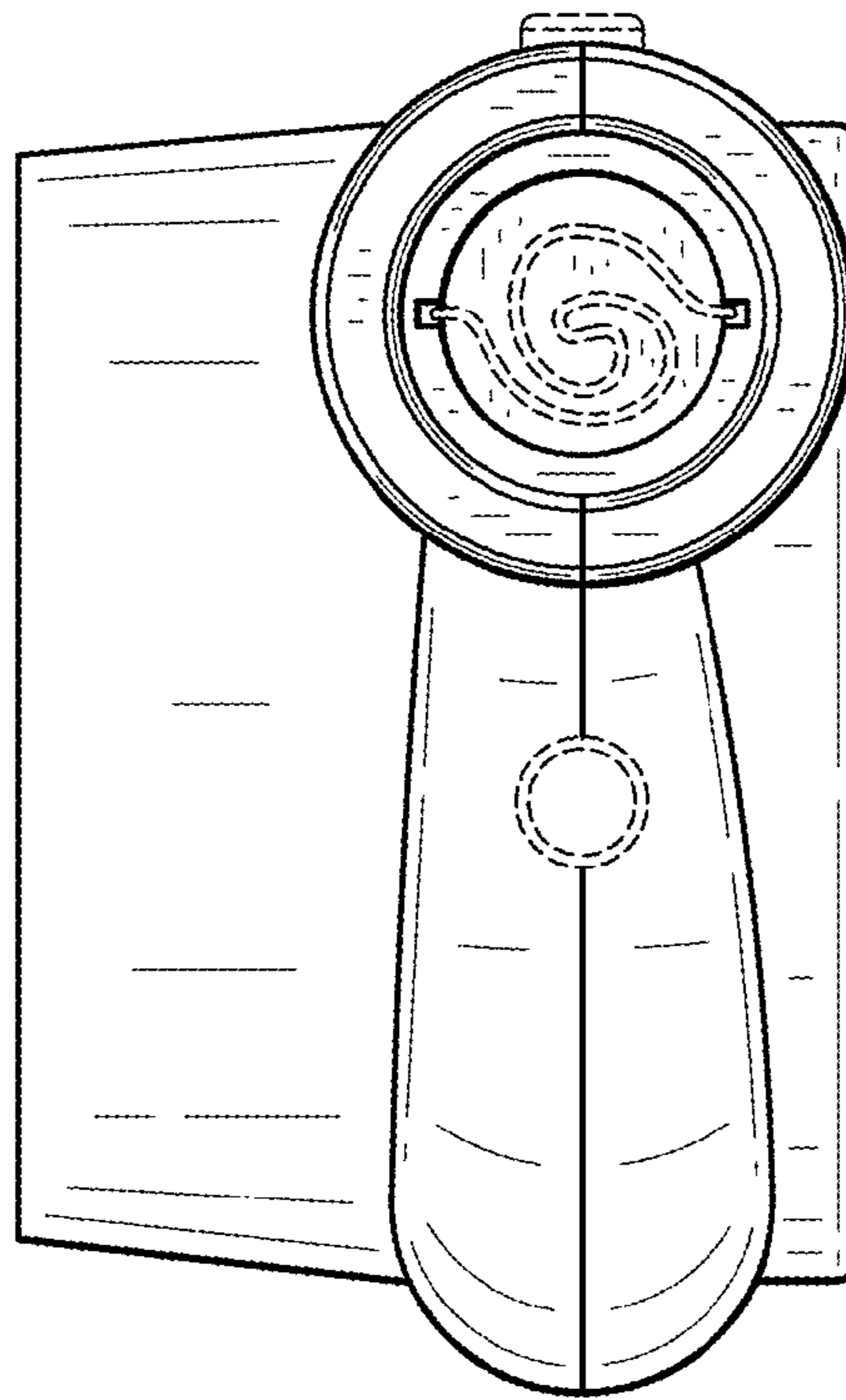


FIG. 3

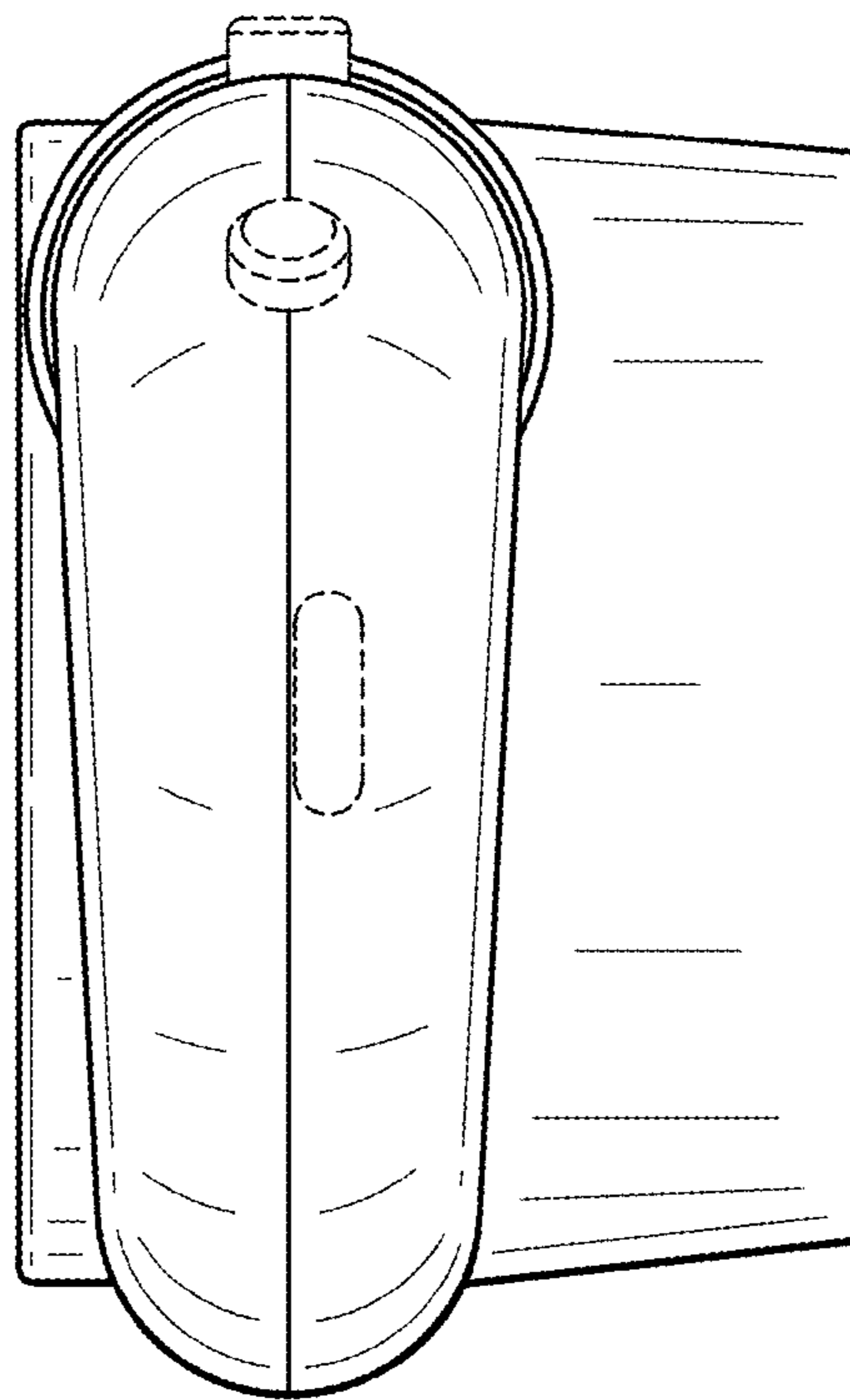


FIG. 4

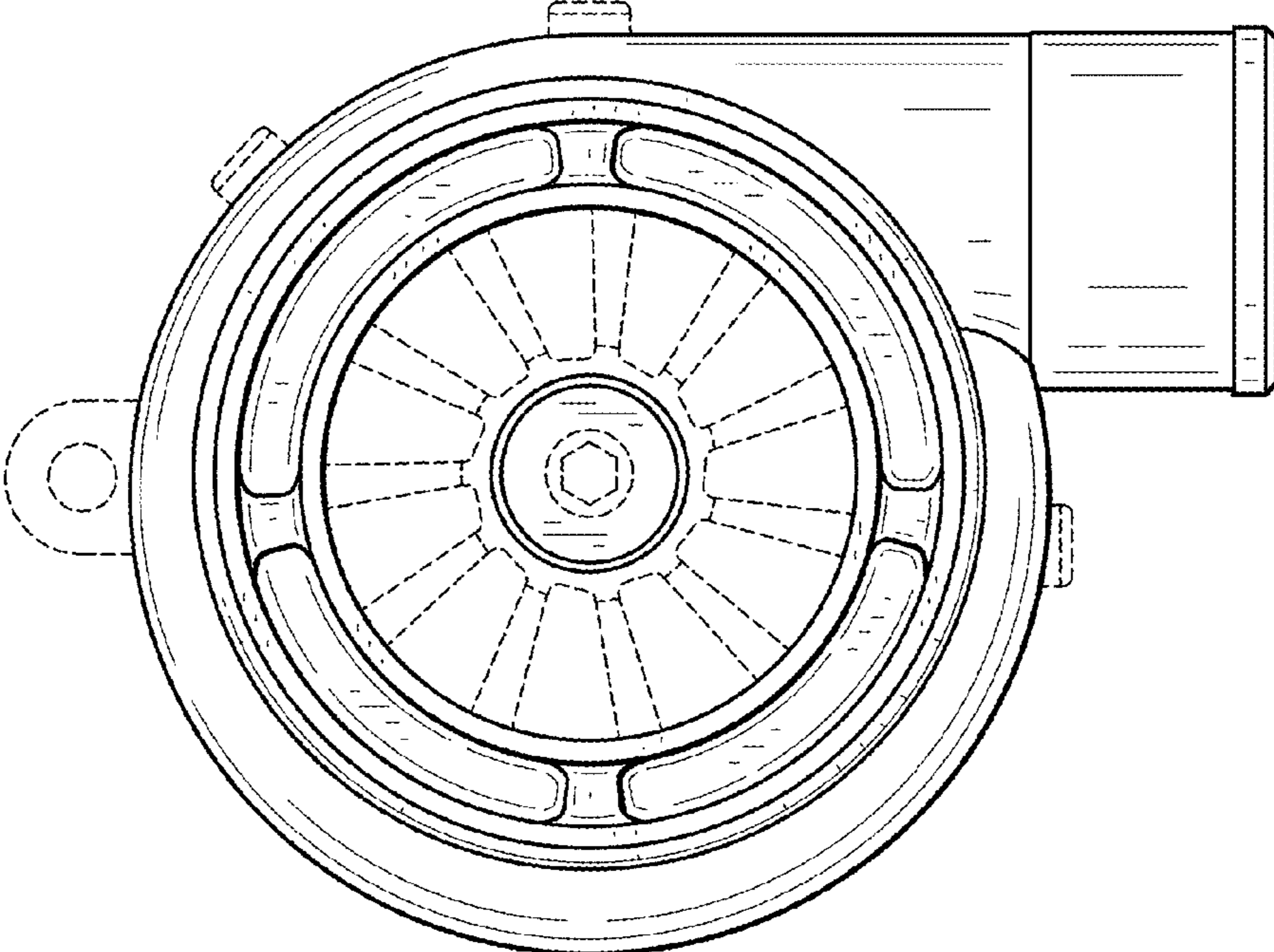


FIG. 5

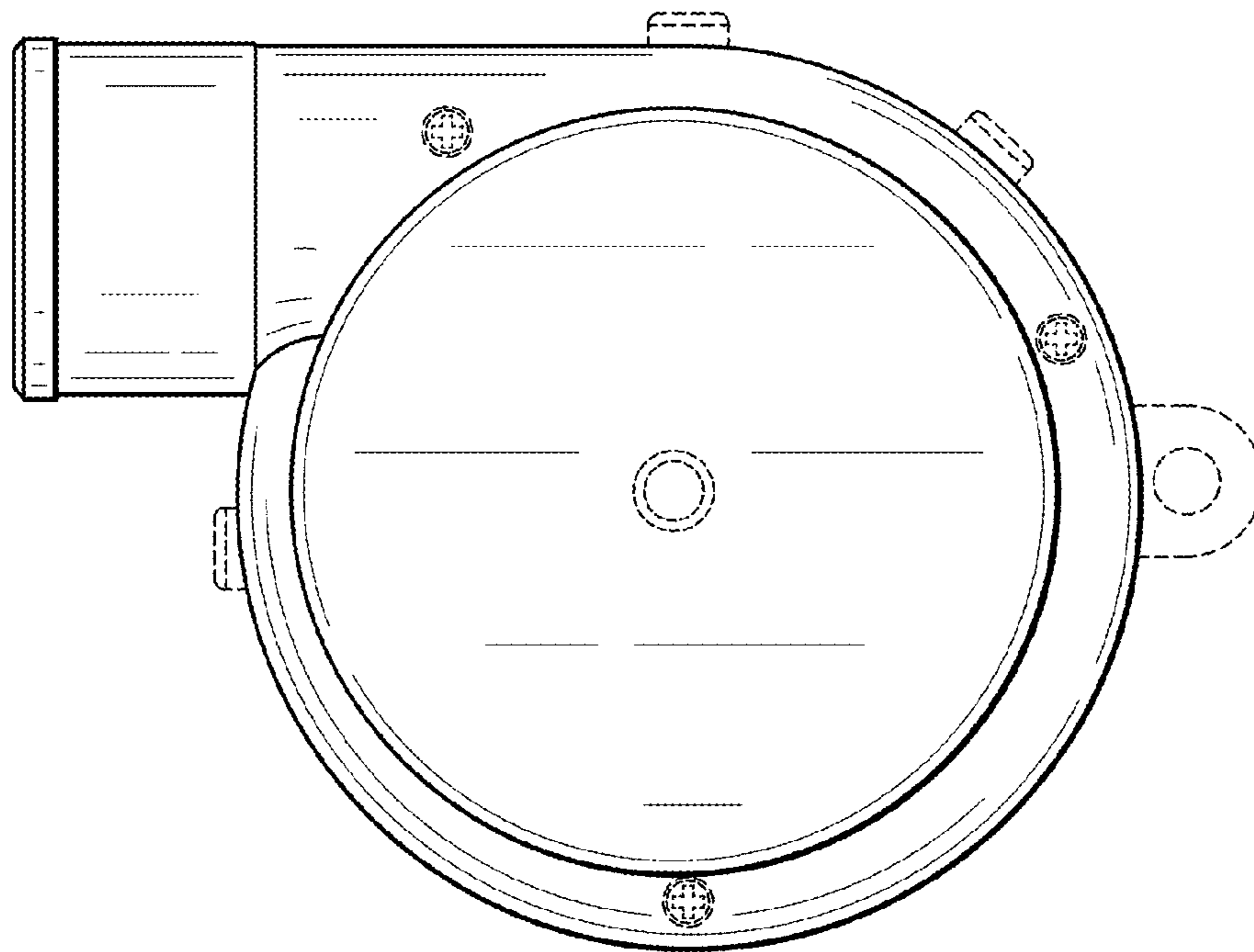


FIG. 6

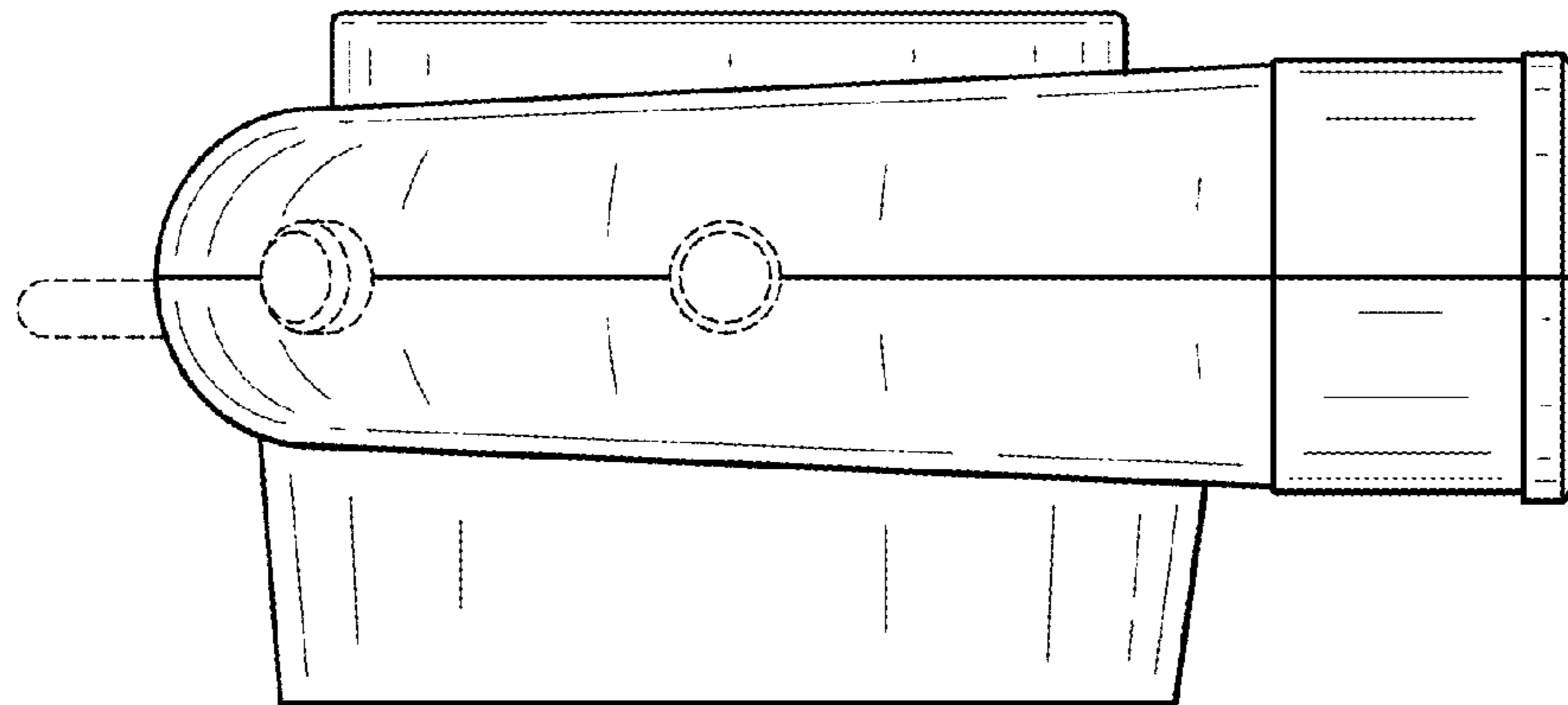


FIG. 7

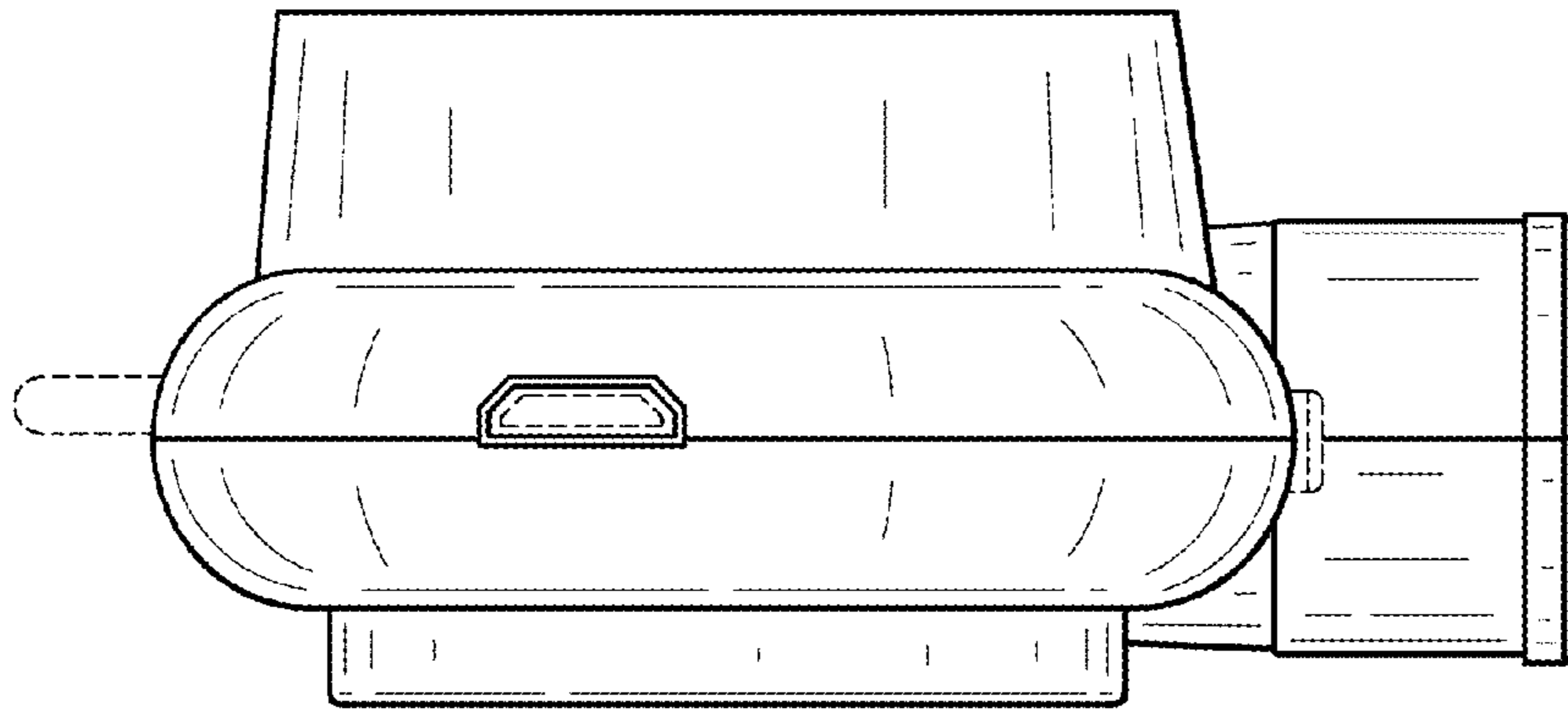


FIG. 8

