



US00D751277S

(12) **United States Design Patent**
Fishman

(10) **Patent No.:** **US D751,277 S**
(45) **Date of Patent:** **** Mar. 15, 2016**

- (54) **HAT**
- (71) Applicant: **Samuel J. Fishman**, Brookline, MA (US)
- (72) Inventor: **Samuel J. Fishman**, Brookline, MA (US)
- (**) Term: **14 Years**
- (21) Appl. No.: **29/479,473**
- (22) Filed: **Jan. 16, 2014**
- (51) **LOC (10) Cl.** **02-03**
- (52) **U.S. Cl.**
USPC **D2/895**
- (58) **Field of Classification Search**
USPC D2/865, 866, 867, 868, 869, 870, 871, D2/872, 873, 874, 875, 876, 878, 879, 881, D2/882, 883, 884, 889, 890, 891, 892, 893, D2/894, 895; 2/175.1, 195.1, 195.2, 195.3, 2/195.4, 195.6, 209.12, 209.13, 10, 181, 2/183, 422, 171, 172, 410, 425, 6.3, 6.4, 2/6.5, 6.7, 15, 431, 453, 454, 175.6, 411, 2/209.3; D11/200, 25, 86, 132; D21/386; D20/13, 22, 27
CPC A42B 1/248; A42B 1/062; A42B 1/063; A42B 1/064; A42B 1/22
See application file for complete search history.

(56) **References Cited**

U.S. PATENT DOCUMENTS

- D160,404 S * 10/1950 Levine D2/866
- 2,616,189 A * 11/1952 Smith 36/1
- 4,611,355 A * 9/1986 Galanto et al. 2/246
- D311,266 S * 10/1990 Parker D2/866
- 5,070,545 A * 12/1991 Tapia 40/329
- D324,954 S * 3/1992 Lewis D3/208
- D365,535 S * 12/1995 Muckler D11/132
- 5,477,629 A * 12/1995 Gleason, Jr. 40/329
- D384,304 S * 9/1997 Sheldon D11/132
- 5,829,063 A * 11/1998 Cheng 2/209.13
- D406,177 S * 2/1999 Milroy D20/27

- 5,956,759 A * 9/1999 Benedict 2/7
- D417,063 S * 11/1999 Henning D2/866
- 6,061,836 A * 5/2000 Peters 2/175.6
- 6,175,963 B1 * 1/2001 Loeffelholz 2/209.13
- D460,857 S * 7/2002 Milroy D2/976
- D474,000 S * 5/2003 O'Dell et al. D2/882
- 6,643,847 B1 * 11/2003 Dornak 2/195.1
- 6,729,058 B2 * 5/2004 Ferguson 40/636

(Continued)

OTHER PUBLICATIONS

Dressed for Success, Sam Fishman—Stede Threads (on-line), dated Jun. 26, 2014. Retrieved from Internet May 14, 2015, URL: <http://web.archive.org/web/20140626050254/http://www.improper.com/features/dressed-for-success/P3/> (2 pages).*

(Continued)

Primary Examiner — Karen E. Eldridge Powers
Assistant Examiner — Kimberly Barnes
(74) *Attorney, Agent, or Firm* — Steven N. Fox, Esq.

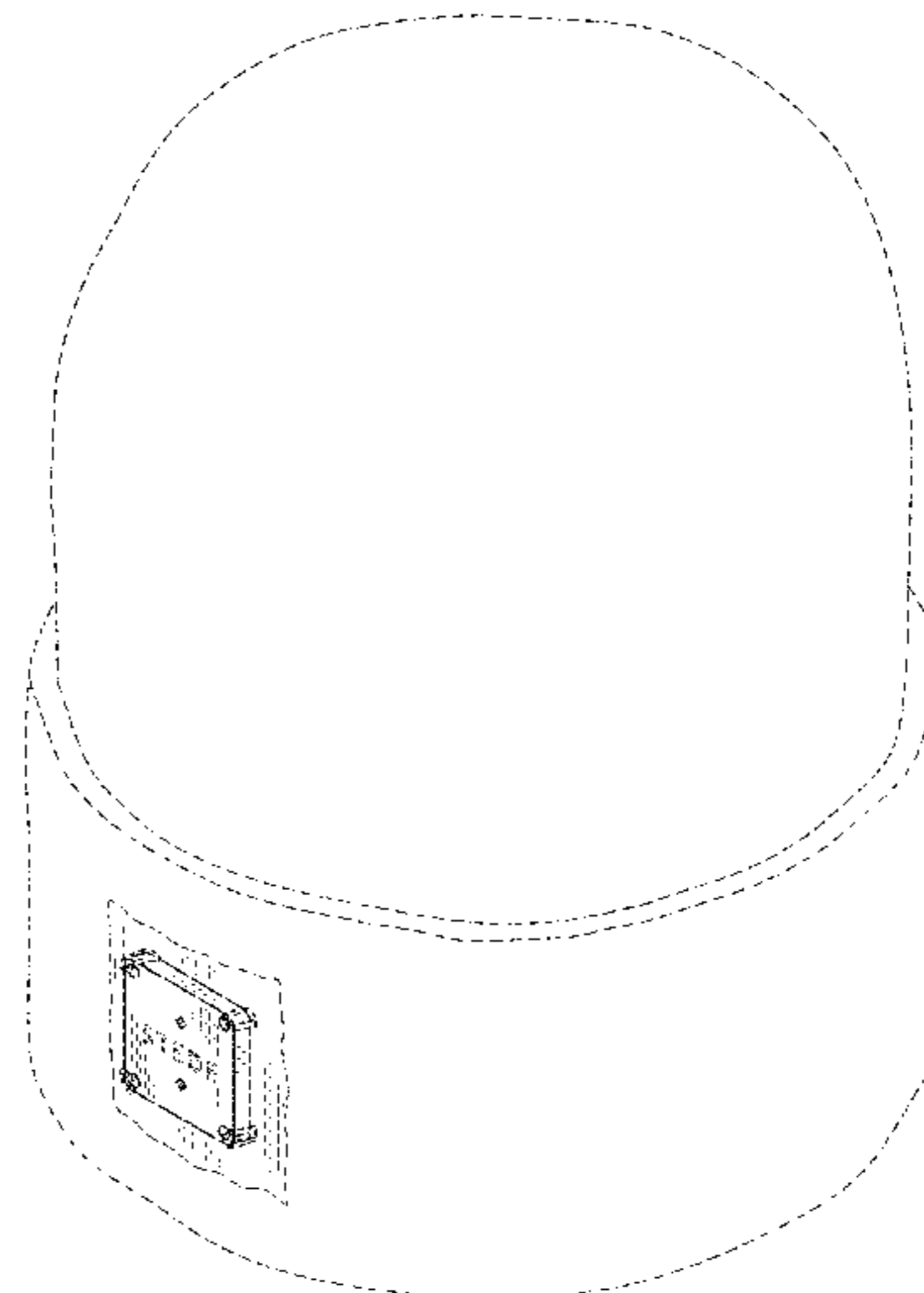
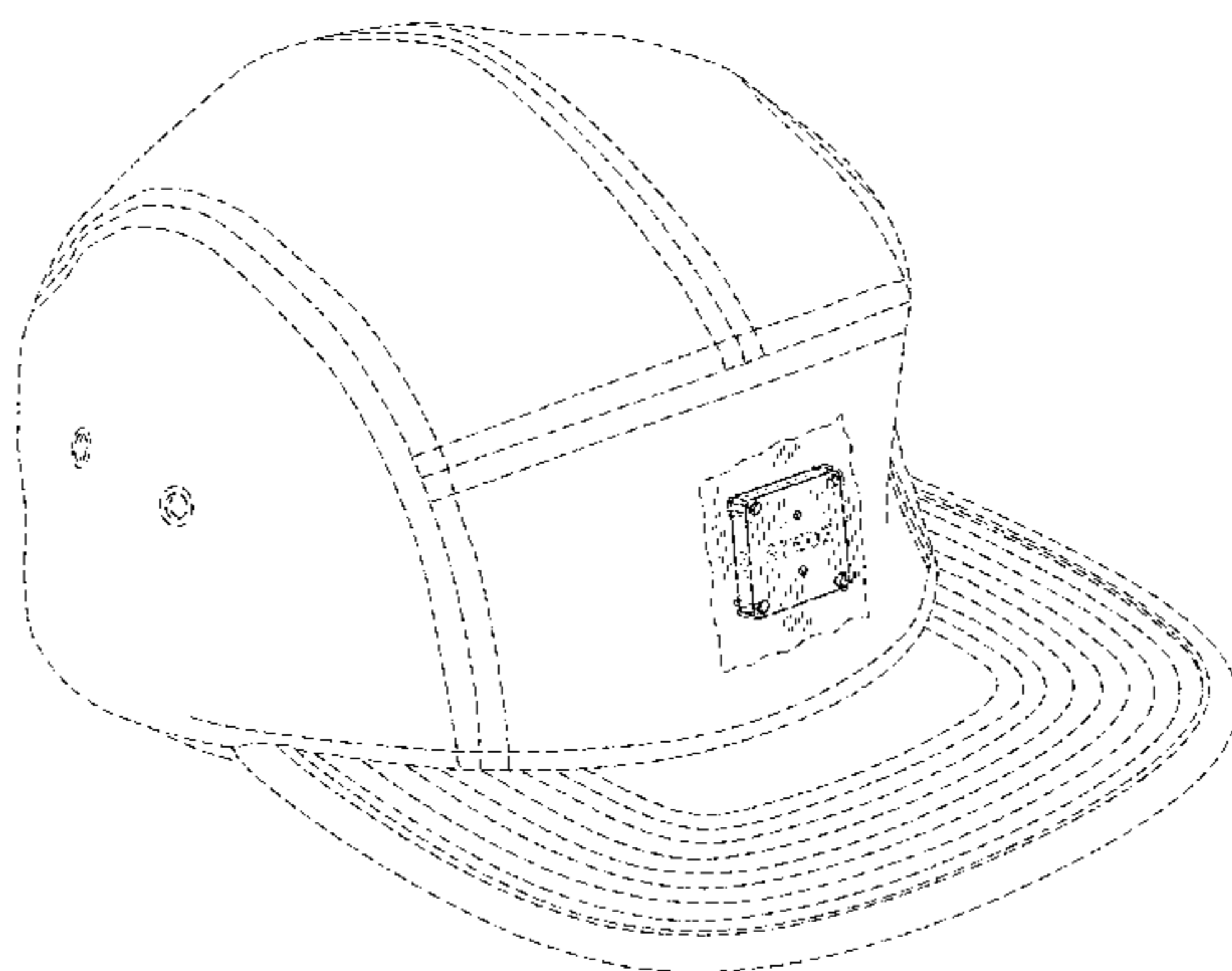
(57) **CLAIM**

The ornamental design for a hat, as shown and described.

DESCRIPTION

FIG. 1 is a top perspective view of a hat according to a first embodiment of the present invention;
FIG. 2 is a front view thereof;
FIG. 3 is a left side view thereof;
FIG. 4 is a right side view thereof;
FIG. 5 is a top view thereof;
FIG. 6 is a top perspective view of a hat according to a second embodiment of the present invention;
FIG. 7 is a front view thereof;
FIG. 8 is a left side view thereof;
FIG. 9 is a right side view thereof;
FIG. 10 is a top view thereof; and,
FIG. 11 is a bottom view thereto.
The broken lines in the drawings are environmental and form no part of the claimed design.

1 Claim, 11 Drawing Sheets



(56)

References Cited

U.S. PATENT DOCUMENTS

D510,471	S *	10/2005	Yan	D2/882
D543,014	S *	5/2007	Sharpe et al.	D2/884
D557,483	S *	12/2007	Young et al.	D2/946
D603,585	S *	11/2009	Capriola	D2/866
D608,531	S *	1/2010	Kronenberger	D2/891
D614,380	S *	4/2010	Lam et al.	D2/882
D620,235	S *	7/2010	Kronenberger	D2/895
D641,795	S *	7/2011	Gamboa	D20/43
D647,286	S *	10/2011	Malek	D2/866
8,496,184	B2 *	7/2013	Loi et al.	235/492
D694,494	S *	12/2013	Thorsen et al.	D2/882
D724,293	S *	3/2015	Barber	D2/853
2008/0141567	A1 *	6/2008	Chen	40/1.5
2010/0313334	A1 *	12/2010	Moy	2/209.13
2011/0126343	A1 *	6/2011	Tualla et al.	2/209.13

OTHER PUBLICATIONS

Emerson-Born Stede Threads Recycles Old Skate Decks Into Hats (on-line), published May 29, 2014. Retrieved from Internet May 14,

2015, URL: <http://boston.racked.com/2014/5/29/7601267/behind-the-brand-stede> (1 page).*

Journal—Norwood: Signature Wood Label (on-line), various dates in journal, Dec. 11, 2013 and prior. Several hats and labels shown, refer to arrows on pp. 4-6. Retrieved from Internet May 14, 2015, URL: <http://www.norwoodusa.com/journal/> (6 pages).*

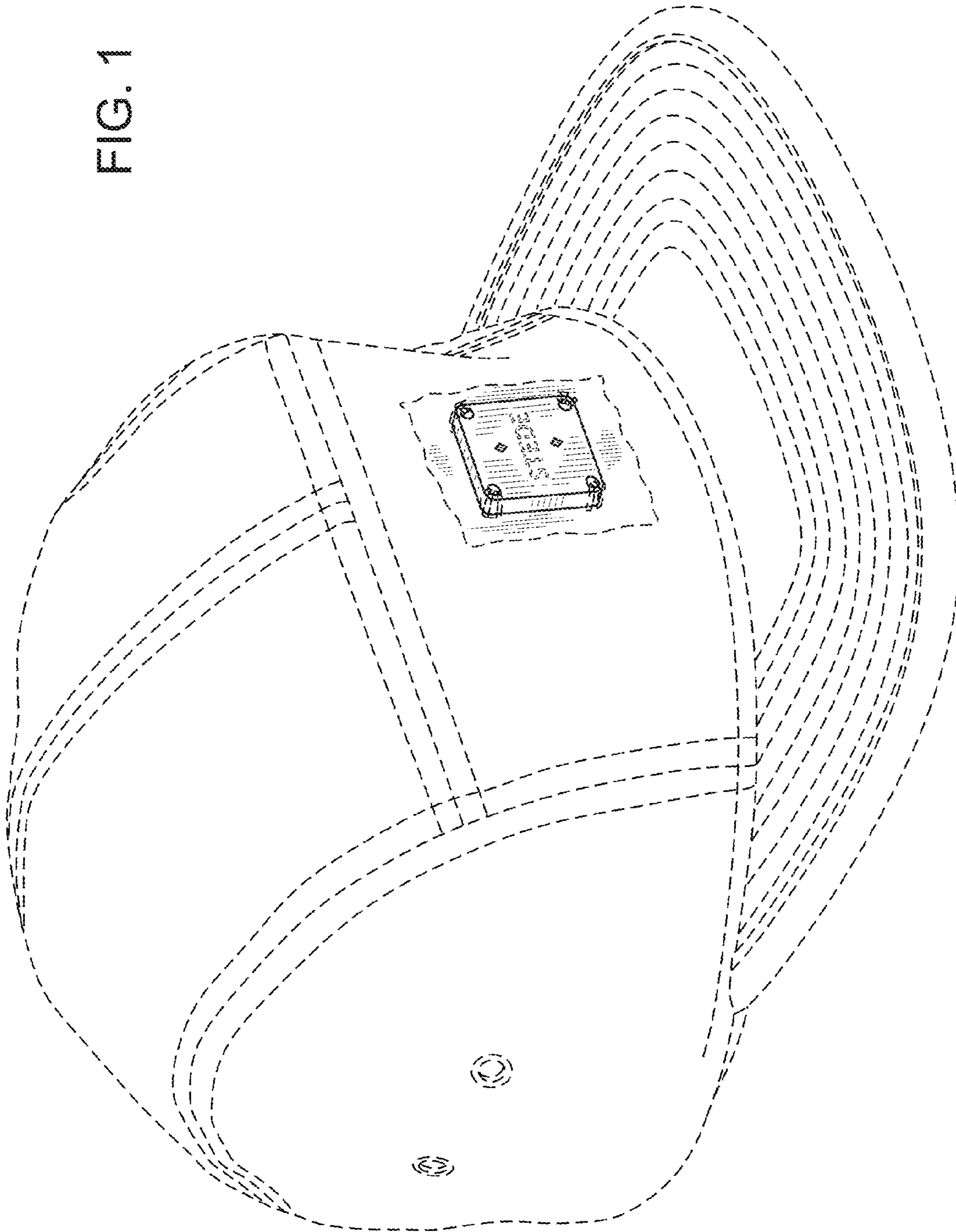
Norwood 3M Thinsulate Orange Beanie (on-line), dated Oct. 29, 2014. Retrieved from Internet May 14, 2015, URL: <https://web.archive.org/web/20141029140211/http://www.norwoodusa.com/store/norwood-3m-thinsulate-beanie> (2 pages).*

TreasureNet—old spoon (on-line), estimated to be early 1900s. Retrieved from Internet May 14, 2015, URL: <http://www.treasurenet.com/forums/what/397325-old-spoon-stallion-horse-head-makers-mark.html> (3 pages).*

Stede Threads—Hats (on-line), dated Jan. 30, 2014. Retrieved from Internet May 14, 2015, URL: <https://web.archive.org/web/20140130220408/http://www.stedethreads.com/> (1 page).*

* cited by examiner

FIG. 1



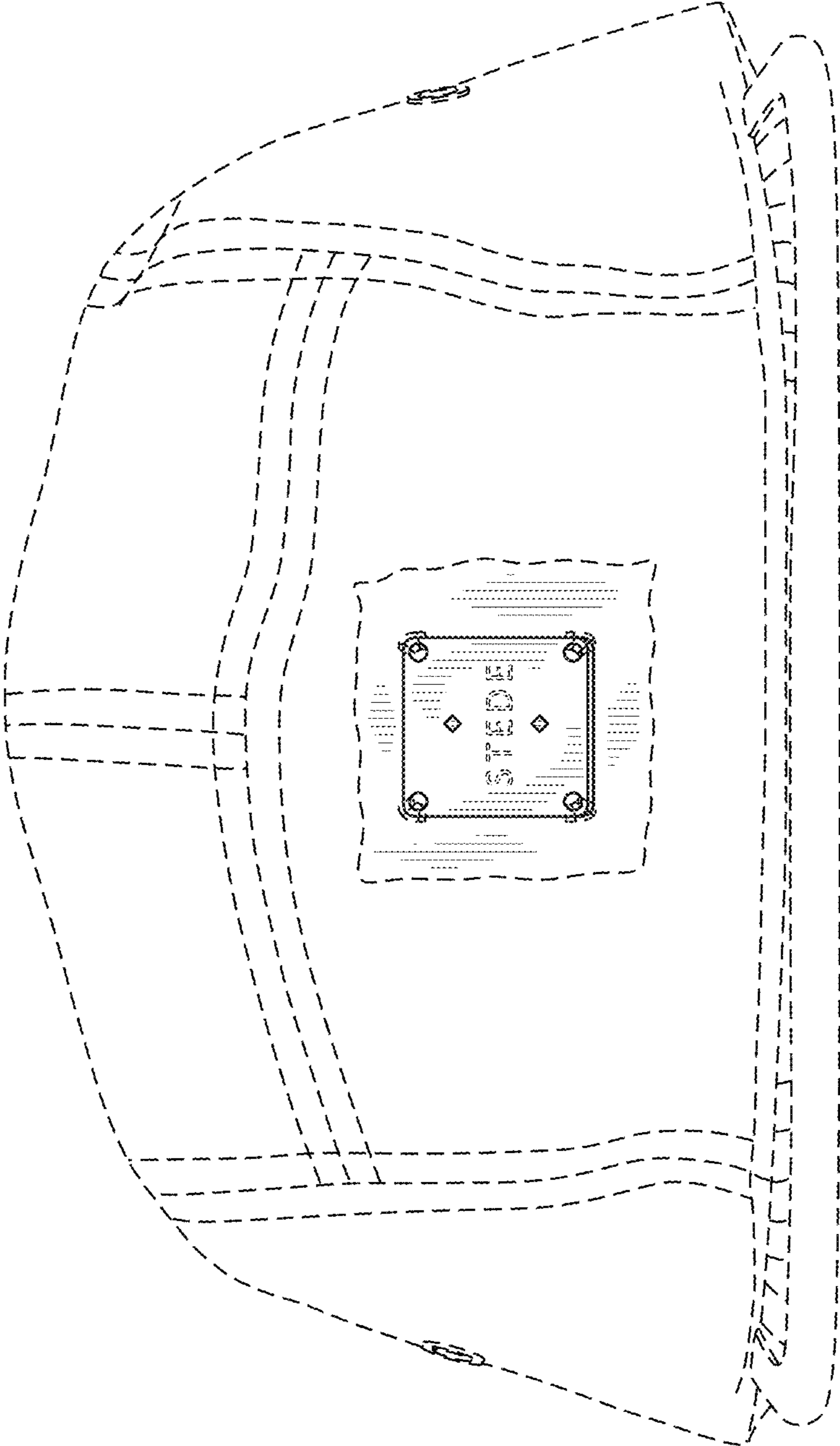
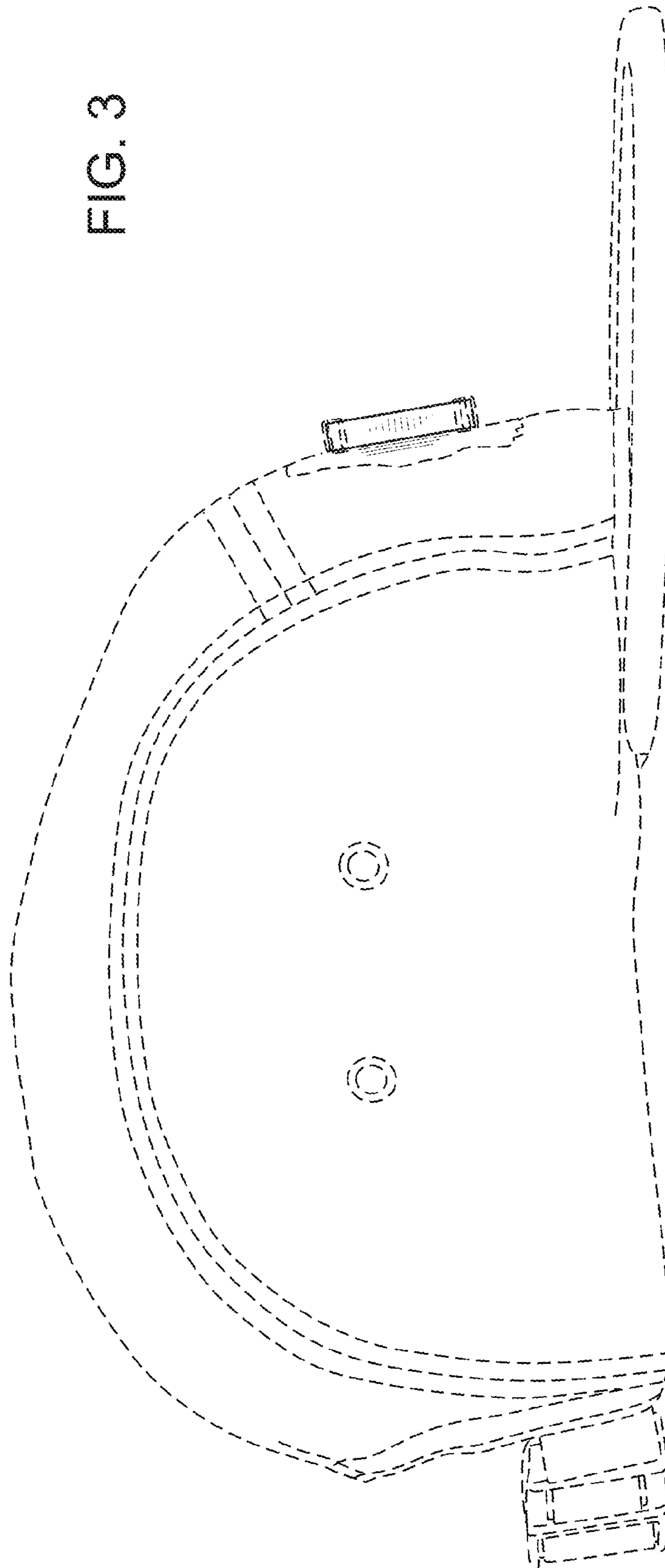


FIG. 2

FIG. 3



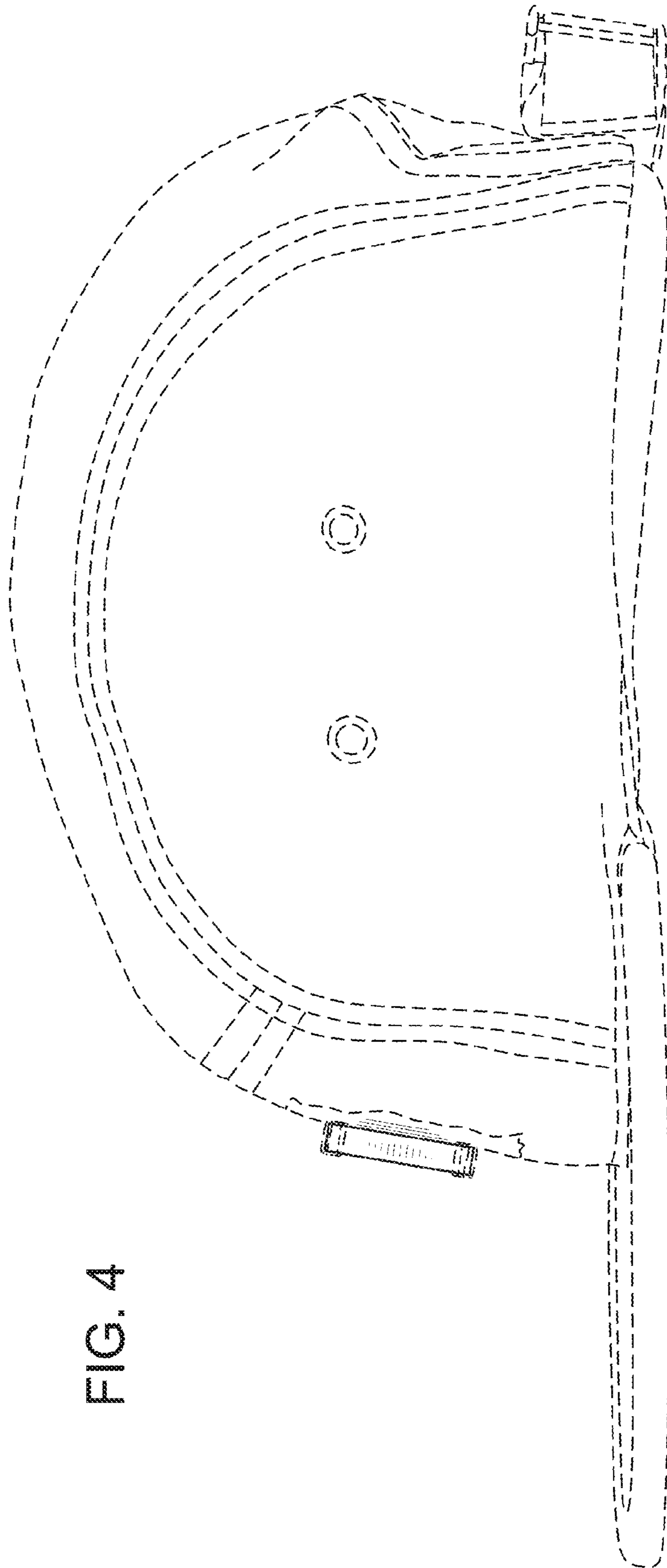


FIG. 4

FIG. 5

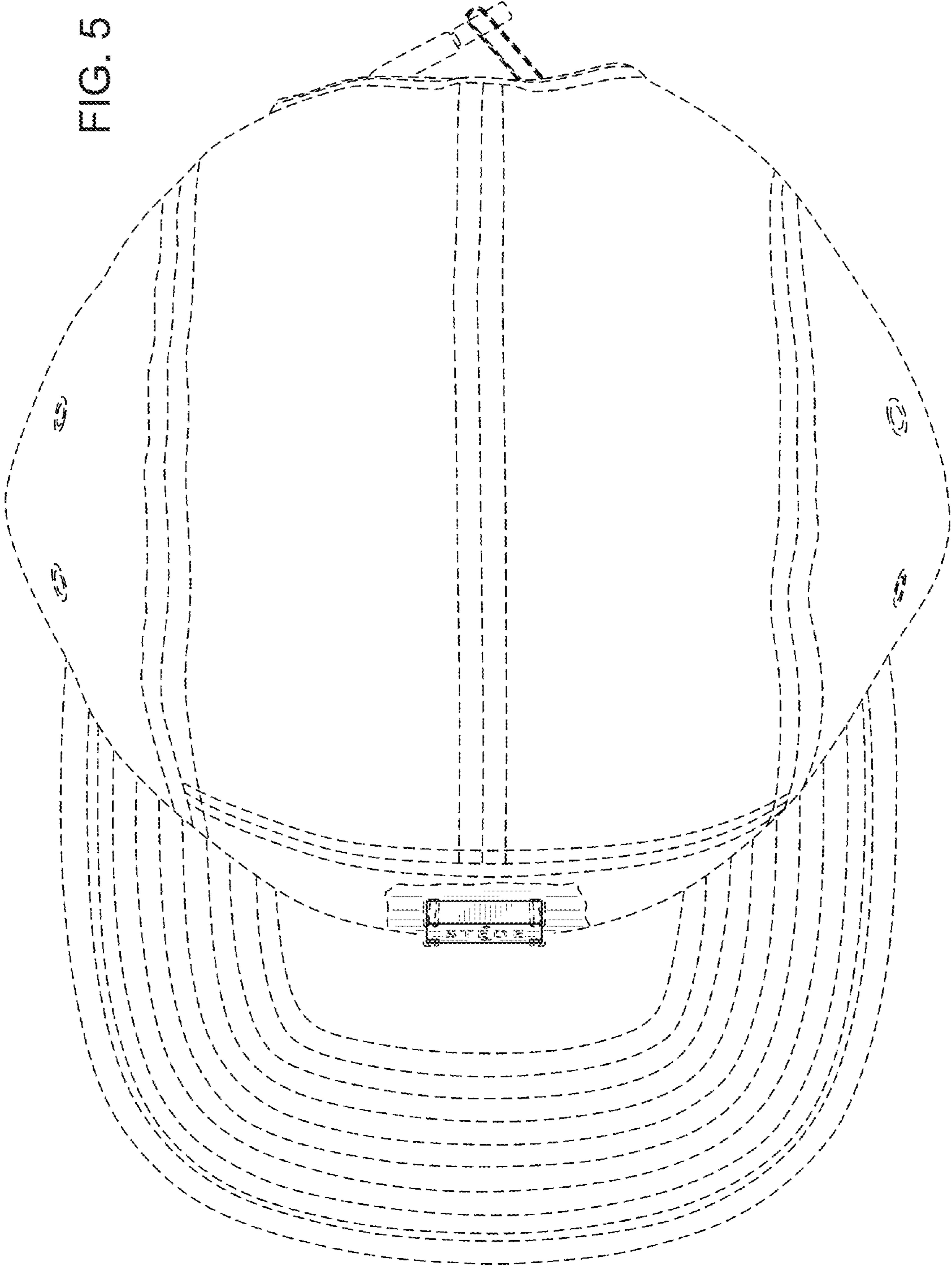
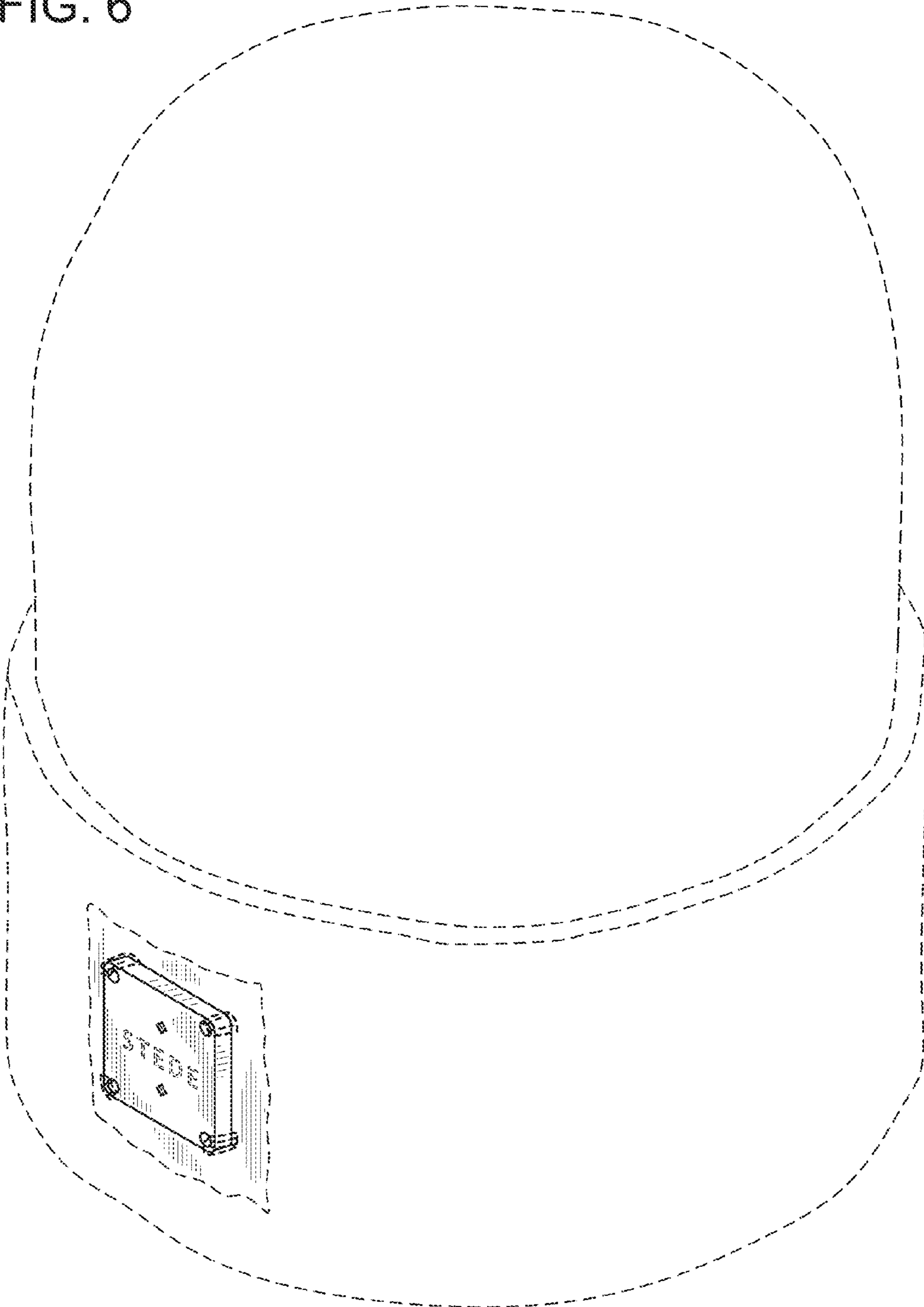


FIG. 6



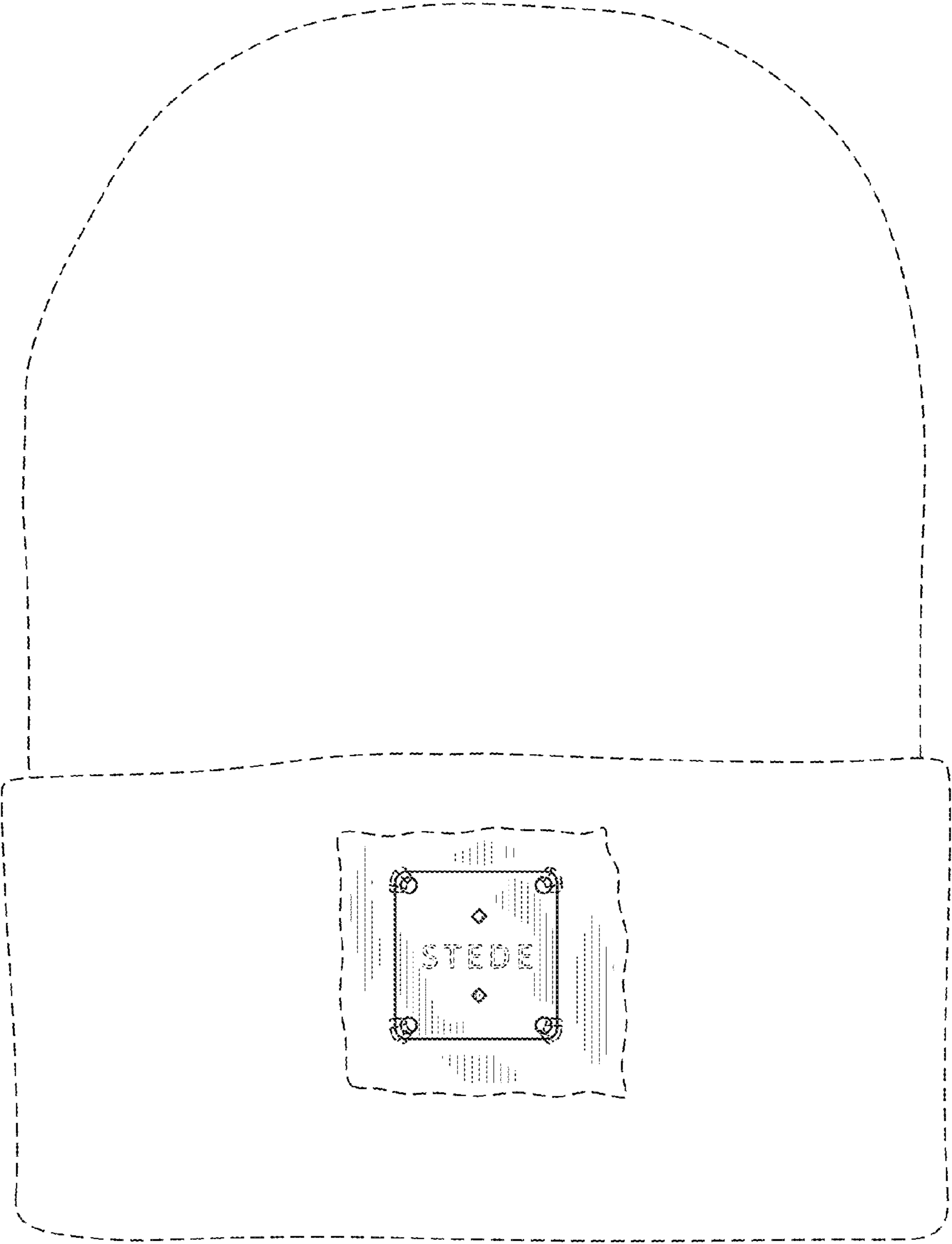


FIG. 7

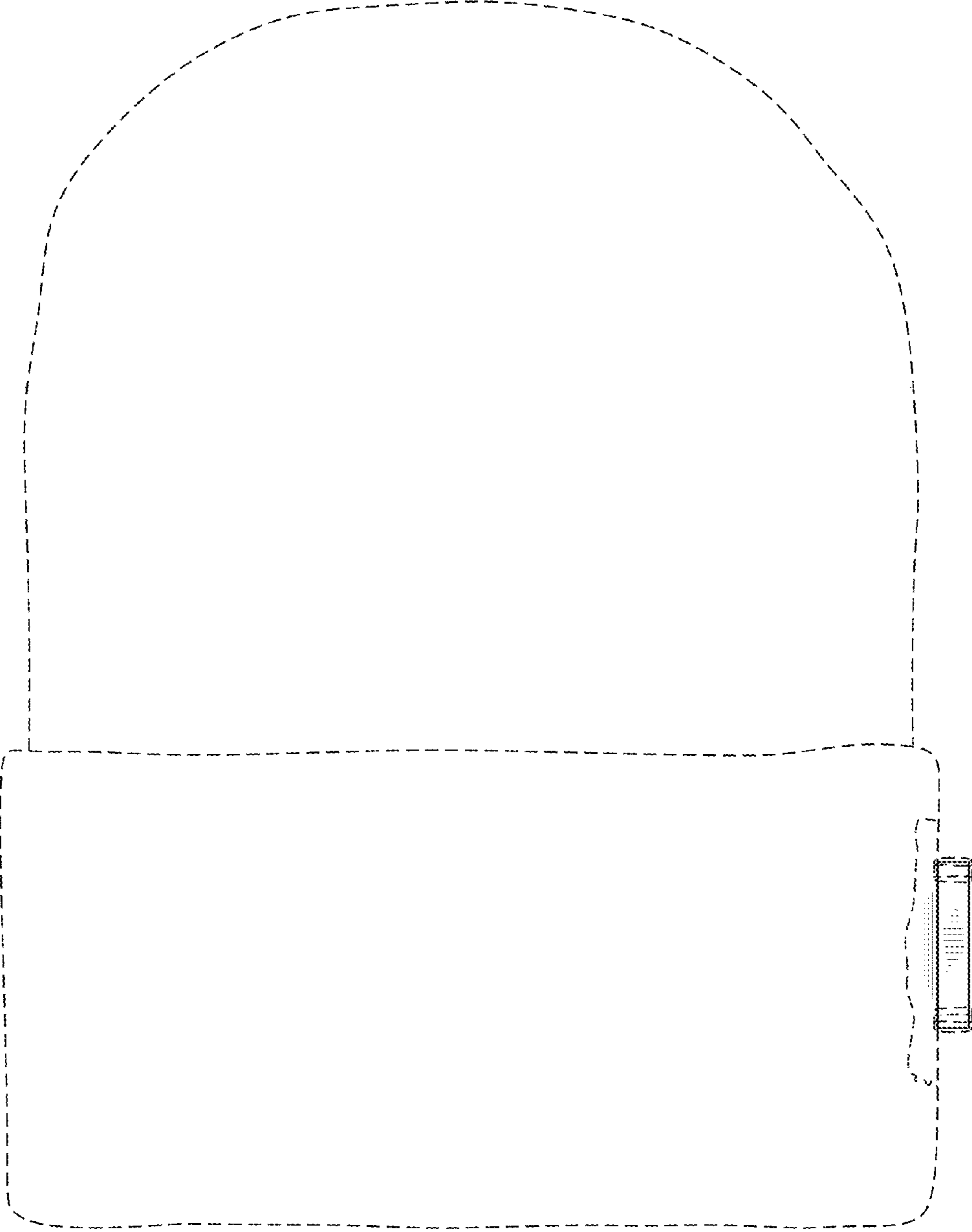


FIG. 8

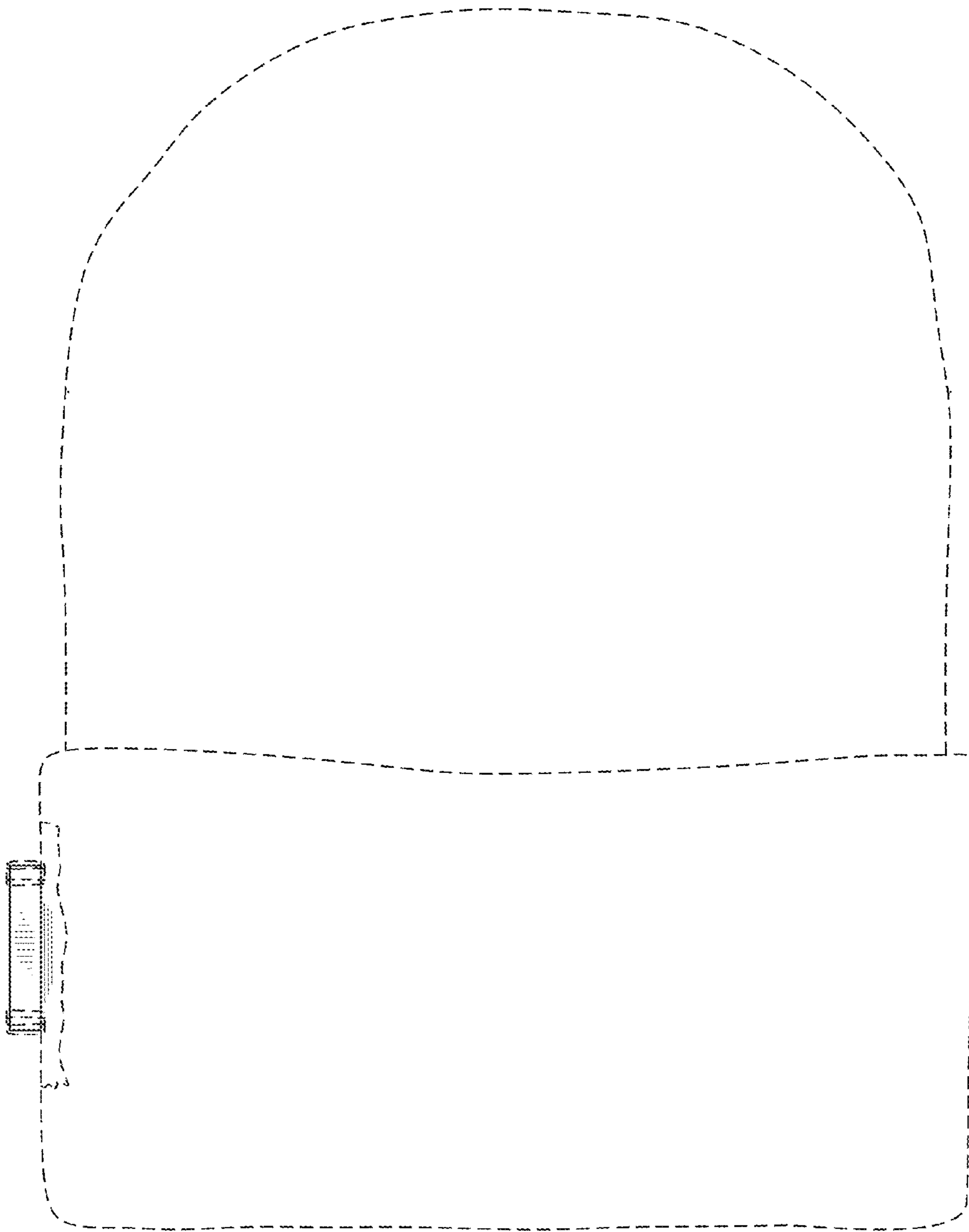


FIG. 9

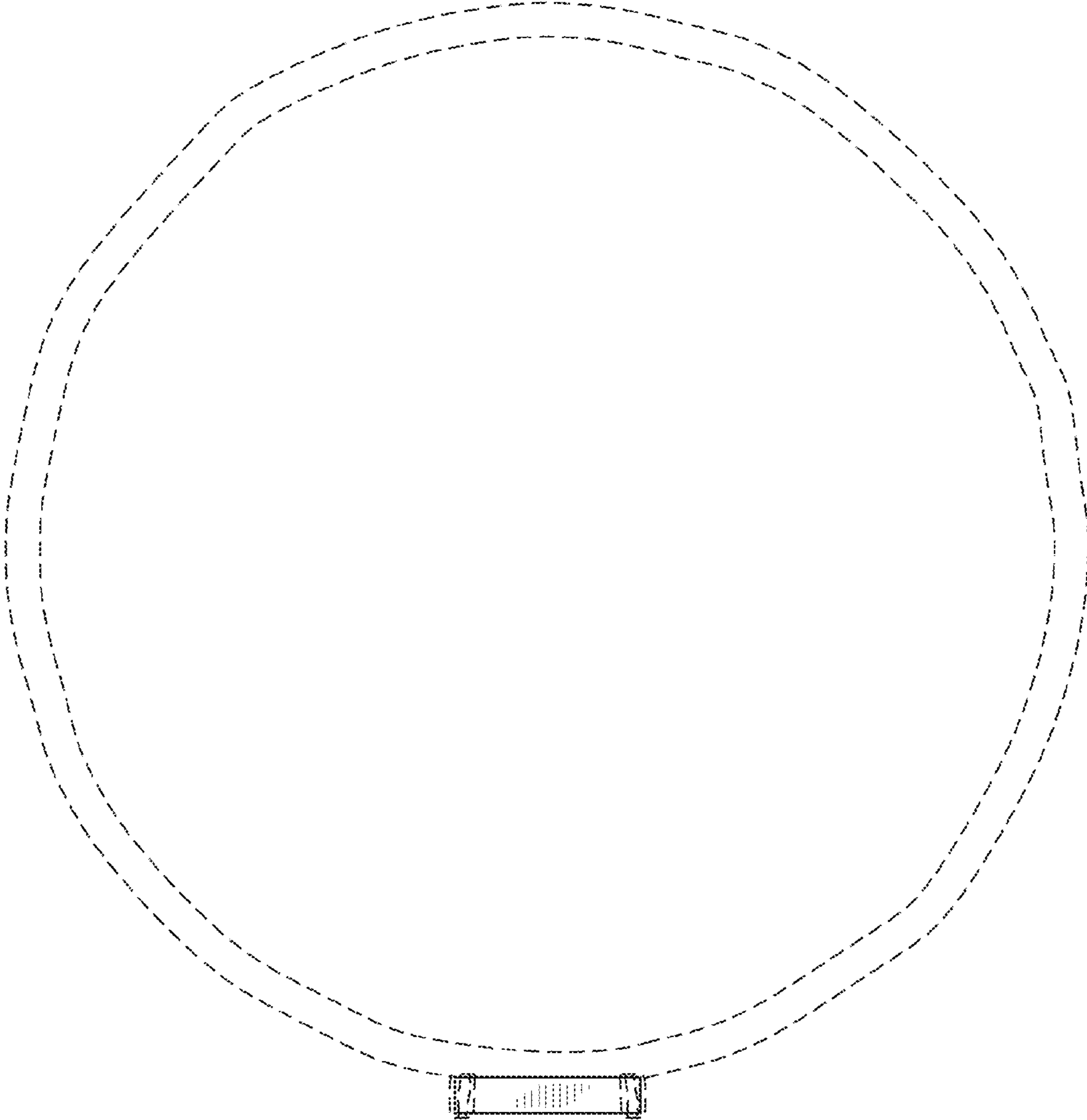


FIG. 10

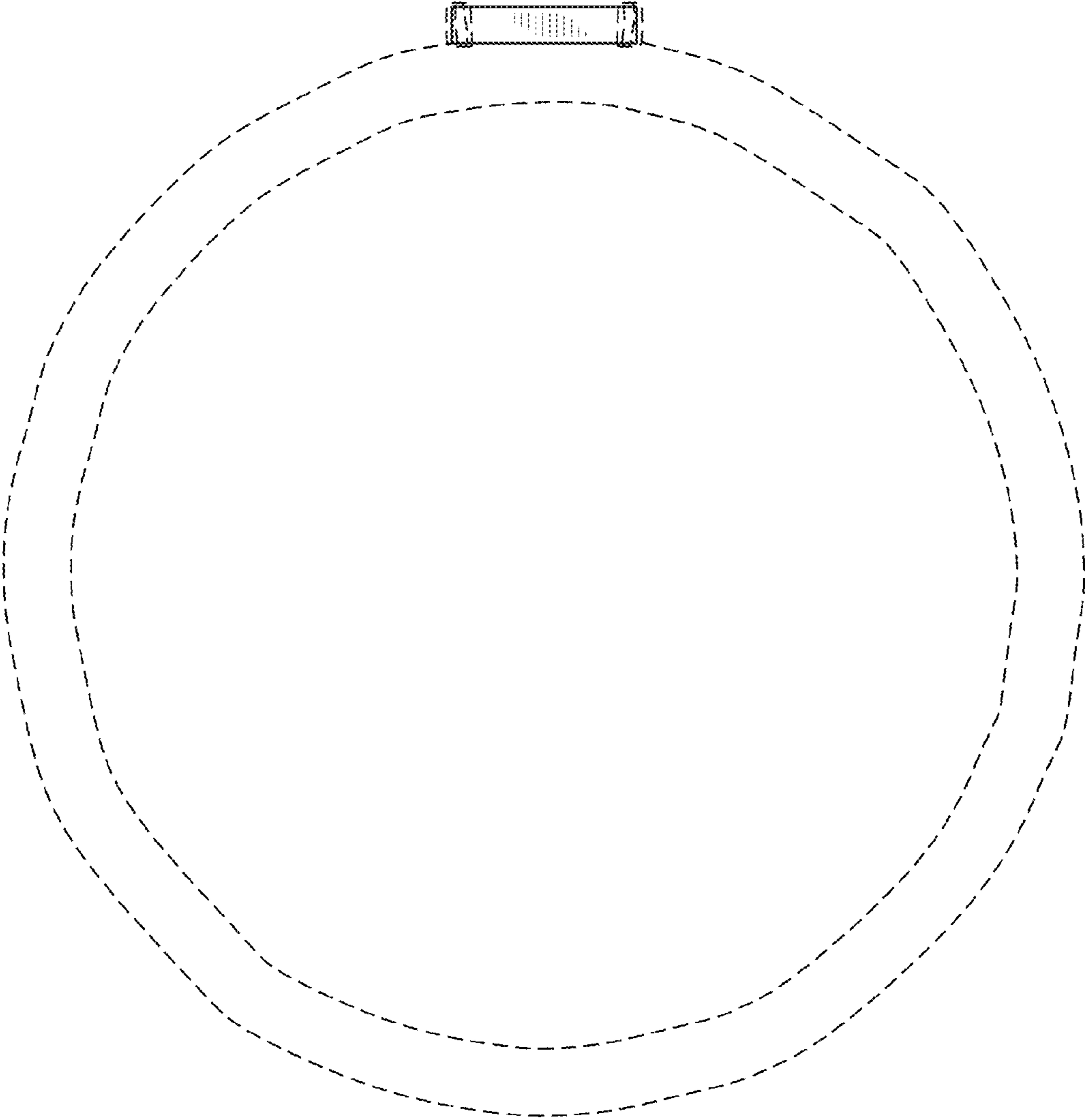


FIG. 11