



US00D751274S

(12) **United States Design Patent**
Moore

(10) **Patent No.:** **US D751,274 S**
(45) **Date of Patent:** **** Mar. 15, 2016**

- (54) **ADJUSTABLE PANTS**
- (71) Applicant: **Youth Outdoors Unlimited, LLC**,
Colorado Springs, CO (US)
- (72) Inventor: **Jack W. Moore**, Cascade, CO (US)
- (73) Assignee: **Youth Outdoors Unlimited, LLC**,
Colorado Springs, CO (US)
- (**) Term: **14 Years**
- (21) Appl. No.: **29/491,118**
- (22) Filed: **May 16, 2014**
- (51) **LOC (10) Cl.** **02-02**
- (52) **U.S. Cl.**
USPC **D2/742**
- (58) **Field of Classification Search**
USPC D2/742, 743, 705, 712, 738, 700;
2/227, 235, 219, 236, 220, 221, 269,
2/237
CPC A41D 1/00; A41D 1/06; A41D 1/14;
A41D 1/18; A41D 1/20; A41F 1/00; A41F
1/004; A41F 1/008; A41F 9/00; A41F 9/02;
A41F 9/025
See application file for complete search history.

6,055,673 A * 5/2000 McCormick A41D 15/002
2/227
6,434,754 B2 * 8/2002 Kato 2/234
2007/0169250 A1 * 7/2007 Maniguet A41D 1/08
2/227

* cited by examiner

Primary Examiner — Caron D Veynar
Assistant Examiner — Abraham Bahta
(74) *Attorney, Agent, or Firm* — Hovey Williams LLP

(57) **CLAIM**
The ornamental design for an adjustable pants, as shown and described.

DESCRIPTION

This application incorporates by reference U.S. patent application Ser. No. 14/280,008, filed May 16, 2004. All the material from the U.S. application which is essential to the claimed design is included in this application. It is understood that any material in the U.S. application which is not present in this application forms no part of the claimed design.

FIG. 1 is a front elevational view of an adjustable pants embodying my design, with the adjustable pants including an adjustment component located at a back of the adjustable pants in a closed position;

FIG. 2 is a back elevational view of the adjustable pants from FIG. 1, and with the adjustment component in the closed position;

FIG. 3 is a front elevational view of the adjustable pants from FIGS. 1-2, and with the adjustment component in an open position;

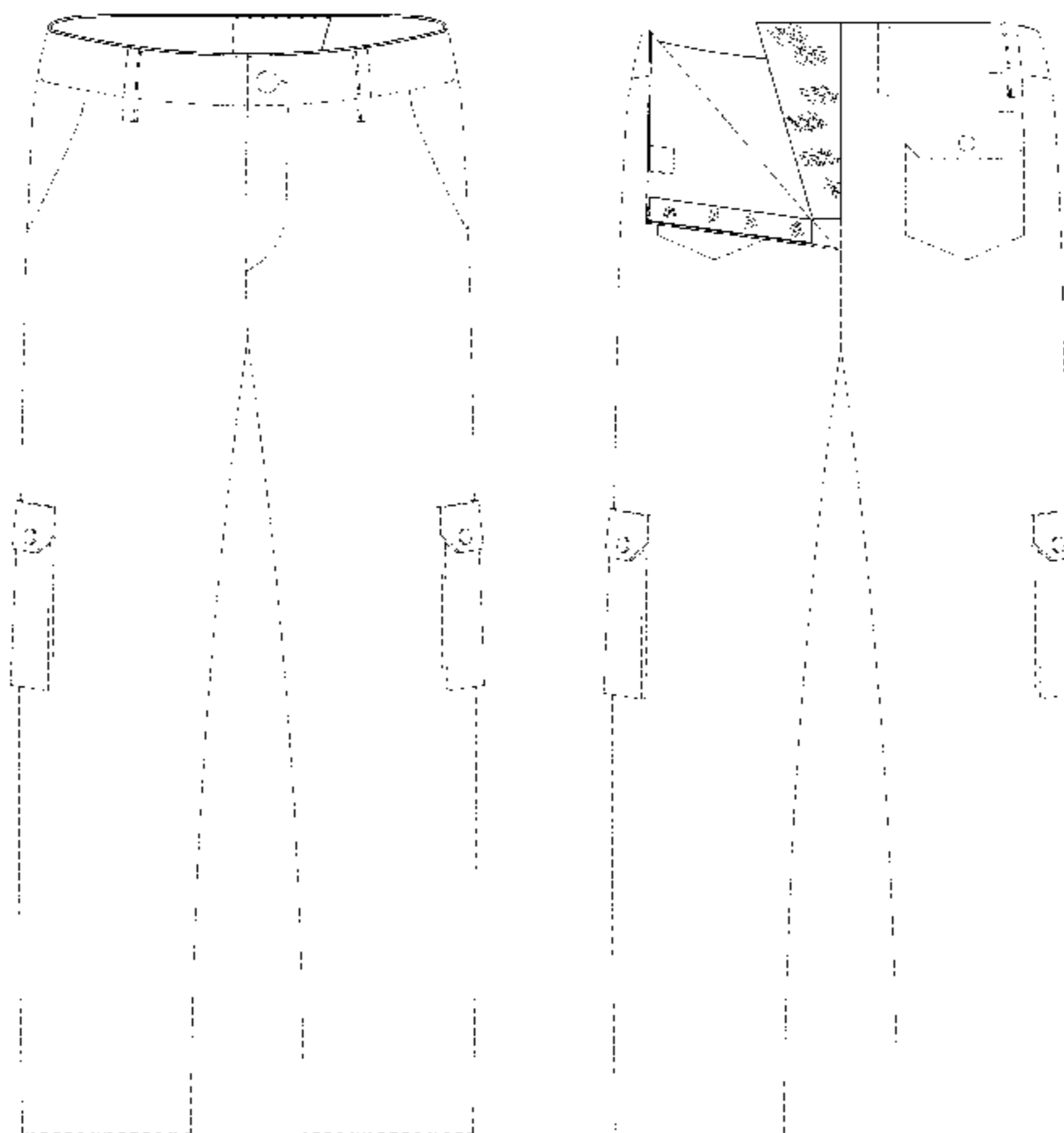
FIG. 4 is a rear elevational view of the adjustable pants from FIGS. 1-3, and with the adjustment component in the open position; and,

FIG. 5 is a rear elevational view of the adjustable pants from FIGS. 1-4, and with the adjustment component being further open from the open position.

The broken lines shown in the figures are for environmental or illustrative purposes only and form no part of the claimed design.

- (56) **References Cited**
U.S. PATENT DOCUMENTS
- 3,823,419 A * 7/1974 Breitbart A41F 9/025
2/227
- 4,068,321 A * 1/1978 Chayer A41D 1/20
2/227
- 4,677,699 A * 7/1987 Barabe A41F 9/025
2/221
- 5,033,125 A * 7/1991 de la Villefromoy ... A41F 9/025
2/221
- 5,144,697 A * 9/1992 Sandbeck A41D 1/06
2/219
- D353,934 S * 1/1995 Yallanardo D2/705
- 5,575,010 A * 11/1996 Chung A41D 1/06
2/227
- 5,867,836 A * 2/1999 Quinones A41F 9/02
2/221

1 Claim, 5 Drawing Sheets



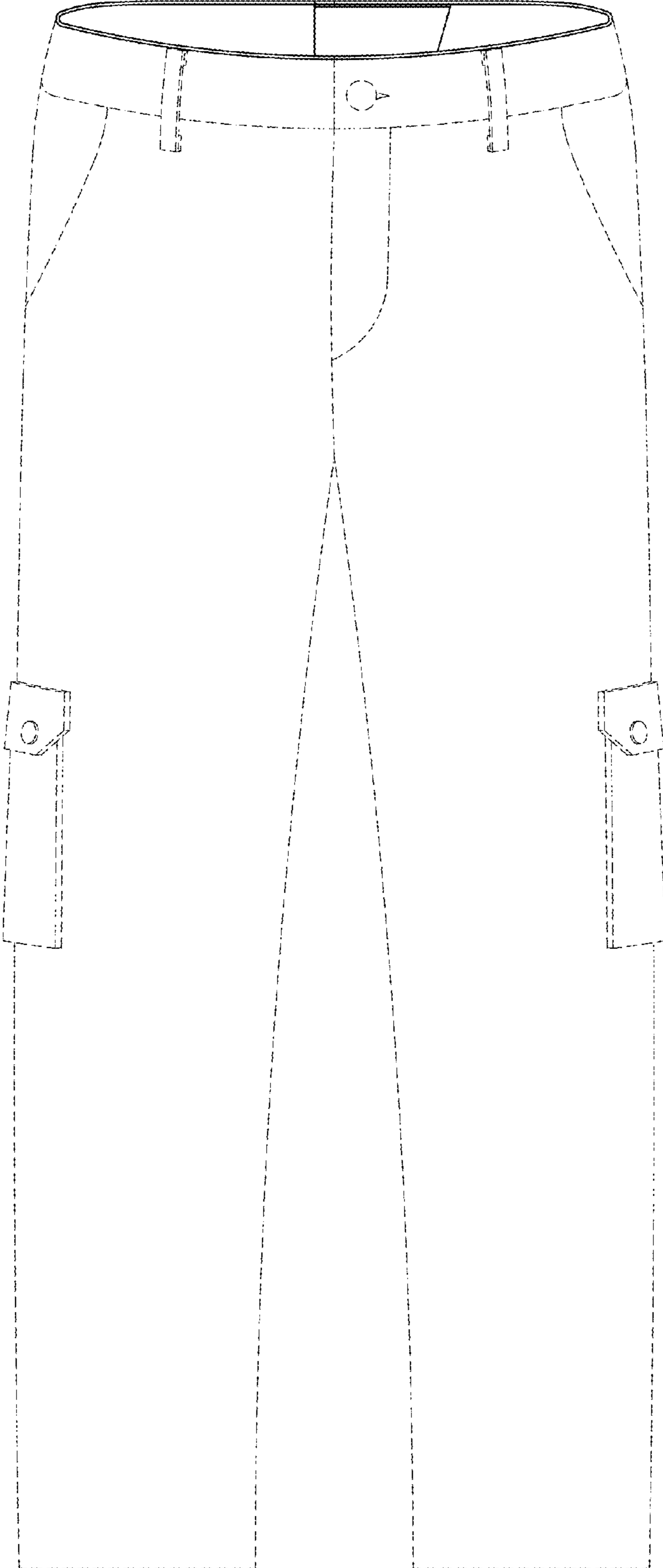


Fig. 1.

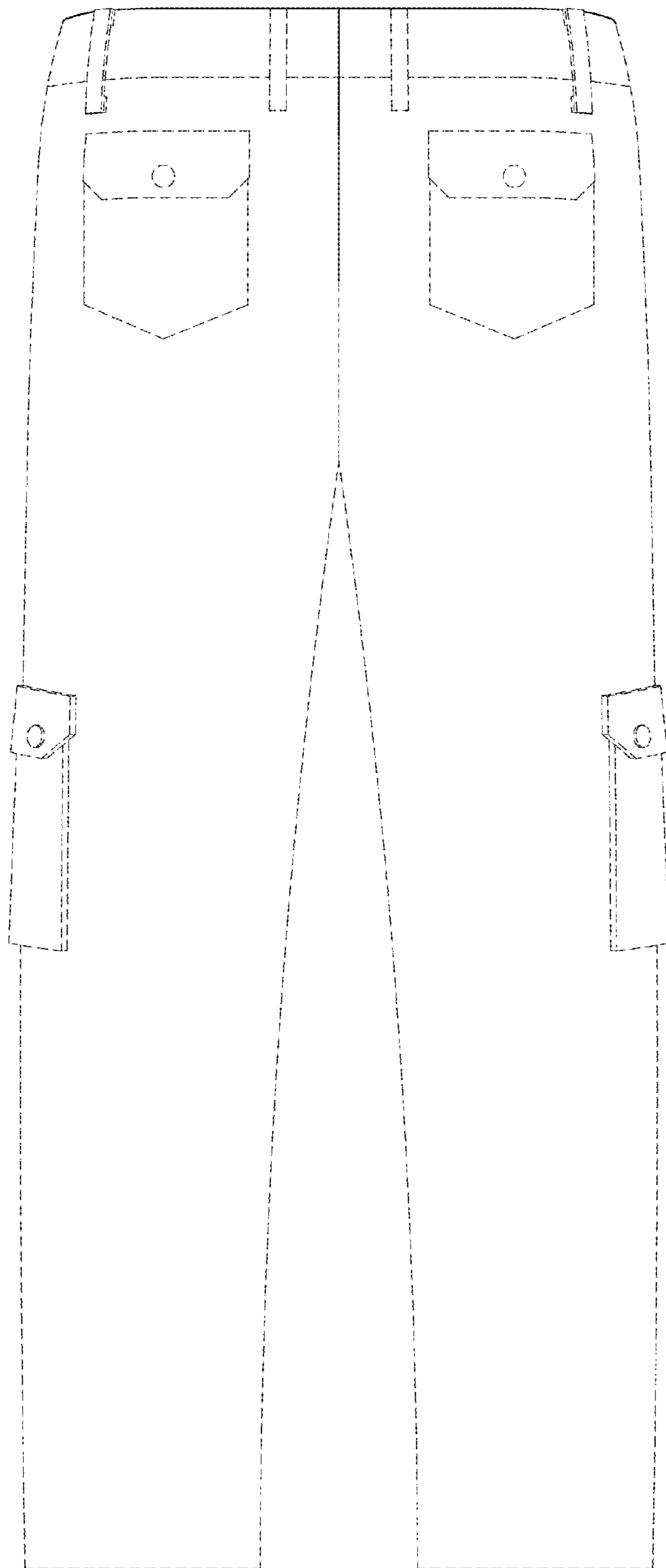


Fig. 2.

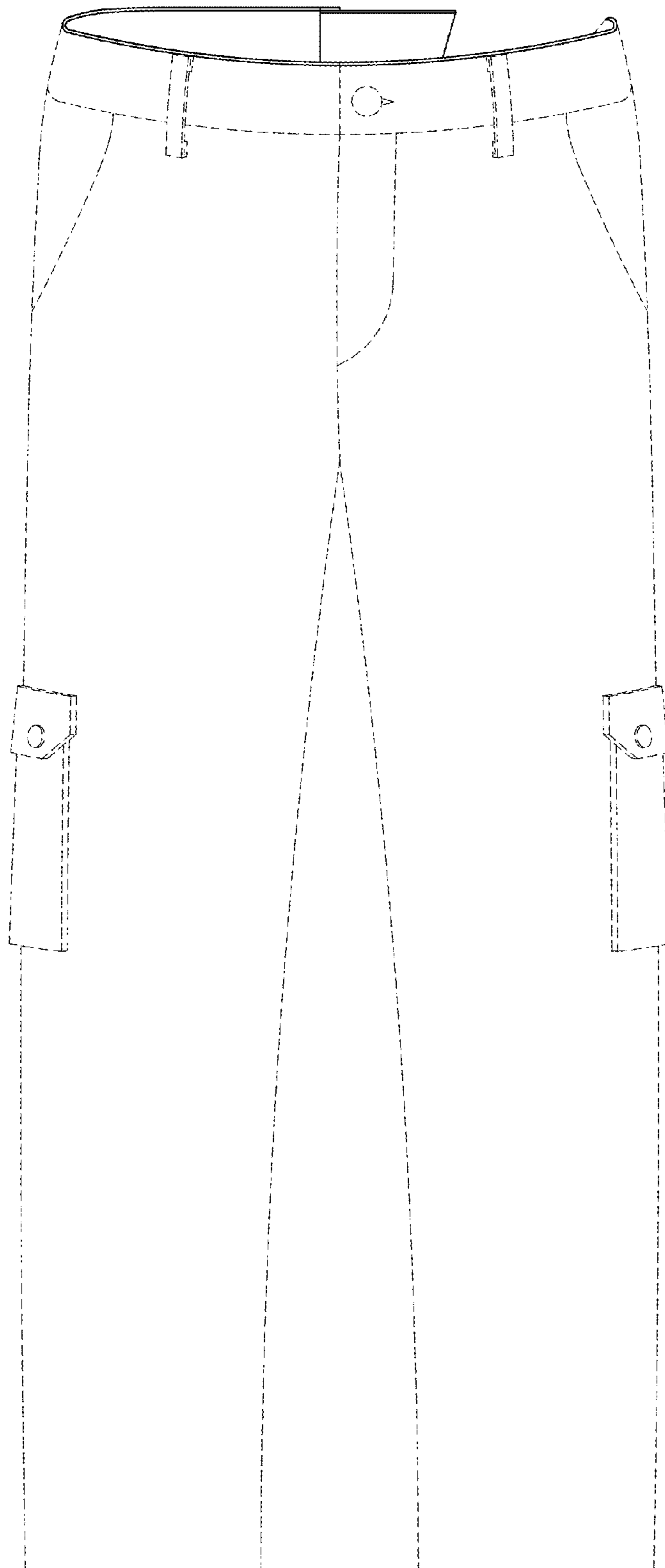


Fig. 3.

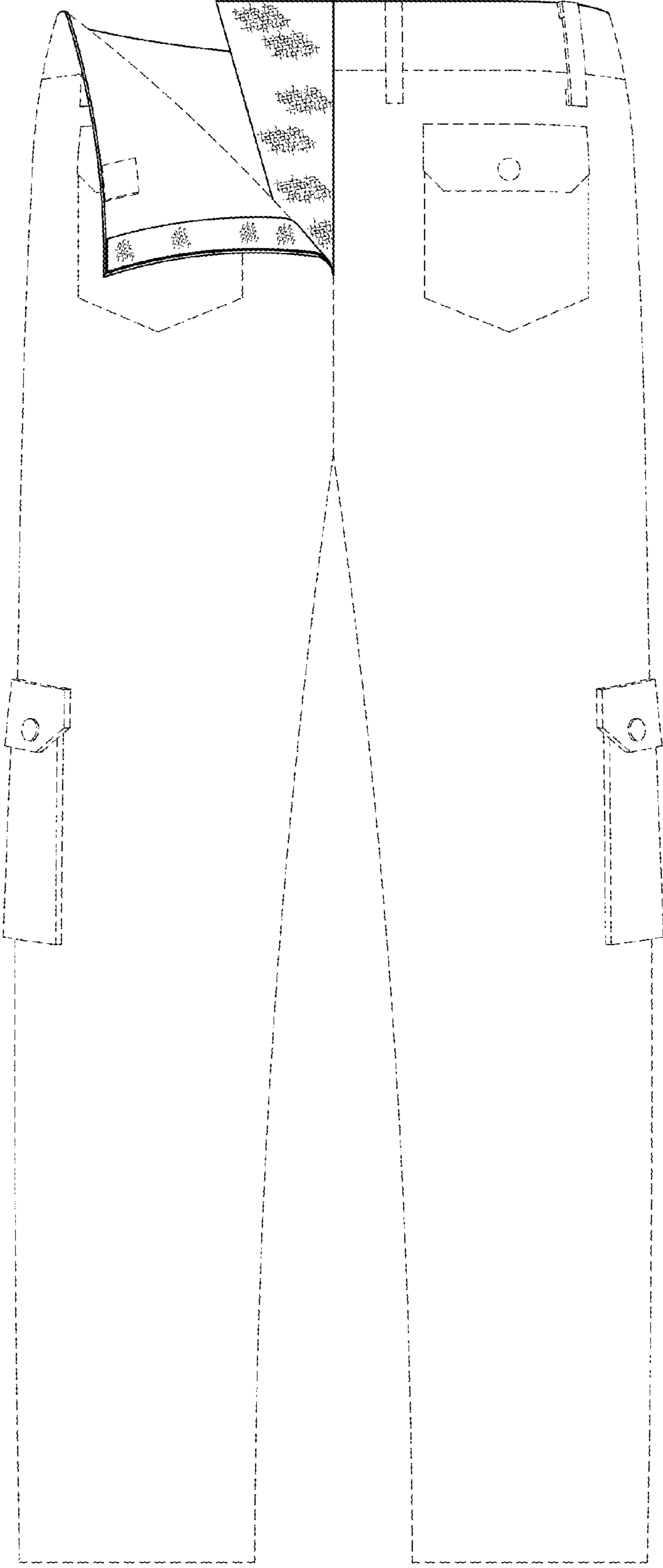


Fig. 4.

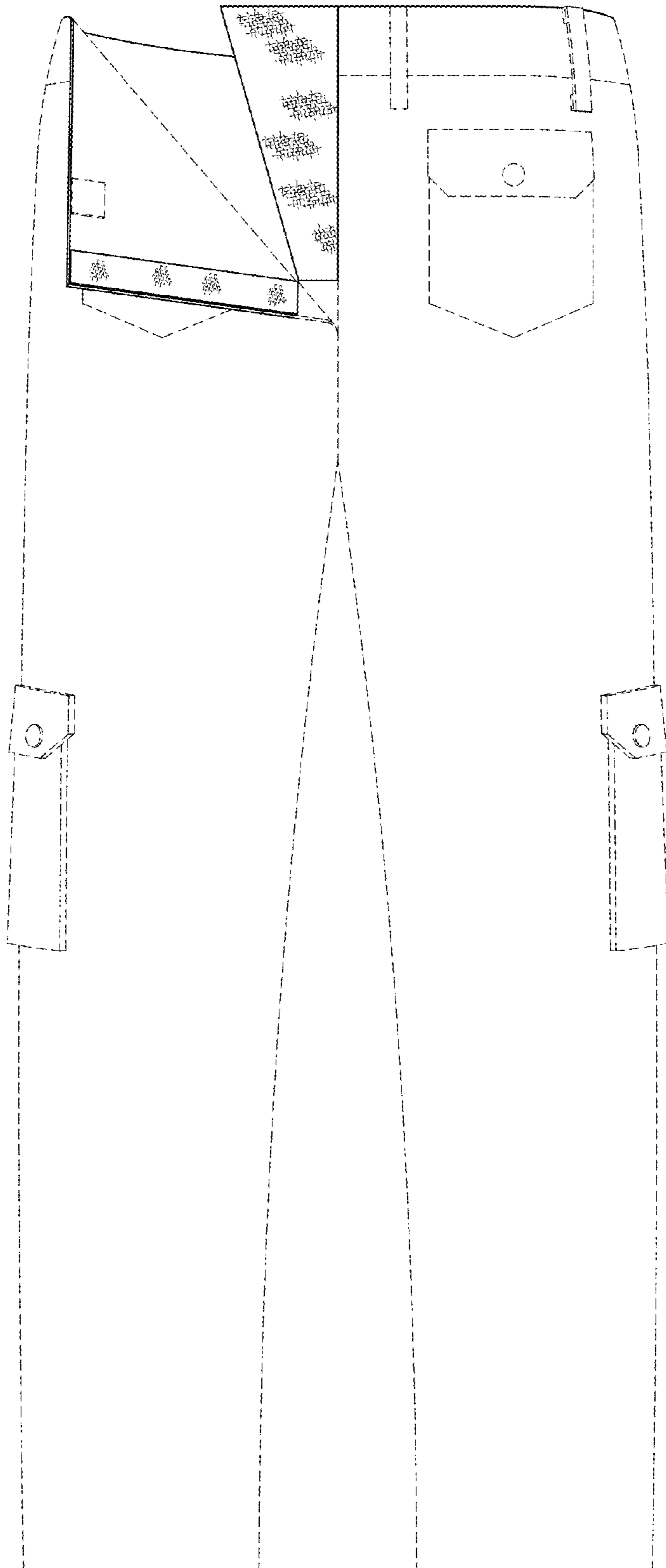


Fig. 5.