



US00D751264S

(12) **United States Design Patent**  
**Walter**

(10) **Patent No.:** **US D751,264 S**  
(45) **Date of Patent:** **\*\* Mar. 8, 2016**

(54) **CART**  
(71) Applicant: **AMSA, Inc.**, Boulder, CO (US)  
(72) Inventor: **Ivor Michel Walter**, Boulder, CO (US)  
(73) Assignee: **AMSA, Inc.**, Boulder, CO (US)  
(\*\*) Term: **14 Years**

(21) Appl. No.: **29/509,566**  
(22) Filed: **Nov. 19, 2014**  
(51) **LOC (10) Cl.** ..... **12-02**  
(52) **U.S. Cl.**  
USPC ..... **D34/21; D34/27**  
(58) **Field of Classification Search**  
USPC ..... D34/12-27; 280/33.991-33.997, 47.35,  
280/47.38  
CPC ..... B62B 3/14; B62B 3/1472; B62B 3/144;  
B62B 9/02; B62B 3/0002; B62B 3/003;  
B62B 3/10; B62B 3/0008; B62B 3/022;  
B62B 3/1496; B62B 5/00062  
See application file for complete search history.

(56) **References Cited**

**U.S. PATENT DOCUMENTS**

2,943,707	A	7/1960	Ramlose	
D283,264	S *	4/1986	Levy-Joseph	D34/17
D314,269	S	1/1991	Trubiano	
5,012,966	A *	5/1991	Turner	B62B 3/1472 206/556
D321,577	S	11/1991	Ellis et al.	
5,265,893	A	11/1993	Ettlin	
5,306,033	A	4/1994	Evans	
D463,647	S	9/2002	Deal et al.	
D493,594	S	7/2004	Prather et al.	
D639,521	S	6/2011	Walter	
D646,041	S	9/2011	Berthiaume et al.	
D648,914	S	11/2011	Walter	
D654,242	S *	2/2012	Berthiaume	D34/27
D659,936	S *	5/2012	Berthiaume	D34/27
D698,114	S	1/2014	Smith et al.	
2004/0051263	A1	3/2004	Prather et al.	
2008/0217877	A1 *	9/2008	Simard	B62B 3/144 280/33.993

2010/0078902	A1	4/2010	Lee et al.	
2010/0314848	A1 *	12/2010	Honiball	B62B 3/1408 280/33.992
2011/0062675	A1 *	3/2011	Brown	B62B 3/144 280/33.993
2013/0207362	A1	8/2013	Smith	
2014/0159327	A1 *	6/2014	Smith	B62B 3/14 280/33.991

(Continued)

**FOREIGN PATENT DOCUMENTS**

WO 2008009436 A2 1/2008

**OTHER PUBLICATIONS**

MarkeTools Shopping carts Scan of website [<http://www.marketools.net/shoppingcarts.html>] showing prior art carts manufactured by MarkeTools.  
<http://www.premiercarts.com/metalcarts.htm> Metal Shopping Carts.  
<http://www.premiercarts.com/plasticcarts.htm> Plastic Shopping Carts.  
Unarco Model 90 Scan of brochure showing prior art cart manufactured by Unarco retrieved from [<http://www.unarco.com/M90ZX.pdf>].

(Continued)

*Primary Examiner* — Cynthia Ramirez

(74) *Attorney, Agent, or Firm* — Polson Intellectual Property Law, PC; Margaret Polson

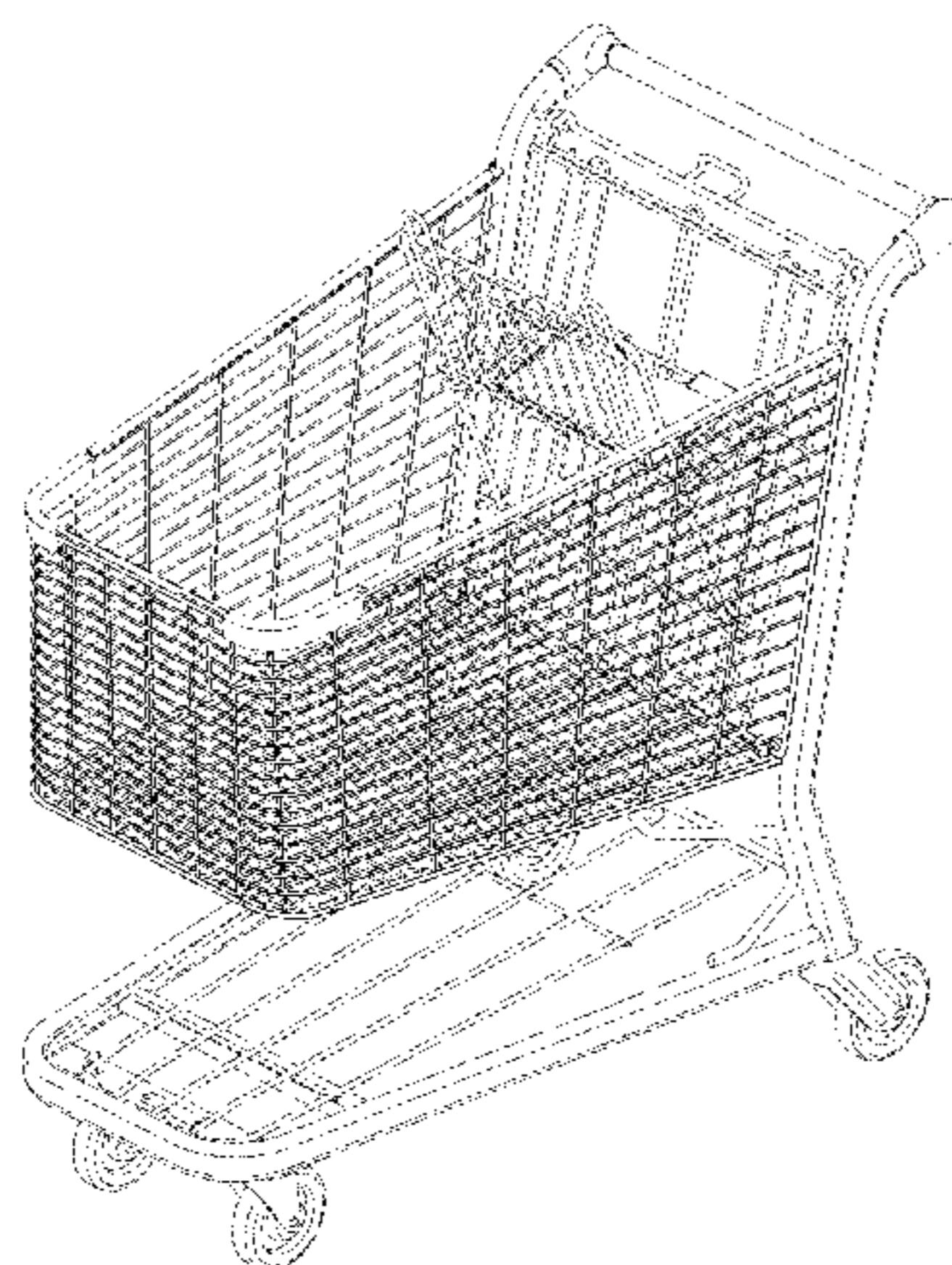
(57) **CLAIM**

The ornamental design for a cart, as shown and described.

**DESCRIPTION**

FIG. 1 is a front perspective view of our new design for a cart. FIG. 2 is a side elevation view of the right and left sides, which are mirror images, of FIG. 1. FIG. 3 is a front side elevation view of FIG. 1. FIG. 4 is a back side elevation view of FIG. 1. FIG. 5 is a top plan view of FIG. 1; and, FIG. 6 is a bottom plan view of FIG. 1. The features shown in broken lines in the drawing depict environmental subject matter only and form no part of the claimed design.

**1 Claim, 5 Drawing Sheets**



(56)

**References Cited**

U.S. PATENT DOCUMENTS

2014/0353935 A1 12/2014 Smith et al.  
2015/0053652 A1 2/2015 Peters et al.

OTHER PUBLICATIONS

Unarco Model 95 Scan of brochure showing prior art cart manufactured by Unarco retrieved from [<http://www.unarco.com/M95U.pdf>].

Unarco Model 170Z Scan of brochure showing prior art cart manufactured by Unarco retrieved from [<http://www.unarco.com/M170Zpdf>].

Unarco Model 125 Scan of brochure showing prior art cart manufactured by Unarco retrieved from [<http://www.unarco.com/M125pdf>].

Wanzl EL series Scan of brochure showing prior art carts manufactured by Wanzl.

\* cited by examiner



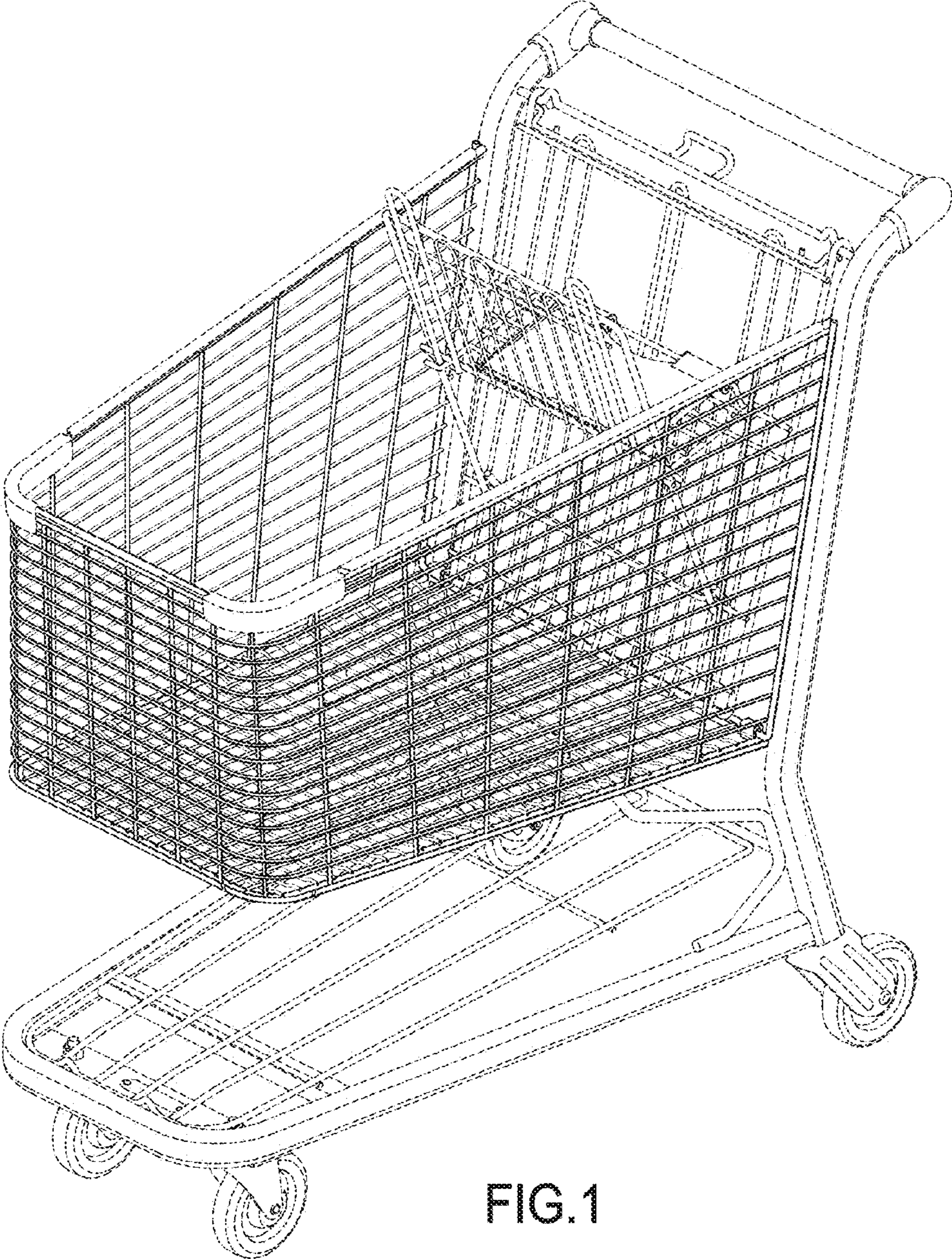


FIG. 1

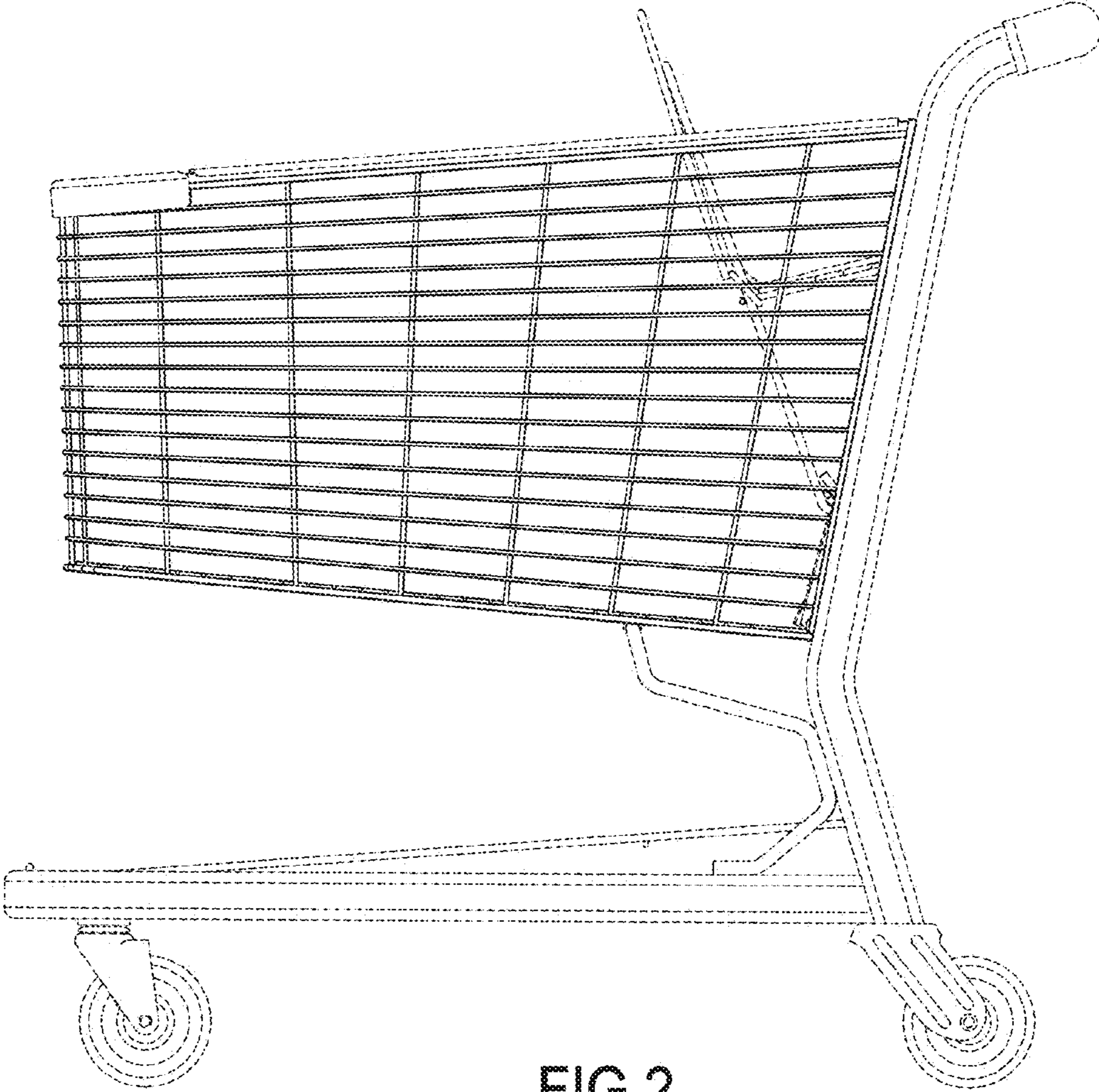


FIG.2



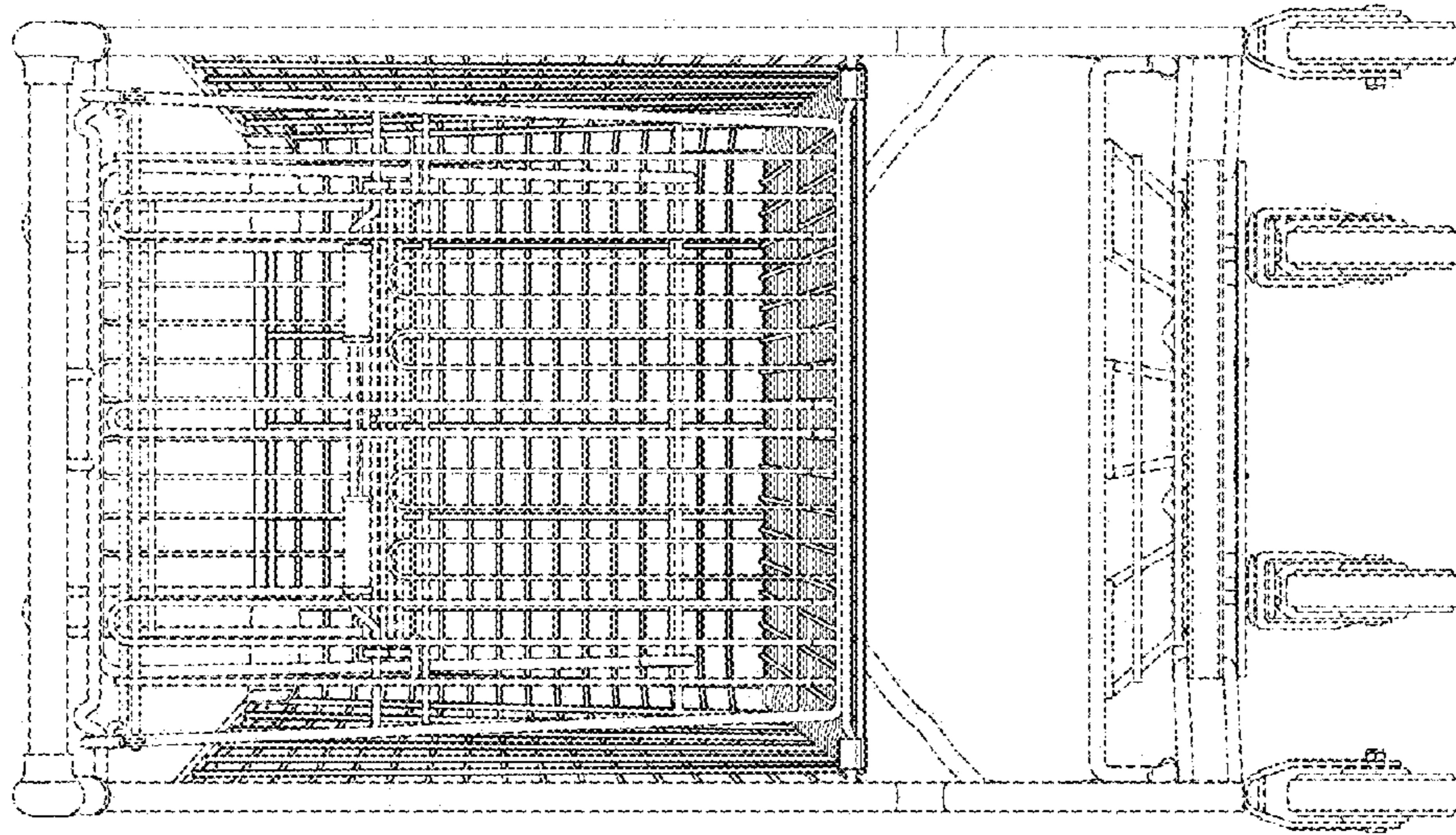


FIG.4

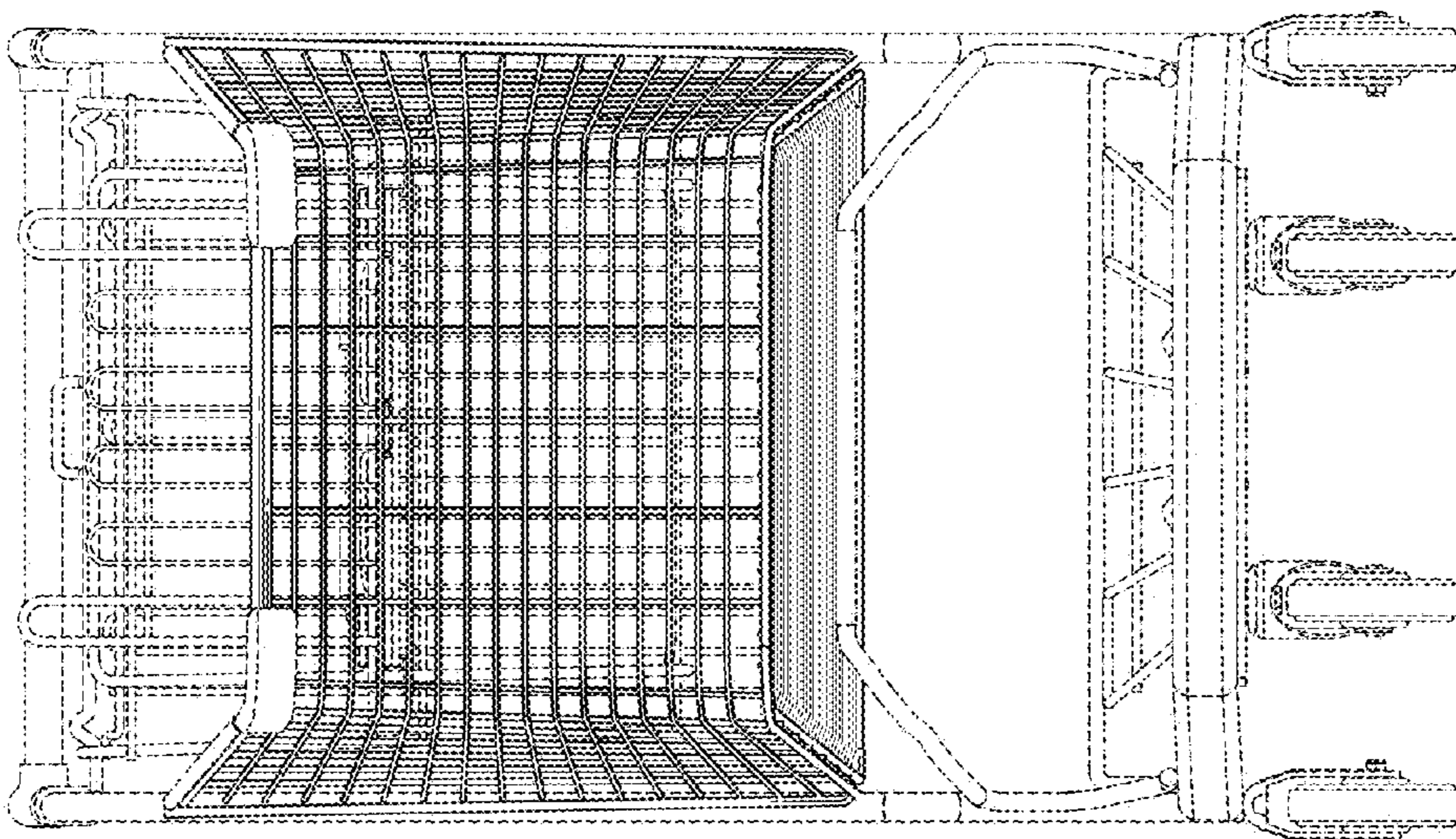


FIG.3

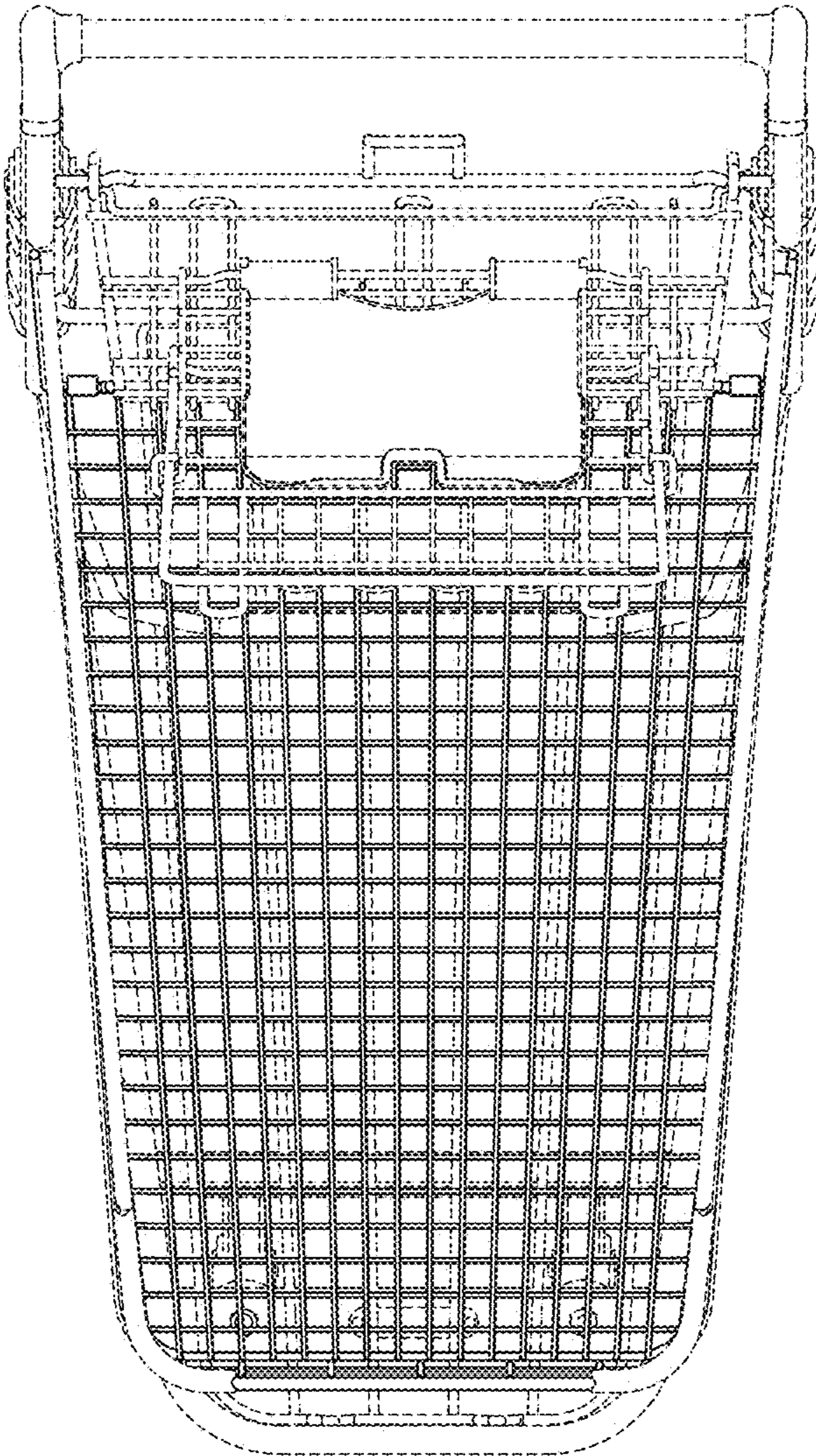


FIG.5



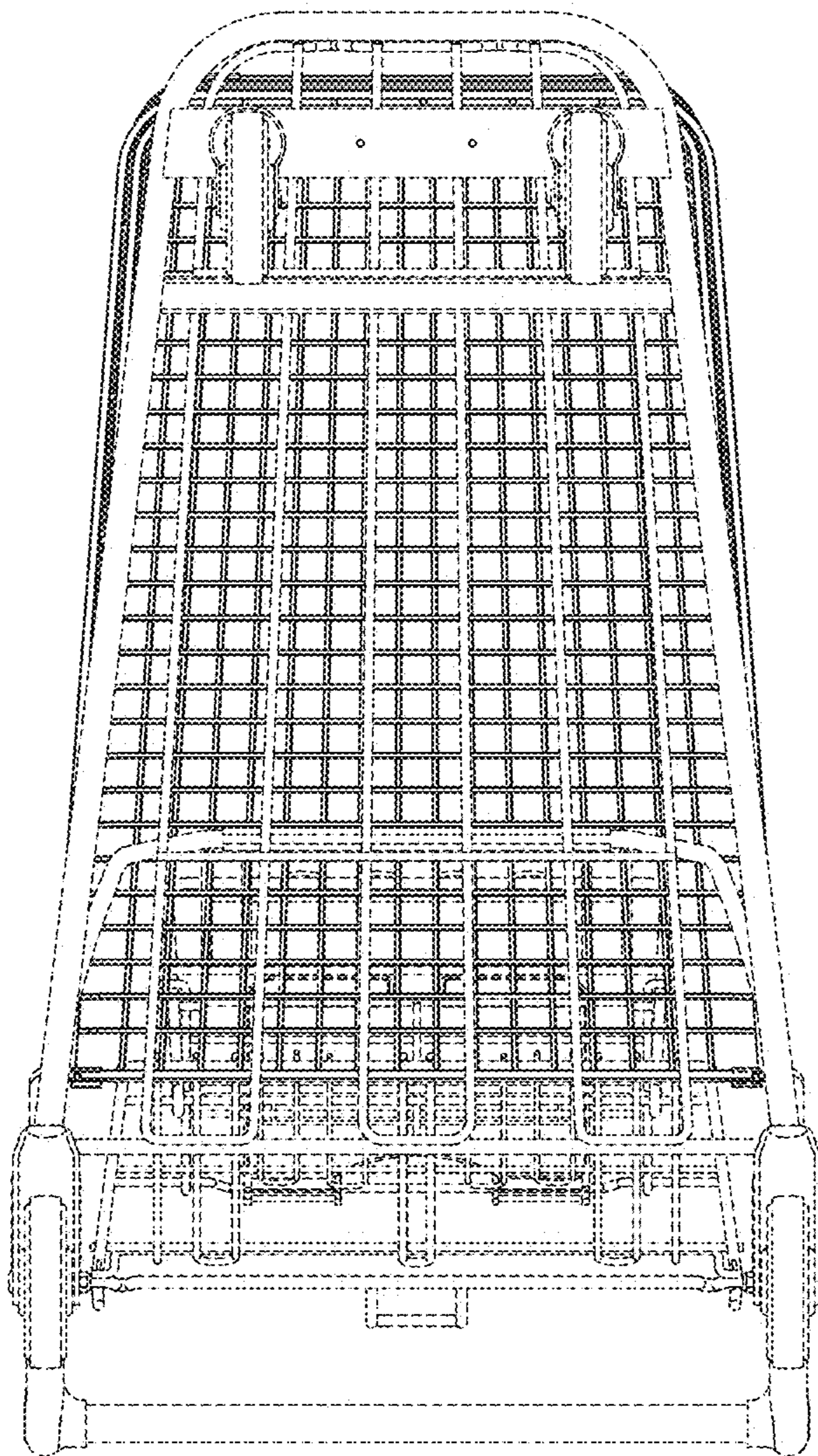


FIG.6

UNITED STATES PATENT AND TRADEMARK OFFICE  
**CERTIFICATE OF CORRECTION**

PATENT NO. : D751,264 S  
APPLICATION NO. : 29/509566  
DATED : March 8, 2016  
INVENTOR(S) : Ivor Michel Walter et al.

Page 1 of 6

It is certified that error appears in the above-identified patent and that said Letters Patent is hereby corrected as shown below:

Delete drawing sheets 1 through 5 and replace with attached drawing sheets 1 through 5

Signed and Sealed this  
Tenth Day of October, 2017



Joseph Matal  
*Performing the Functions and Duties of the  
Under Secretary of Commerce for Intellectual Property and  
Director of the United States Patent and Trademark Office*



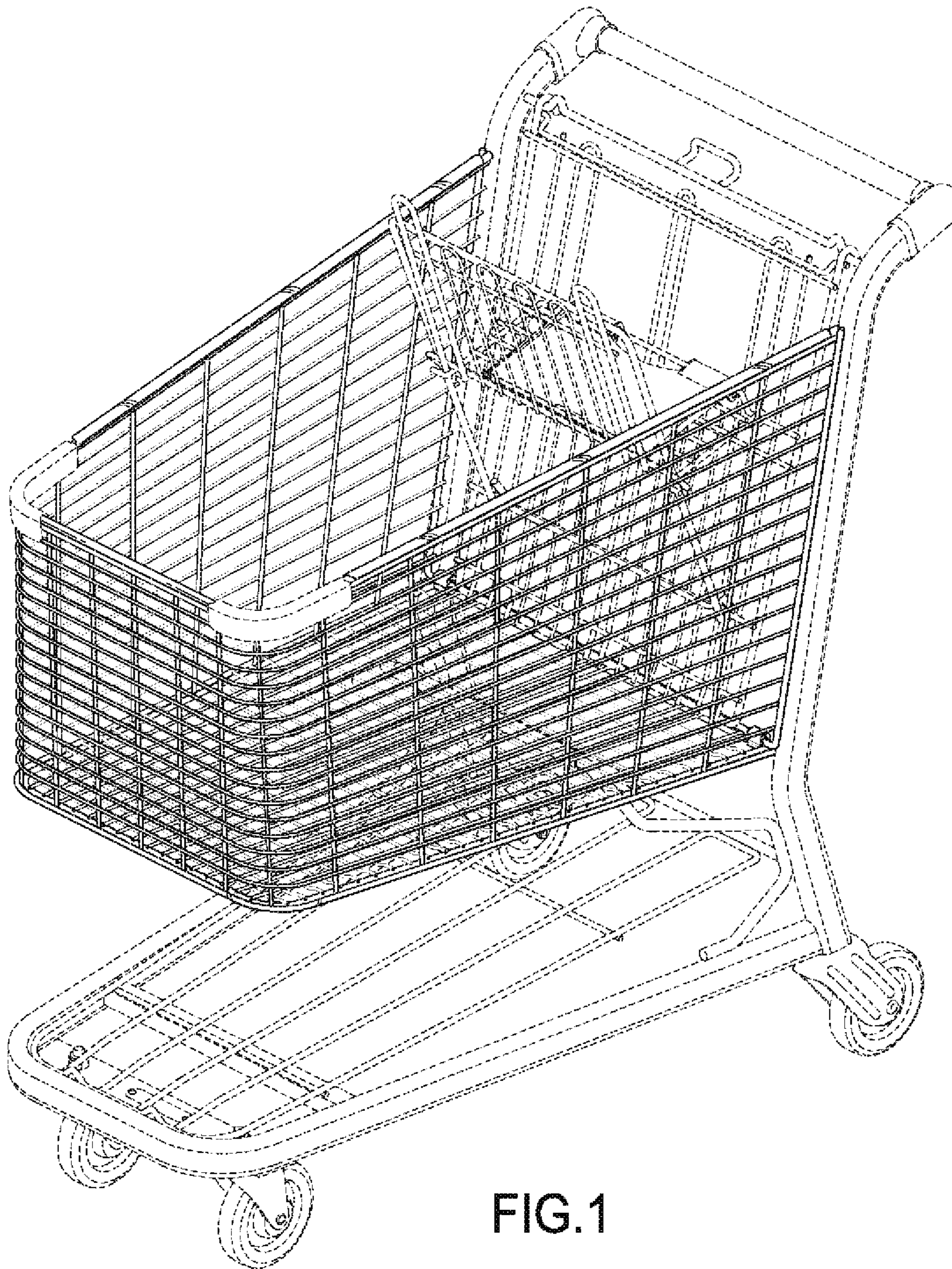


FIG.1

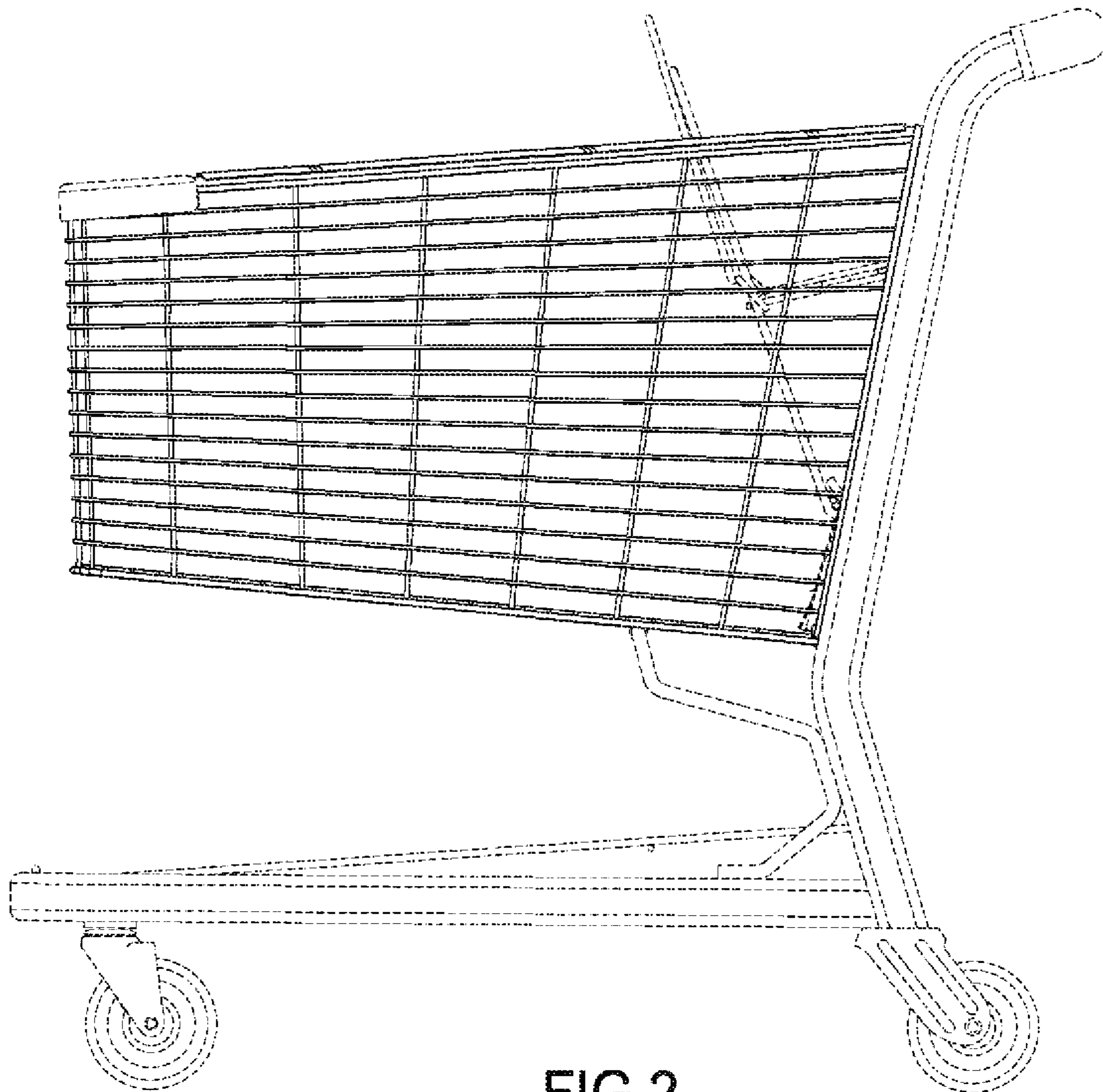


FIG. 2



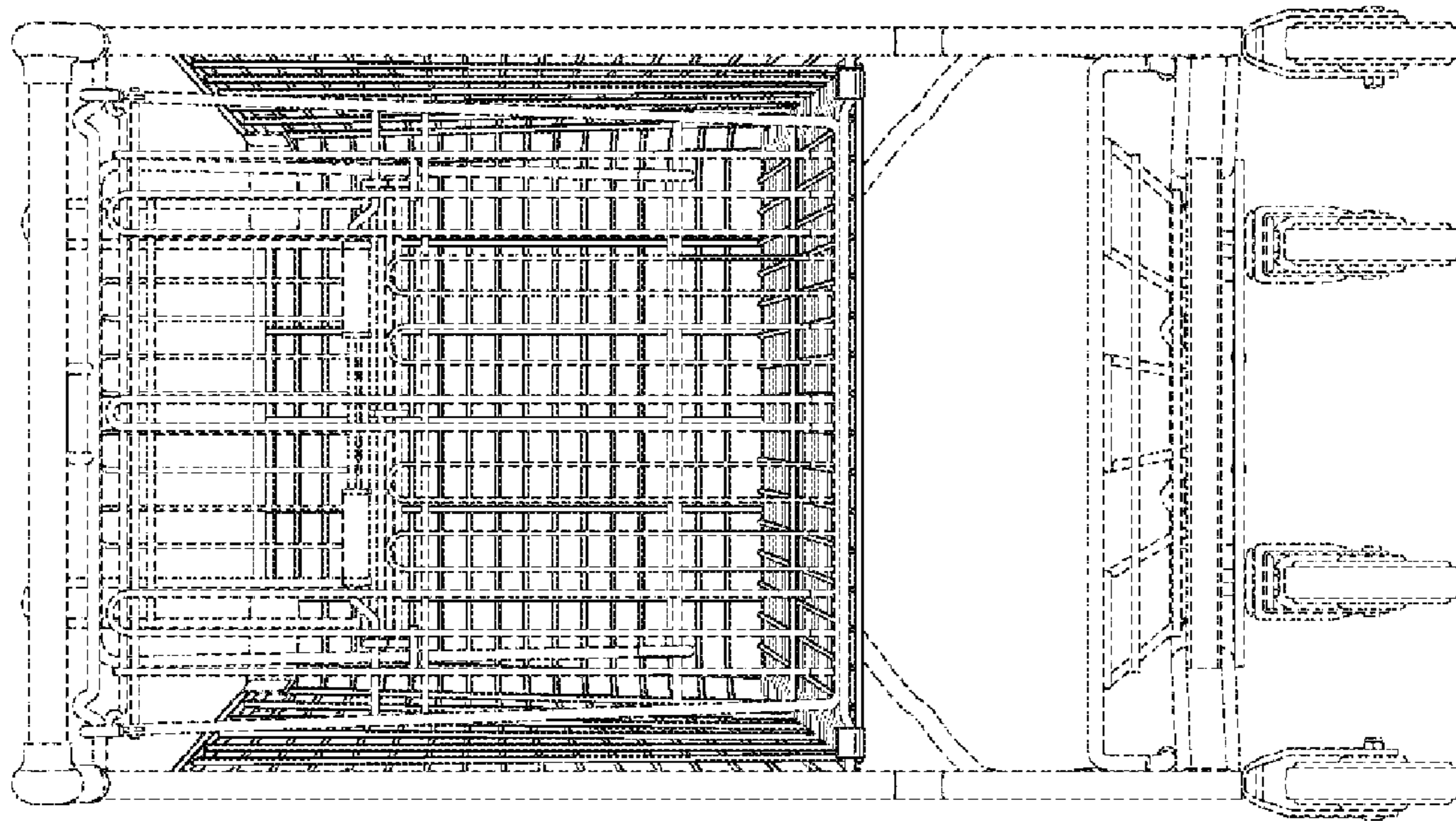


FIG. 4

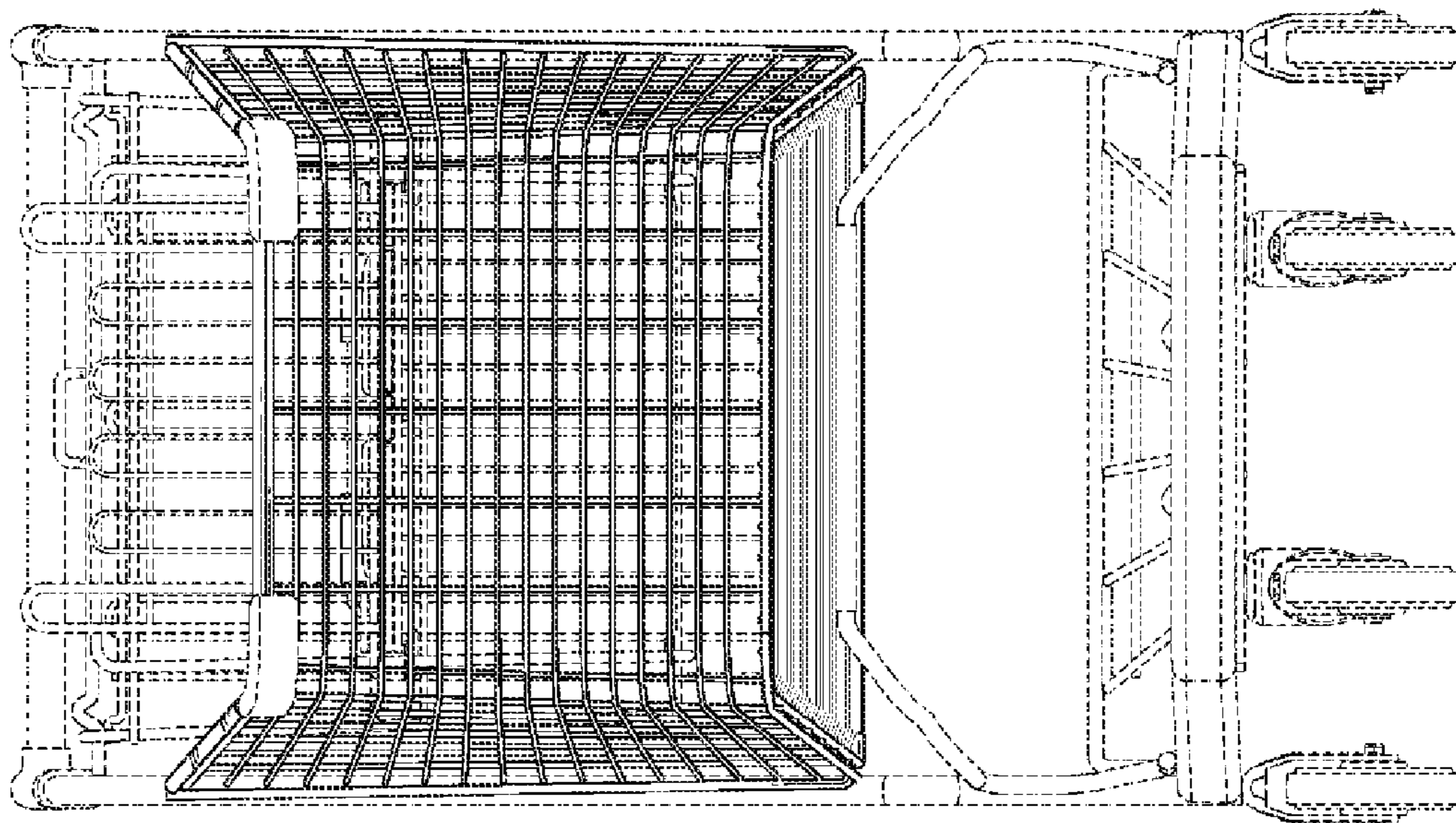


FIG. 3

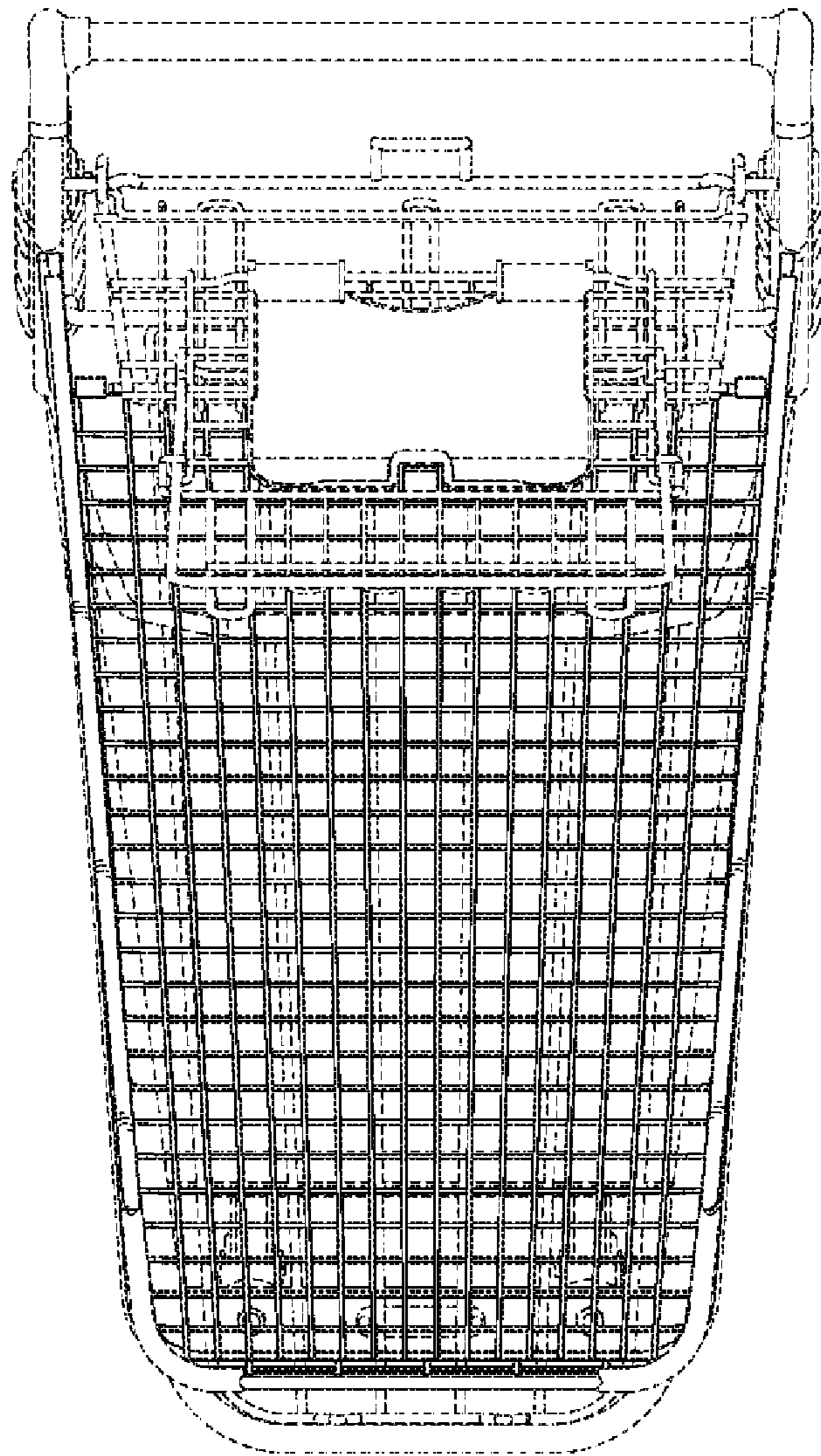


FIG.5



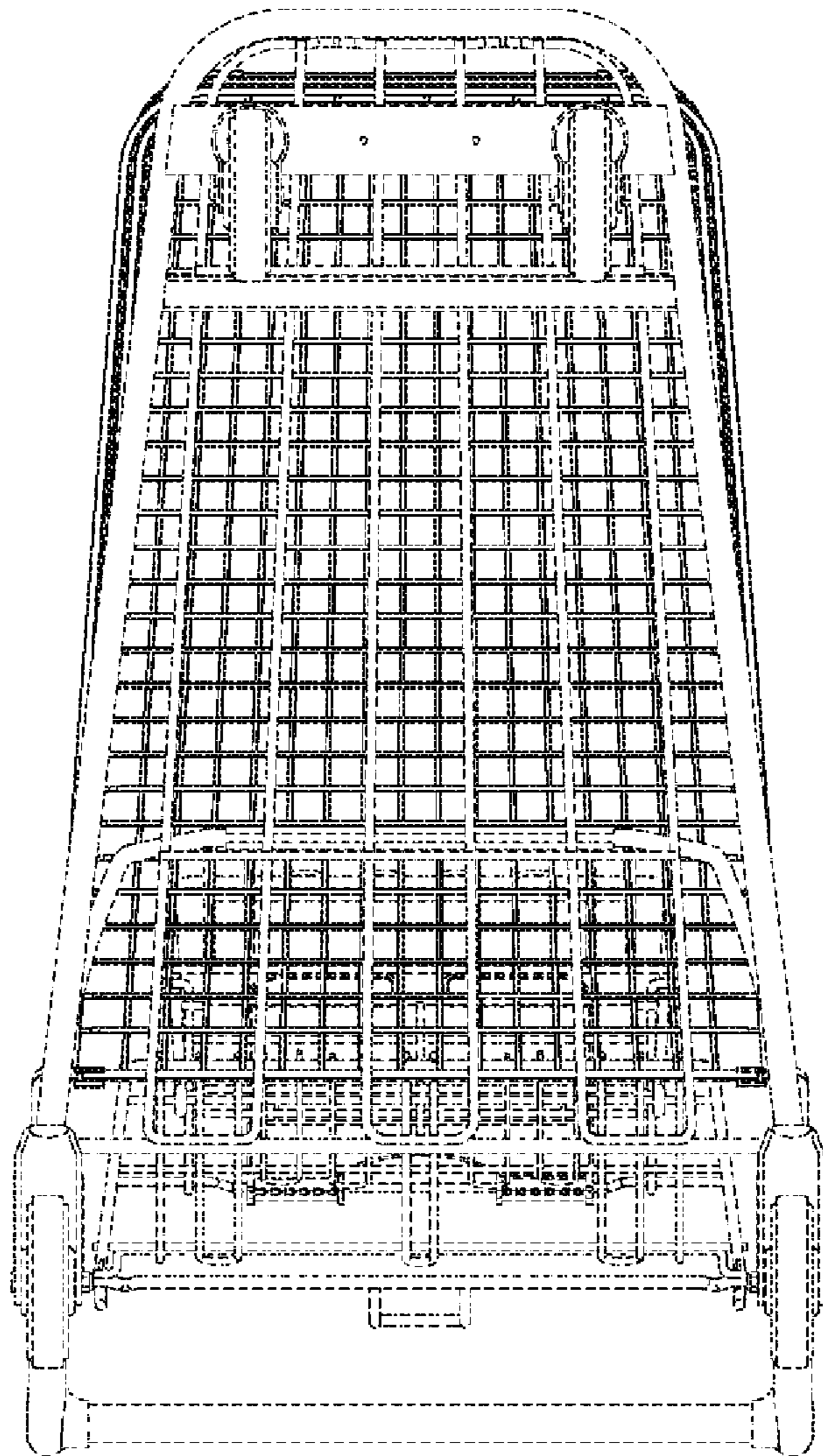


FIG.6