



US00D751263S

(12) **United States Design Patent**
Hiestand

(10) **Patent No.:** **US D751,263 S**
(45) **Date of Patent:** **** Mar. 8, 2016**

- (54) **BARROW**
- (71) Applicant: **Metal Technics Ltd.**, Lower Hutt (NZ)
- (72) Inventor: **Bernard Anton Hiestand**, Lower Hutt (NZ)
- (73) Assignee: **METAL TECHNICS LTD.**, Lower Hutt (NZ)
- (**) Term: **14 Years**
- (21) Appl. No.: **29/500,019**
- (22) Filed: **Aug. 20, 2014**
- (51) **LOC (10) Cl.** **12-02**
- (52) **U.S. Cl.**
USPC **D34/16**
- (58) **Field of Classification Search**
USPC D34/1-27; 280/47.31, 653, 47.26,
280/47.33, 124.11, 242.1, 47.1, 659
CPC B62B 1/18; B62B 1/22; B62B 5/0438;
B62B 2202/50
See application file for complete search history.

6,129,166 A *	10/2000	Sueshige	B62B 5/0026 180/65.6
D535,451 S *	1/2007	Lim	D34/16
D544,173 S *	6/2007	Mullen	D34/16
D574,121 S *	7/2008	Song	D34/16
D595,470 S *	6/2009	Albert	D34/27
2011/0101635 A1 *	5/2011	Sepeck, III	B62B 5/06 280/47.31
2012/0319370 A1 *	12/2012	Westphal	B62B 1/18 280/47.31

* cited by examiner

Primary Examiner — Cynthia Ramirez

Assistant Examiner — Gino Colan

(74) *Attorney, Agent, or Firm* — Blakely Sokoloff Taylor & Zafman LLP

(57) **CLAIM**

The ornamental design for a barrow, as shown and described.

DESCRIPTION

FIG. 1 is a first perspective view of a barrow showing my new design;

FIG. 2 is a front view of the barrow of FIG. 1.

FIG. 3 is a right side view of the barrow of FIG. 1;

FIG. 4 is a rear view of the barrow of FIG. 1;

FIG. 5 is a left side view of the barrow of FIG. 1.

FIG. 6 is a top view of the barrow of FIG. 1.

FIG. 7 is a bottom view of the barrow of FIG. 1; and,

FIG. 8 is a second perspective view of the barrow of FIG. 1.

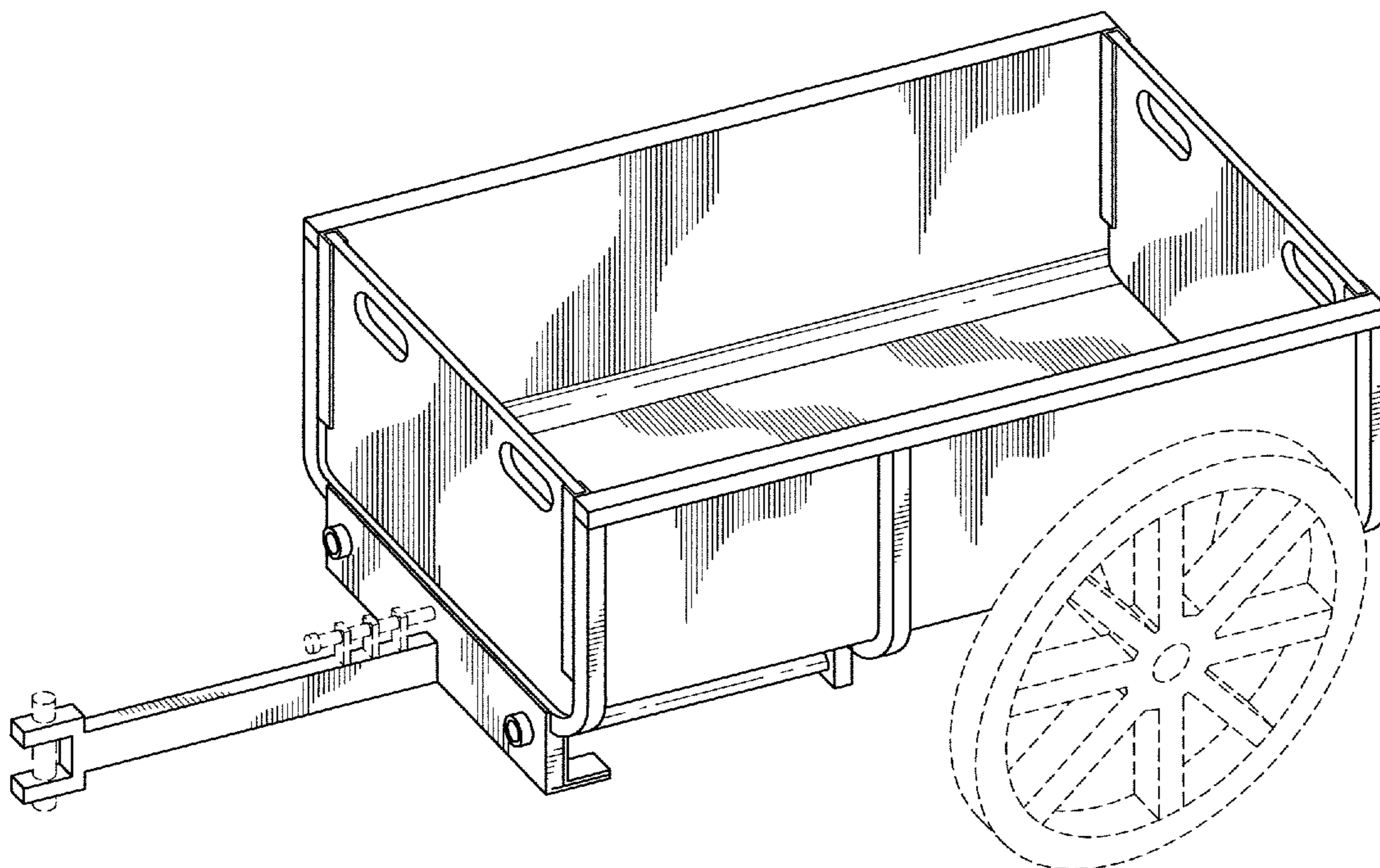
The broken lines in the drawings are included for the purpose of illustrating environment and form no part of the claimed design.

(56) **References Cited**

U.S. PATENT DOCUMENTS

D183,179 S *	7/1958	Pasin	280/47.26
D297,379 S *	8/1988	Morrisette	280/47.26
5,033,760 A *	7/1991	Evans	B62B 1/20 280/47.26
5,465,801 A *	11/1995	Hoover	B62D 51/065 180/13

1 Claim, 7 Drawing Sheets



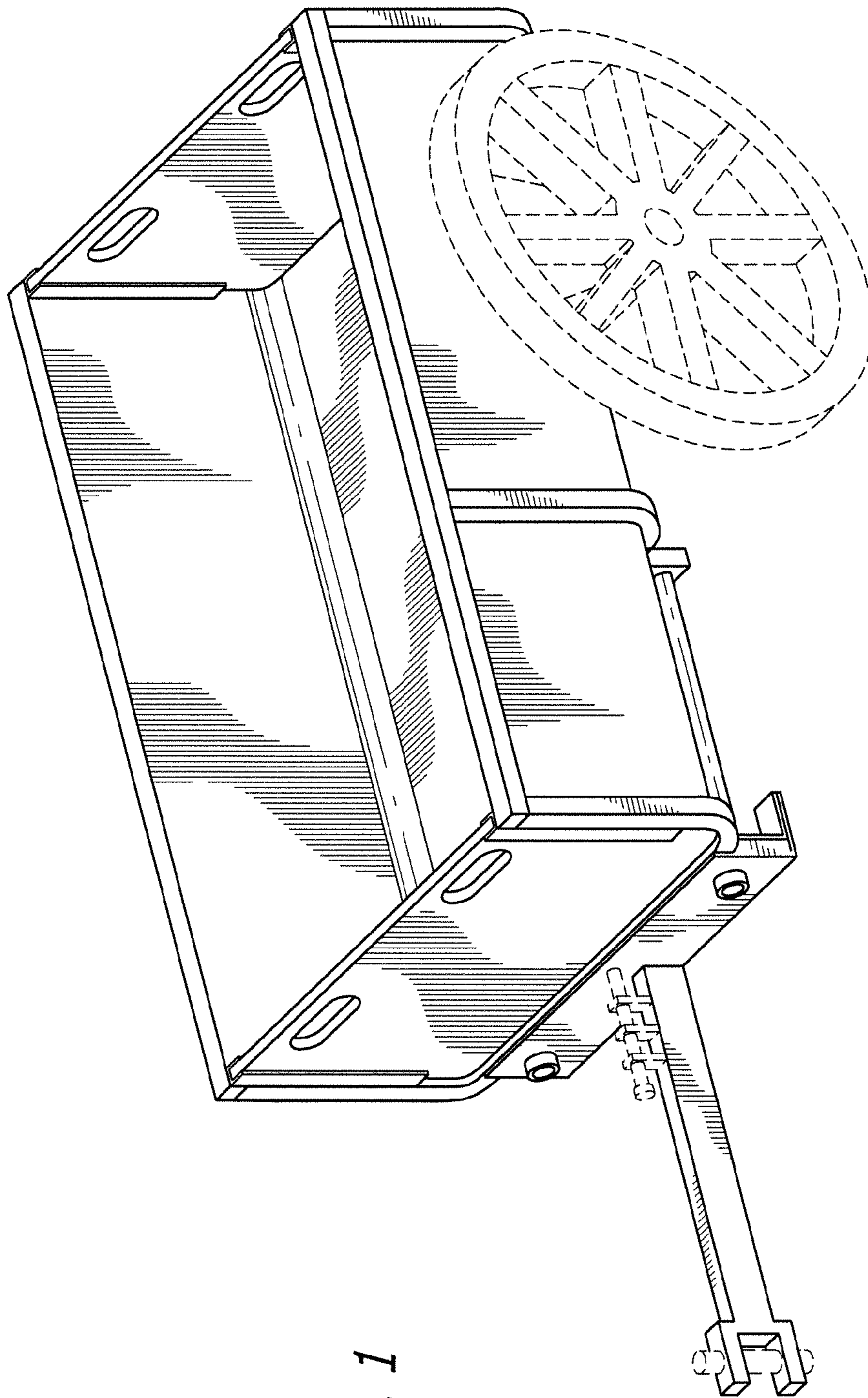


FIG. 1

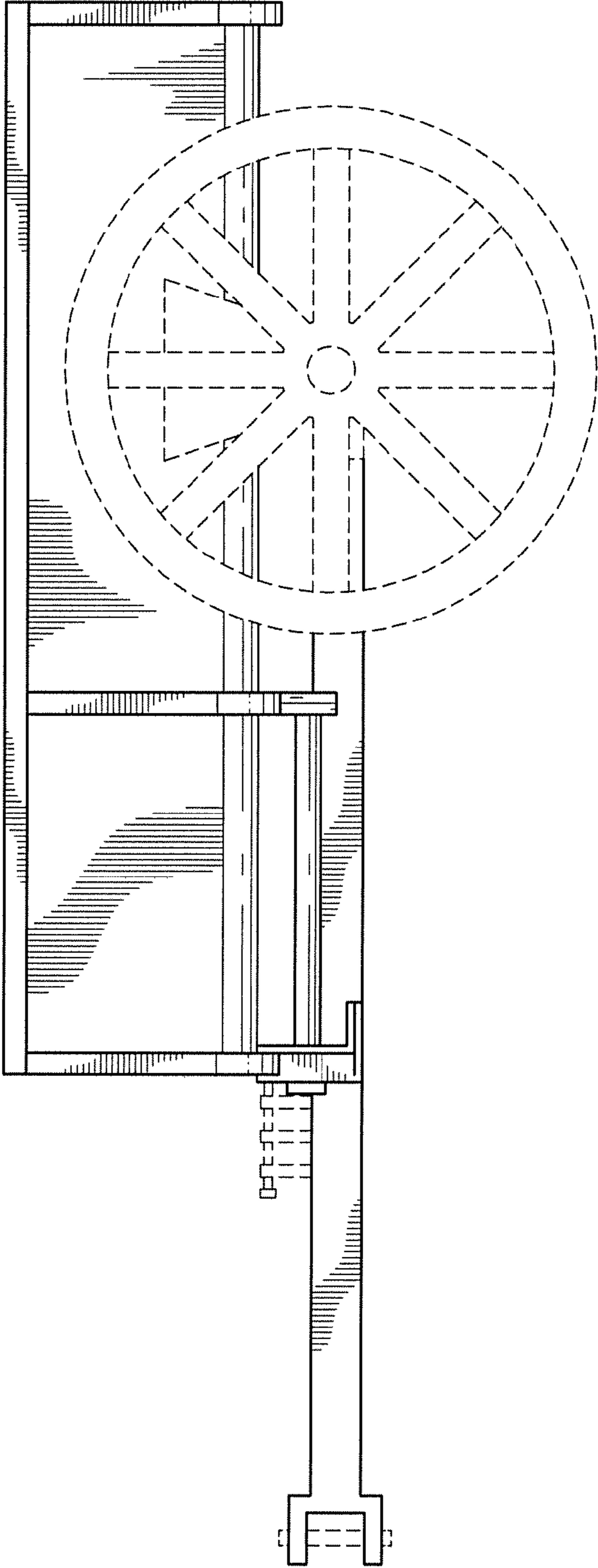
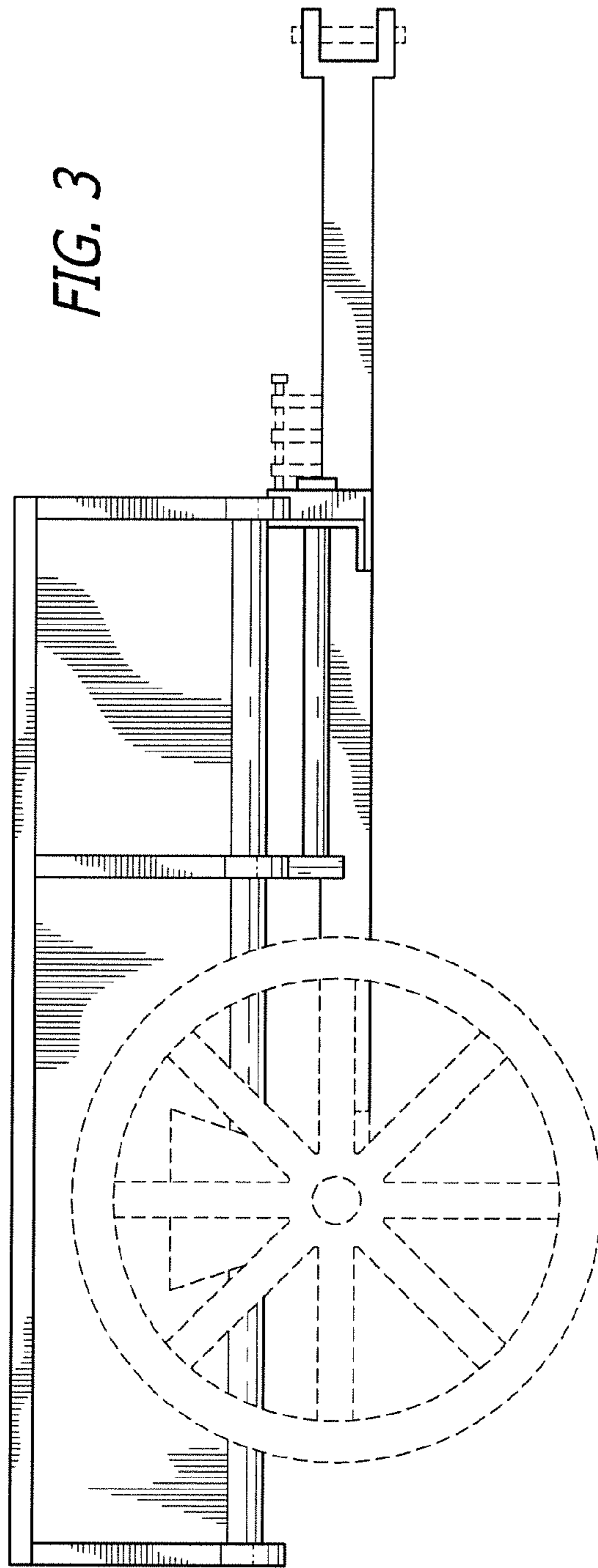


FIG. 2



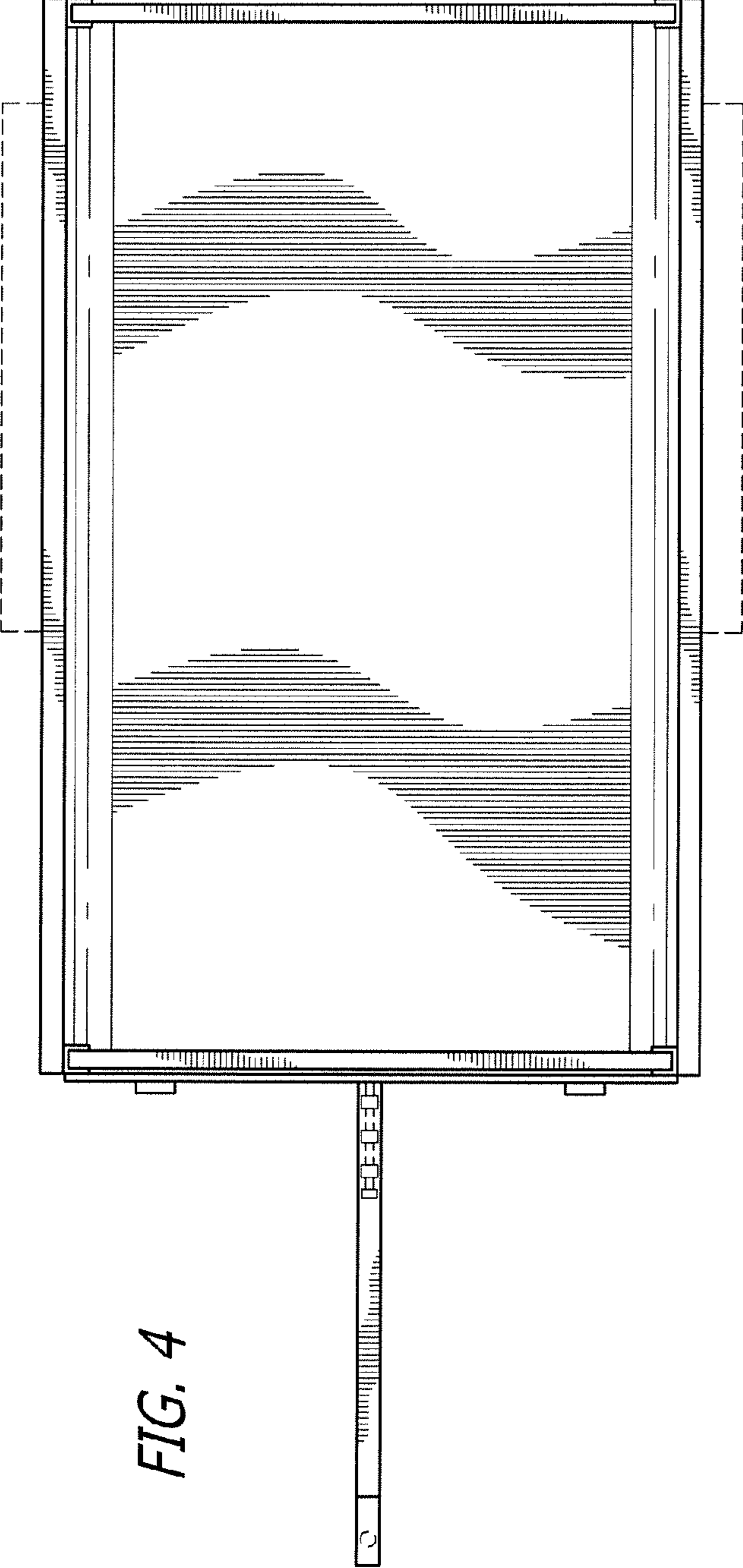
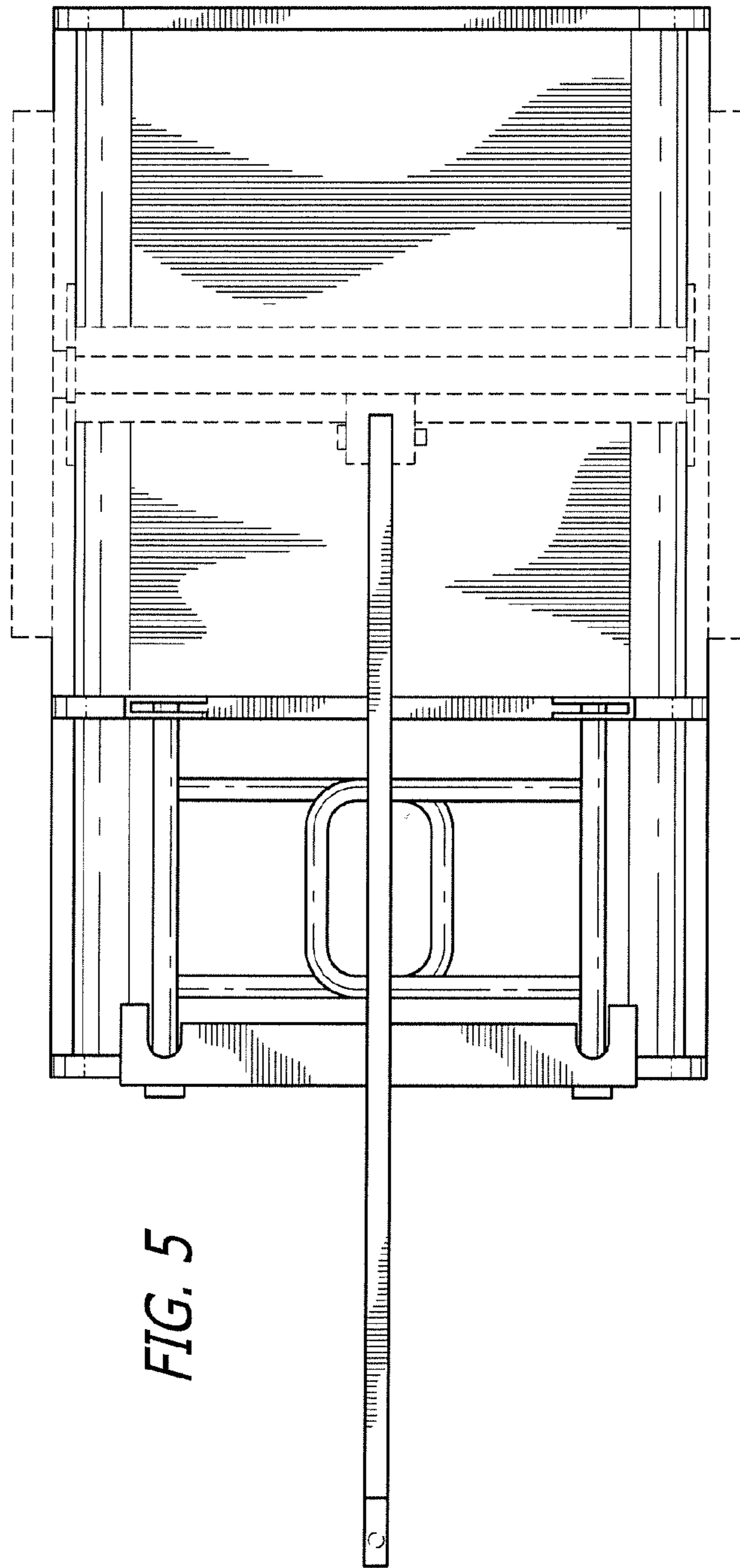
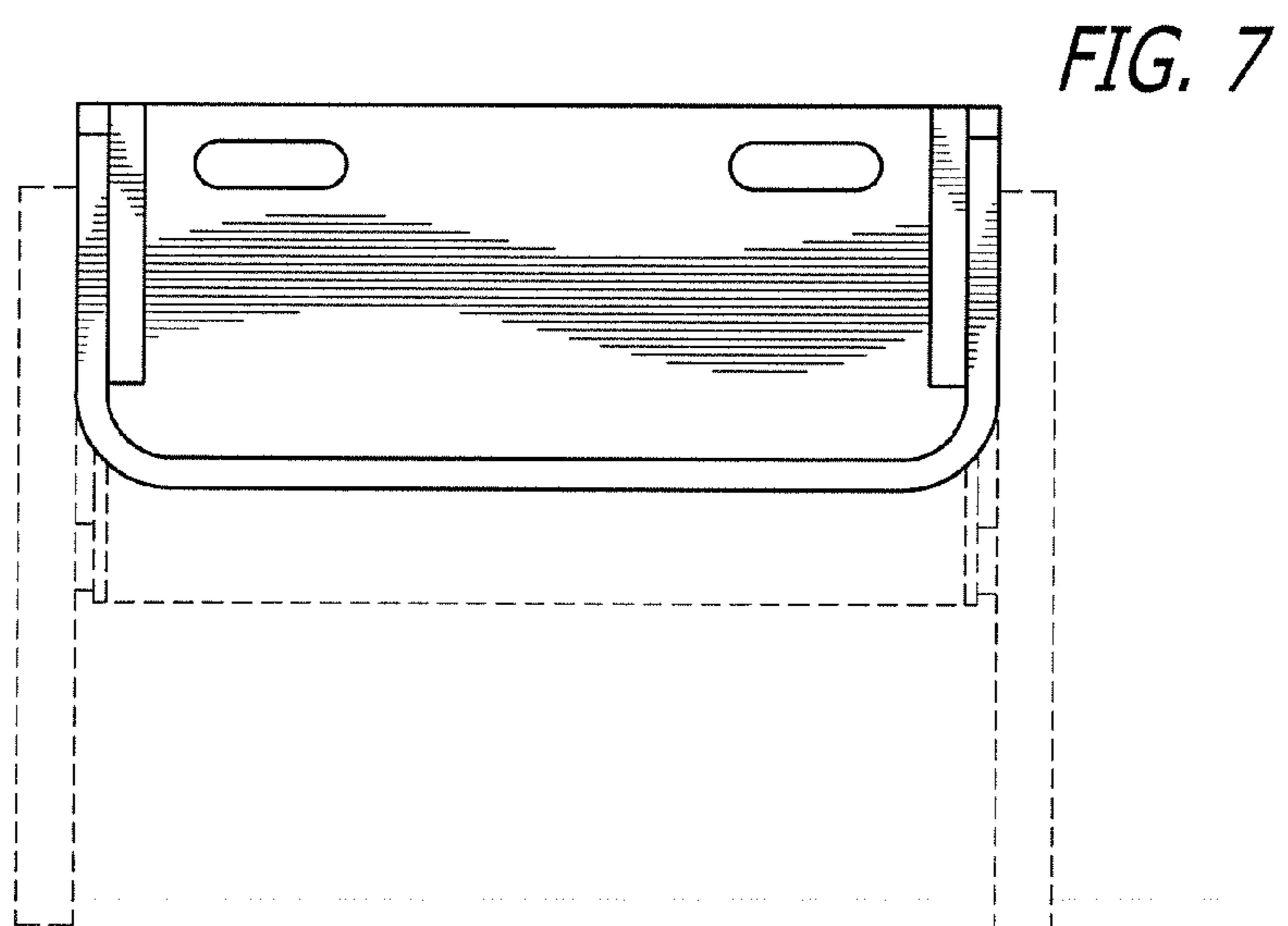
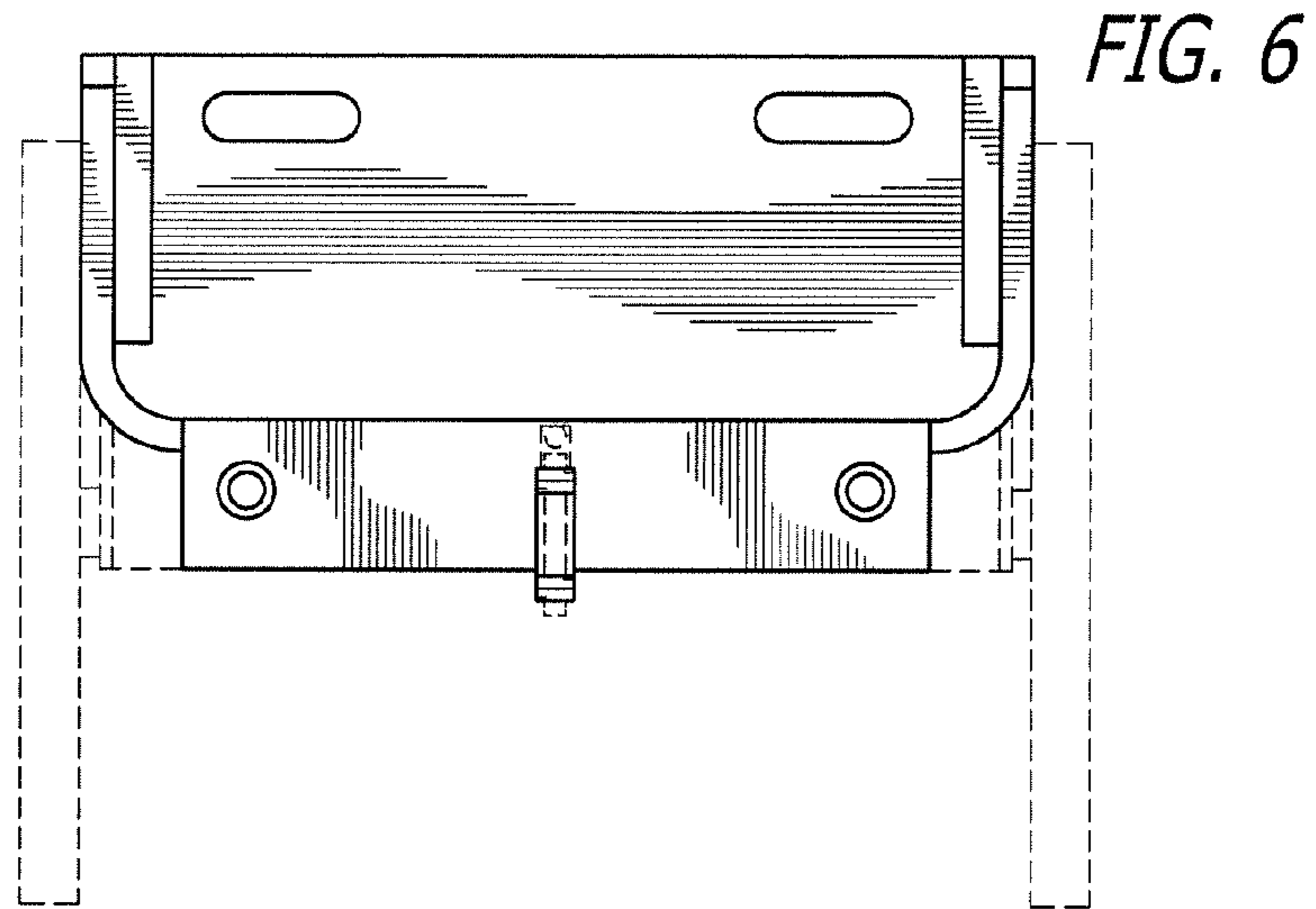
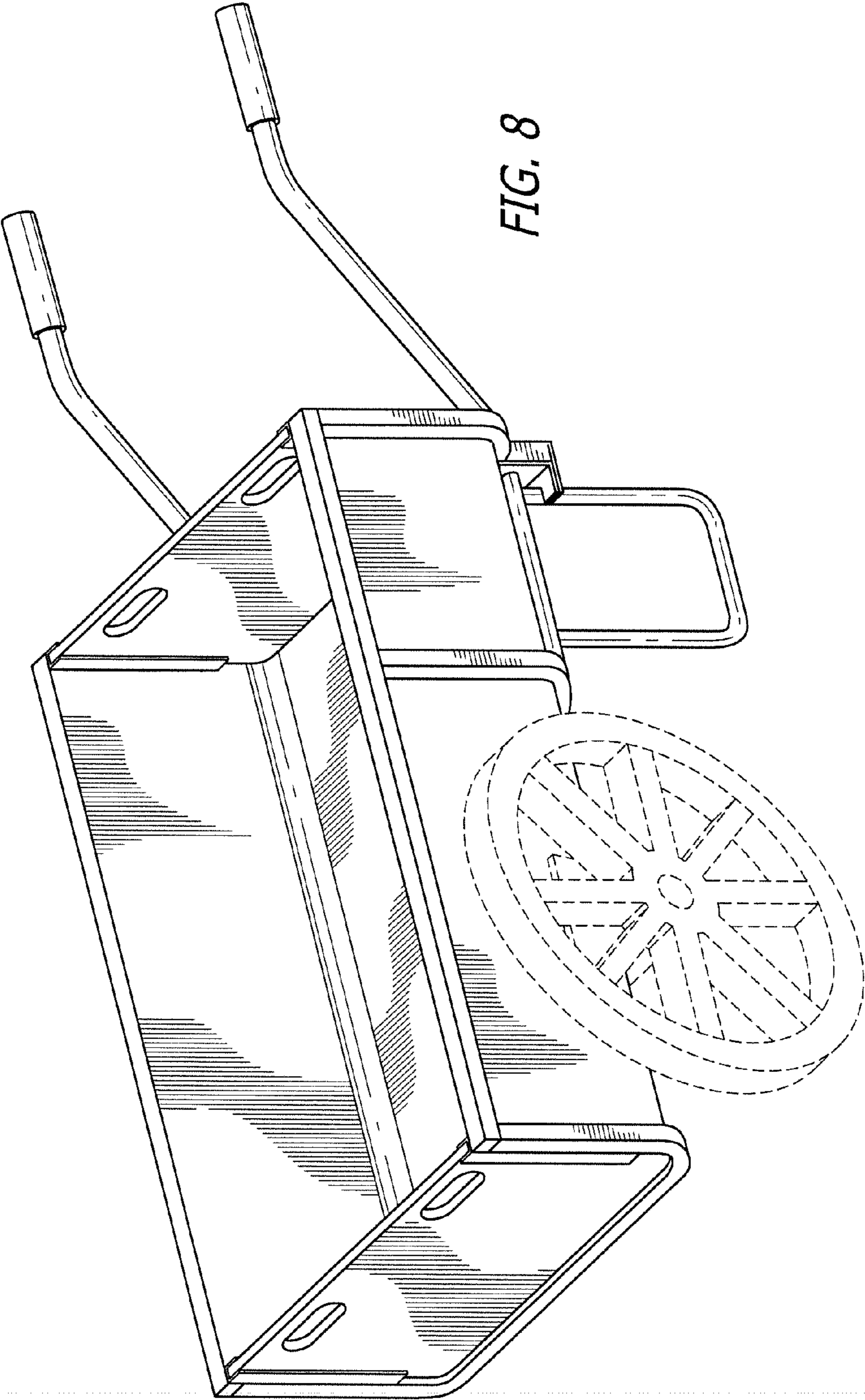


FIG. 4







UNITED STATES PATENT AND TRADEMARK OFFICE
CERTIFICATE OF CORRECTION

PATENT NO. : D751,263 S
APPLICATION NO. : 29/500019
DATED : March 8, 2016
INVENTOR(S) : Bernard Anton Hiestand

Page 1 of 9

It is certified that error appears in the above-identified patent and that said Letters Patent is hereby corrected as shown below:

On the Title Page

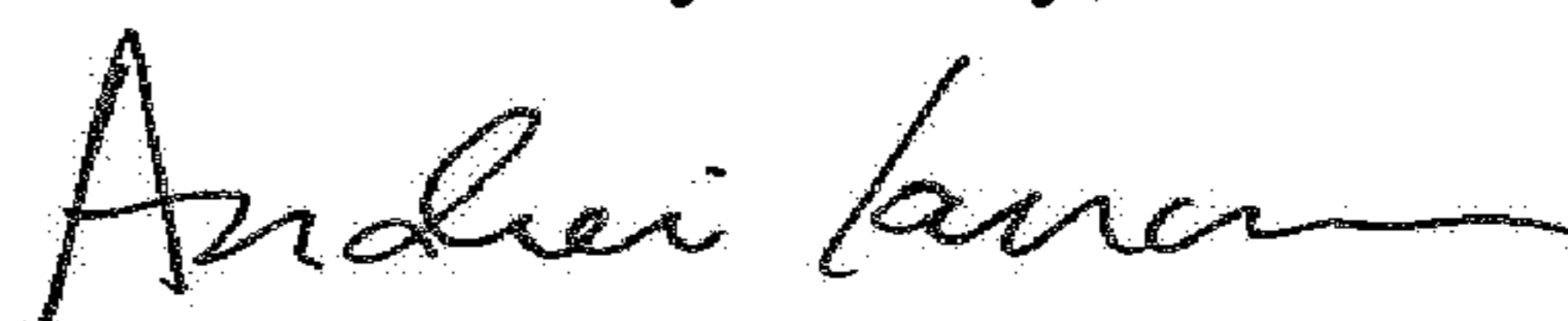
Under Abstract, should read: 1 Claim, 8 Drawings.

Please place Figure 1 under the Abstract.

In the Drawings

Please delete Figures 1-8 and replace them with the Replacement Sheets submitted herewith.

Signed and Sealed this
Third Day of July, 2018



Andrei Iancu
Director of the United States Patent and Trademark Office

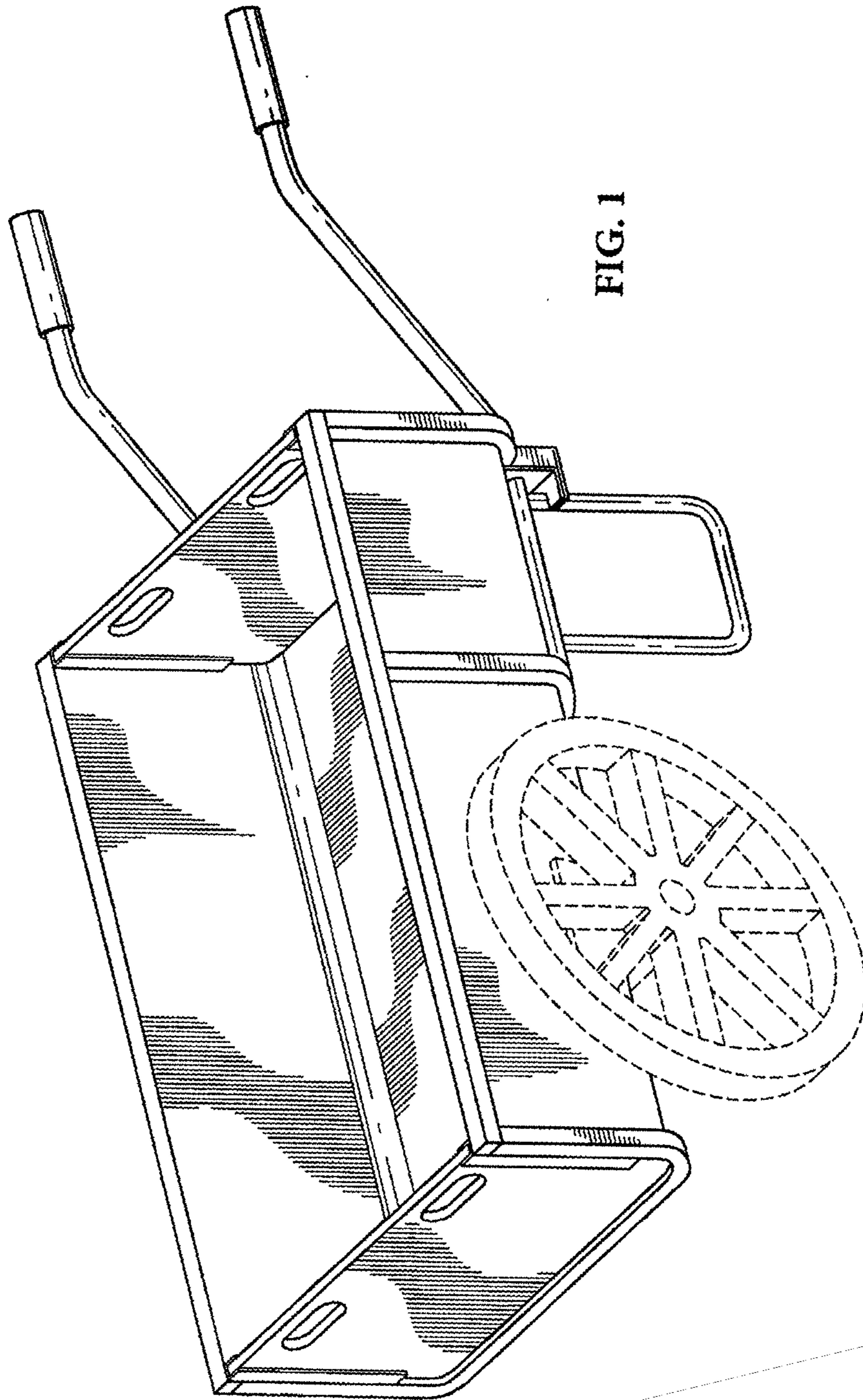


FIG. 1

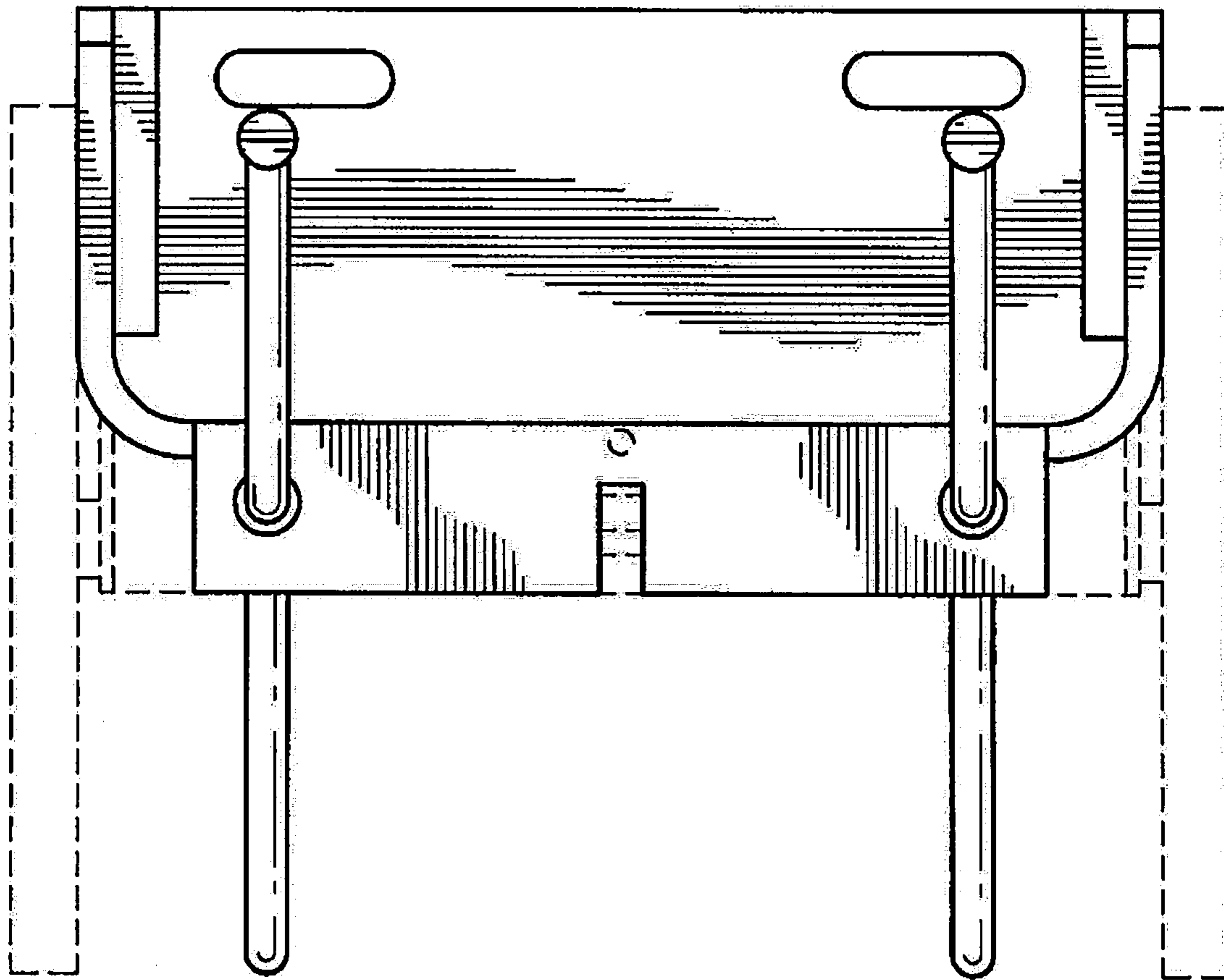


FIG. 2

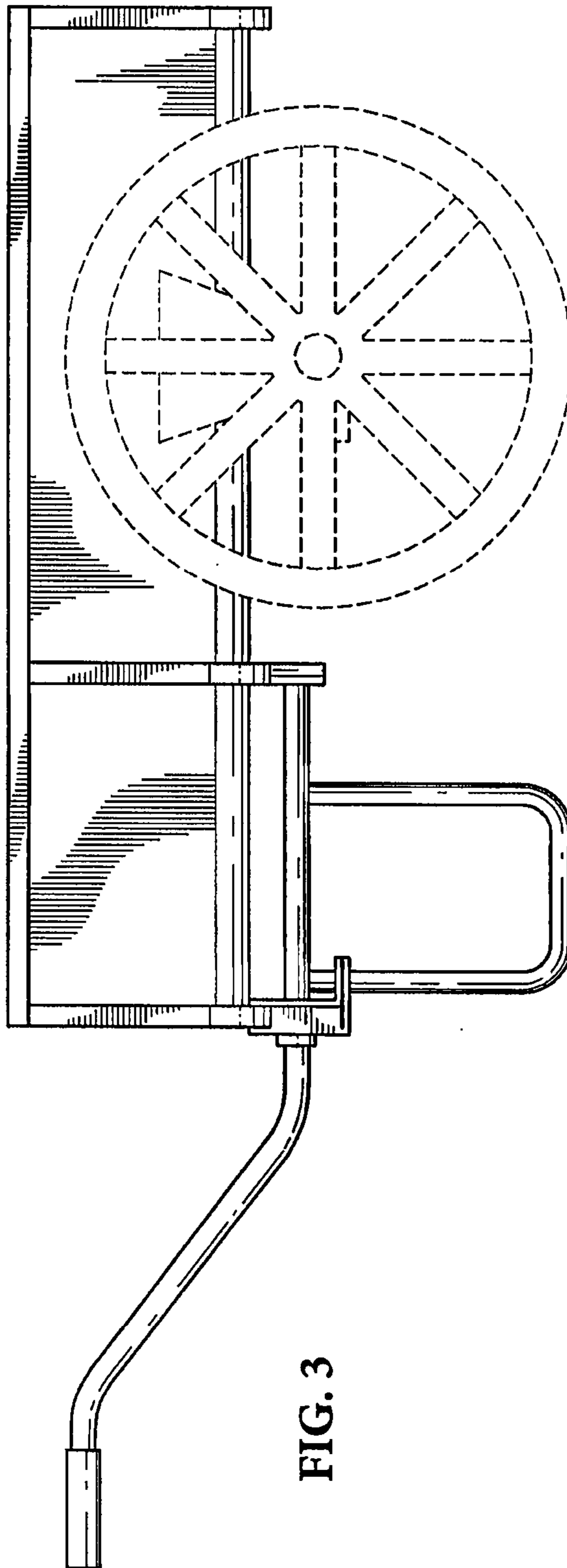


FIG. 3

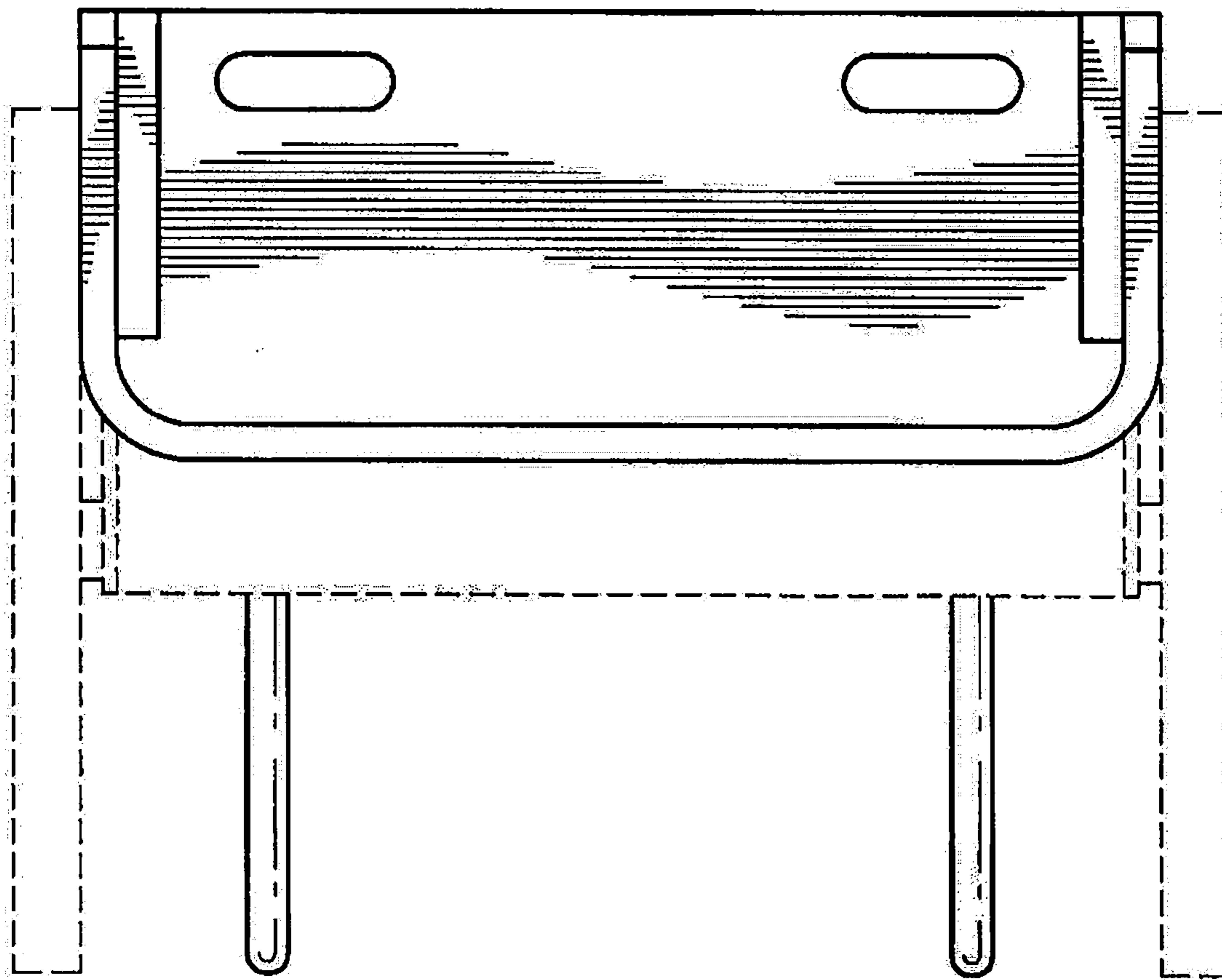


FIG. 4

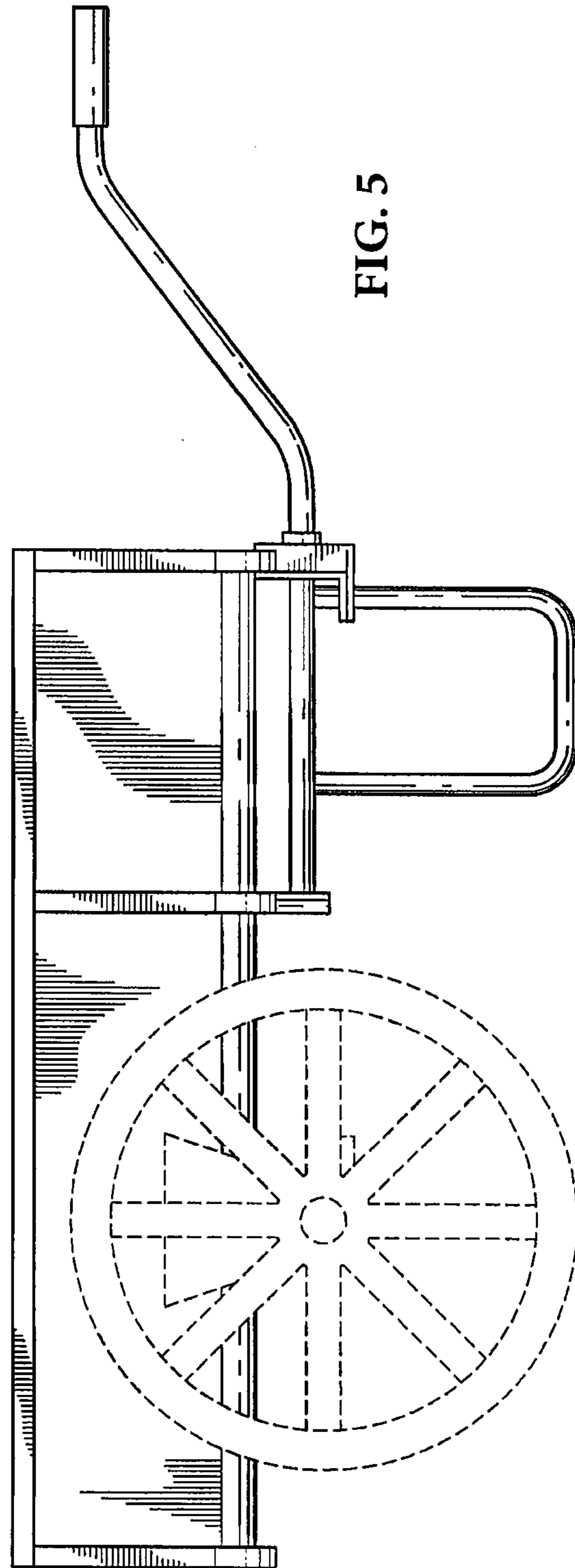


FIG. 5

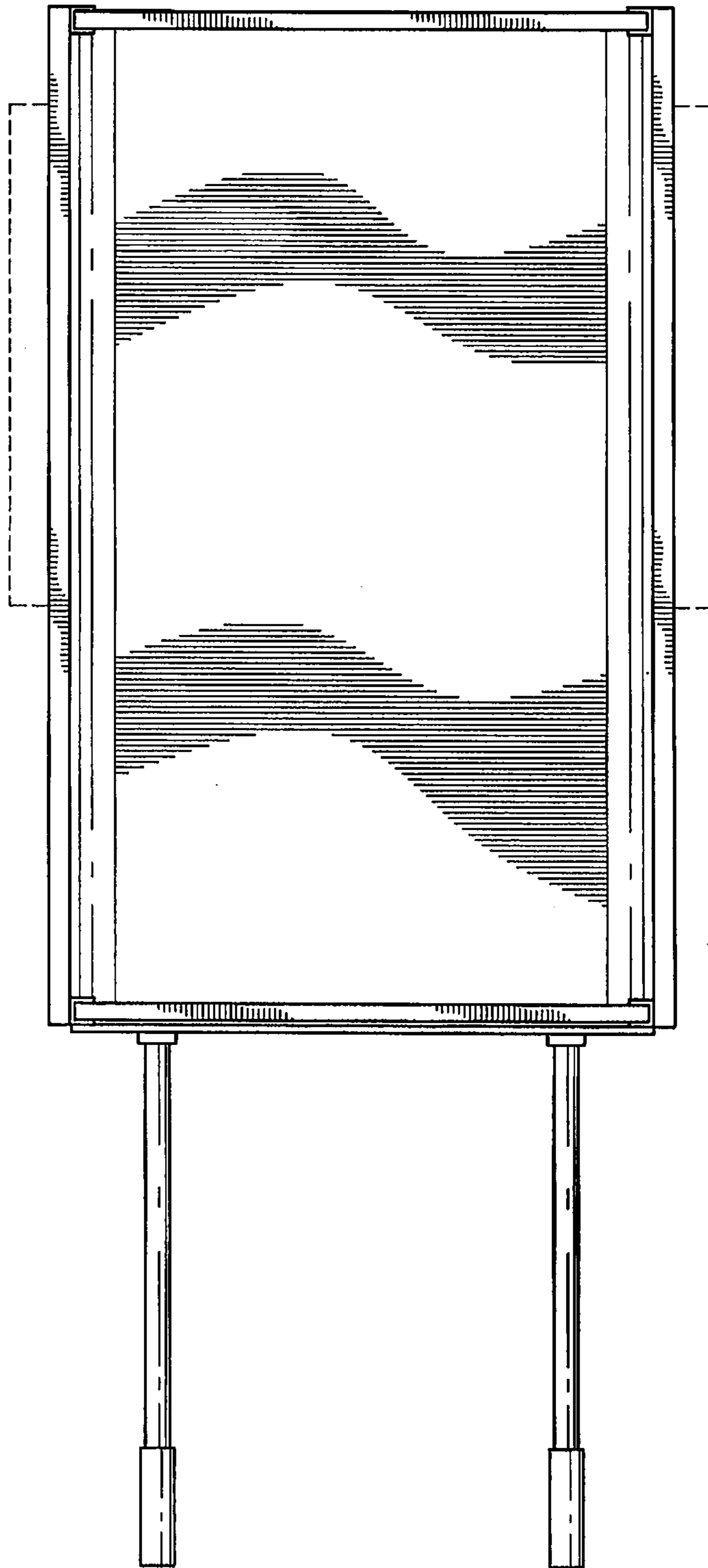


FIG. 6

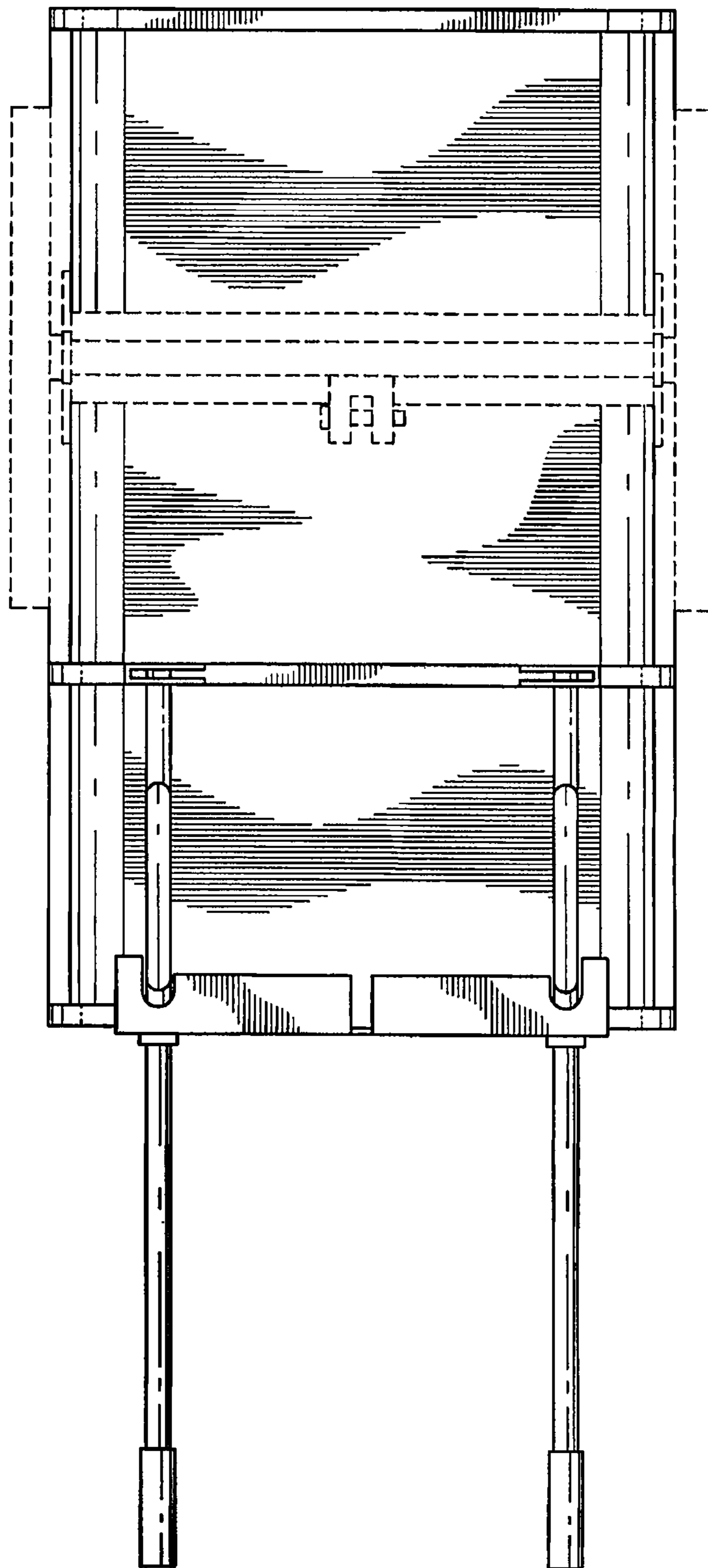


FIG. 7

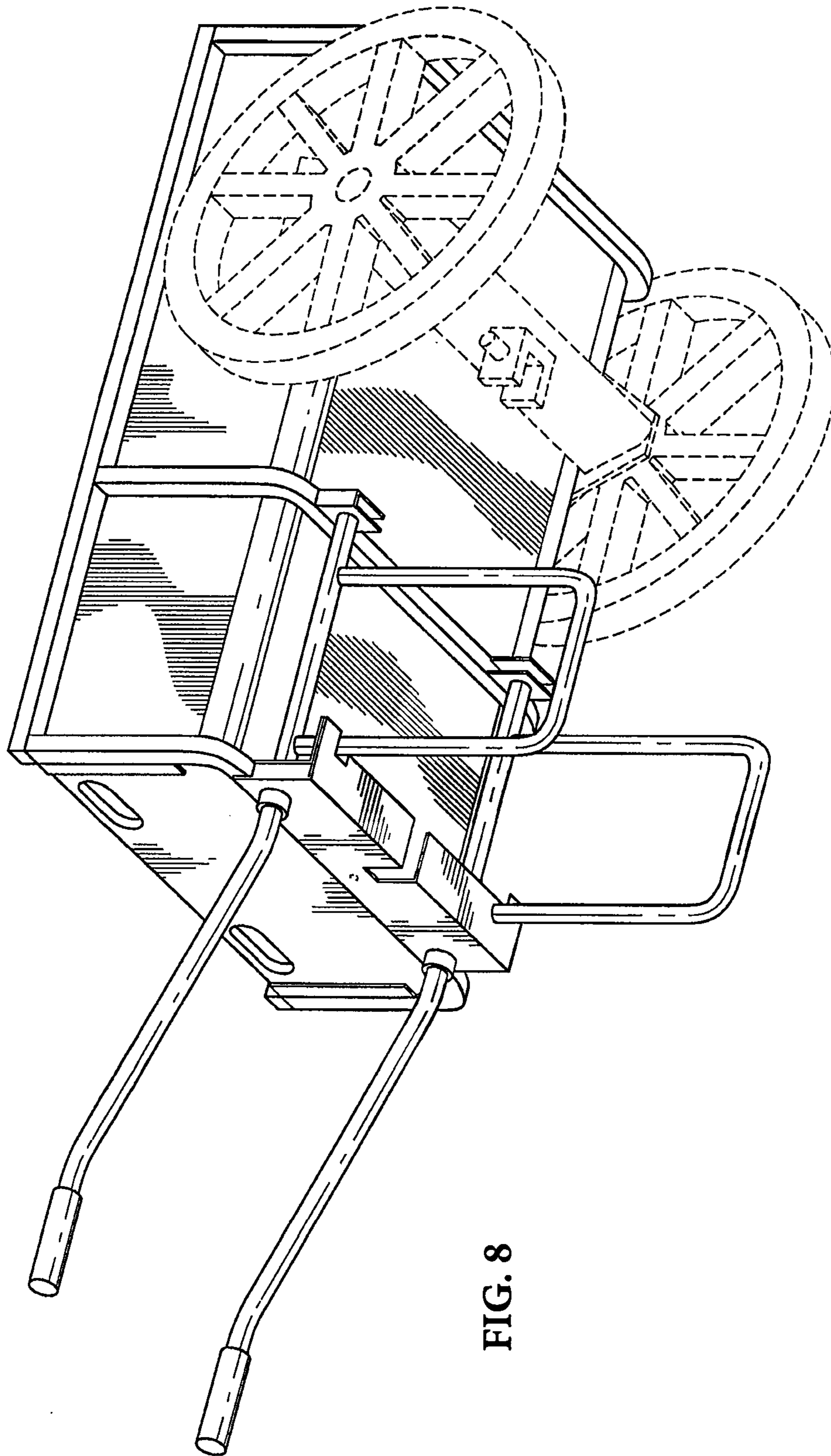


FIG. 8