

US00D751262S

(12) **United States Design Patent**
Currier

(10) **Patent No.:** **US D751,262 S**
(45) **Date of Patent:** **** Mar. 8, 2016**

- (54) **TRASH BASKET FOR CAR**
- (71) Applicant: **Jason A. Currier**, Portland, ME (US)
- (72) Inventor: **Jason A. Currier**, Portland, ME (US)
- (**) Term: **14 Years**
- (21) Appl. No.: **29/502,341**
- (22) Filed: **Sep. 15, 2014**
- (51) **LOC (10) Cl.** **09-09**
- (52) **U.S. Cl.**
USPC **D34/7**
- (58) **Field of Classification Search**
USPC D34/1, 3, 4, 5, 6, 7, 11; 220/908, 500,
220/553, 23.83, 281, 675, 805; D3/201,
D3/203, 206, 273, 274, 302, 202, 205, 215,
D3/226, 232-233, 239, 243, 245-246, 276,
D3/289-290, 106, 39, 40, 42, 51, 49, 78,
D3/99; 150/107, 111; 383/104, 117, 119;
224/42.11, 42.42, 275, 318
CPC B65F 1/1415; B65F 1/0006; B60N 3/08
See application file for complete search history.

7,163,340 B2 *	1/2007	Godshaw	A45C 7/0036
				190/107
D602,693 S *	10/2009	McClees	D3/304
D619,432 S *	7/2010	LaBonte	D3/232
D627,168 S *	11/2010	Cooney	D3/304
D644,389 S *	8/2011	Roberts	D34/7
D703,431 S *	4/2014	Taylor	D3/243
2014/0346177 A1 *	11/2014	Moncrief	A47K 10/46
				220/500

* cited by examiner

Primary Examiner — Cynthia Ramirez

Assistant Examiner — Gino Colan

(57) **CLAIM**

The ornamental design for a trash basket for car, as shown and described.

DESCRIPTION

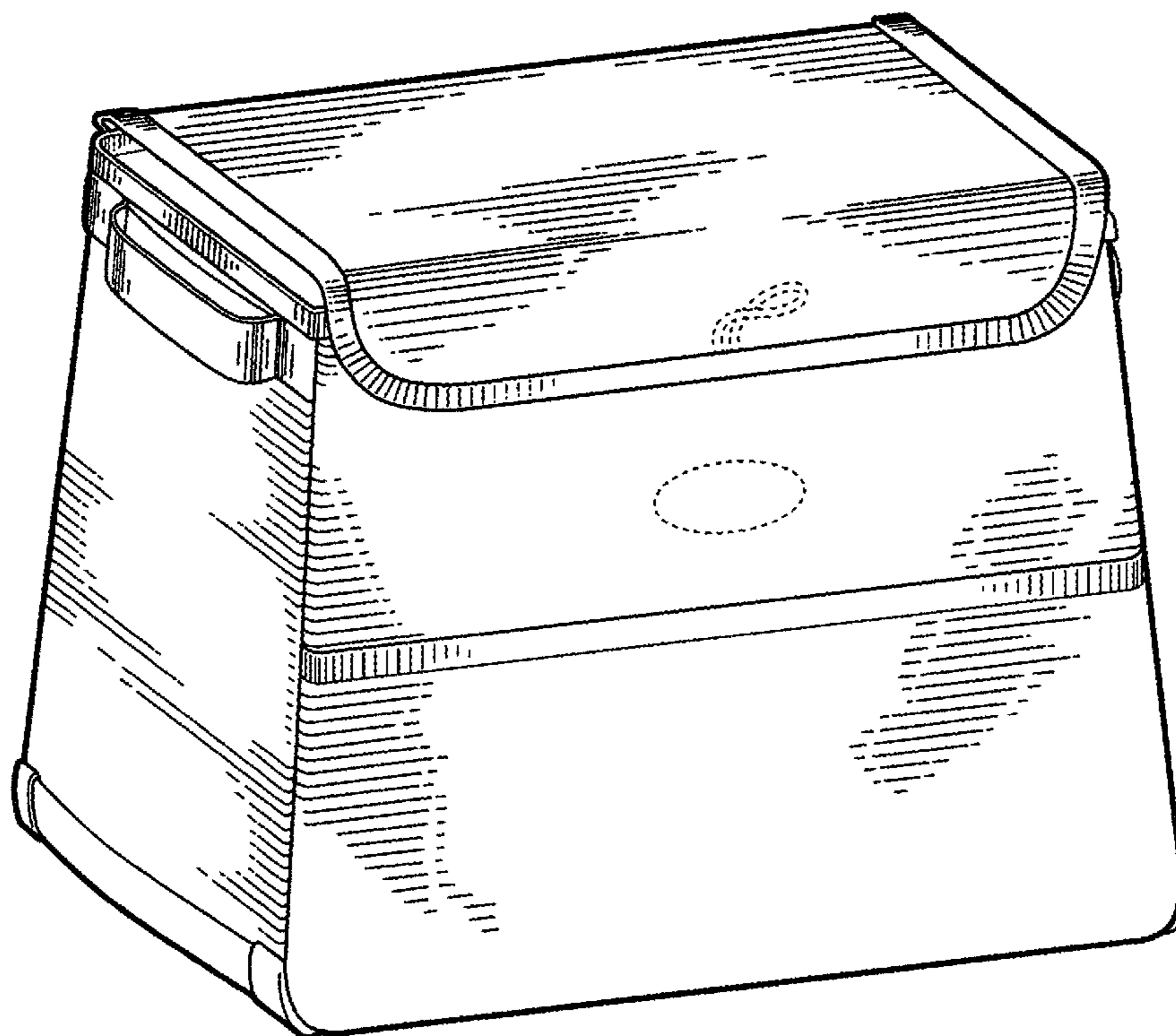
FIG. 1 is a front elevational view of a trash basket for car showing my new design;
 FIG. 2 is a rear elevational view of FIG. 1.
 FIG. 3 is a right elevational view of FIG. 1.
 FIG. 4 is a left elevational view of FIG. 1.
 FIG. 5 is a top plan view of FIG. 1.
 FIG. 6 is a bottom plan view of FIG. 1; and,
 FIG. 7 is a perspective view of FIG. 1.
 The broken lines in the drawings are included for the purpose of illustrating environment and form no part of the claimed design.

1 Claim, 7 Drawing Sheets

(56) **References Cited**

U.S. PATENT DOCUMENTS

D322,498 S *	12/1991	McClees	D12/422
D463,960 S *	10/2002	McDonald	D7/709
D474,602 S *	5/2003	Kranz	D3/232
D534,322 S *	12/2006	Watson	D30/161



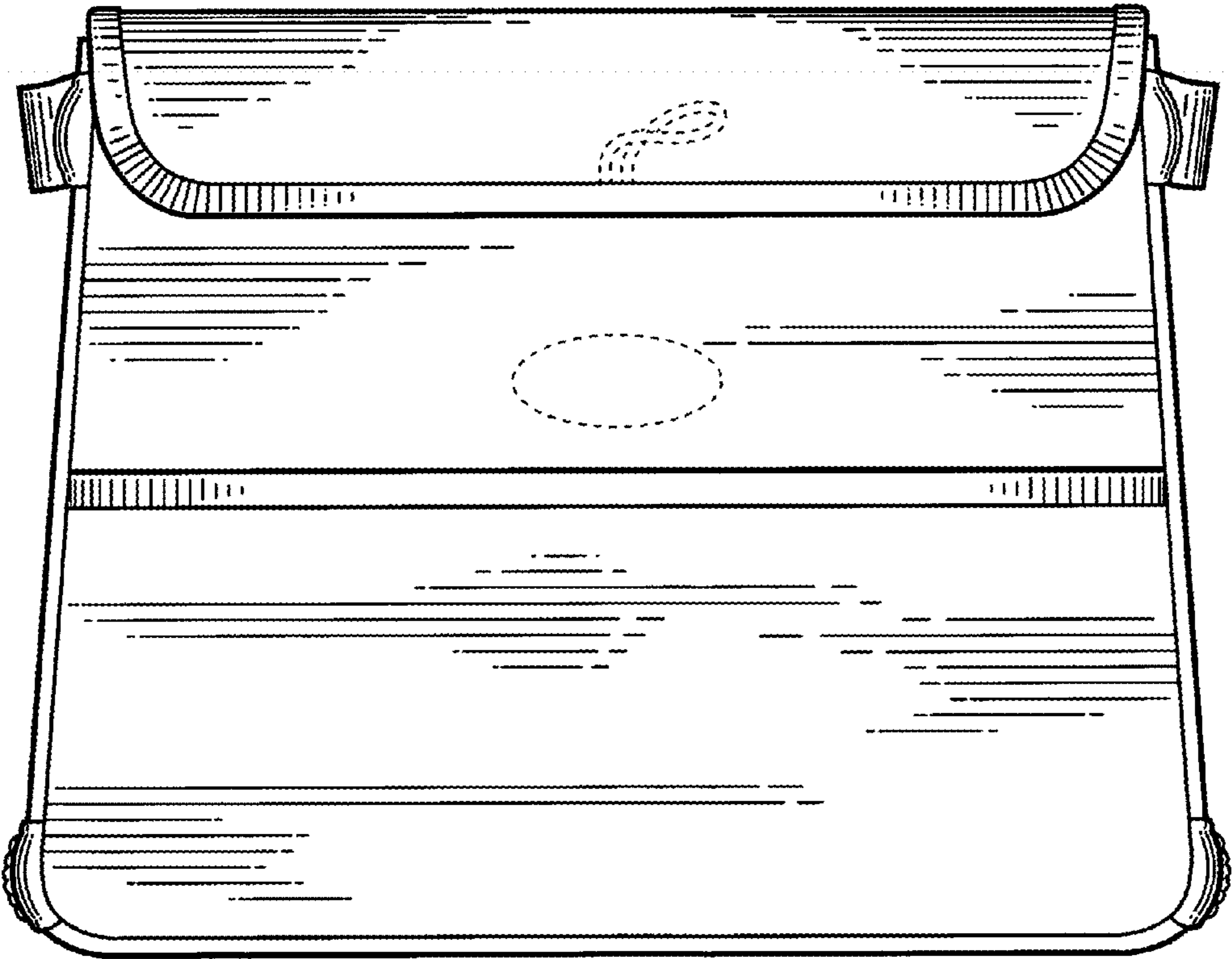


FIG. 1

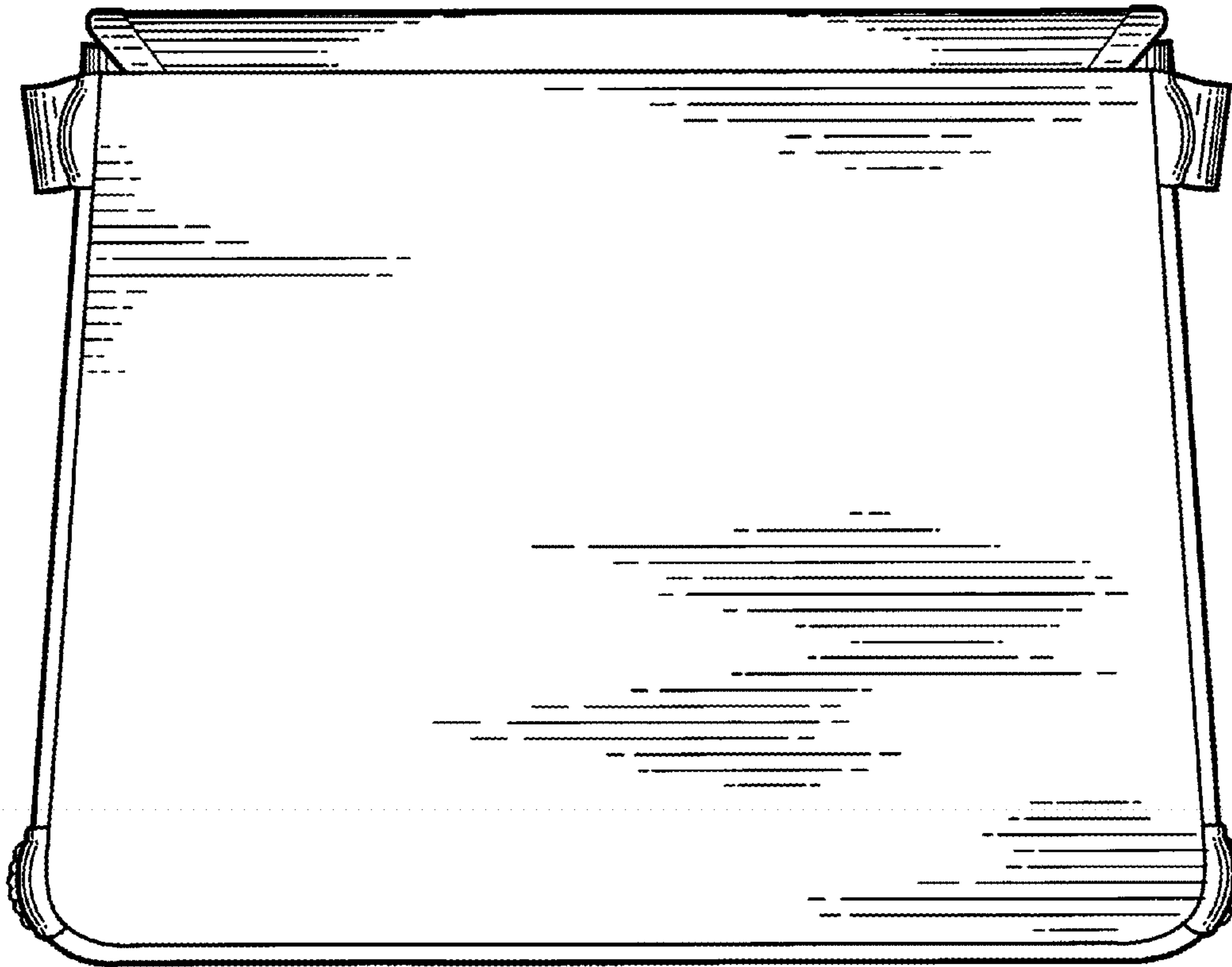


FIG. 2

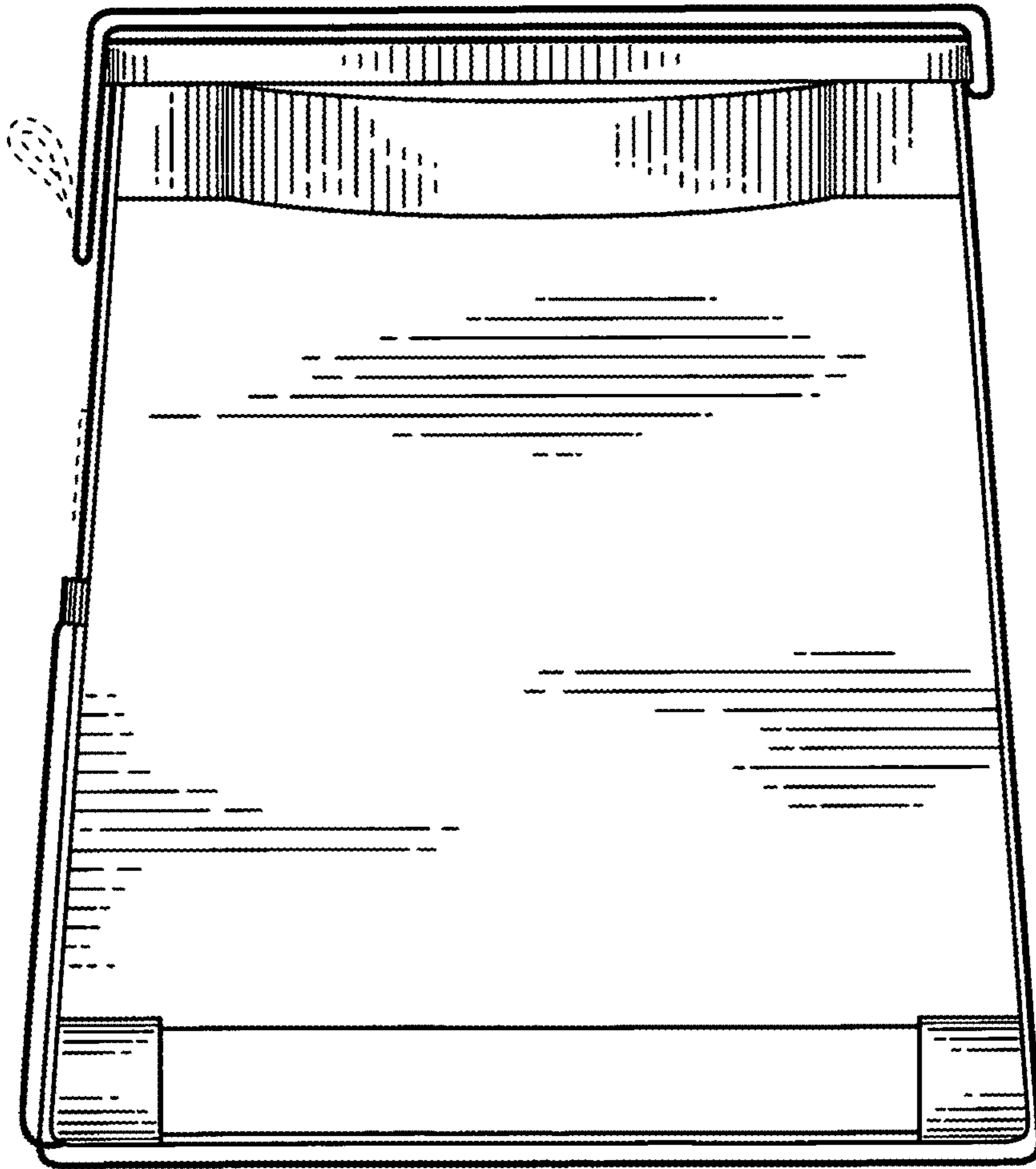


FIG. 3

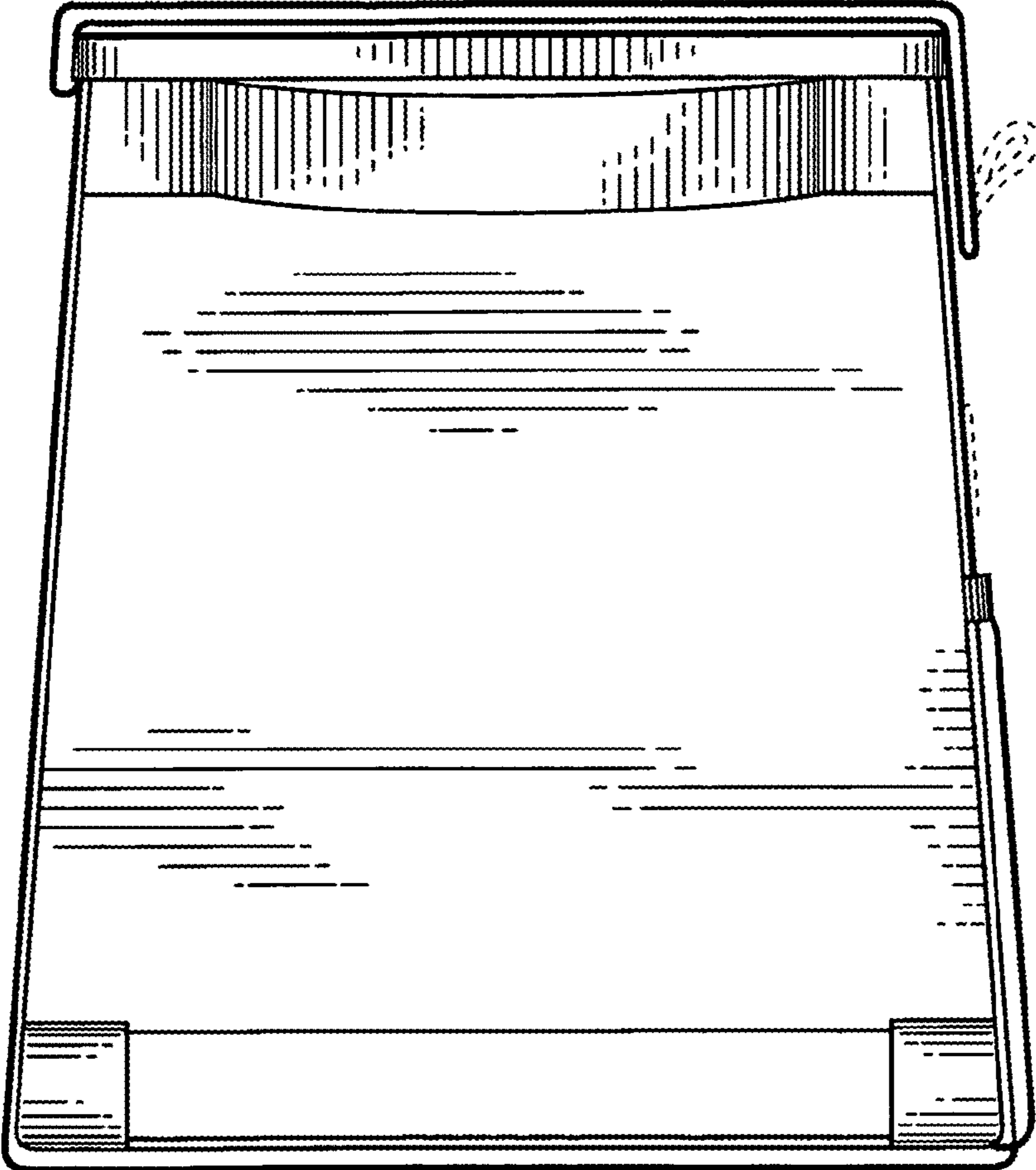


FIG. 4

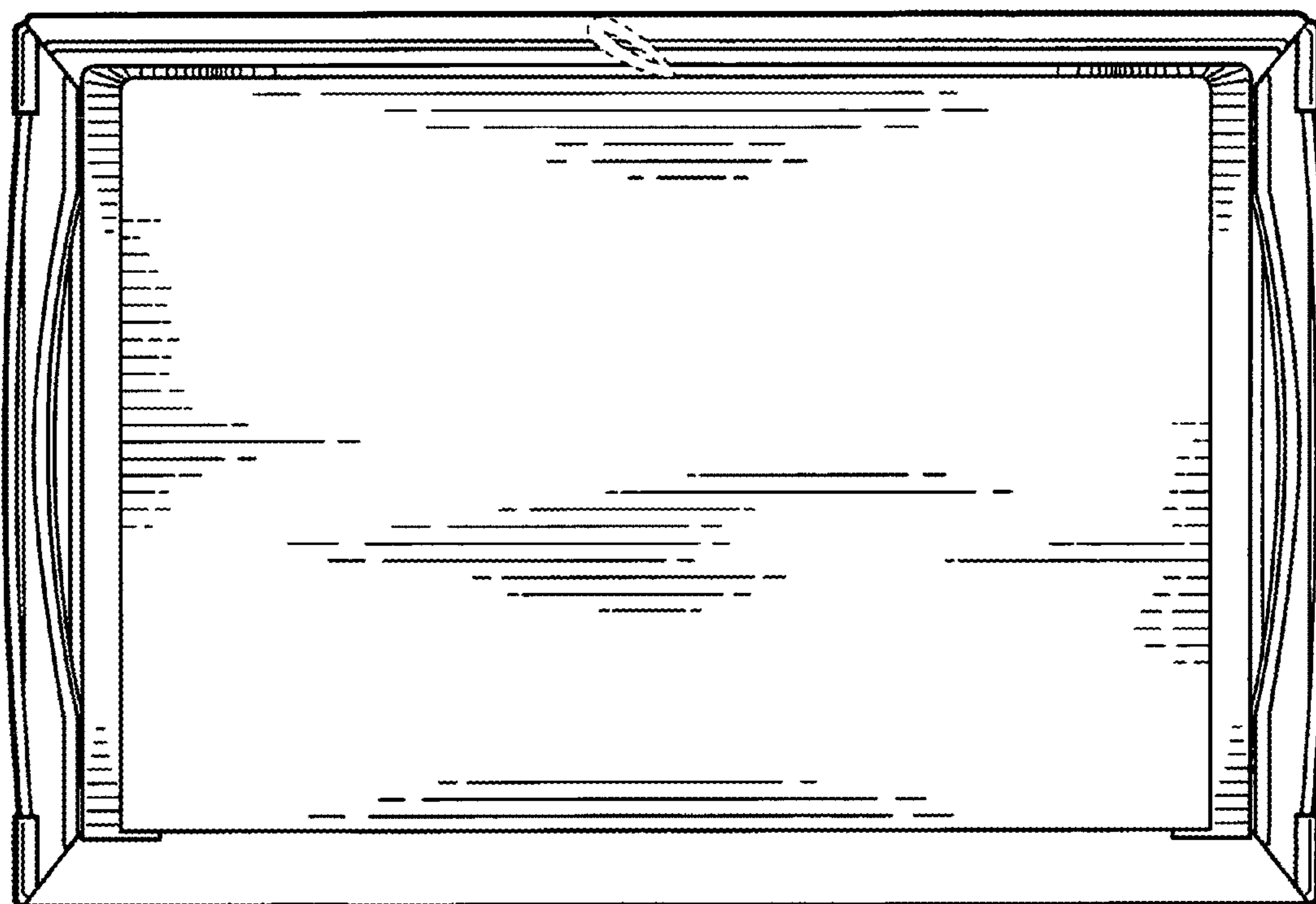


FIG. 5

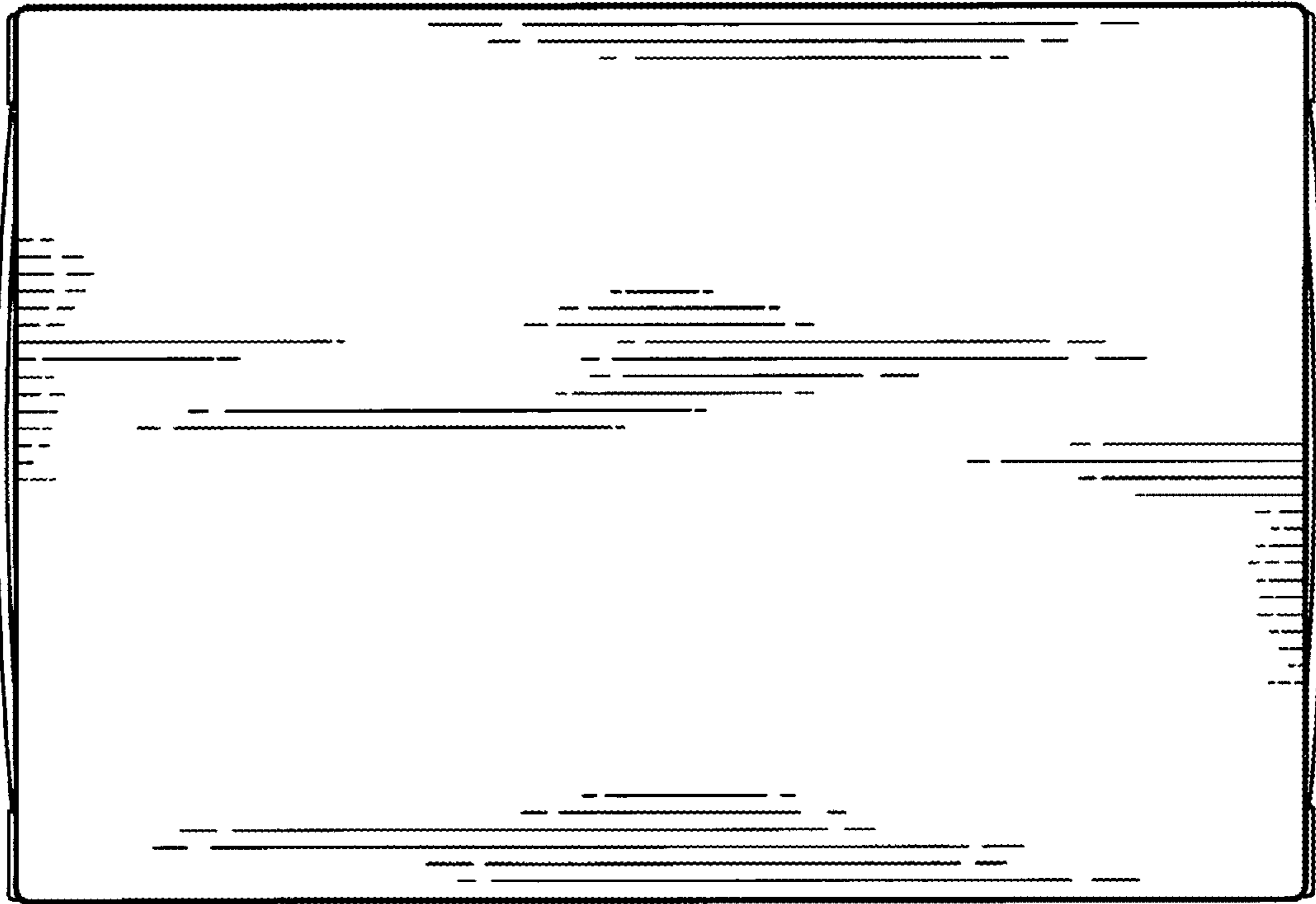


FIG. 6

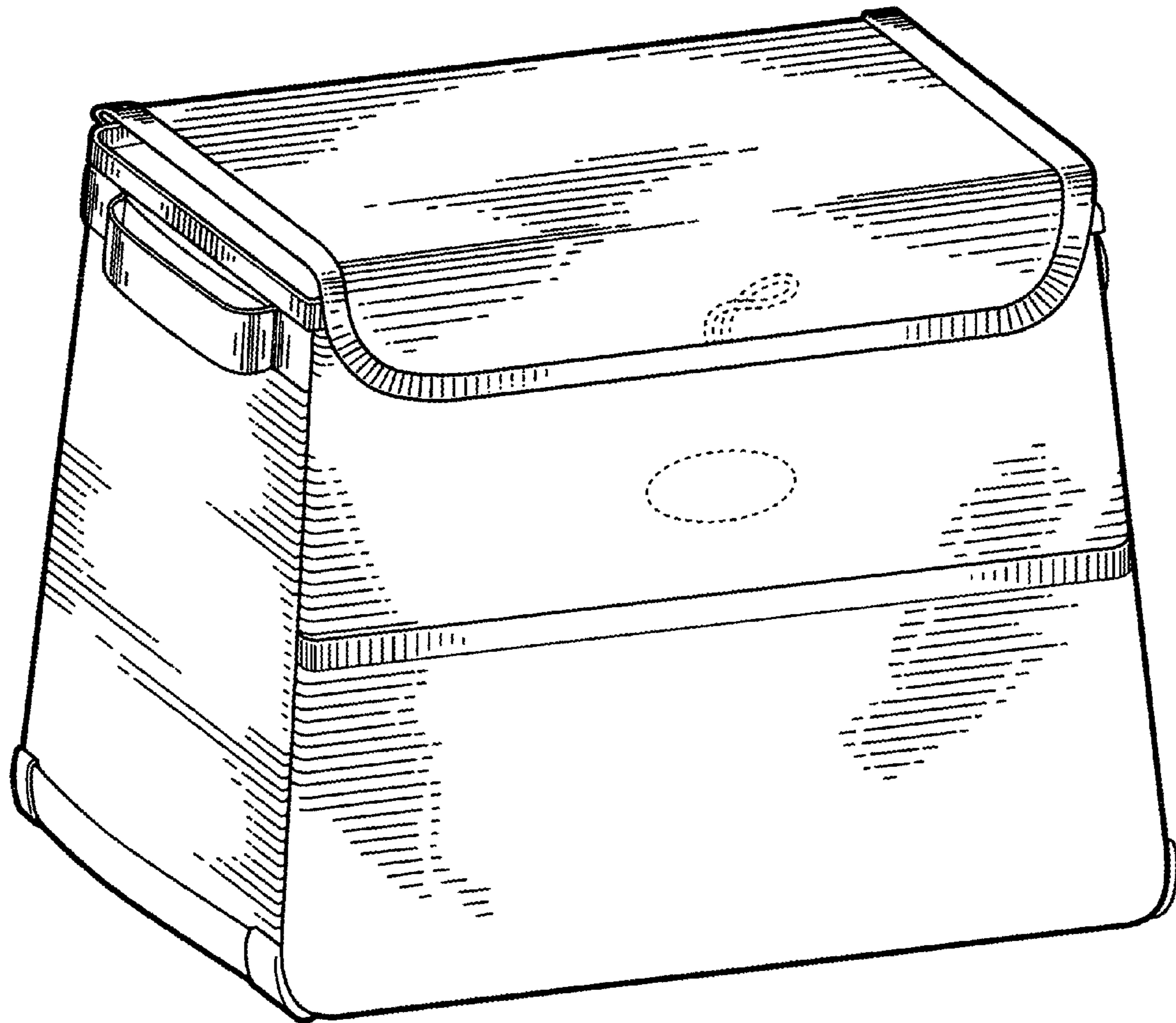


FIG. 7