



US00D751253S

(12) **United States Design Patent**  
**Hollinger**

(10) **Patent No.:** **US D751,253 S**  
(45) **Date of Patent:** **\*\* Mar. 8, 2016**

- (54) **DUAL HEAD PEDICURE DEVICE**
- (71) Applicant: **E. MISHAN & SONS, INC.**, New York, NY (US)
- (72) Inventor: **Fred Hollinger**, Monroe Township, NJ (US)
- (73) Assignee: **E. MISHAN & SONS, INC.**, New York, NY (US)

D681,277 S *	4/2013	Yiu	.....	D28/49
D686,370 S *	7/2013	Yiu	.....	D24/133
D692,181 S *	10/2013	Yiu	.....	D28/49
D701,648 S *	3/2014	Yiu	.....	D24/133
D709,650 S *	7/2014	Yiu	.....	D28/58
D715,493 S *	10/2014	Yiu	.....	D28/49
D733,965 S *	7/2015	Yiu	.....	D28/49
D736,999 S *	8/2015	Yiu	.....	D28/58
D737,517 S *	8/2015	Yiu	.....	D28/49
D737,519 S *	8/2015	Yiu	.....	D28/54
D737,520 S *	8/2015	Yiu	.....	D28/54

(\*\*) Term: **15 Years**

(21) Appl. No.: **29/531,502**

(22) Filed: **Jun. 26, 2015**

(51) **LOC (10) Cl.** ..... **28-03**

(52) **U.S. Cl.**  
USPC ..... **D28/58; D28/59; D28/44.1**

(58) **Field of Classification Search**  
USPC ..... D28/56, 57, 58, 59, 44.1  
CPC ..... A45D 29/14; A45D 29/05; A45D 29/00;  
A45D 44/00; A45D 2200/1054; A61B  
2017/320004; A61B 17/54  
See application file for complete search history.

(56) **References Cited**

**U.S. PATENT DOCUMENTS**

D676,200 S *	2/2013	Yiu	.....	D24/133
D678,614 S *	3/2013	Yiu	.....	D24/133

\* cited by examiner

*Primary Examiner* — Jennifer Rivard

(74) *Attorney, Agent, or Firm* — Notaro, Michalos & Zaccaria P.C.

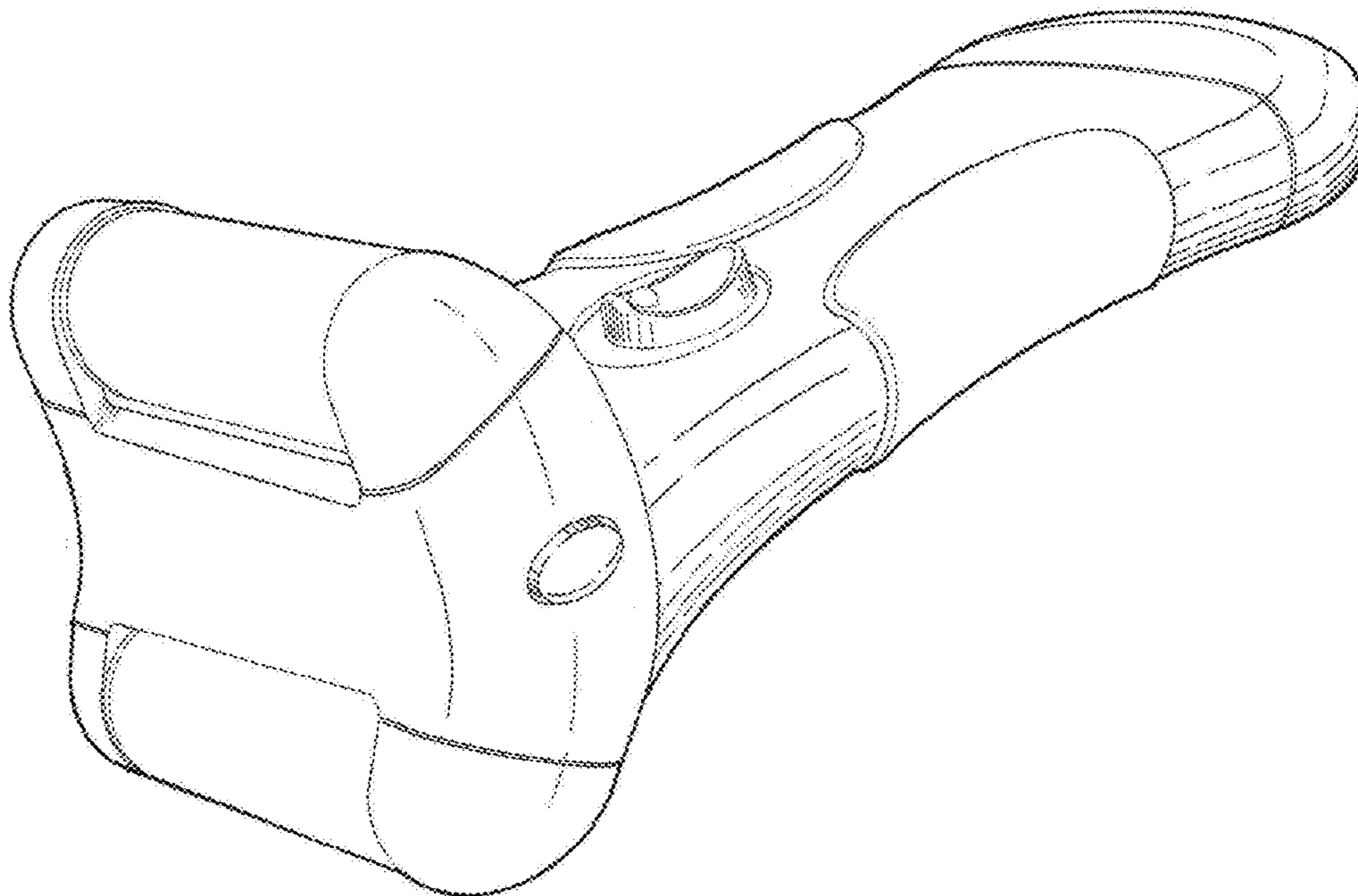
(57) **CLAIM**

The ornamental design for a dual head feel pedicure device, as shown and described.

**DESCRIPTION**

FIG. 1 is a front, left, top perspective view of a dual head pedicure device showing my design therefor; FIG. 2 is a front elevational view thereof; FIG. 3 is a rear elevational view thereof; FIG. 4 is a right side elevational view thereof; FIG. 5 is a top plan view thereof; and, FIG. 6 is a bottom plan view thereof.

**1 Claim, 6 Drawing Sheets**



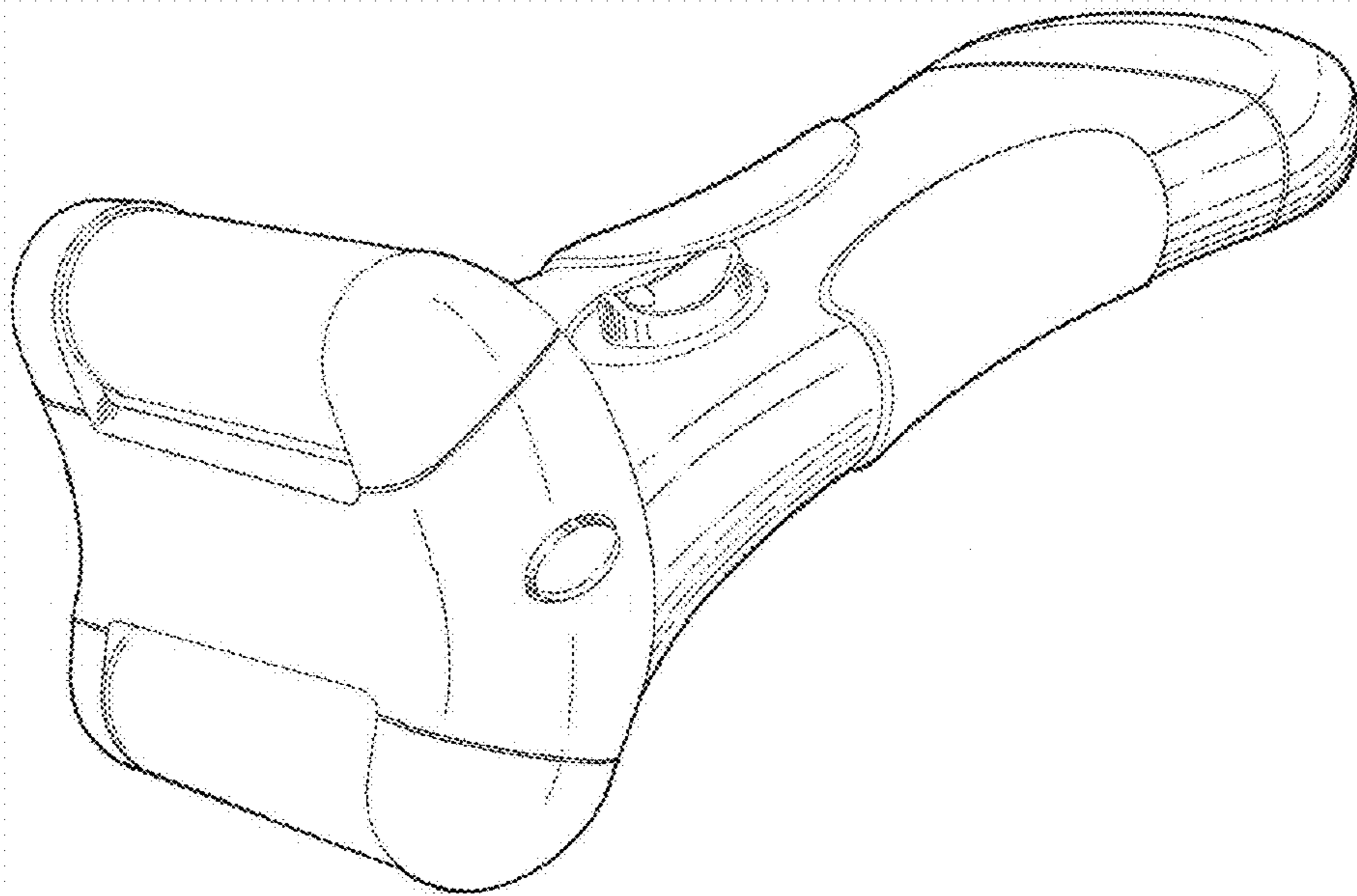


Fig. 1

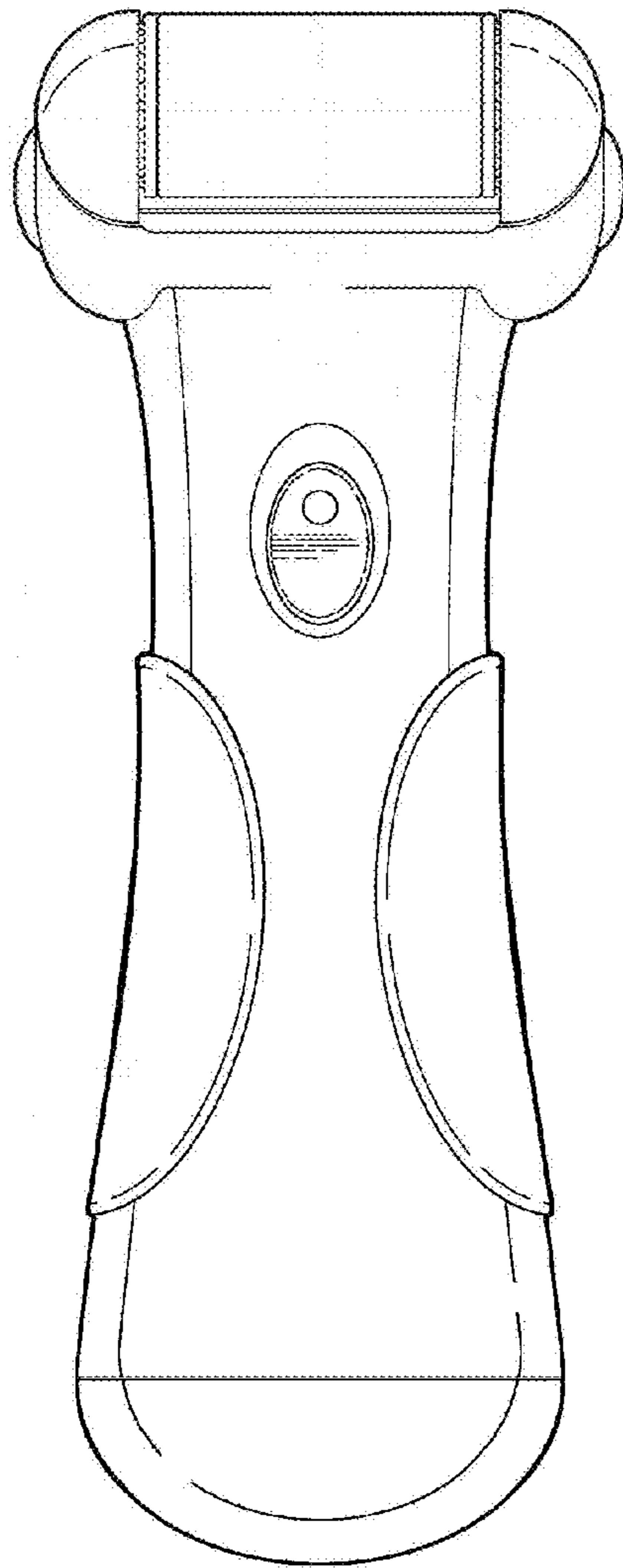


Fig. 2

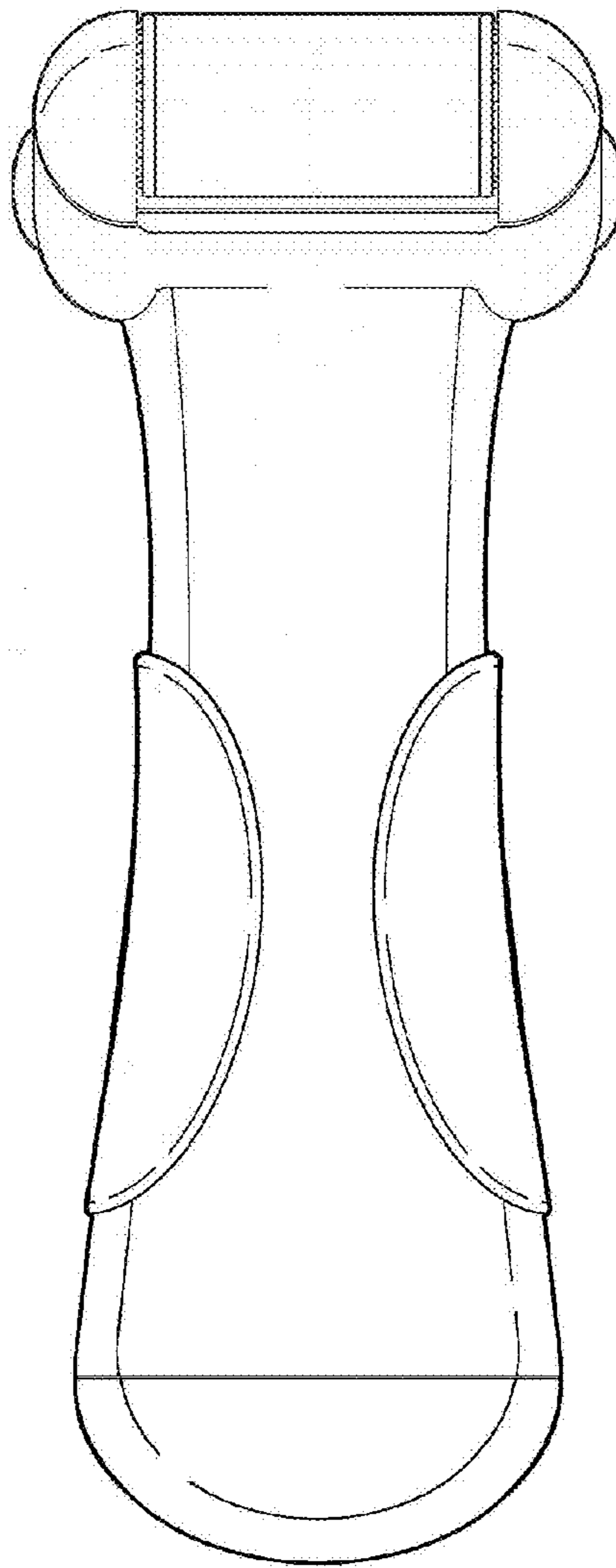


Fig. 3

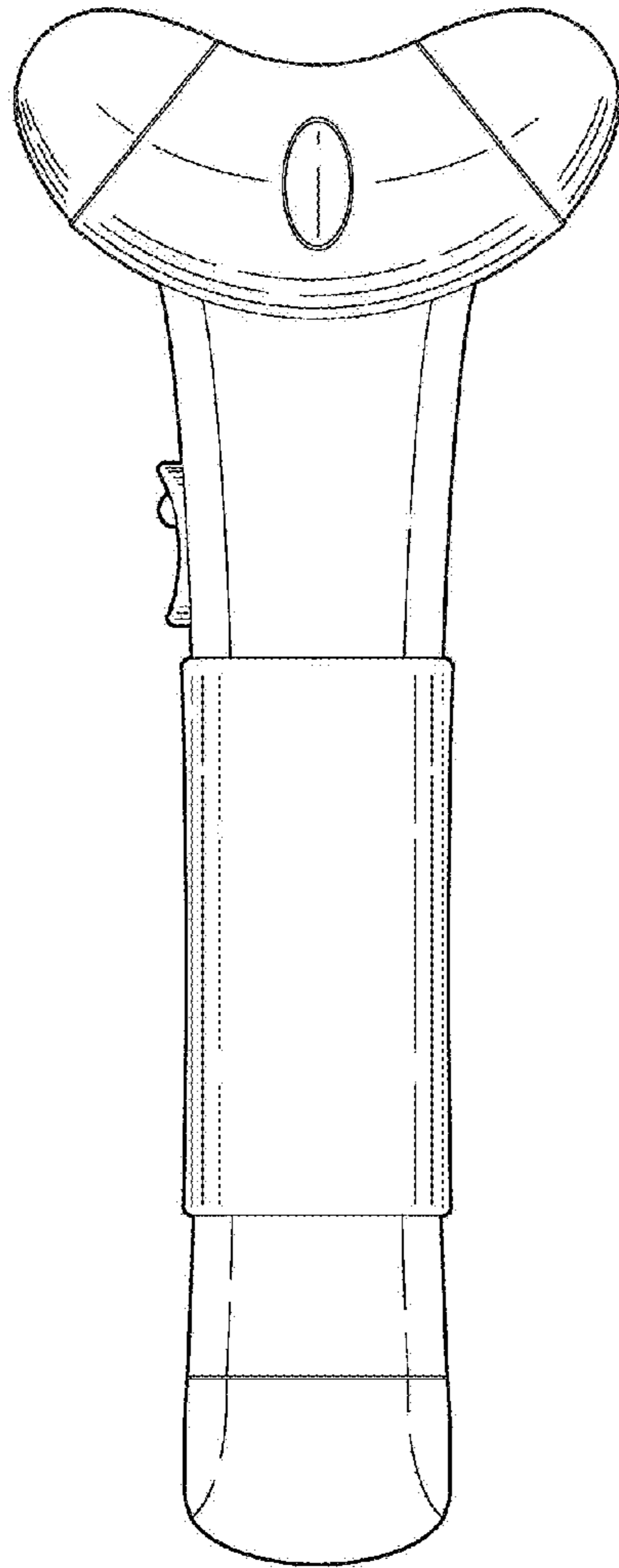


Fig. 4

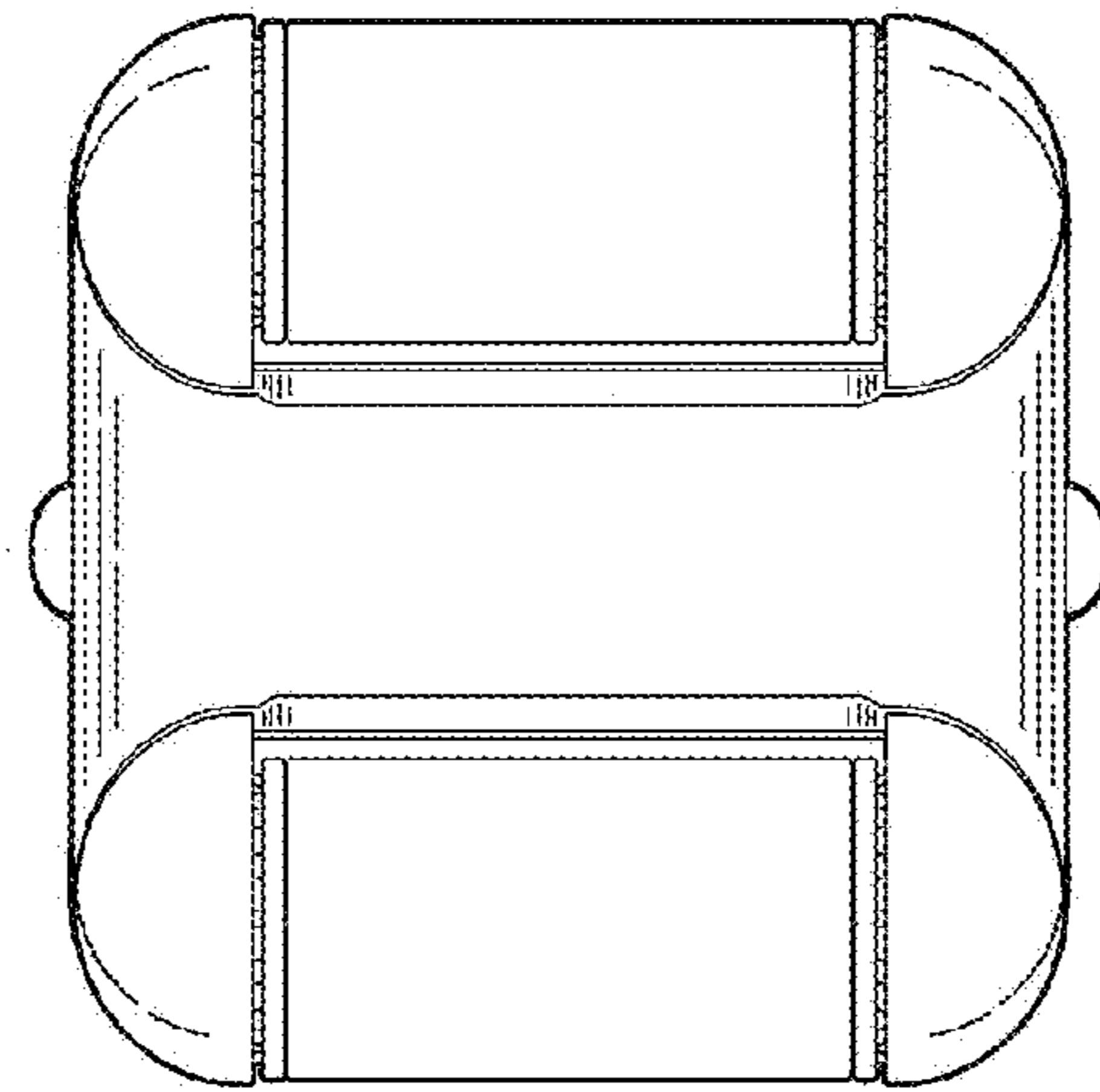


Fig. 5

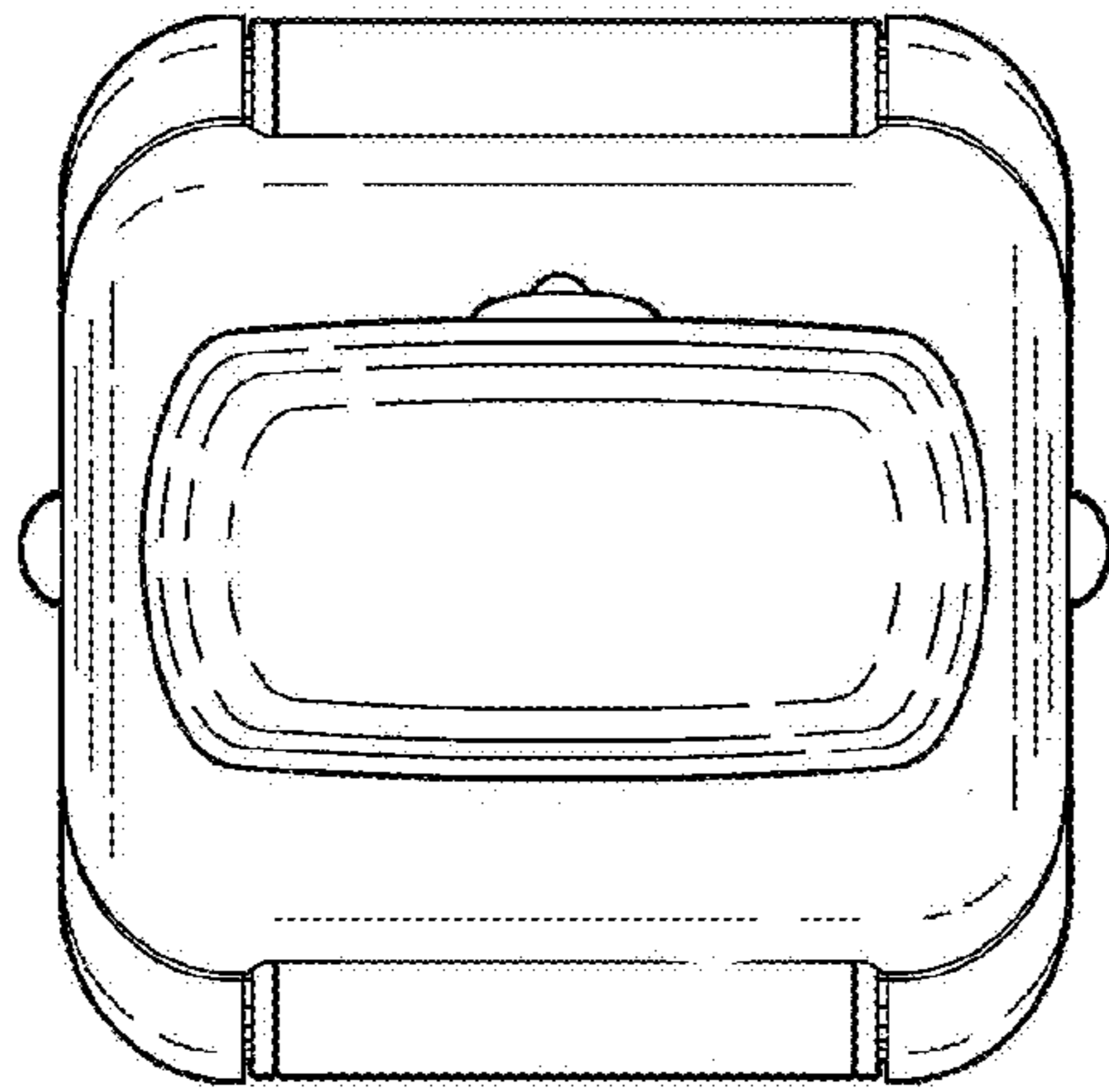


Fig. 6