



US00D751252S

(12) **United States Design Patent**
Grabes et al.

(10) **Patent No.:** **US D751,252 S**
(45) **Date of Patent:** **** Mar. 8, 2016**

(54) **SHAVER**

(56) **References Cited**

(71) Applicant: **Braun GmbH**, Cincinnati, OH (US)

U.S. PATENT DOCUMENTS

(72) Inventors: **Oliver Grabes**, Kronberg (DE); **Bjorn Kling**, Kronberg (DE); **Rory McGarry**, Kronberg (DE); **Markus Orthey**, Kronberg (DE); **Gregor Ptok**, Kronberg (DE); **Fritz Schubert**, Kronberg (DE); **Bernhard Sikora**, Kronberg (DE); **Renke Joris Thye**, Kronberg (DE)

D513,341 S 12/2005 Ullmann
D513,346 S 12/2005 Buck, Jr.
D513,541 S 1/2006 Nishizawa
7,107,692 B2 9/2006 Kappes et al.
D551,801 S 9/2007 Ullmann
D561,940 S 2/2008 Ullmann

(Continued)

(73) Assignee: **Braun GmbH**, Kronberg (DE)

Primary Examiner — Jennifer Rivard

(**) Term: **14 Years**

(74) *Attorney, Agent, or Firm* — Ronald Terk Sia; Kevin C. Johnson; Steven W. Miller

(21) Appl. No.: **29/481,691**

(57) **CLAIM**

(22) Filed: **Feb. 10, 2014**

The ornamental design for a shaver, as shown and described above.

Related U.S. Application Data

(62) Division of application No. 29/460,567, filed on Jul. 12, 2013, now Pat. No. Des. 702,882, which is a division of application No. 29/441,248, filed on Jan. 3, 2013, now Pat. No. Des. 689,242, which is a division of application No. 29/397,090, filed on Jul. 12, 2011, now Pat. No. Des. 676,602.

DESCRIPTION

(30) **Foreign Application Priority Data**

Jan. 12, 2011 (WO) 581840201

(51) **LOC (10) Cl.** **28-03**

(52) **U.S. Cl.**
USPC **D28/51**

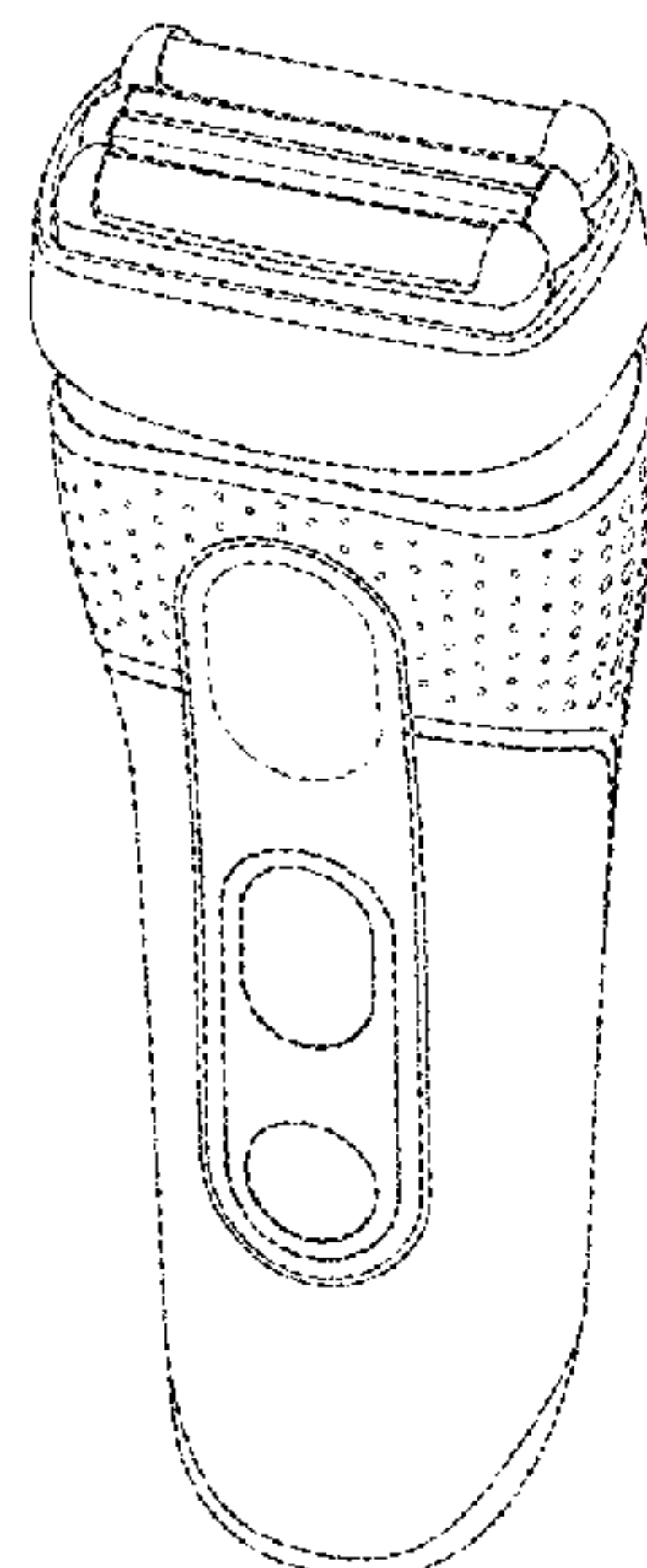
(58) **Field of Classification Search**
USPC 30/32, 34.05, 34.1–34.2, 30–31,
30/43–43.92, 44–45, 47–51, 77–84,
30/526–541, 346.5–346.61, 194–196,
30/198–205, 208–216, 233–233.5;
D28/44–44.1, 45–54

CPC B26B 19/02–19/48; B26B 19/06–19/107;
B26B 19/12–19/148; B26B 19/26–19/265;
B26B 19/28–19/36

See application file for complete search history.

FIG. 1 is a perspective view of the first embodiment of a shaver;
FIG. 2 is a front view thereof;
FIG. 3 is a right side view thereof;
FIG. 4 is a rear view thereof;
FIG. 5 is a left side view thereof;
FIG. 6 is a top plan view thereof;
FIG. 7 is a bottom plan view thereof;
FIG. 8 is a perspective view of the second embodiment of a shaver;
FIG. 9 is a front view thereof;
FIG. 10 is a right side view thereof;
FIG. 11 is a rear view thereof;
FIG. 12 is a left side view thereof;
FIG. 13 is a top plan view thereof; and,
FIG. 14 is a bottom plan view thereof.
The broken lines shown in the drawings illustrate portions of the article and form no part of the claimed design.

1 Claim, 6 Drawing Sheets



(56)

References Cited

U.S. PATENT DOCUMENTS

D571,957 S	6/2008	Nishizawa	D680,271 S	4/2013	Grabes et al.
D571,960 S	6/2008	Nishizawa	D689,242 S	9/2013	Grabes et al.
D572,408 S	7/2008	Nishizawa	D690,880 S	10/2013	Grabes et al.
D586,955 S	2/2009	Eigenstetter et al.	D702,882 S *	4/2014	Grabes D28/51
D587,849 S	3/2009	Nishizawa	2001/0023538 A1 *	9/2001	Muraguchi B26B 19/02 30/43.92
D590,542 S	4/2009	Ullmann	2004/0194326 A1	10/2004	Kappes et al.
D590,543 S	4/2009	Ullmann	2005/0034313 A1	2/2005	Hoser et al.
D592,804 S	5/2009	Refior	2005/0229400 A1 *	10/2005	Yamaguchi B26B 19/048 30/43.92
D611,652 S	3/2010	Ullmann	2006/0042103 A1	3/2006	Chasen
D621,347 S	8/2010	Aulwes et al.	2008/0134514 A1	6/2008	Iwasaki et al.
D632,434 S	2/2011	Maguire et al.	2009/0133264 A1	5/2009	Eichhorn et al.
D638,166 S	5/2011	Martinez De San Vicente	2009/0133265 A1 *	5/2009	Burghardt B26B 19/044 30/43.7
D649,394 S	11/2011	Grabes et al.	2010/0180447 A1 *	7/2010	Sato B26B 19/04 30/43.92
D664,298 S	7/2012	Grabes et al.	2011/0179648 A1	7/2011	Sakon et al.
D668,387 S	10/2012	Grabes et al.			
D677,836 S	3/2013	Grabes et al.			

* cited by examiner

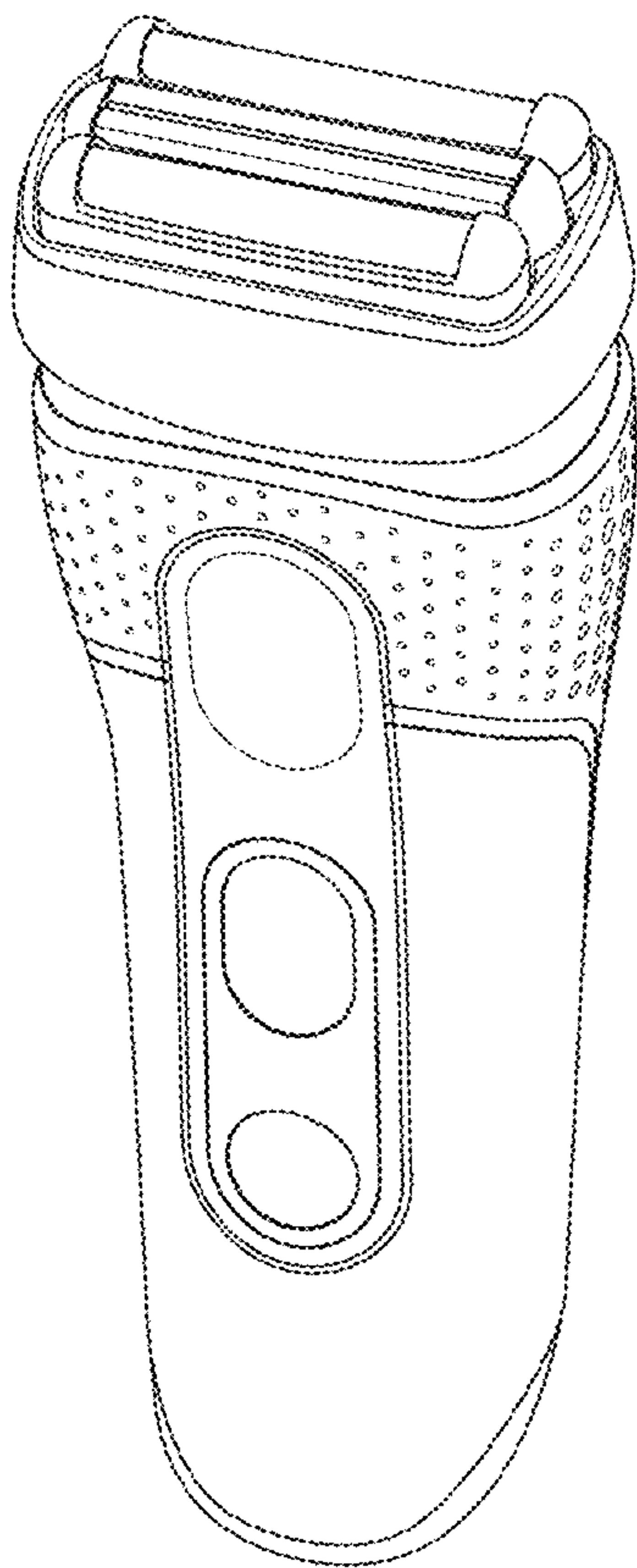


FIG. 1

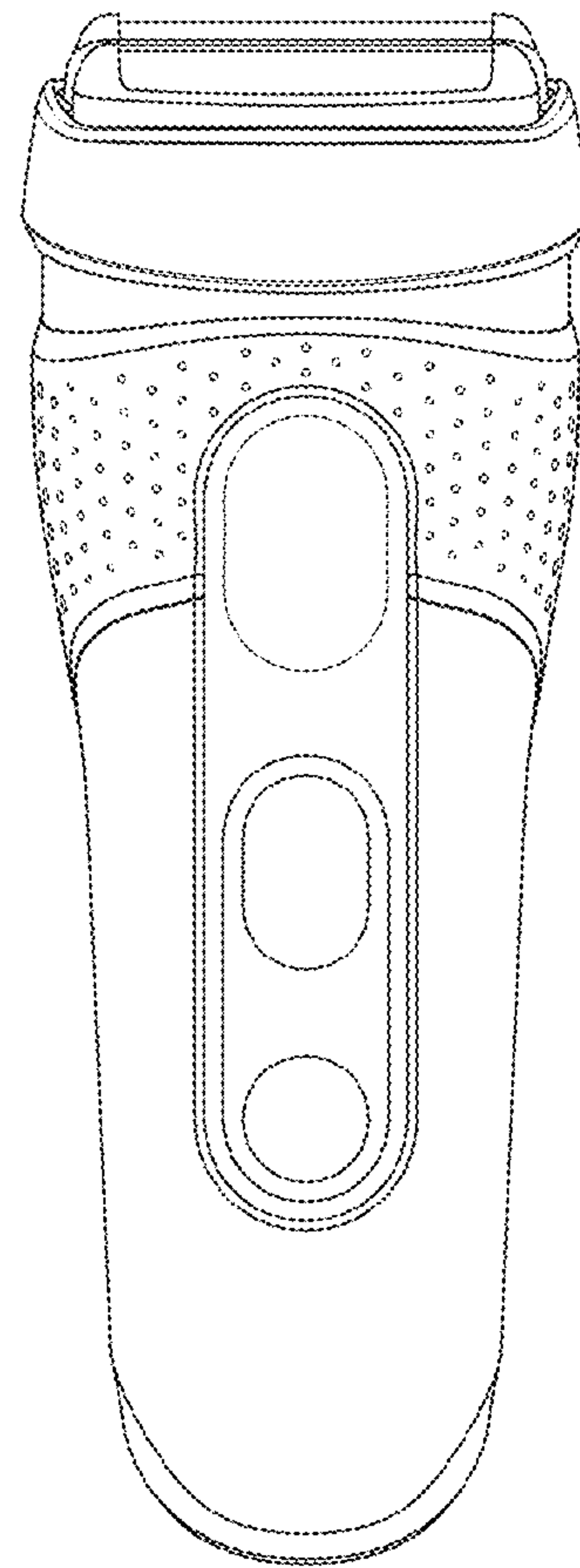


FIG. 2

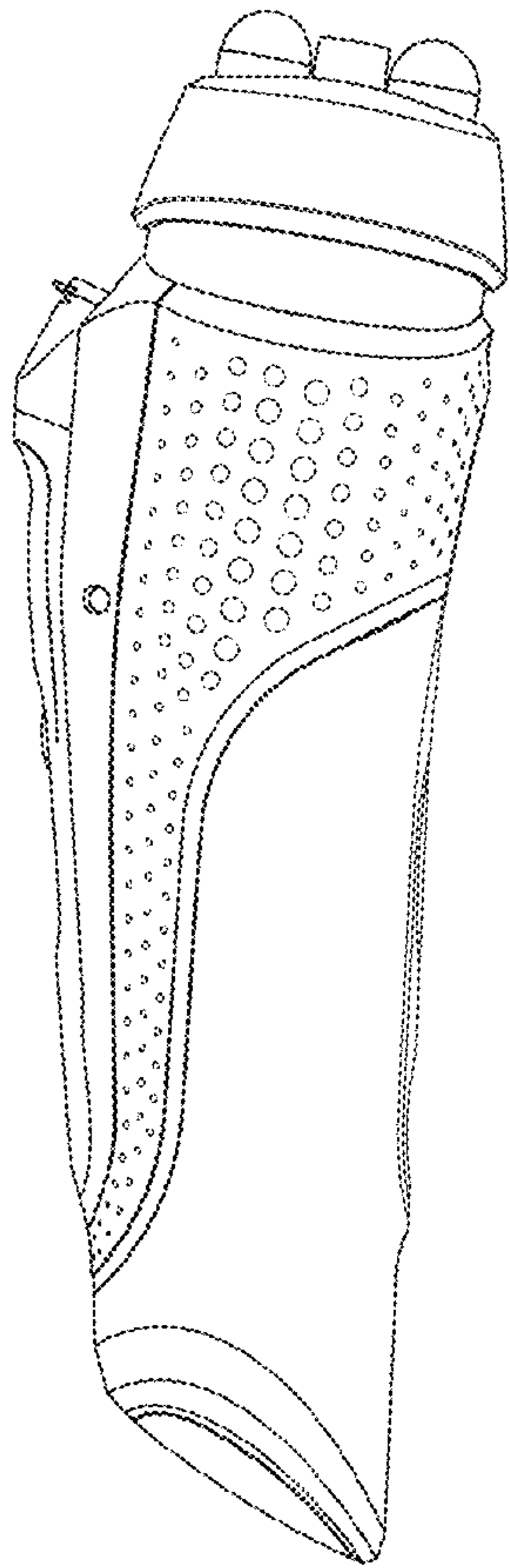


FIG. 3

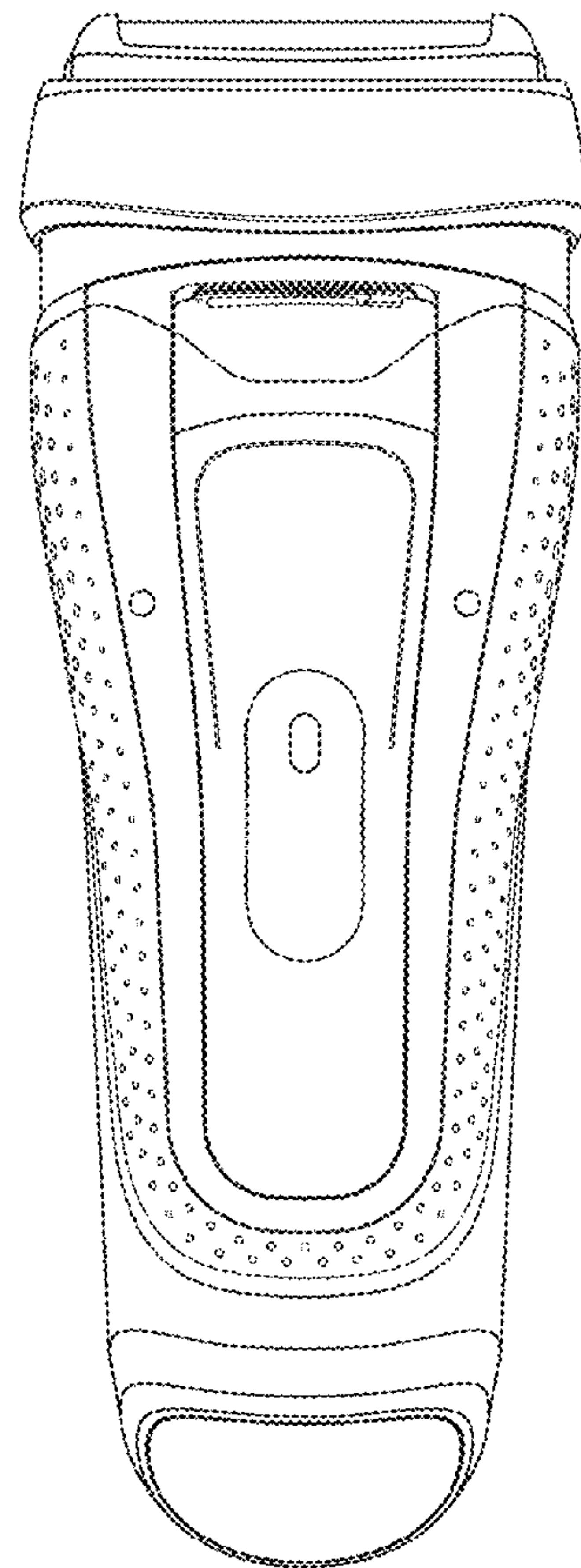


FIG. 4

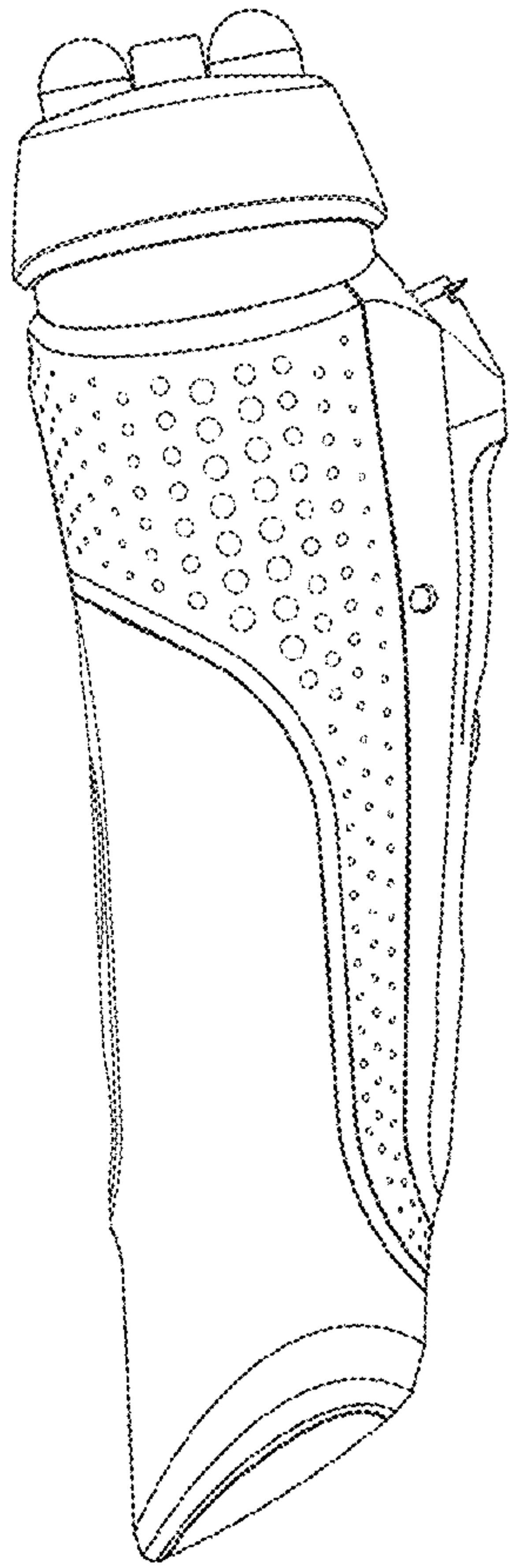


FIG. 5

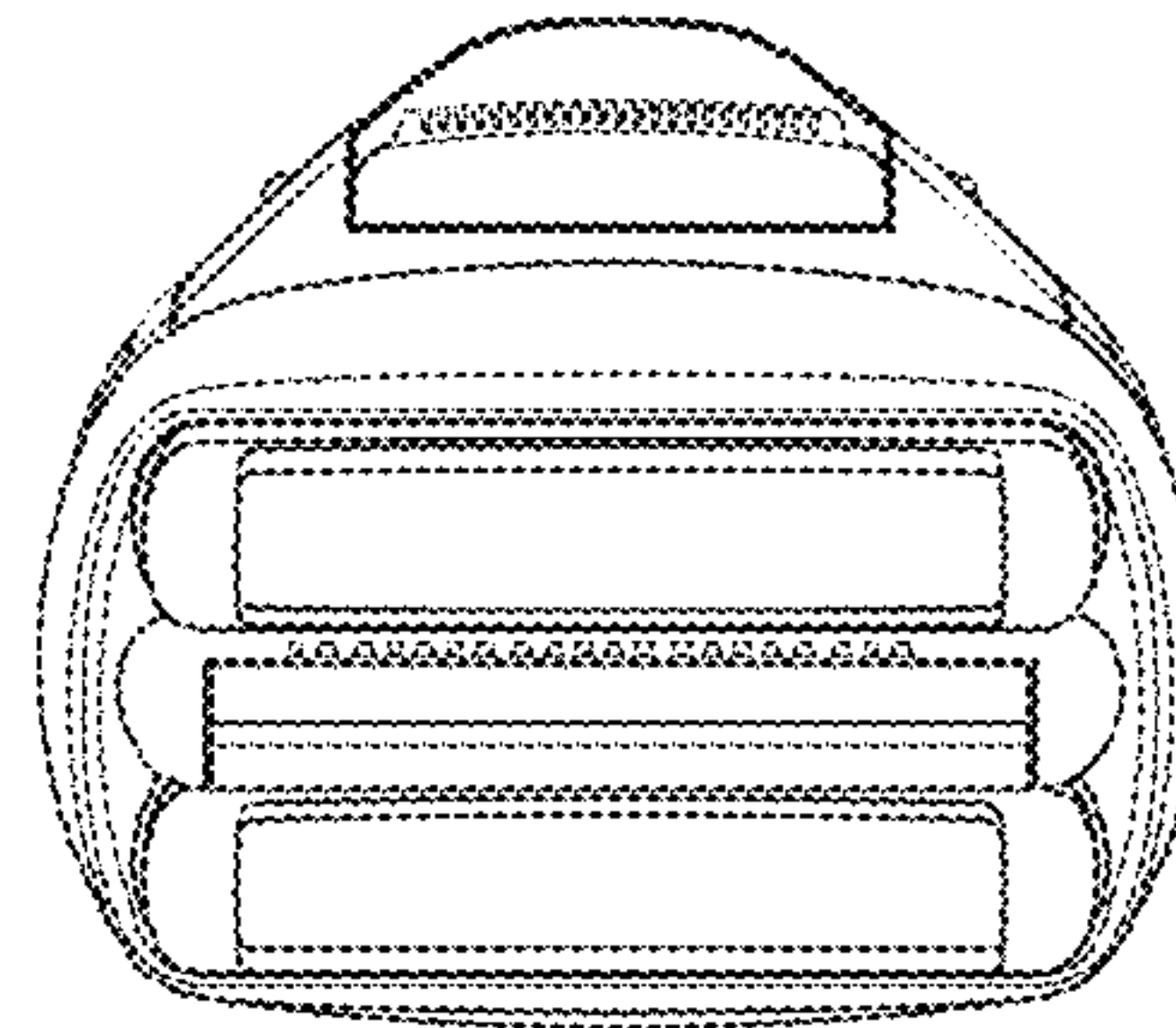


FIG. 6

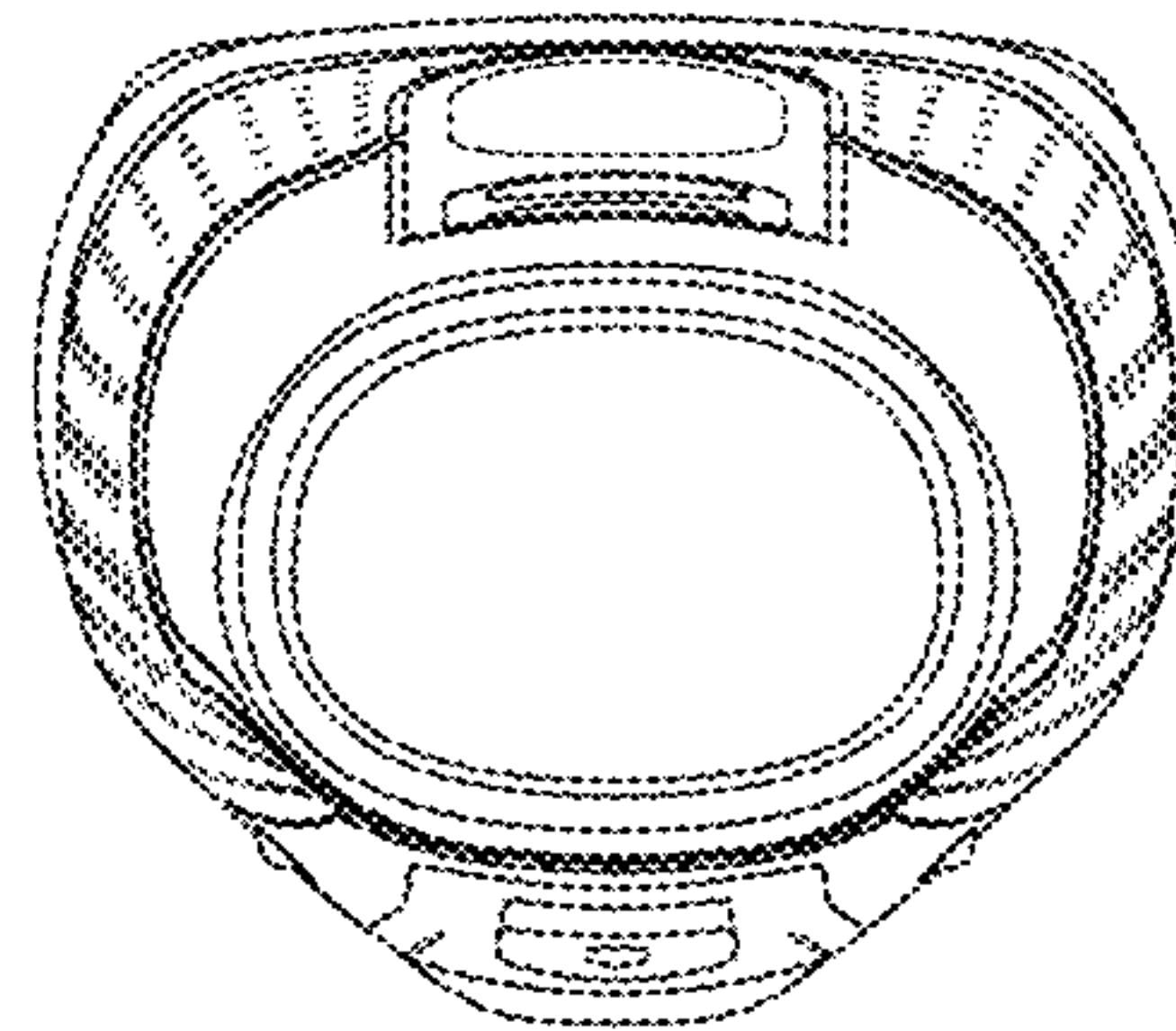


FIG. 7

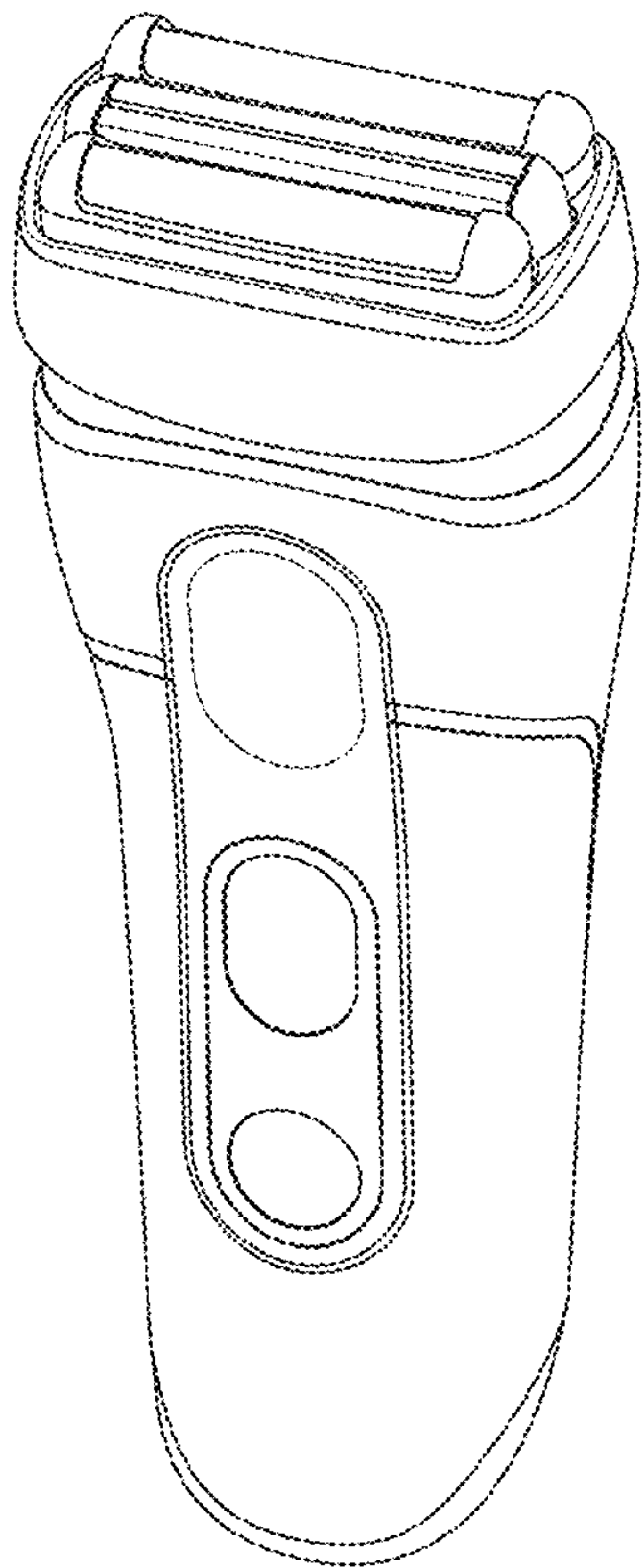


FIG. 8

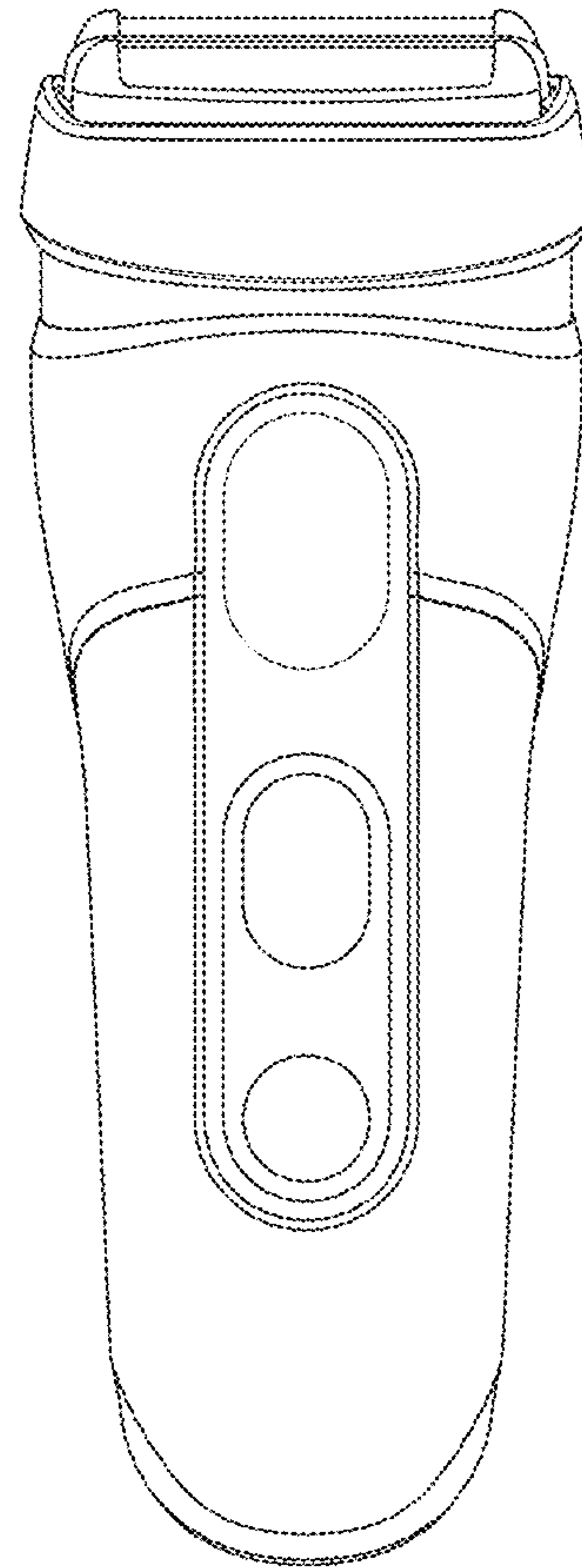


FIG. 9

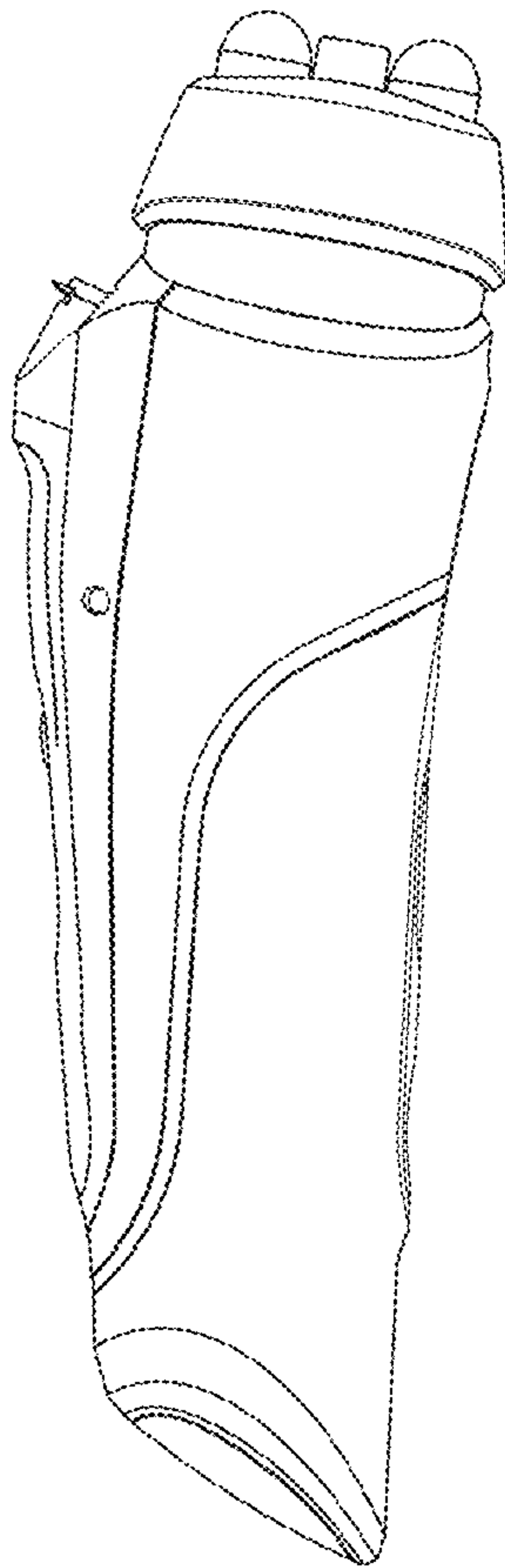


FIG. 10

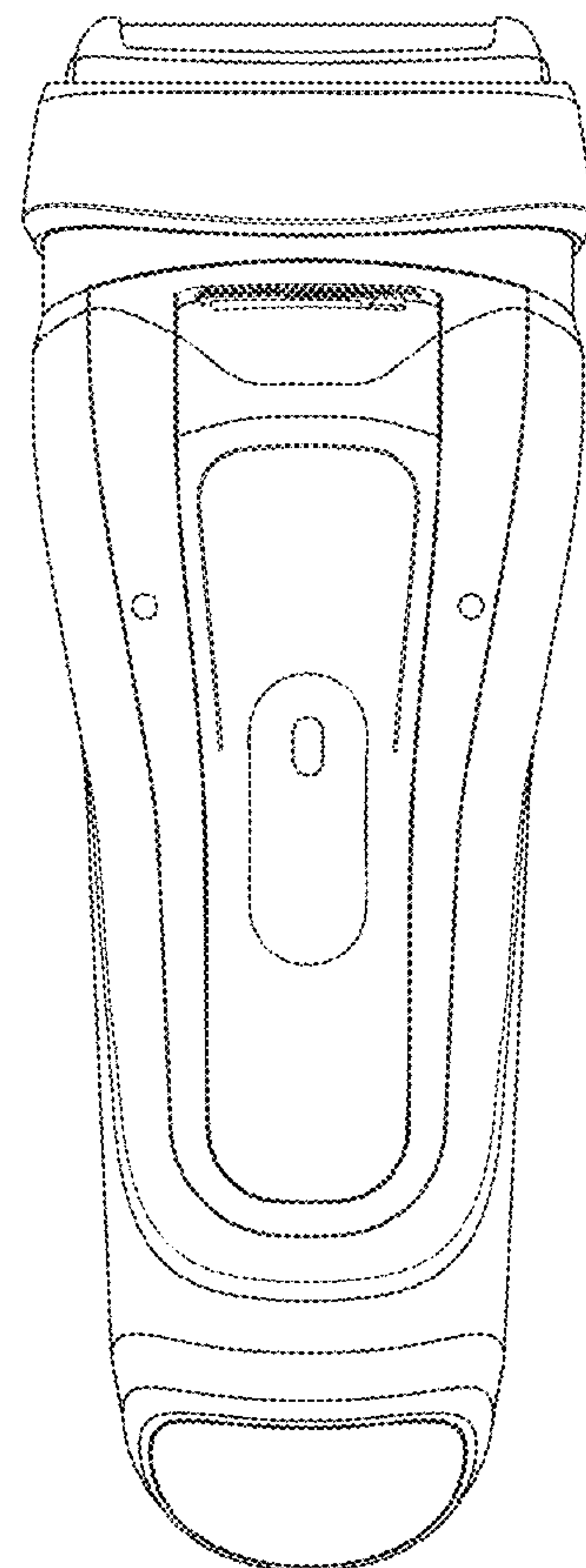


FIG. 11

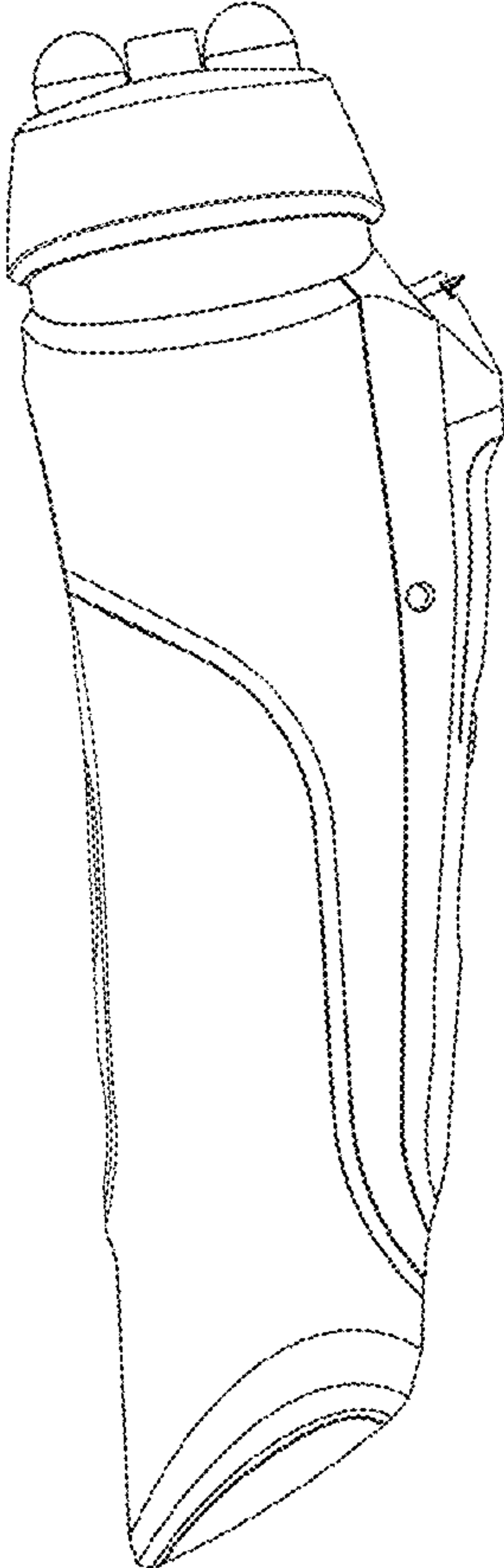


FIG. 12

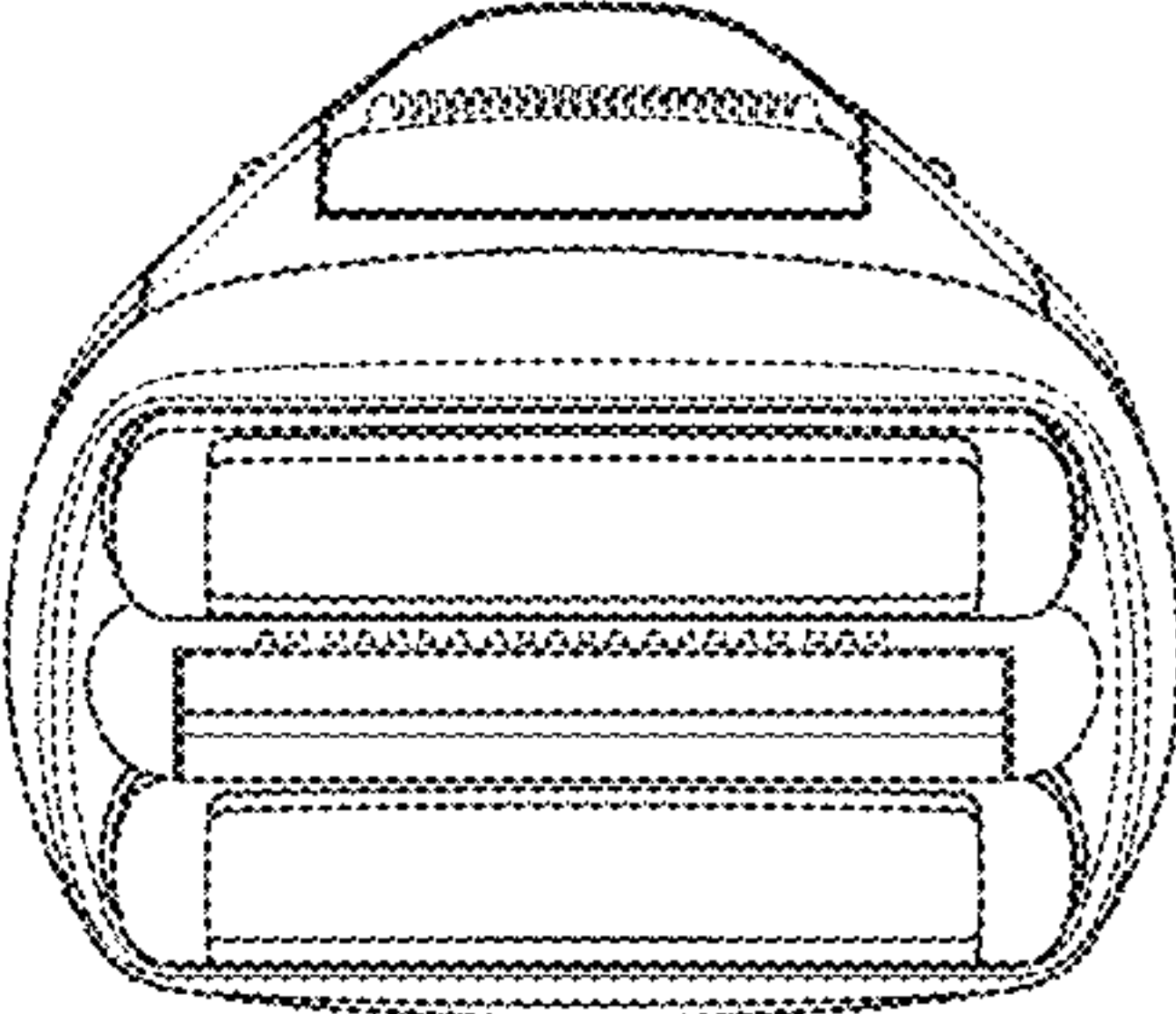


FIG. 13

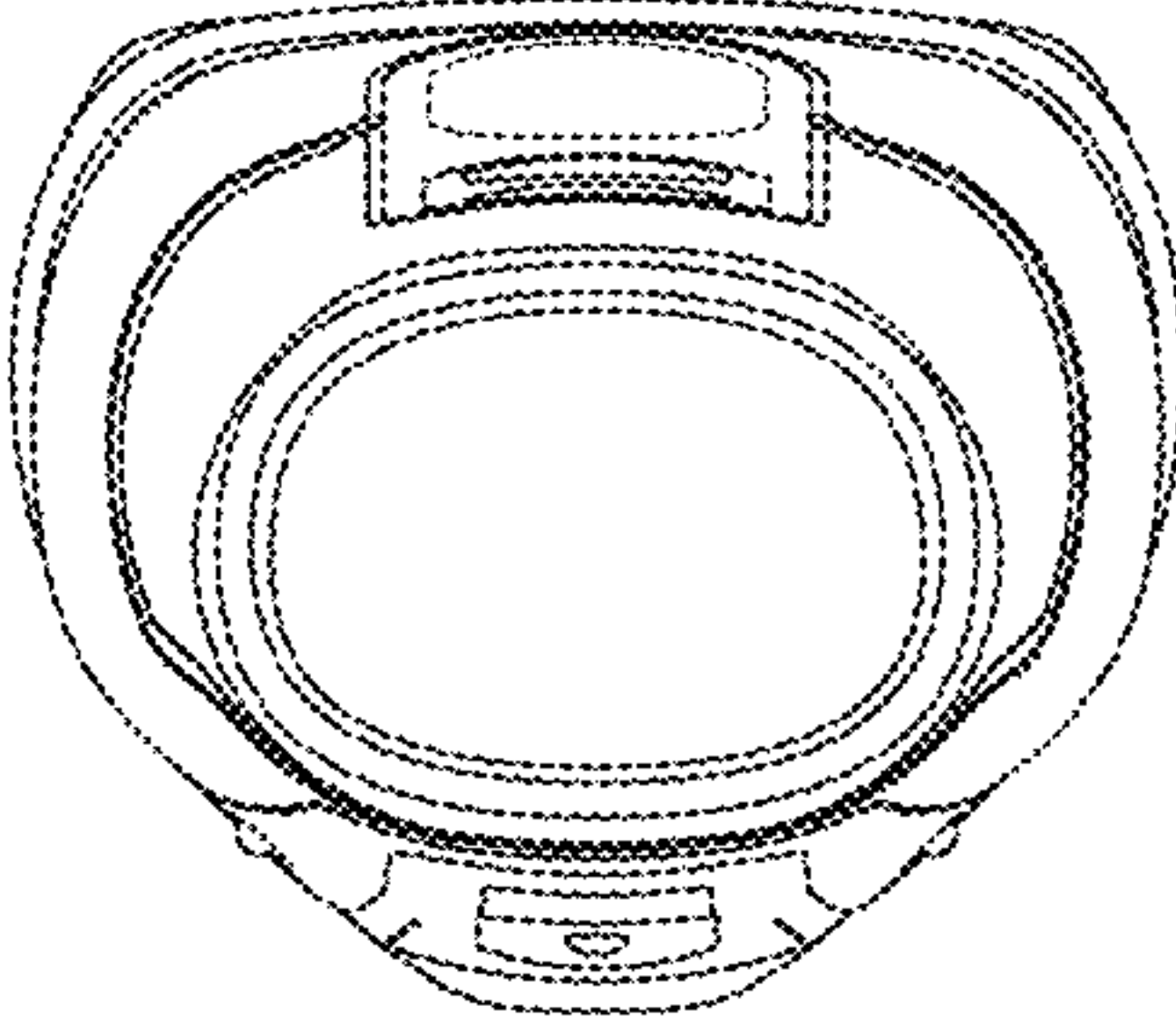


FIG. 14