



US00D751251S

(12) **United States Design Patent**
Fath et al.

(10) **Patent No.:** **US D751,251 S**
(45) **Date of Patent:** **** Mar. 8, 2016**

(54) **ELECTRONIC VAPOR KIT**
(71) Applicant: **Altria Client Services, Inc.**, Richmond, VA (US)
(72) Inventors: **Scott A. Fath**, Richmond, VA (US);
Monika Cascone, Chicago, IL (US)
(73) Assignee: **Altria Client Services LLC**, Richmond, VA (US)
(**) Term: **14 Years**

3,033,357 A * 5/1962 Brown A41H 3/08
206/574
4,163,559 A * 8/1979 Stenstrom A63F 1/06
206/579
5,246,161 A * 9/1993 Kapp B65D 5/4229
206/459.5
D343,353 S * 1/1994 Campbell D9/721
D351,104 S * 10/1994 Kapp D9/423
5,568,877 A * 10/1996 Rench B32B 3/16
156/205
D710,713 S * 8/2014 Fath D9/721
D732,384 S * 6/2015 Fath D9/418
D734,145 S * 7/2015 Fath D9/418
D735,572 S * 8/2015 Fath D9/418
D738,716 S * 9/2015 Nettenstrom D9/418

(21) Appl. No.: **29/500,939**
(22) Filed: **Aug. 29, 2014**
(51) **LOC (10) Cl.** **27-06**
(52) **U.S. Cl.**
USPC **D27/189**
(58) **Field of Classification Search**
USPC D3/229, 273; D9/414, 418, 420, 430,
D9/432; D27/172, 183–193; D13/107,
D13/108, 109
CPC A24F 15/00; A24F 15/005; A24F 15/02;
A24F 15/12; A24F 15/14; A24F 15/18;
A24F 15/20; A24F 23/00; A24F 23/02;
A24F 23/04; B65D 85/1045; B65D 85/1063;
B65D 85/1072; B65D 5/0254
See application file for complete search history.

* cited by examiner

Primary Examiner — Elizabeth Albert
(74) *Attorney, Agent, or Firm* — Harness, Dickey & Pierce

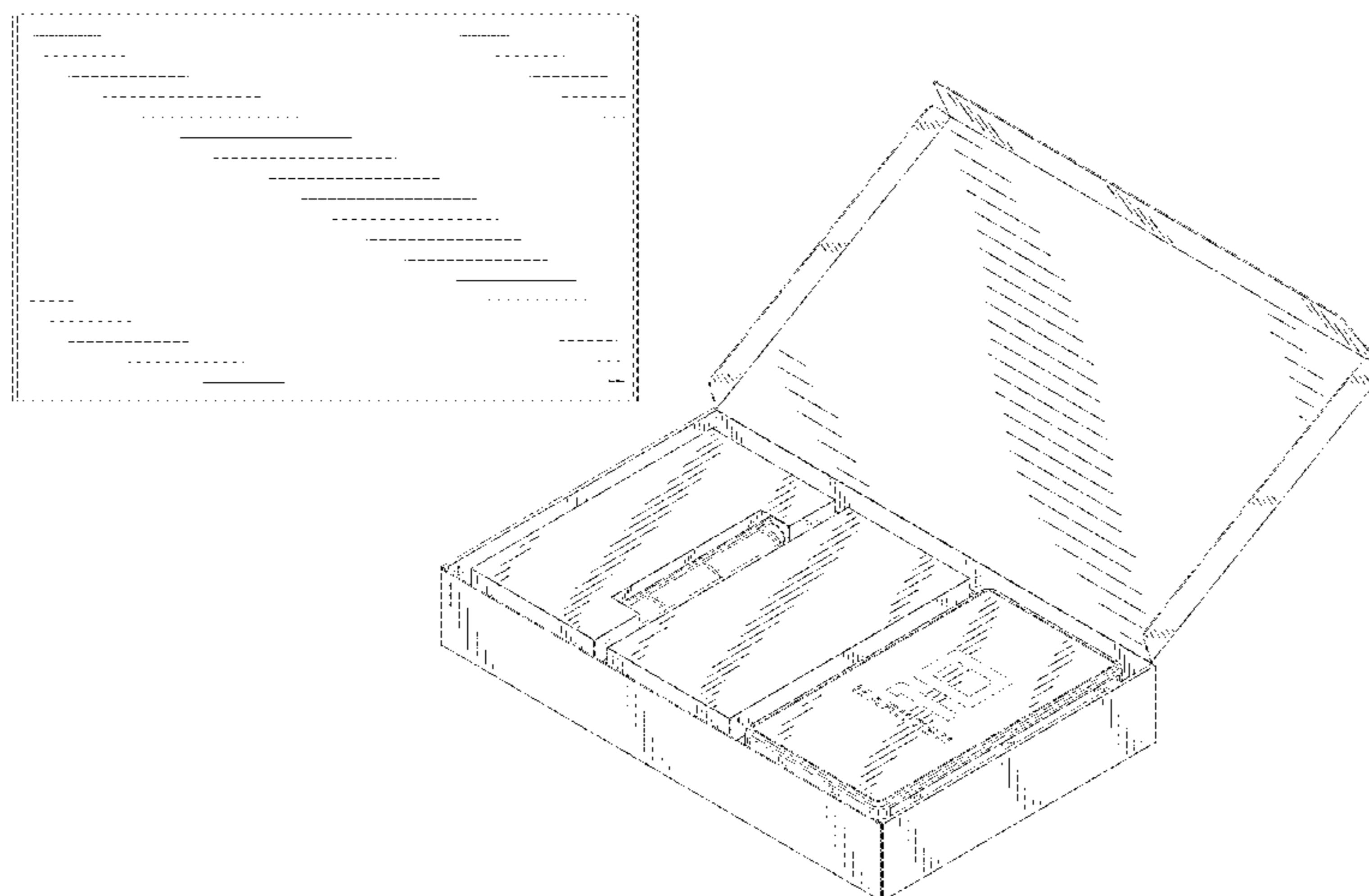
(57) **CLAIM**
The ornamental design for an electronic vapor kit, as shown and described.

DESCRIPTION

FIG. 1 is a front, right perspective view of an electronic vapor kit showing our new design.
FIG. 2 is a top plan view thereof.
FIG. 3 is a bottom plan view thereof.
FIG. 4 is a front elevational view thereof.
FIG. 5 is a rear elevational view thereof.
FIG. 6 is a right side elevational view thereof.
FIG. 7 is a left side elevational view thereof.
FIG. 8 is a front, right perspective view thereof in an open configuration.
FIG. 9 is a top plan view thereof.
FIG. 10 is a bottom plan view thereof.
FIG. 11 is a front elevational view thereof.
FIG. 12 is a rear elevational view thereof.
FIG. 13 is a right side elevational view thereof; and,
FIG. 14 is a left side elevational view thereof.
The broken line showing is for environmental purposes only and forms no part of the claimed design.

(56) **References Cited**
U.S. PATENT DOCUMENTS
407,494 A * 7/1889 Schwartz B65D 5/0254
229/152
833,897 A * 10/1906 Reynolds A24F 15/18
131/234
1,676,118 A * 7/1928 Sukert A24F 25/02
217/61
2,284,171 A * 5/1942 Silberman B65D 77/02
206/274
2,860,023 A * 11/1958 Herdlitchka A24F 25/02
217/61

1 Claim, 11 Drawing Sheets



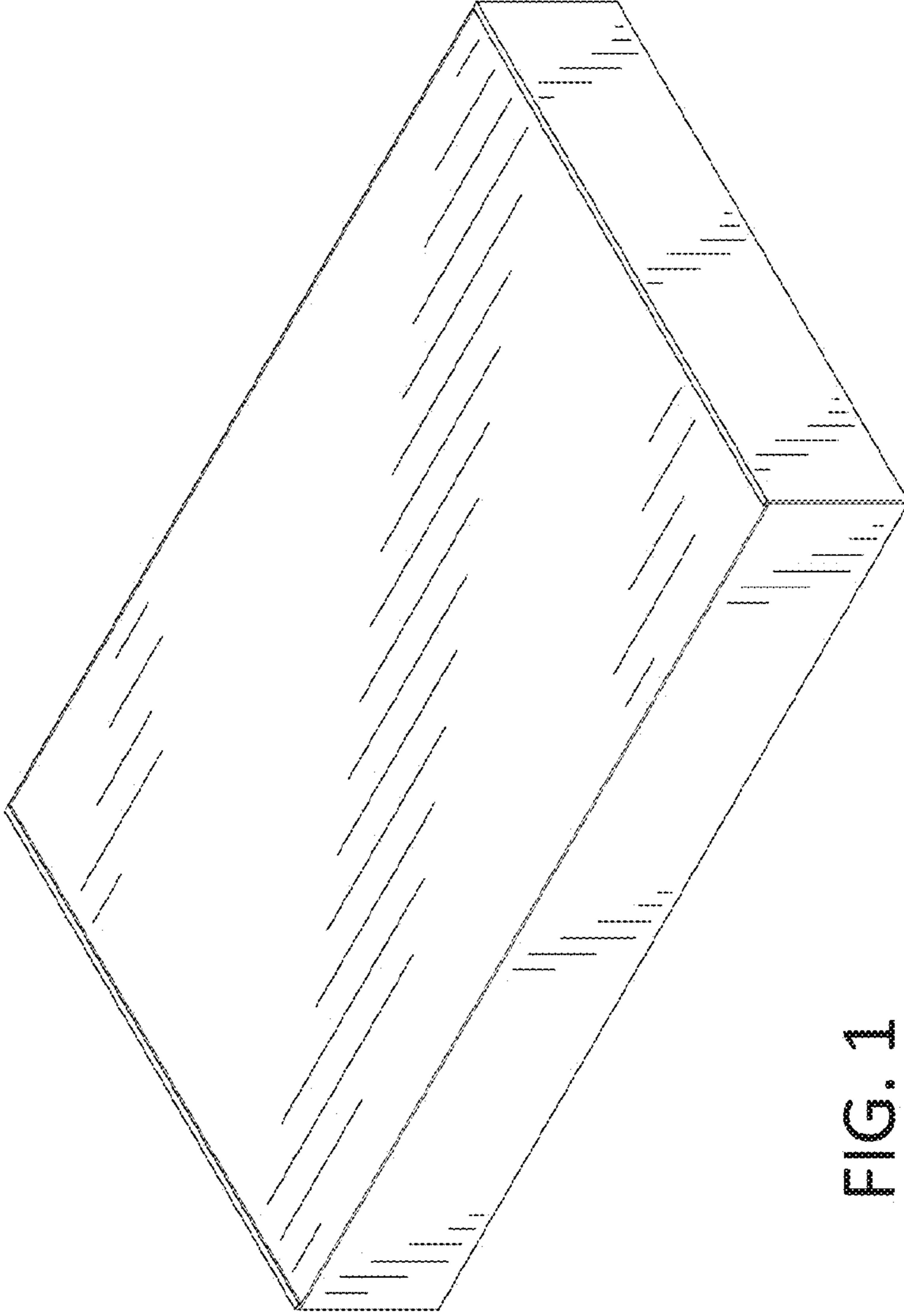


FIG. 1

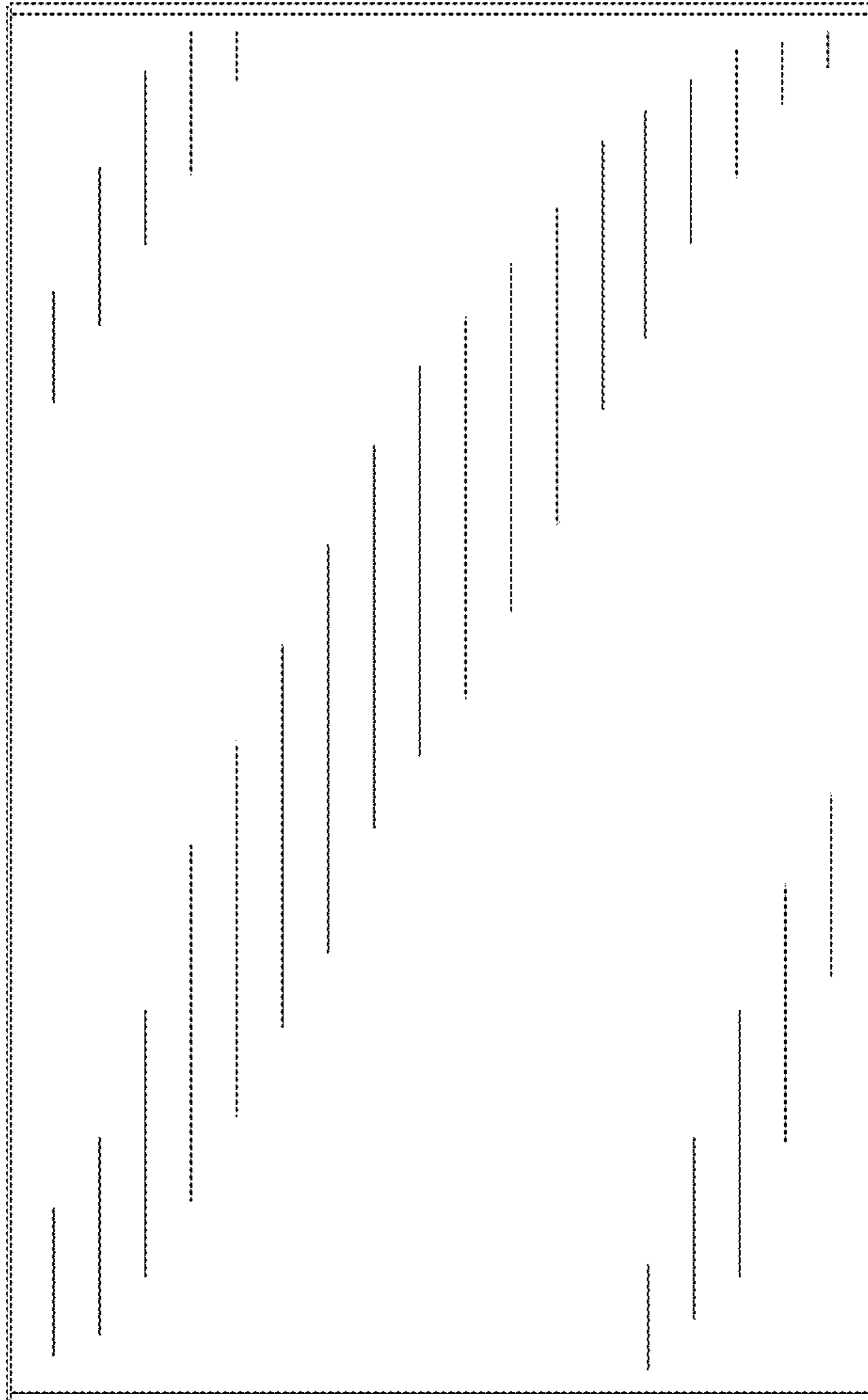


FIG. 2

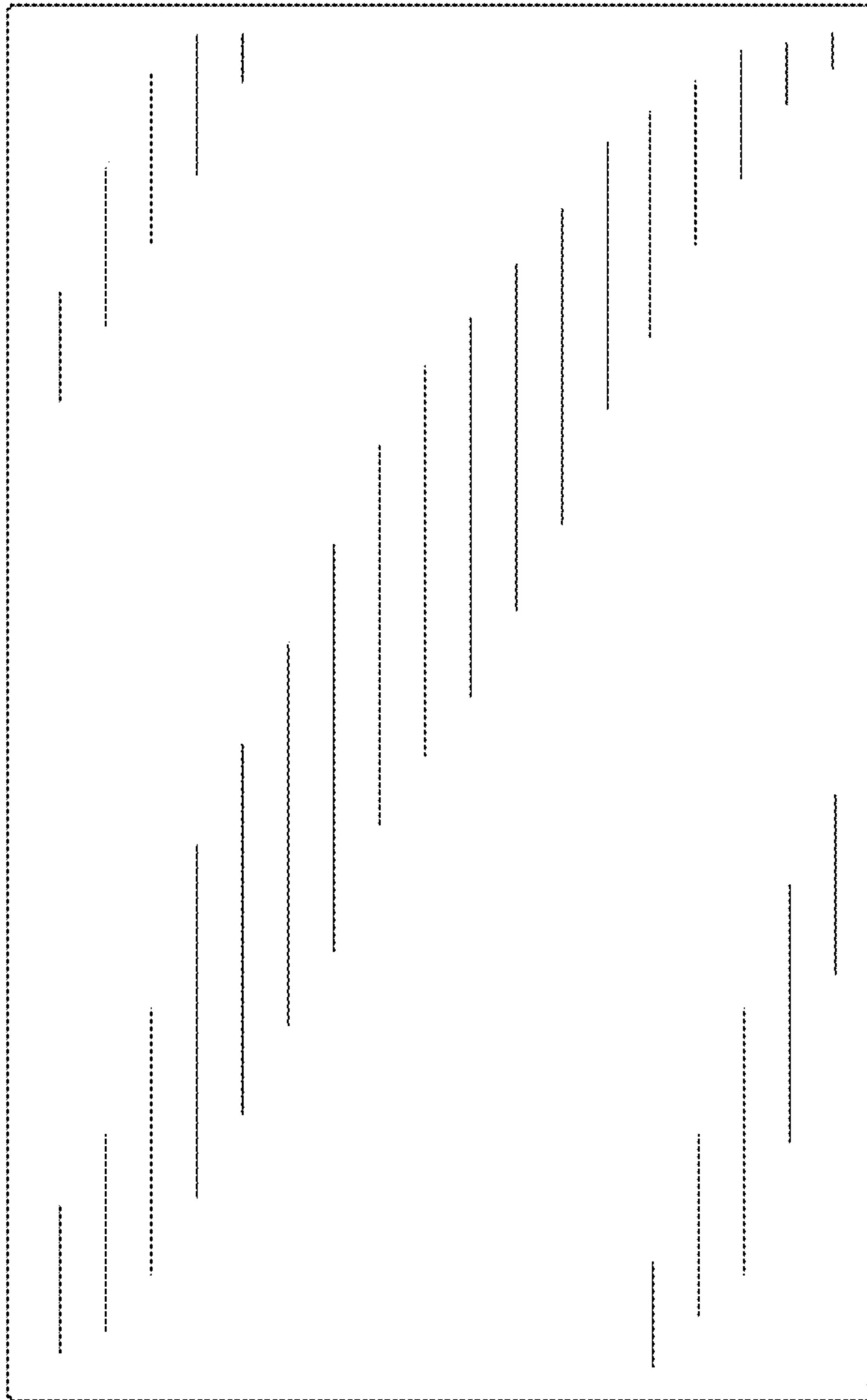


FIG. 3

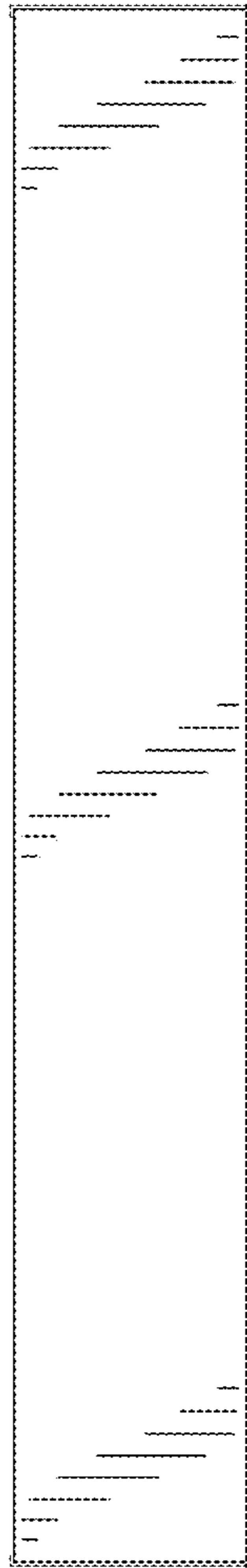


FIG. 4

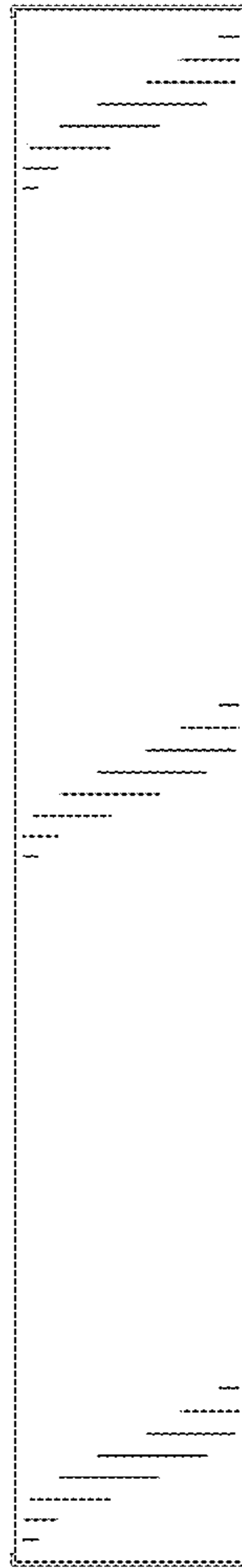


FIG. 5



FIG. 6



FIG. 7

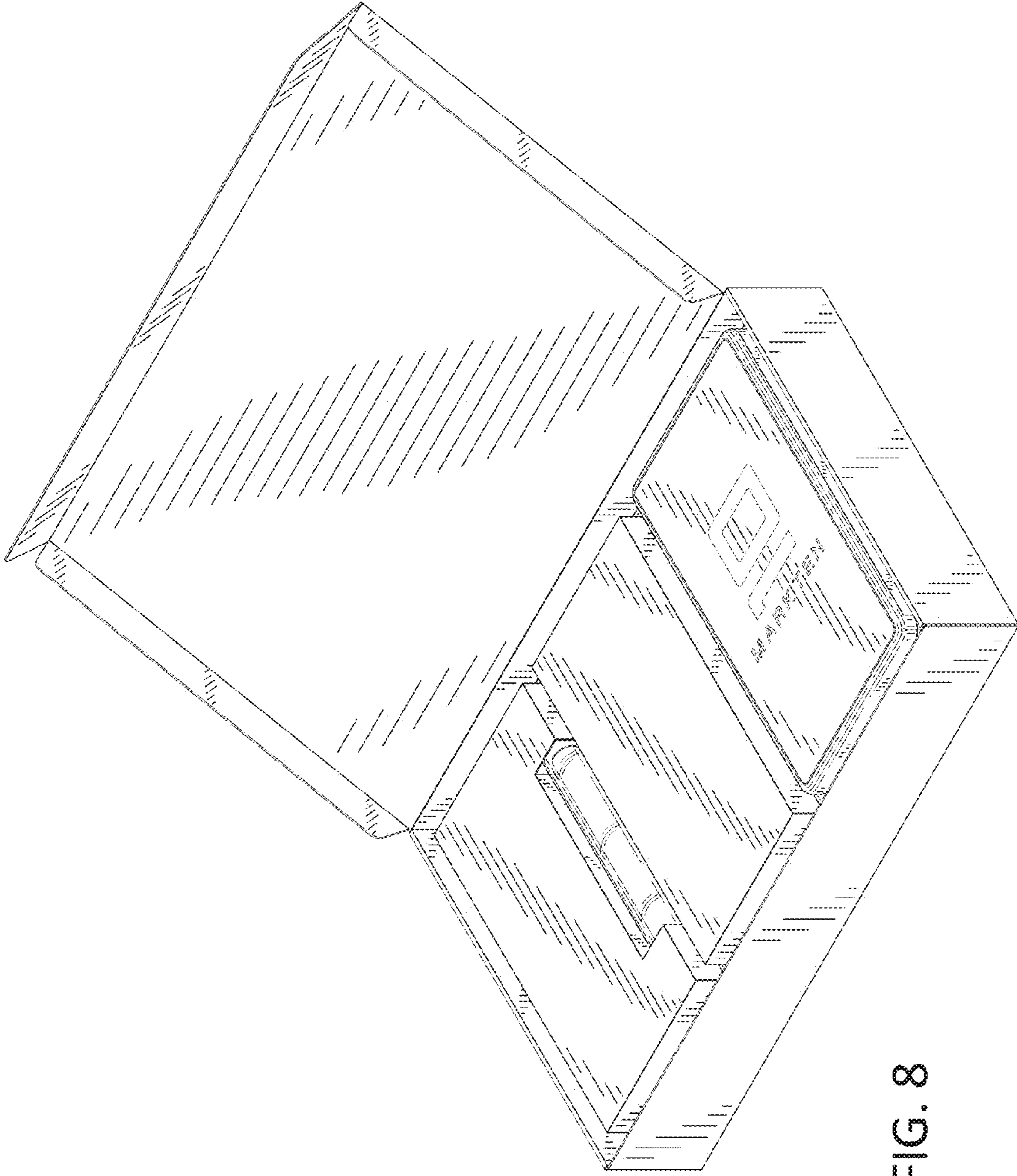


FIG. 8

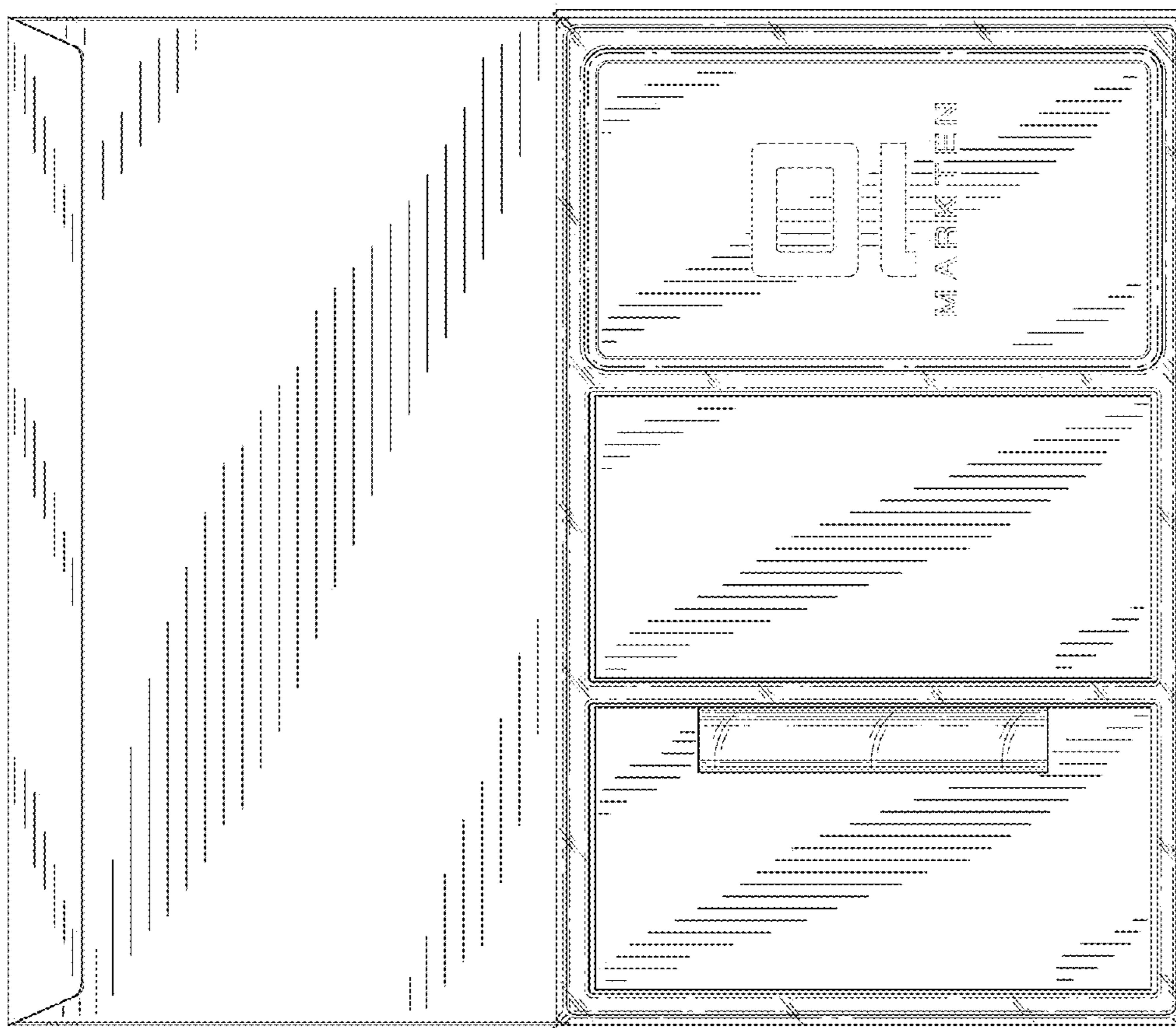


FIG. 9

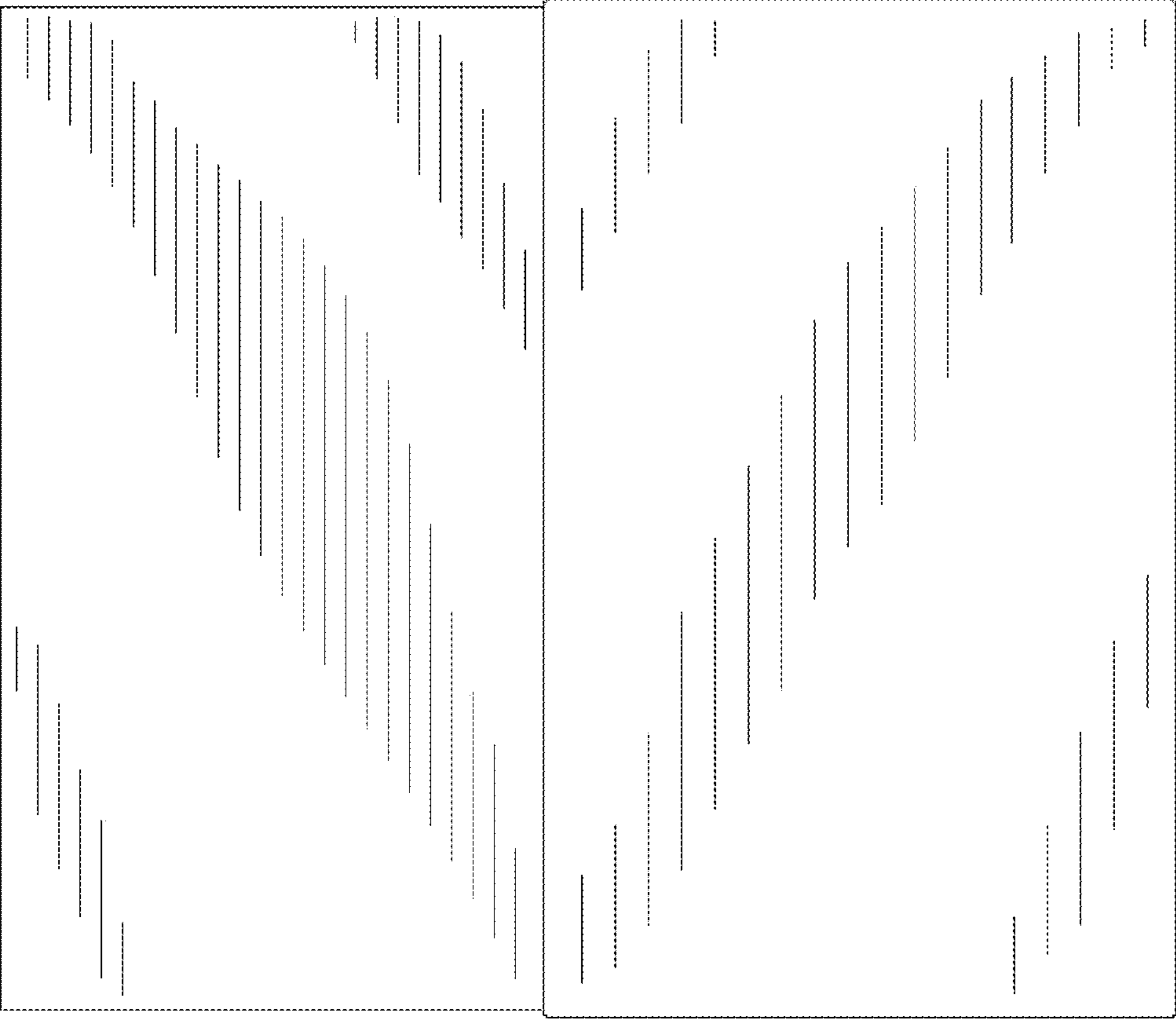


FIG. 10

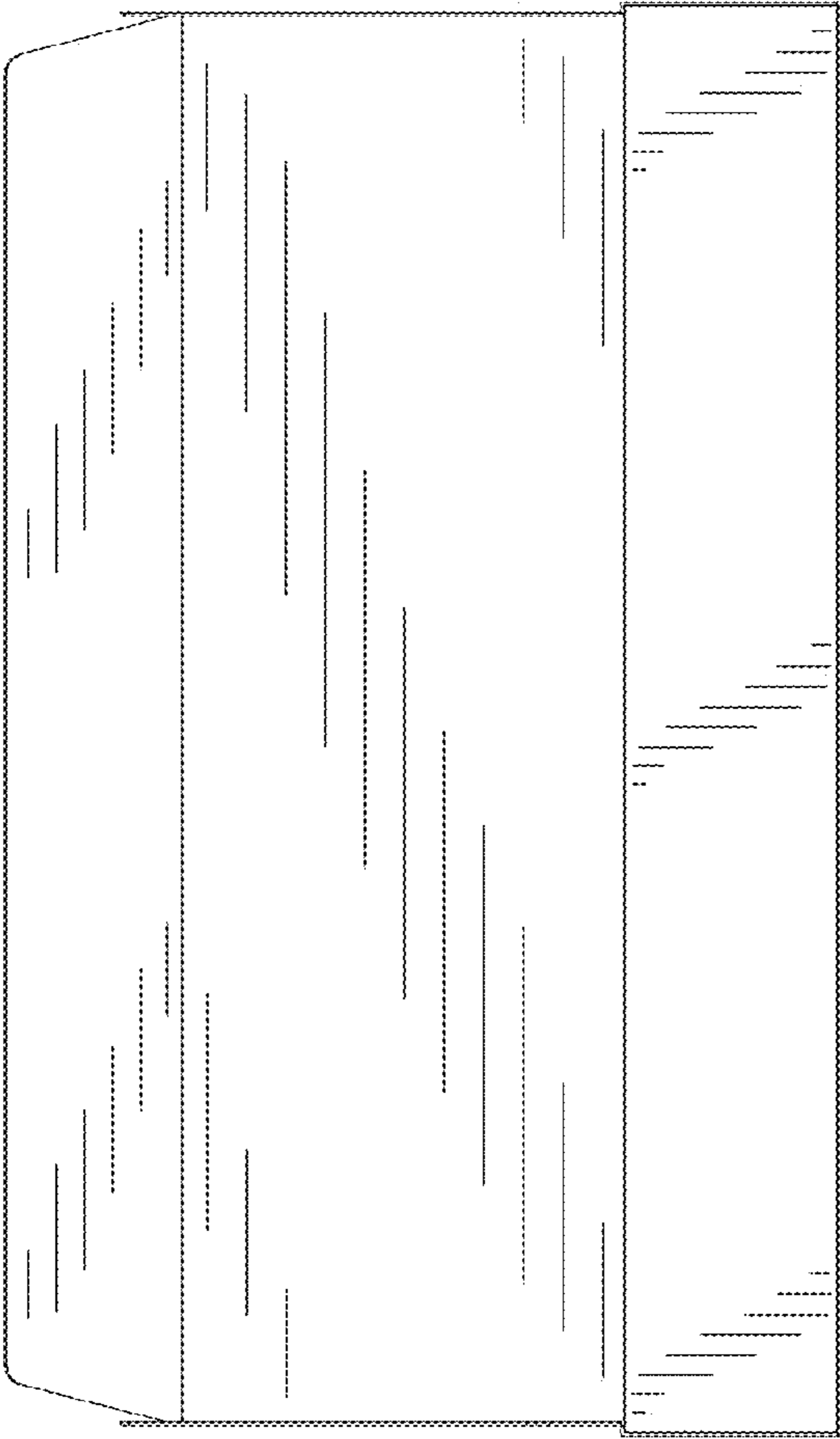


FIG. 11

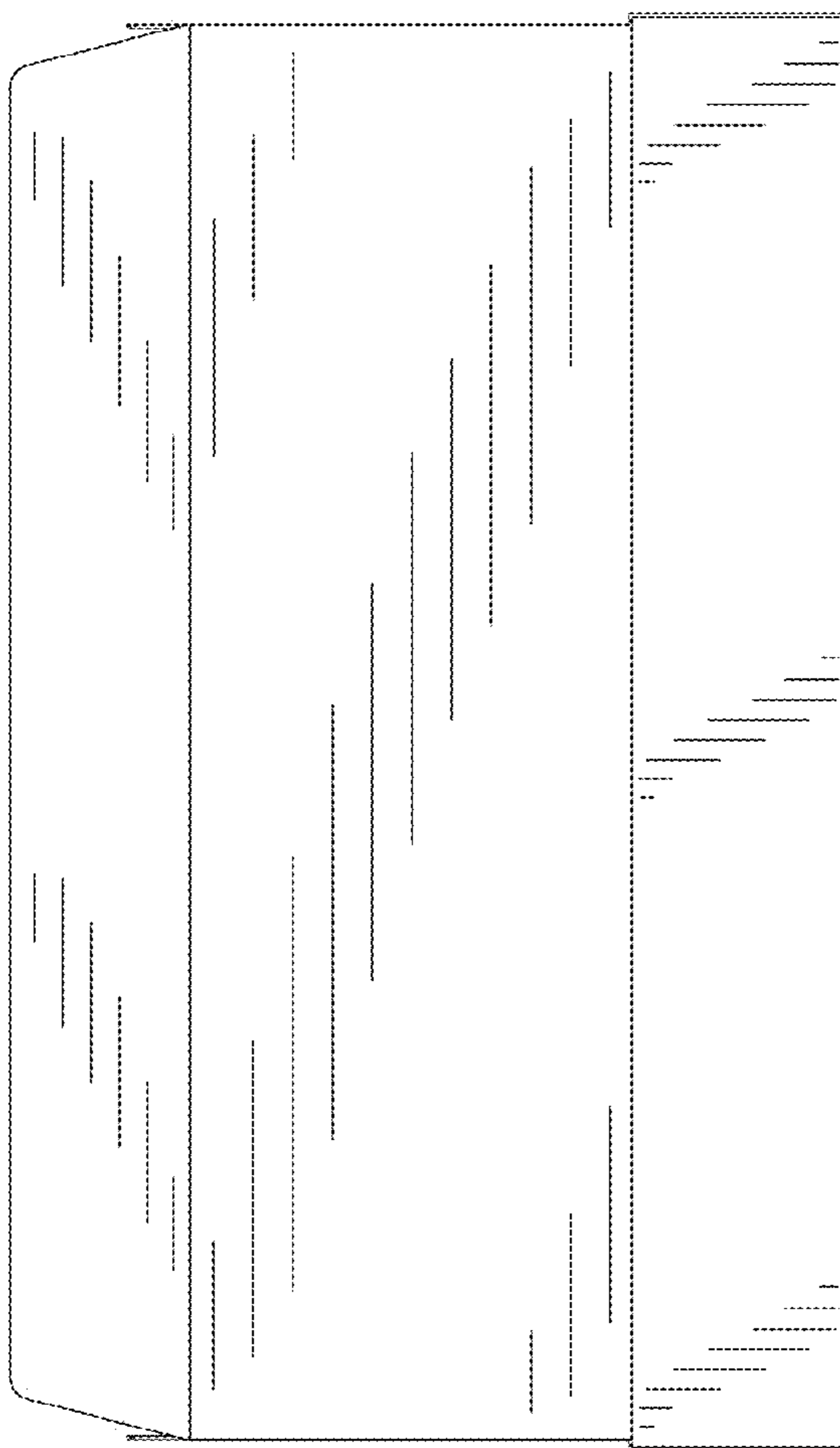


FIG. 12

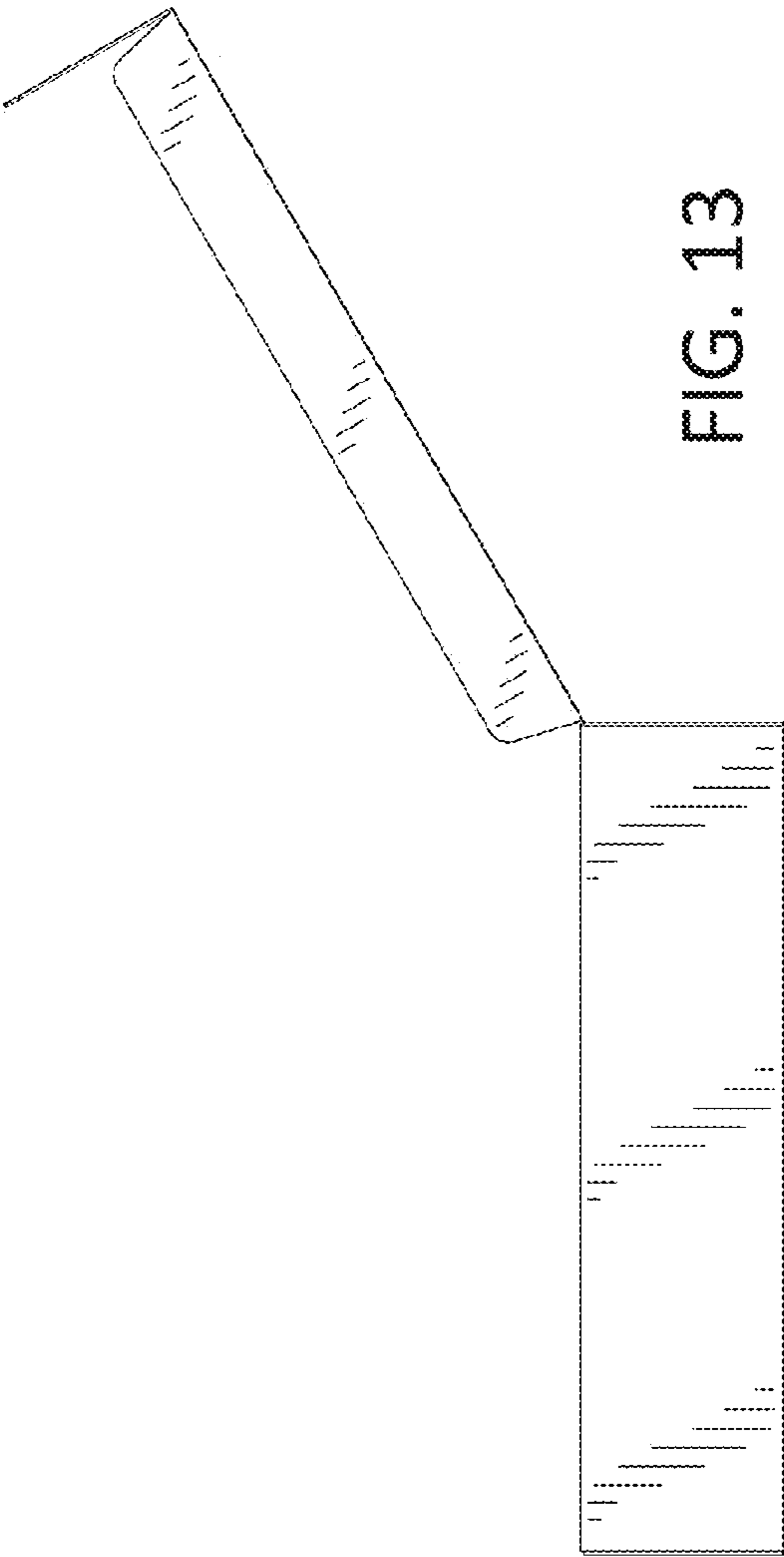


FIG. 13

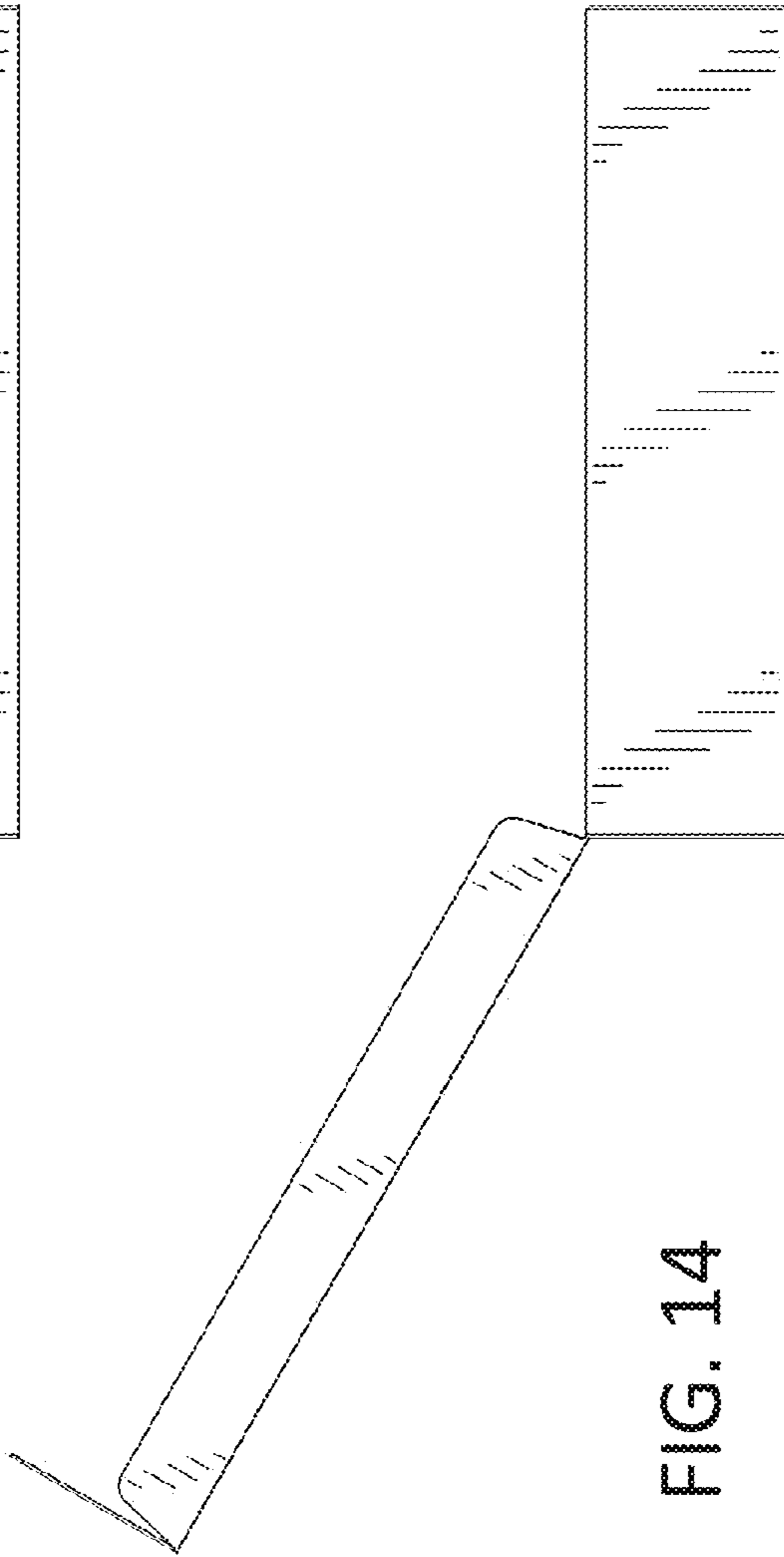


FIG. 14