



US00D751249S

(12) **United States Design Patent**  
**Chen**

(10) **Patent No.:** **US D751,249 S**  
(45) **Date of Patent:** **\*\* Mar. 8, 2016**

(54) **ELECTRONIC SMOKE DEVICE**  
(71) Applicant: **SMISS TECHNOLOGY CO., LTD,**  
Baoan District, Shenzhen (CN)  
(72) Inventor: **Jiatai Chen,** Shenzhen (CN)  
(73) Assignee: **SMISS TECHNOLOGY CO., LTD,**  
Bacan District, Shenzhen (CN)  
(\*\*) Term: **14 Years**  
(21) Appl. No.: **29/486,595**  
(22) Filed: **Apr. 1, 2014**  
(51) **LOC (10) Cl.** ..... **27-01**  
(52) **U.S. Cl.**  
USPC ..... **D27/101**  
(58) **Field of Classification Search**  
USPC ..... D27/183, 193, 101, 163, 169, 123, 129,  
D27/172, 186, 105, 108, 190, 195, 189, 184,  
D27/187, 164, 175; D25/126; D24/110;  
D9/529  
CPC ..... A24F 1/02; A24F 1/04; A24F 1/08;  
A24F 1/16; A24F 1/28; A24F 1/30; A24F  
3/00; A24F 7/00  
See application file for complete search history.

D720,496 S \* 12/2014 Alima ..... D27/101  
D720,881 S \* 1/2015 Liu ..... D27/101  
D723,215 S \* 2/2015 Chen ..... D27/101  
D723,216 S \* 2/2015 Chen ..... D27/101  
D724,780 S \* 3/2015 Wu ..... D27/101  
D724,782 S \* 3/2015 Wu ..... D27/101  
D727,566 S \* 4/2015 Xiao ..... D27/101  
D728,155 S \* 4/2015 Liu ..... D27/101  
D728,156 S \* 4/2015 Wu ..... D27/101  
D730,571 S \* 5/2015 Chen ..... D27/101  
D732,239 S \* 6/2015 Chen ..... D27/101  
D739,979 S \* 9/2015 Smith ..... D27/163

**OTHER PUBLICATIONS**

Electronic Cigarette | Orbit Portable Pen | Atmos, posted at atmosrx.com, posting date not given, © 2015 atmosrx.com, [online], [site visited Oct. 8, 2015]. Available from Internet, <http://www.atmosrx.com/orbit-dry-herb-vape-pen>.\*

\* cited by examiner

*Primary Examiner* — Manpreet Matharu  
*Assistant Examiner* — Jennifer Wright

(57) **CLAIM**

The ornamental design for an electronic smoke device, as shown.

**DESCRIPTION**

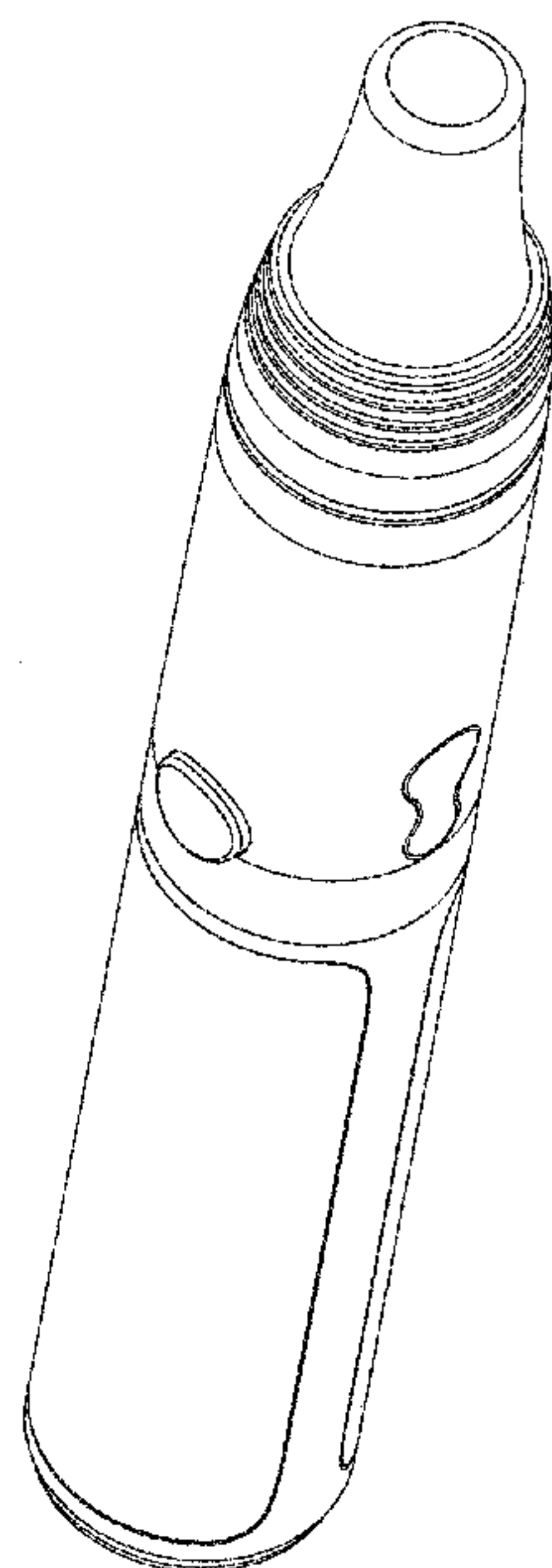
FIG. 1 is the perspective view of the electronic smoke device showing my new design;  
FIG. 2 is the left side view thereof;  
FIG. 3 is the right side view thereof;  
FIG. 4 is the top plan view thereof;  
FIG. 5 is the bottom plan view thereof;  
FIG. 6 is the front elevational view thereof; and,  
FIG. 7 is the rear elevational view thereof.

**1 Claim, 7 Drawing Sheets**

(56) **References Cited**

**U.S. PATENT DOCUMENTS**

D644,375 S \* 8/2011 Zhou ..... D27/101  
7,997,280 B2 \* 8/2011 Rosenthal ..... 131/191  
D653,803 S \* 2/2012 Timmermans ..... D27/163  
D687,181 S \* 7/2013 Goch ..... D27/101  
D688,416 S \* 8/2013 Liu ..... D27/101  
D693,053 S \* 11/2013 Chen ..... D27/101  
D694,468 S \* 11/2013 Chen ..... D27/101  
D720,095 S \* 12/2014 Alima ..... D27/163



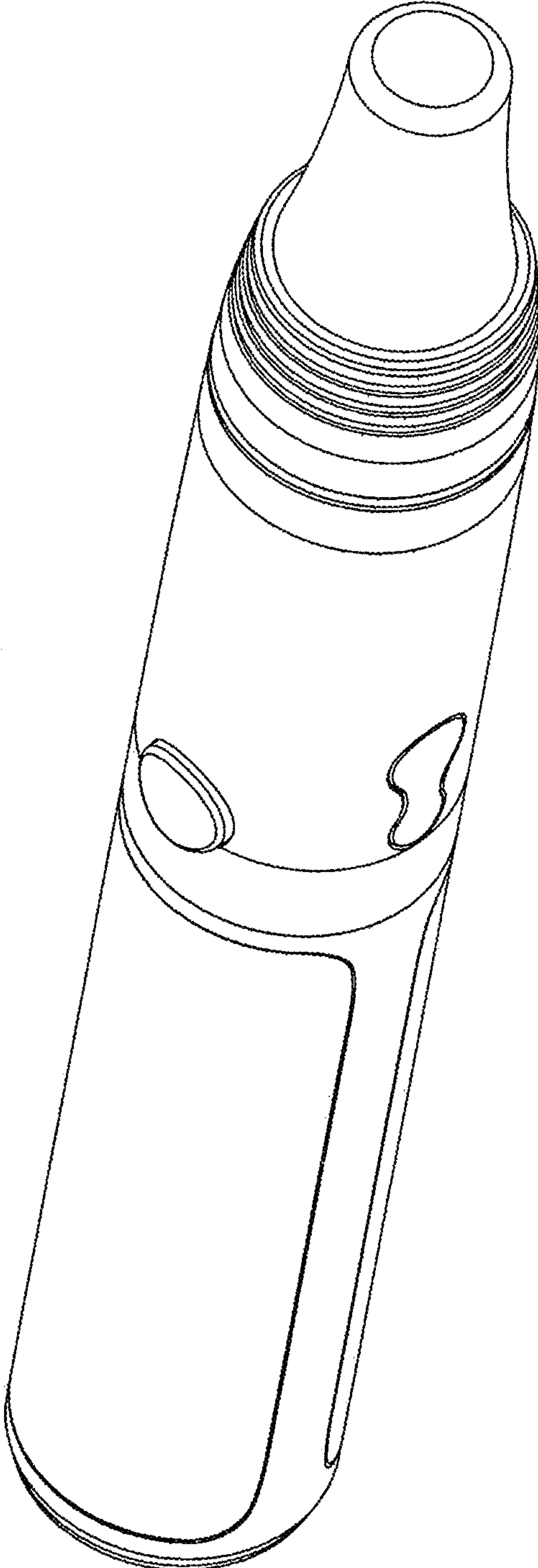


Fig. 1

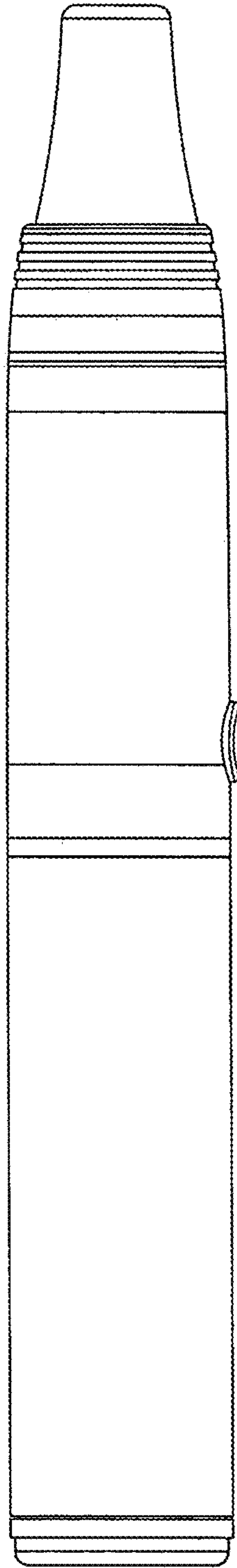


Fig. 2

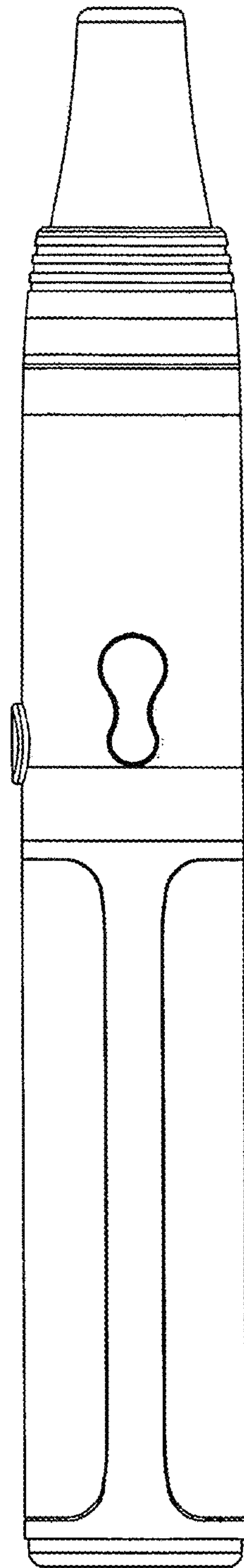


Fig. 3

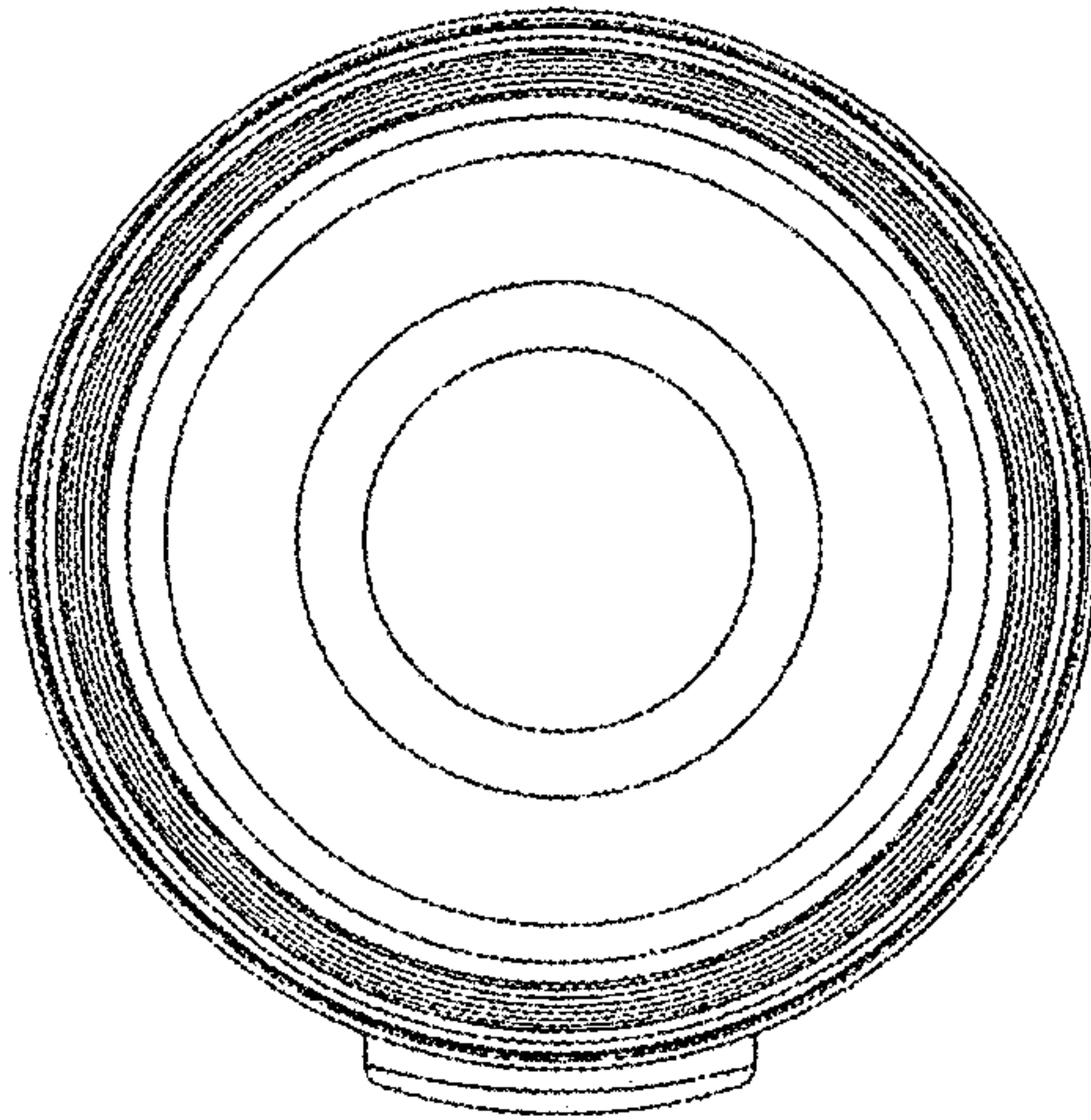


Fig. 4

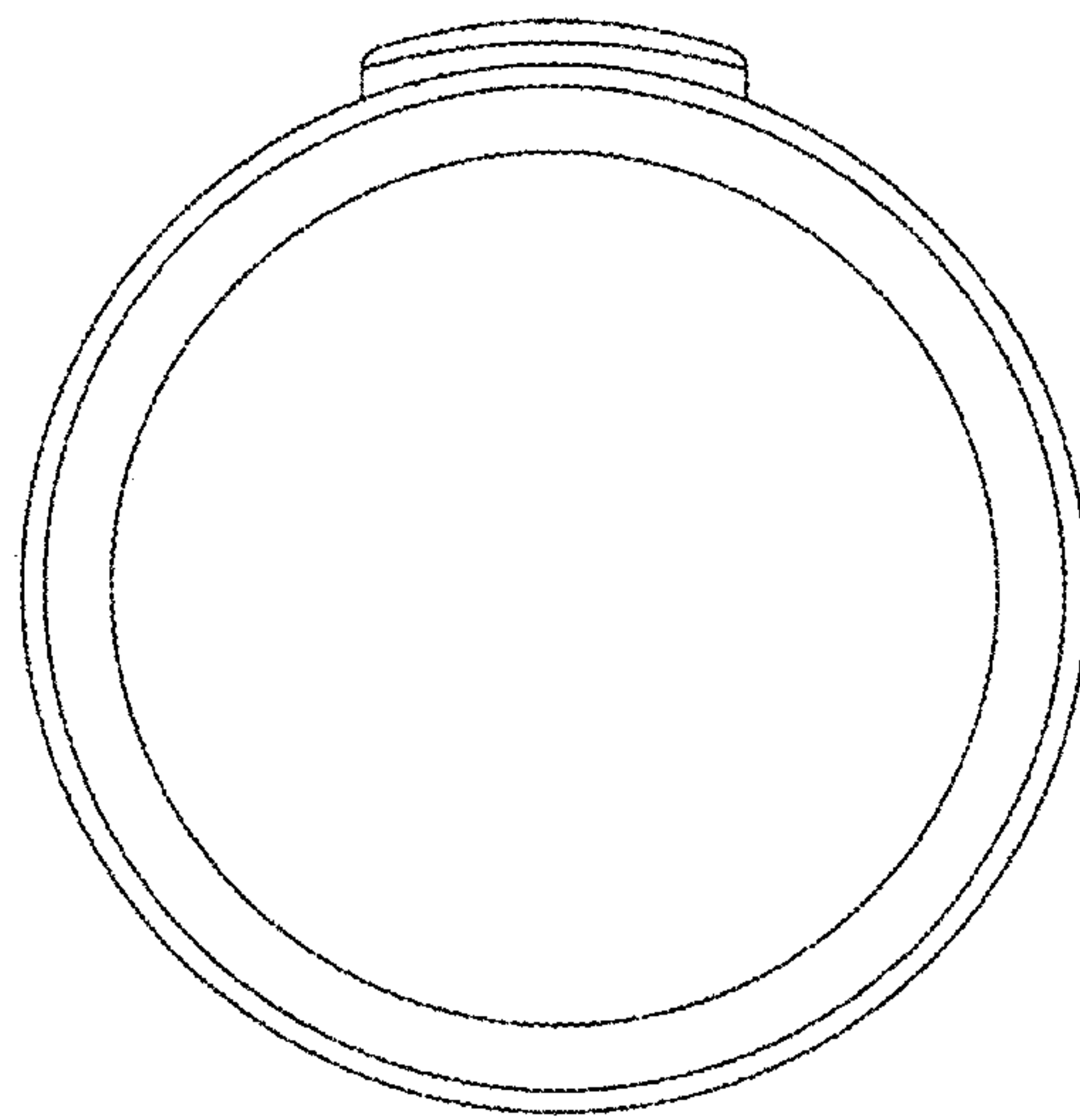


Fig. 5

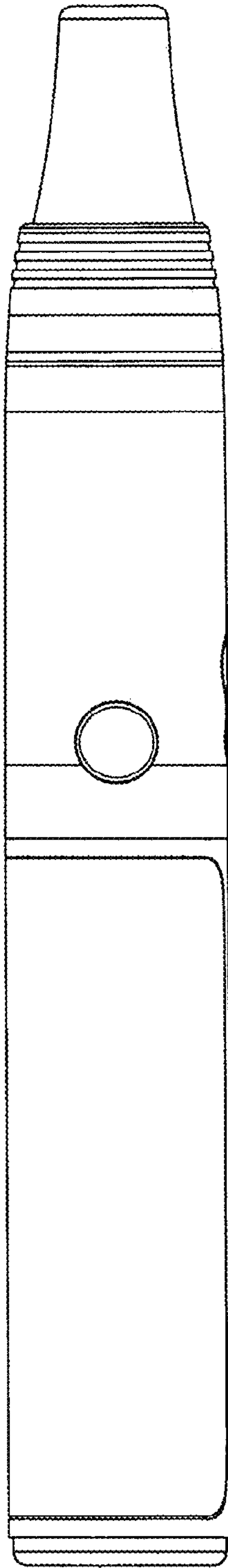


Fig. 6

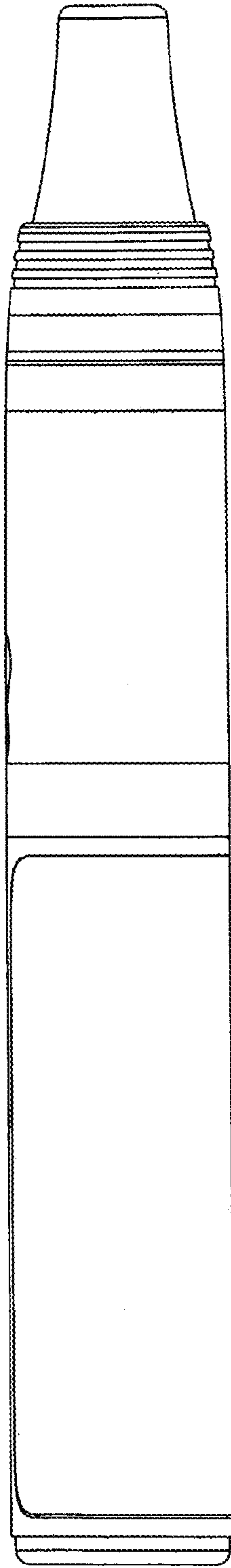


Fig. 7