



US00D751247S

(12) **United States Design Patent**  
**Reynolds**

(10) **Patent No.:** **US D751,247 S**  
(45) **Date of Patent:** **\*\* Mar. 8, 2016**

- (54) **HORTICULTURE GROW LIGHT HOUSING**
- (71) Applicant: **IP Holdings, LLC**, Vancouver, WA (US)
- (72) Inventor: **Christopher Reynolds**, Vancouver, WA (US)
- (73) Assignee: **IP Holdings, LLC**, Vancouver, WA (US)
- (\*\*) Term: **15 Years**
- (21) Appl. No.: **29/534,411**
- (22) Filed: **Jul. 28, 2015**

**Related U.S. Application Data**

- (63) Continuation of application No. 29/478,005, filed on Dec. 30, 2013, now Pat. No. Des. 736,450, which is a continuation of application No. 29/451,028, filed on Mar. 27, 2013, now Pat. No. Des. 698,986.
- (51) **LOC (10) Cl.** ..... **26-99**
- (52) **U.S. Cl.**  
USPC ..... **D26/118**
- (58) **Field of Classification Search**  
USPC ..... D10/18, 21, 24, 25, 27, 28, 46, 93, 104, D10/106, 113, 116.1, 121; D26/113, 120, D26/124, 138  
CPC ..... A63H 30/04; G05G 2009/04748; H04B 1/1027; F21S 8/04; F21S 2/005; F21S 2/00; B29D 21/04; F21V 15/015; F21V 27/00; F21V 21/14; F21V 21/005; F21Y 2103/00  
See application file for complete search history.

(56) **References Cited**

**U.S. PATENT DOCUMENTS**

- D106,614 S \* 10/1937 Waterbury ..... D26/91
- 2,740,883 A \* 4/1956 Kruger ..... F21S 4/003  
362/219

- 2,741,694 A \* 4/1956 Wiig ..... F21V 3/02  
362/332
- D259,738 S \* 6/1981 Boschetti ..... D24/210
- D268,287 S \* 3/1983 Boschetti ..... D24/210

(Continued)

**OTHER PUBLICATIONS**

Adjustable Reflector, image post date Apr. 23, 2012, site visited Sep. 23, 2015, (online), <[http://web.archive.org/web/20120423160757/http://hydroponics-products.en.alibaba.com/product/519225678-213056444/Adjustable\\_Reflector\\_Grow\\_Light\\_Hydroponics\\_greenhouse\\_horticulture\\_reflector\\_hood.html](http://web.archive.org/web/20120423160757/http://hydroponics-products.en.alibaba.com/product/519225678-213056444/Adjustable_Reflector_Grow_Light_Hydroponics_greenhouse_horticulture_reflector_hood.html)>.\*

*Primary Examiner* — Kevin Rudzinski

*Assistant Examiner* — Sean D Lough

(74) *Attorney, Agent, or Firm* — J. Douglas Wells

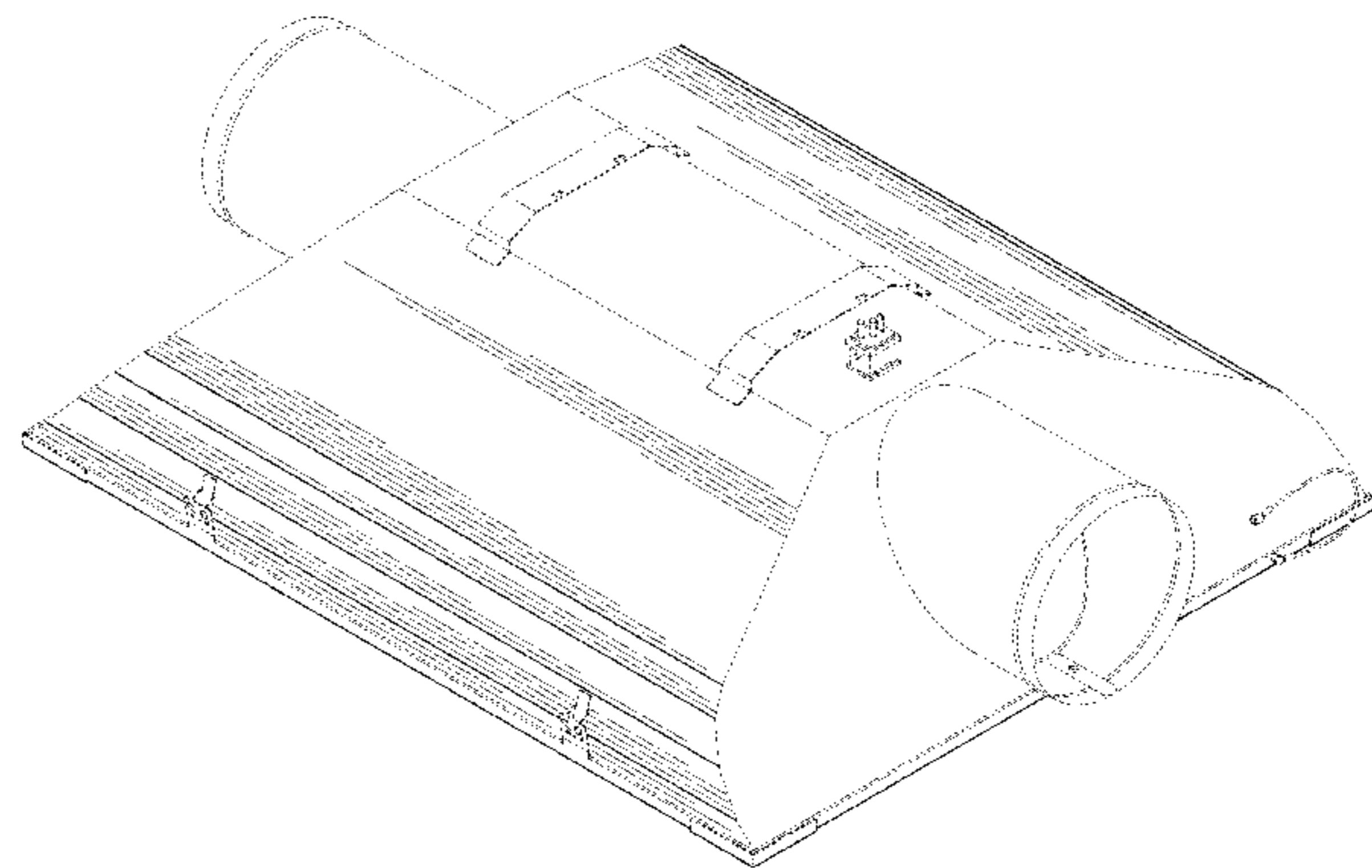
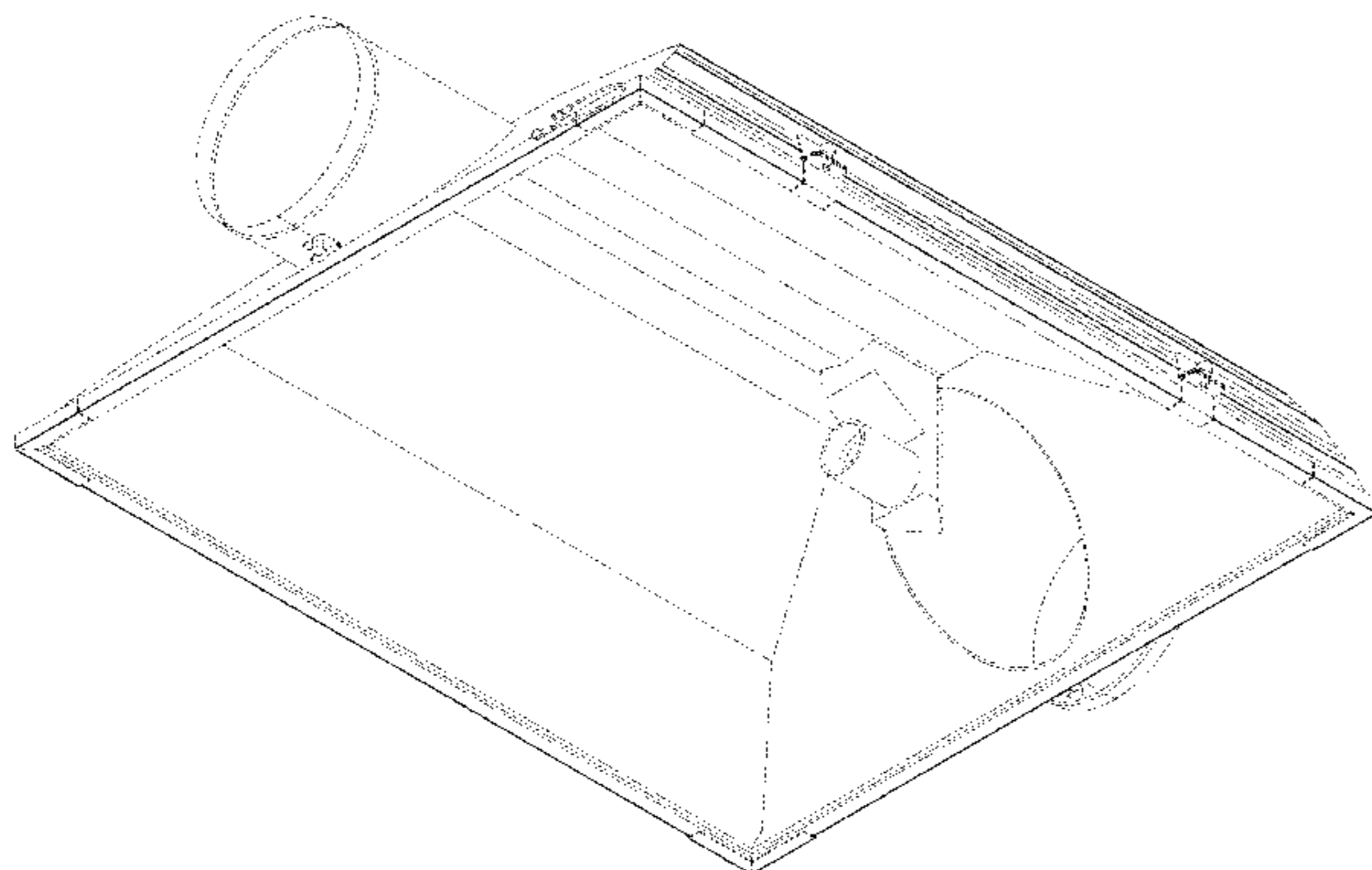
(57) **CLAIM**

The ornamental design for the horticulture grow light housing, as shown and described.

**DESCRIPTION**

FIG. 1 is a perspective view of a horticulture grow light housing, as viewed from below, showing my new design; FIG. 2 is a perspective view of the housing shown in FIG. 1, as viewed from above; FIG. 3 is a left side view of the housing shown in FIG. 1; FIG. 4 is a right side view of the housing shown in FIG. 1; FIG. 5 is a front elevation view of the housing shown in FIG. 1; FIG. 6 is a rear elevation view of the housing shown in FIG. 1; FIG. 7 is a top plan view of the housing shown in FIG. 1; and, FIG. 8 is a bottom plan view of the housing shown in FIG. 1. The broken-line disclosure shown in the views is understood to represent portions of the article in which the claimed design is embodied, but which form no part of the claimed design.

**1 Claim, 6 Drawing Sheets**



(56)

References Cited

U.S. PATENT DOCUMENTS

D323,897 S *	2/1992	Compton	.....	D26/24	D698,986 S *	2/2014	Reynolds	.....	D26/118	362/362
D456,938 S *	5/2002	Wardenburg	.....	D26/118	D698,987 S *	2/2014	Stanley	.....	D26/118	
7,156,539 B2 *	1/2007	Cronk	.....	F21V 7/0016	D702,827 S *	4/2014	Mase	.....	D23/370	
				362/278	D705,974 S *	5/2014	Blessitt	.....	D26/74	
D544,136 S *	6/2007	Hargreaves	.....	D26/118	9,016,907 B2 *	4/2015	Stanley	.....	A01G 7/045	
D544,138 S *	6/2007	Hargreaves	.....	D26/118					362/373	
D544,994 S *	6/2007	Hargreaves	.....	D26/118	D728,848 S *	5/2015	Reyes	.....	D26/118	
D545,484 S *	6/2007	Hargreaves	.....	D26/118	D731,701 S *	6/2015	Hargreaves	.....	D26/118	
D545,485 S *	6/2007	Hargreaves	.....	D26/118	D732,233 S *	6/2015	Reynolds	.....	D26/118	
D545,996 S *	7/2007	Hargreaves	.....	D26/118	D732,234 S *	6/2015	Rashidi Doust	.....	D26/118	
D634,060 S *	3/2011	Wardenburg	.....	D26/118	D732,235 S *	6/2015	Reynolds	.....	D26/118	
D634,468 S *	3/2011	Hargreaves	.....	D26/118	D732,236 S *	6/2015	Reynolds	.....	D26/118	
7,959,331 B2 *	6/2011	Ho	.....	F21V 15/01	D736,450 S *	8/2015	Reynolds	.....	D26/118	
				362/249.02	D737,498 S *	8/2015	Stanley	.....	D26/118	
8,038,318 B2 *	10/2011	Plunk	.....	F21S 8/02	D739,595 S *	9/2015	Reynolds	.....	D26/118	
				362/217.11	2002/0141195 A1 *	10/2002	Peter	.....	A01G 7/045	
D650,935 S *	12/2011	Beghelli	.....	D26/118					362/362	
D655,403 S *	3/2012	Zakula	.....	D23/388	2009/0262540 A1 *	10/2009	Hargreaves	.....	A01G 9/26	
8,209,912 B2 *	7/2012	Hargreaves	.....	A01G 9/26					362/362	
					2013/0155685 A1 *	6/2013	Stanley	.....	F21V 7/00	
									362/294	

\* cited by examiner

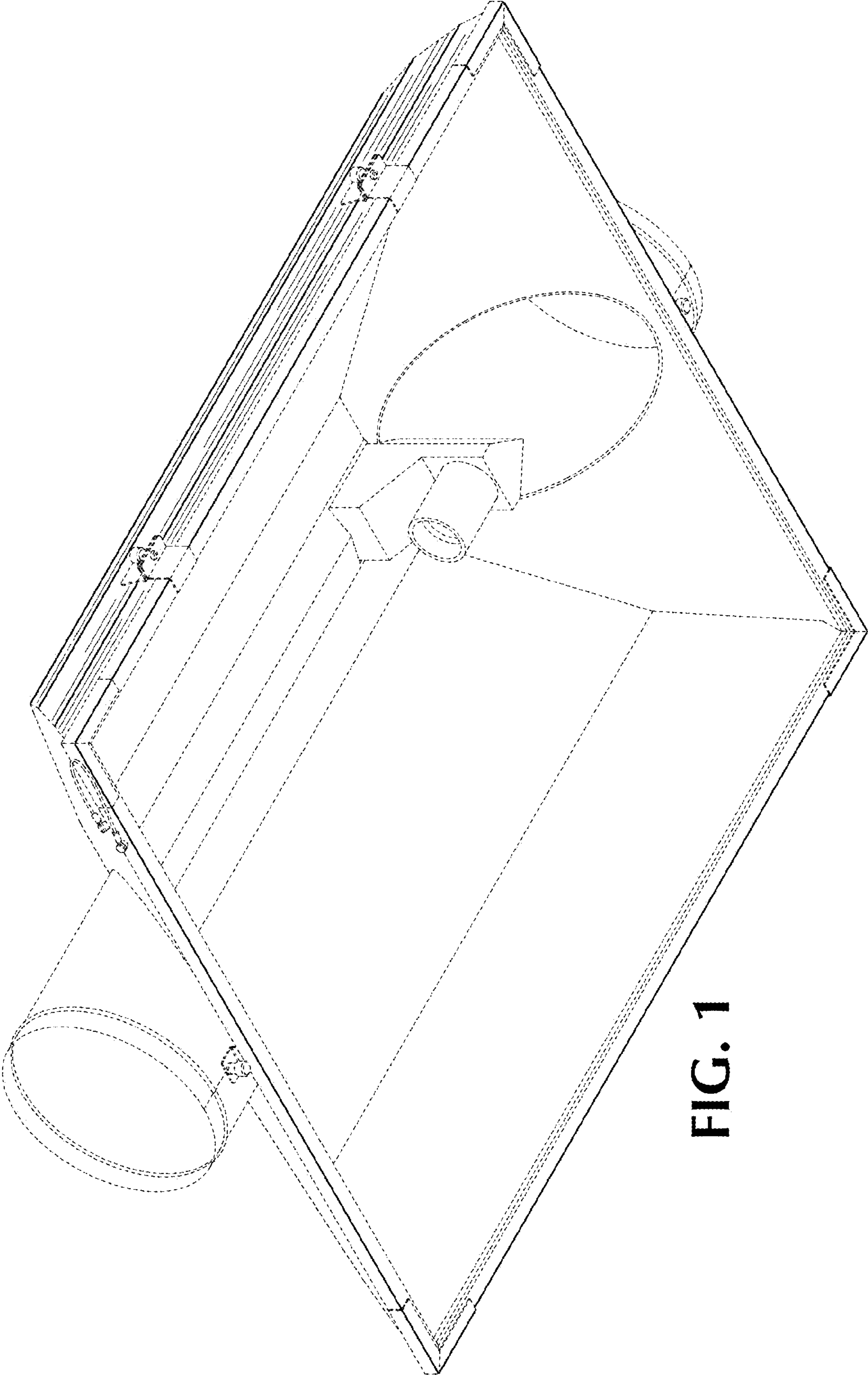


FIG. 1

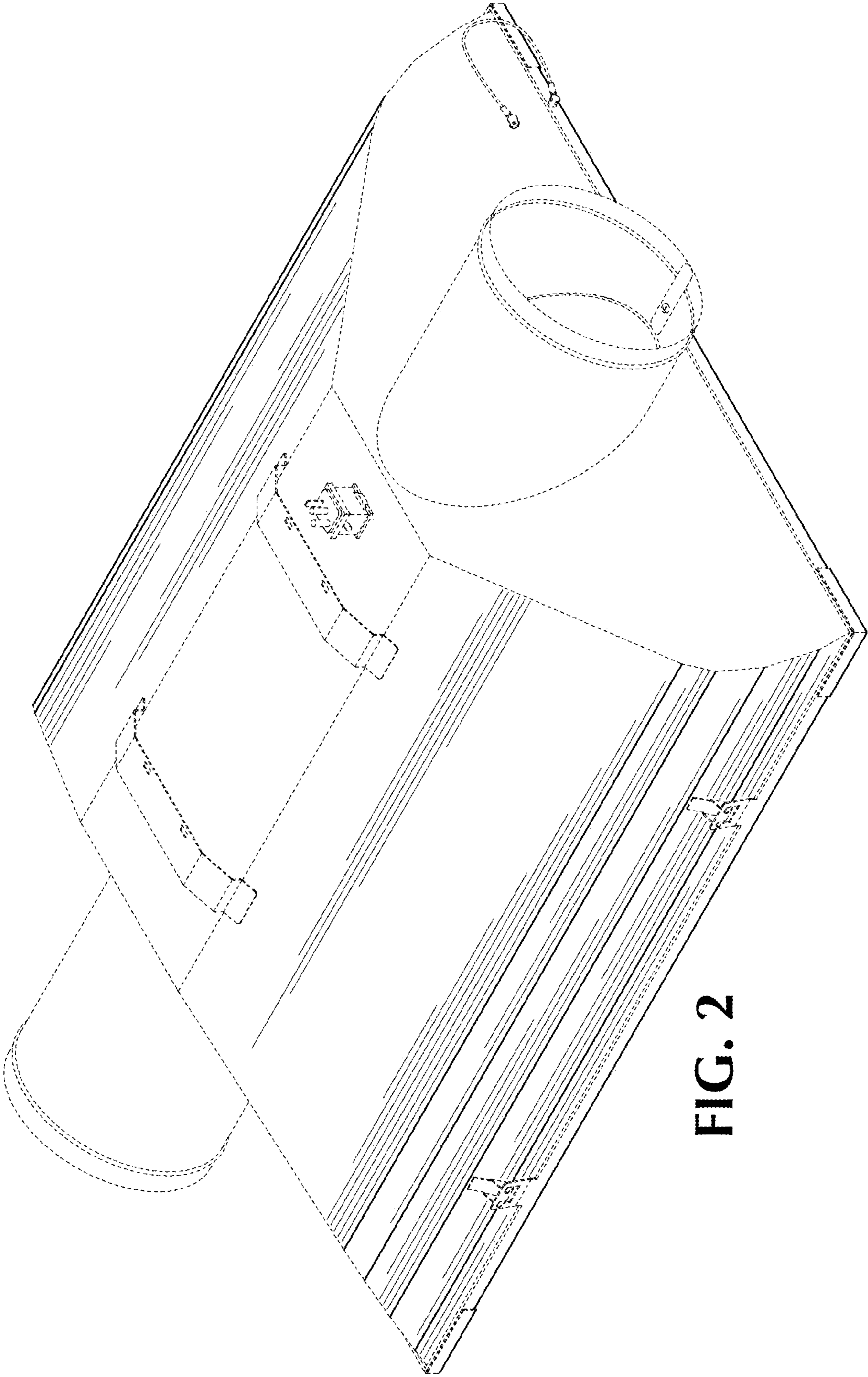


FIG. 2

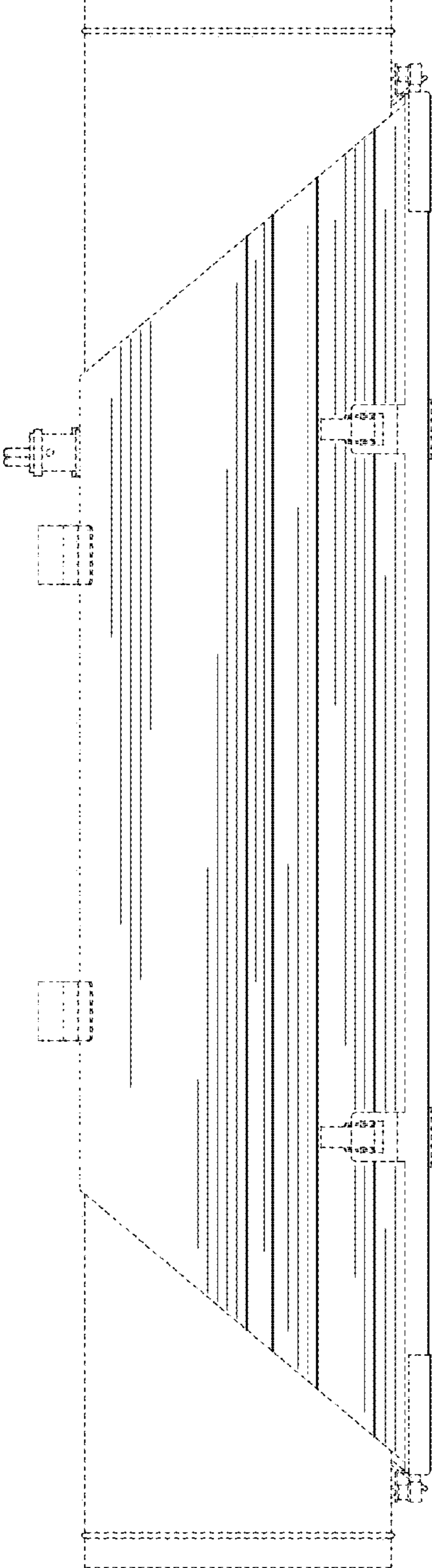


FIG. 3

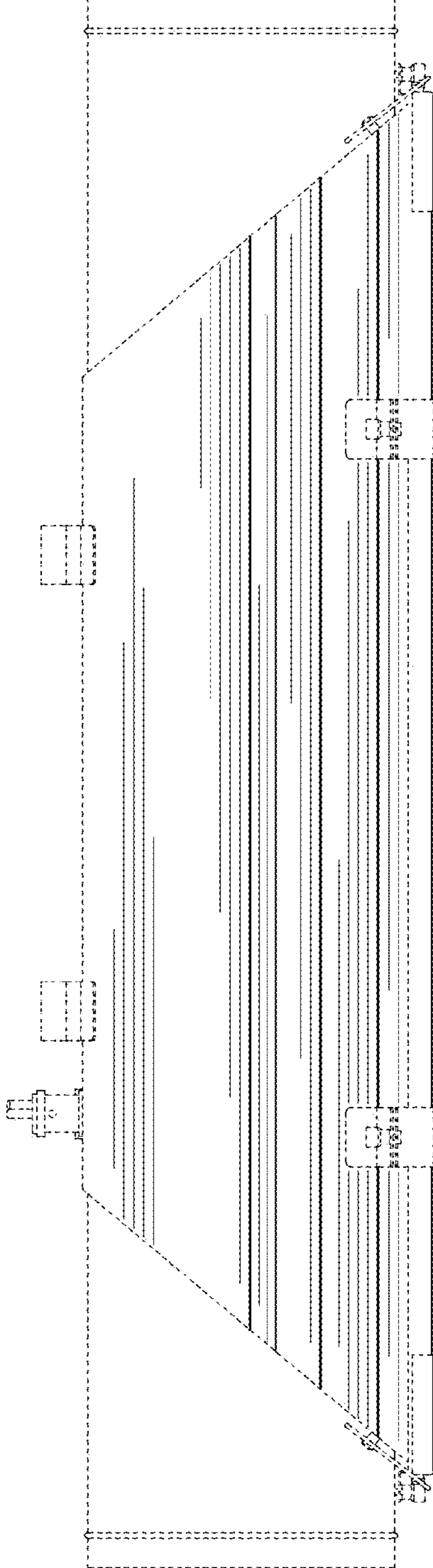


FIG. 4

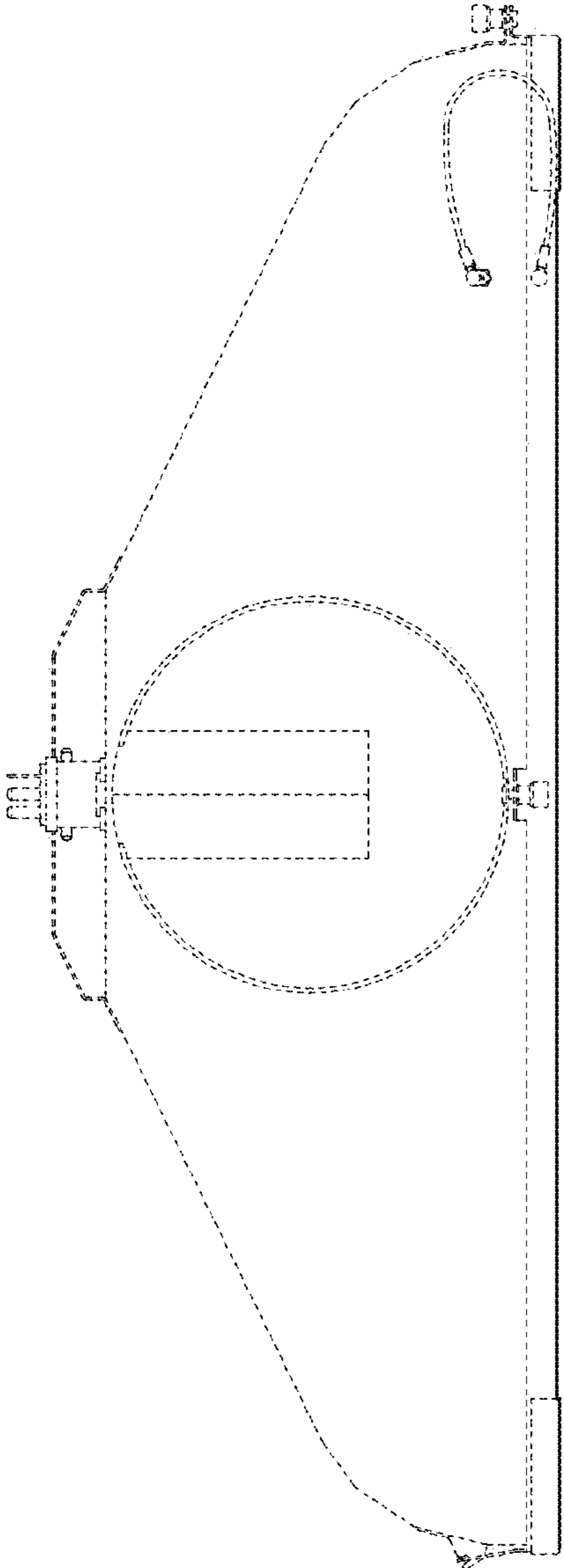


FIG. 5

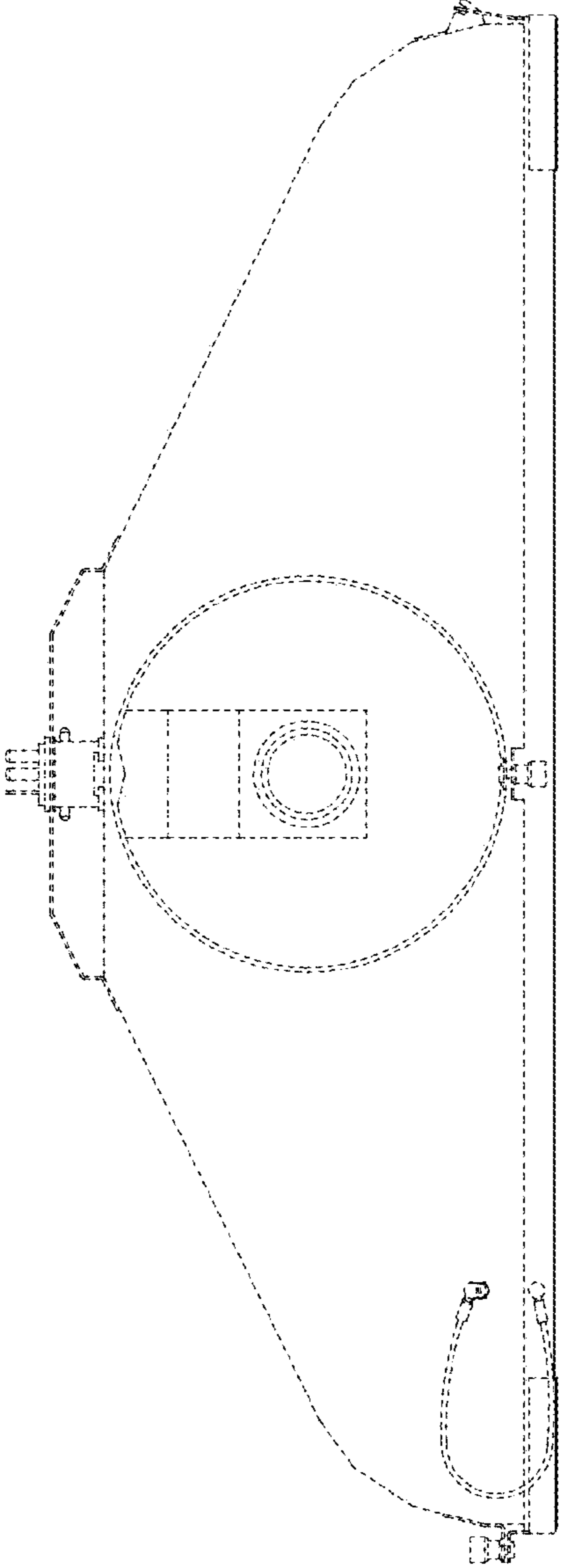
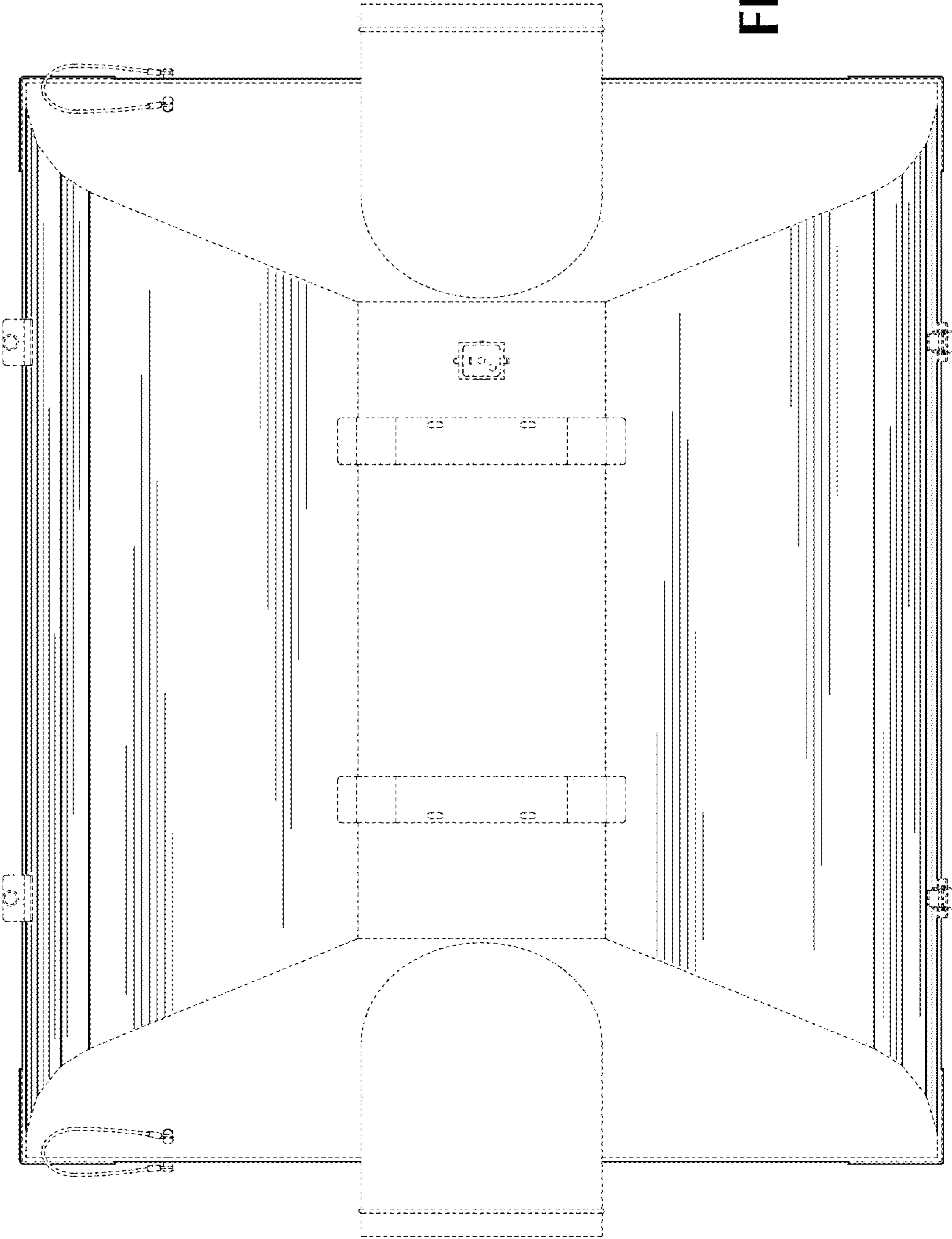


FIG. 6

FIG. 7



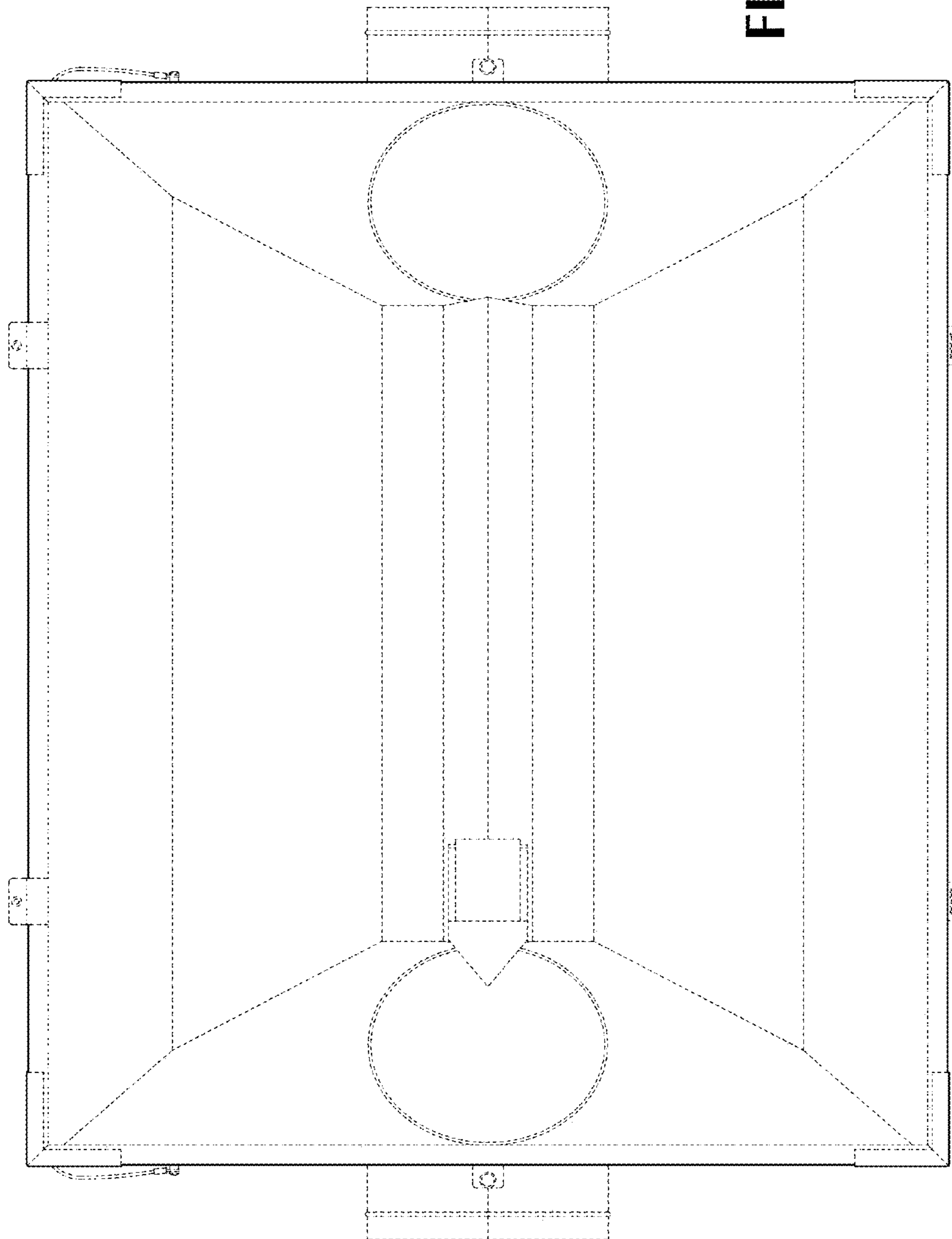


FIG. 8