



US00D751245S

(12) **United States Design Patent**
Stanley

(10) **Patent No.:** **US D751,245 S**
(45) **Date of Patent:** **** Mar. 8, 2016**

- (54) **HORTICULTURE GROW LIGHT**
- (71) Applicant: **IP Holdings, LLC**, Vancouver, WA (US)
- (72) Inventor: **John Stanley**, Vancouver, WA (US)
- (73) Assignee: **IP Holdings, LLC**, Vancouver, WA (US)
- (**) Term: **14 Years**
- (21) Appl. No.: **29/511,535**
- (22) Filed: **Dec. 11, 2014**
- (51) **LOC (10) Cl.** **26-99**
- (52) **U.S. Cl.**
USPC **D26/118**
- (58) **Field of Classification Search**
USPC D10/18, 21, 24, 25, 27, 28, 46, 93, 104,
D10/106, 113, 116.1, 121; D26/72, 113,
D26/120, 124, 138
CPC A63H 30/04; G05G 2009/04748;
H04B 1/1027; F21S 8/04; F21S 2/005;
F21S 2/00; B29D 21/04; F21V 15/015;
F21V 27/00; F21V 21/14; F21V 21/005;
F21Y 2103/00
See application file for complete search history.

(56) **References Cited**

U.S. PATENT DOCUMENTS

D106,614 S *	10/1937	Waterbury	D26/91
D195,012 S *	4/1963	Hoyle	D23/388
4,175,360 A *	11/1979	Mulvey	E04B 9/0428 362/148
4,531,180 A *	7/1985	Hernandez	F21V 11/00 362/297
4,933,821 A *	6/1990	Anderson	F21V 5/00 362/223
D311,597 S *	10/1990	Poot	D26/118
D352,126 S *	11/1994	Ruud	D26/24
6,527,422 B1 *	3/2003	Hutchison	F21S 48/328 362/290

D543,652 S *	5/2007	Hargreaves	D26/118
D544,987 S *	6/2007	Hargreaves	D26/88
D544,995 S *	6/2007	Hargreaves	D26/118
D545,484 S *	6/2007	Hargreaves	D26/118
D545,485 S *	6/2007	Hargreaves	D26/118
D572,858 S *	7/2008	Santoro	D26/120
D614,801 S *	4/2010	Collins	D26/118
7,722,208 B1 *	5/2010	Dupre	F21V 7/00 362/147

(Continued)

OTHER PUBLICATIONS

Low Rider Air-Cooled Reflector—TinEye, image post date Oct. 11, 2012, site visited Oct. 1, 2015, (online), <<https://www.tineye.com/search/1b0e187c5ed9e4e9cfb55d0472271385a2c0e888/?pluginver=>>>.*

Primary Examiner — Kevin Rudzinski

Assistant Examiner — Sean D Lough

(74) *Attorney, Agent, or Firm* — J. Douglas Wells

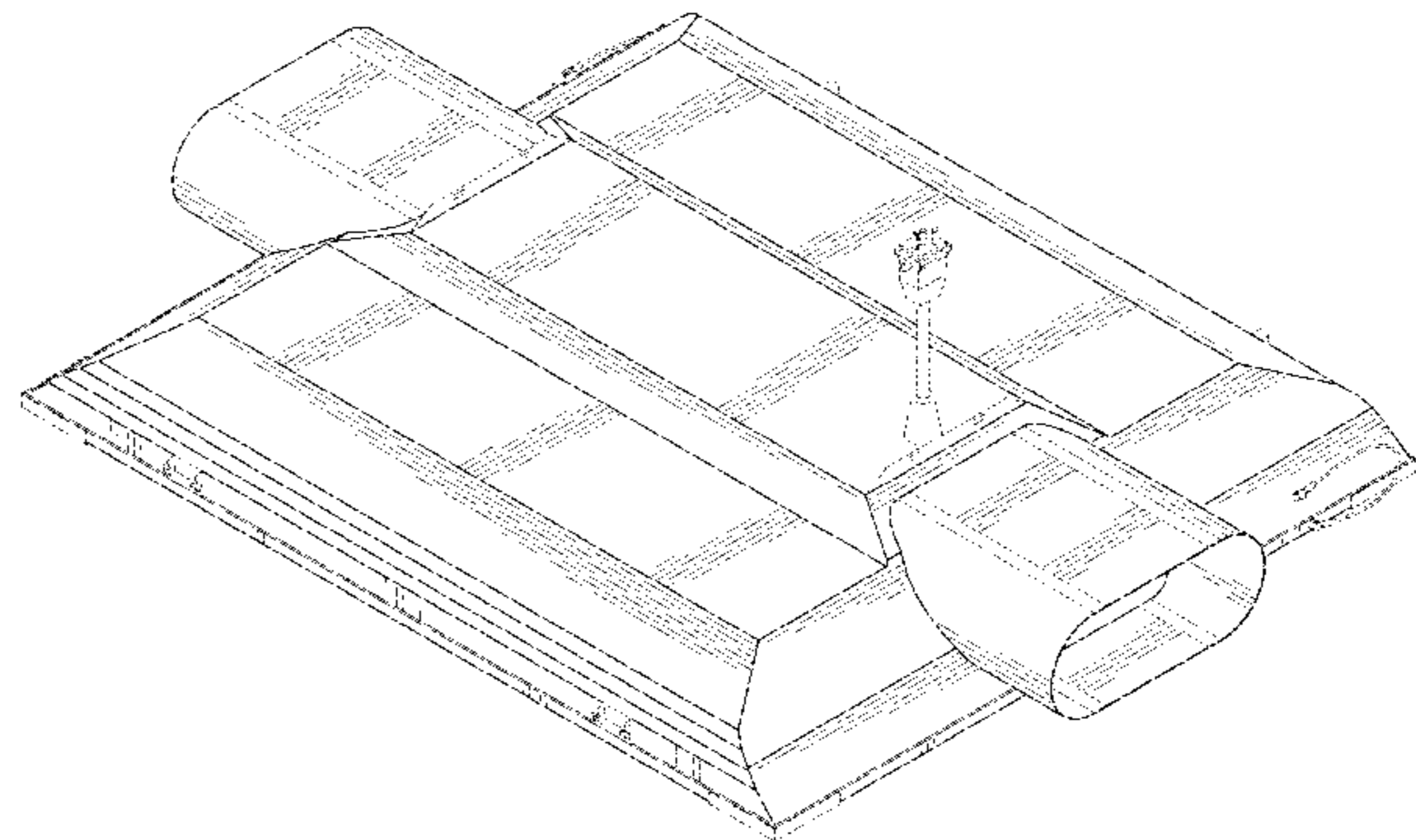
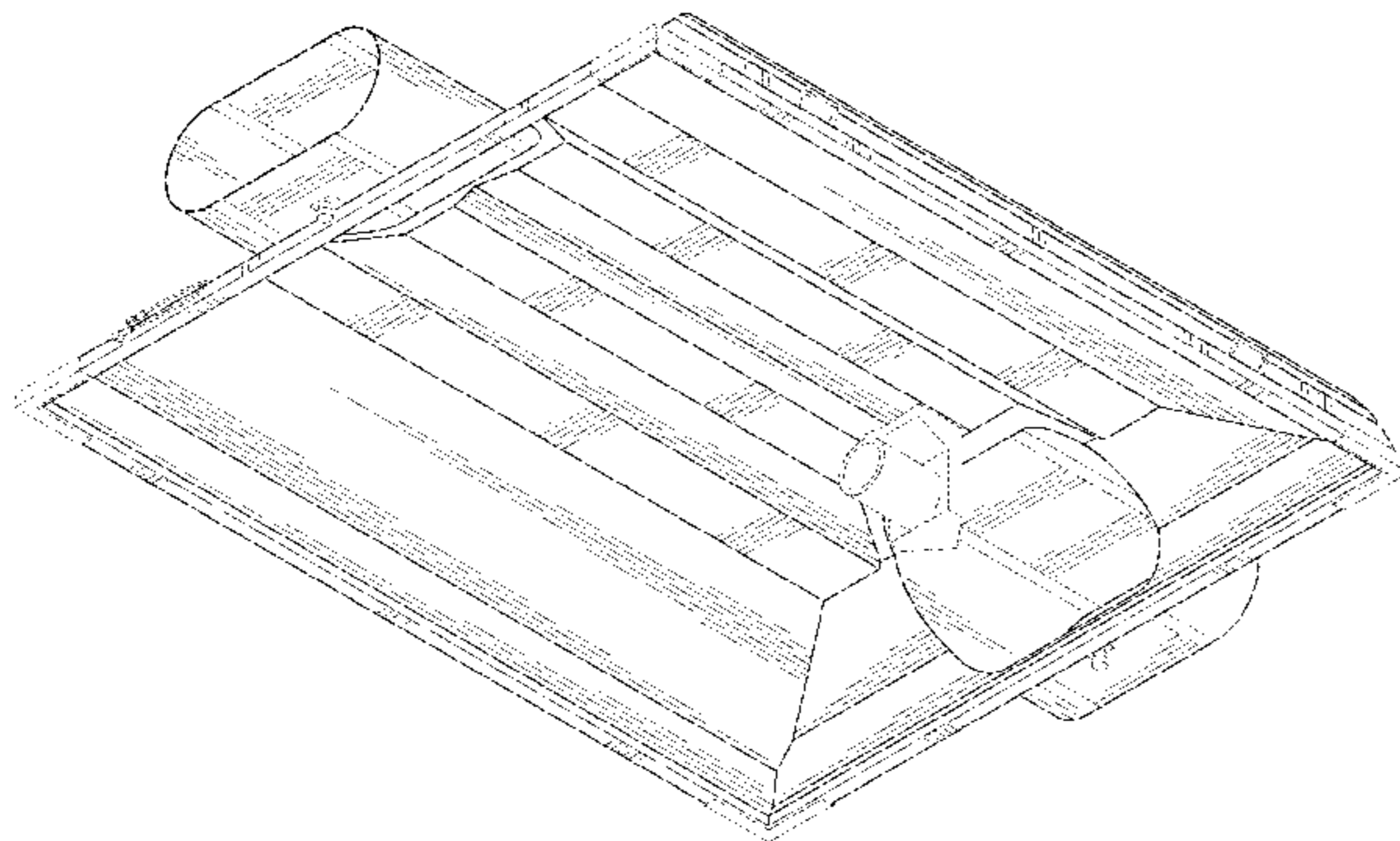
(57) **CLAIM**

The ornamental design for the horticulture grow light, as shown and described.

DESCRIPTION

FIG. 1 is a perspective view of a horticulture grow light, as viewed from below, showing my new design;
 FIG. 2 is a perspective view of the grow light shown in FIG. 1, as viewed from above;
 FIG. 3 is a left side view of the light shown in FIG. 1;
 FIG. 4 is a right side view of the light shown in FIG. 1;
 FIG. 5 is a front elevation view of the light shown in FIG. 1;
 FIG. 6 is a rear elevation view of the light shown in FIG. 1;
 FIG. 7 is a top plan view of the light shown in FIG. 1; and,
 FIG. 8 is a bottom plan view of the light shown in FIG. 1.
 The broken-line disclosure shown in the views is understood to represent portions of the article in which the claimed design is embodied, but which form no part of the claimed design.

1 Claim, 6 Drawing Sheets



(56)

References Cited

U.S. PATENT DOCUMENTS

D634,060 S *	3/2011	Wardenburg	D26/118	D721,844 S *	1/2015	Lay	D26/71
D634,468 S *	3/2011	Hargreaves	D26/118	D725,819 S *	3/2015	Reynolds	D26/118
7,959,331 B2 *	6/2011	Ho	F21V 15/01 362/249.02	9,016,907 B2 *	4/2015	Stanley	A01G 7/045 362/373
7,972,044 B2 *	7/2011	Burkhauser	A01G 9/26 362/218	D728,848 S *	5/2015	Reyes	D26/118
8,209,912 B2 *	7/2012	Hargreaves	A01G 9/26 362/362	D731,701 S *	6/2015	Hargreaves	D26/118
8,348,481 B2 *	1/2013	Chang	F21S 8/04 362/147	D732,233 S *	6/2015	Reynolds	D26/118
8,505,224 B2 *	8/2013	Huang	H02S 30/10 126/704	D732,235 S *	6/2015	Reynolds	D26/118
D698,986 S *	2/2014	Reynolds	D26/118	D732,236 S *	6/2015	Reynolds	D26/118
D698,987 S *	2/2014	Stanley	D26/118	D736,450 S *	8/2015	Reynolds	D26/118
					D737,498 S *	8/2015	Stanley	D26/118
					D739,595 S *	9/2015	Reynolds	D26/118
					2008/0205030 A1 *	8/2008	Hargreaves	F21V 23/026 362/1
					2010/0302768 A1 *	12/2010	Collins	F21V 7/09 362/217.05

* cited by examiner

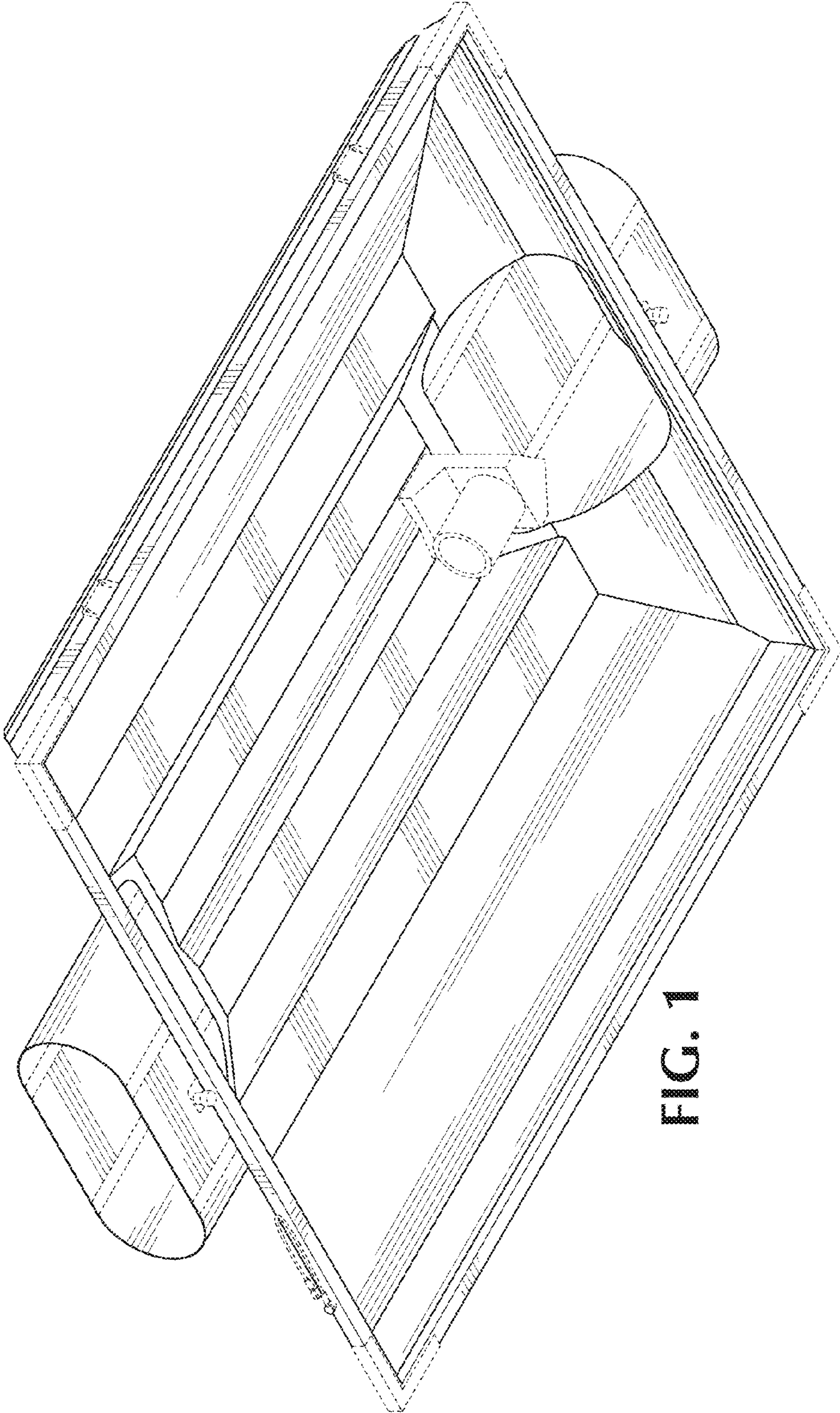


FIG. 1

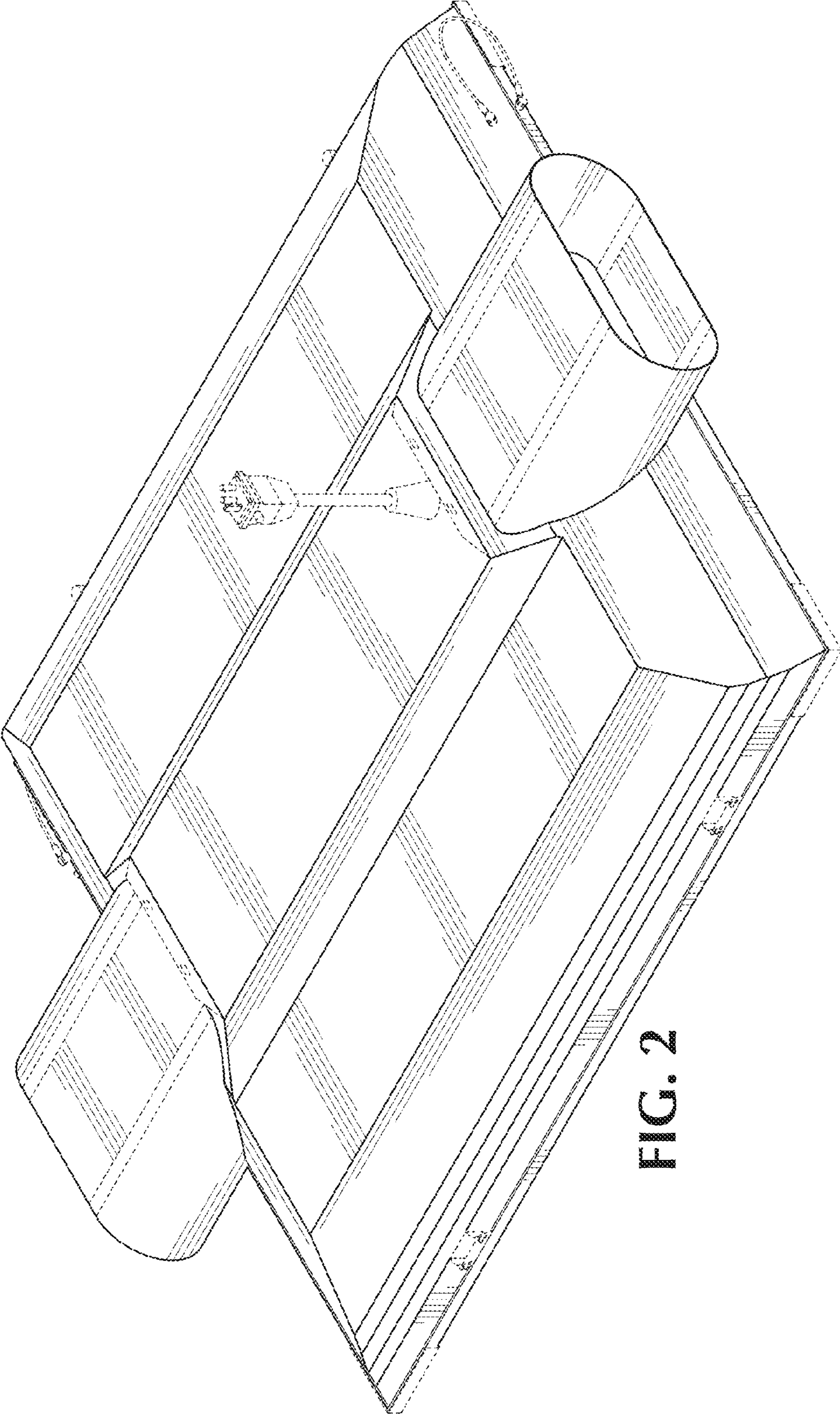


FIG. 2

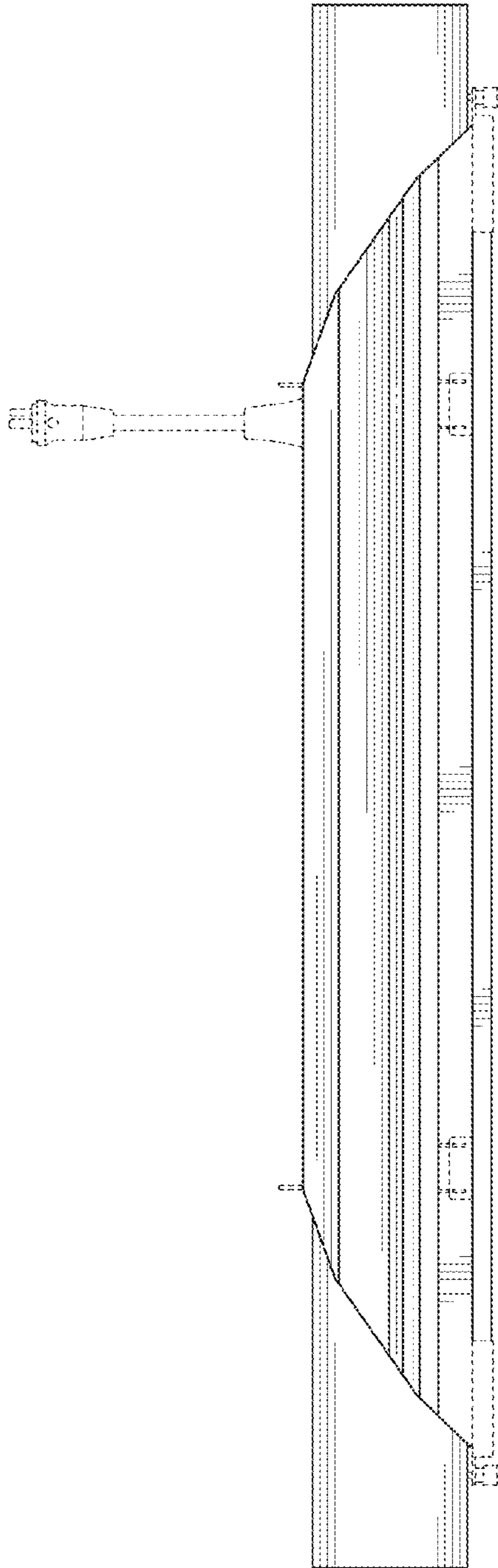


FIG. 3

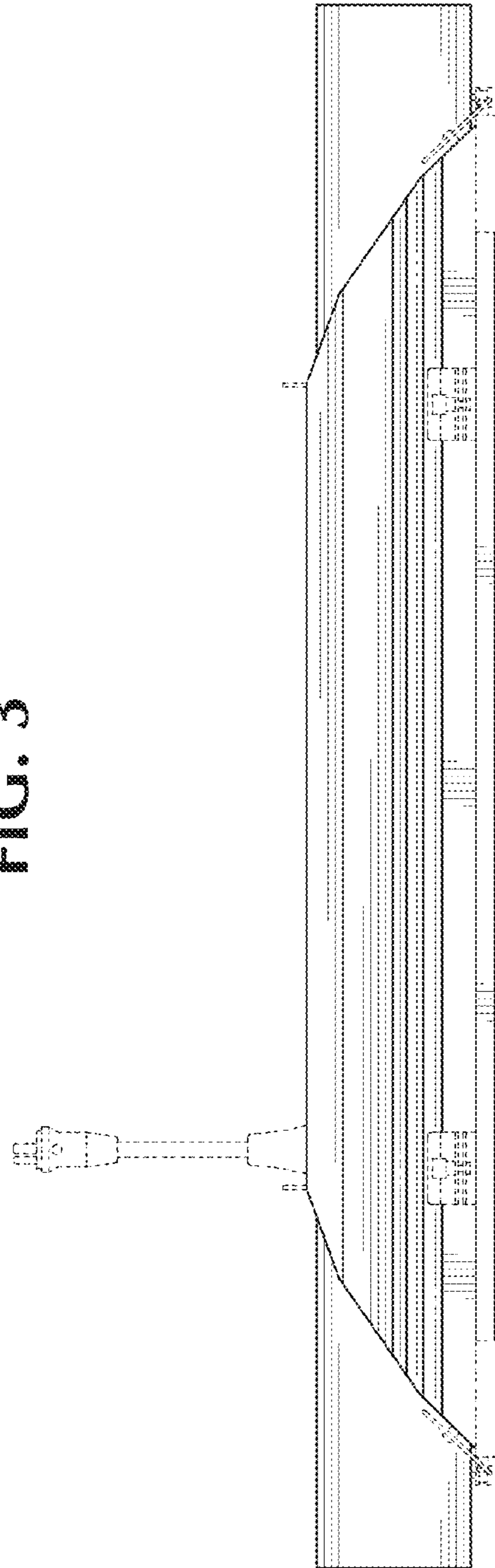


FIG. 4

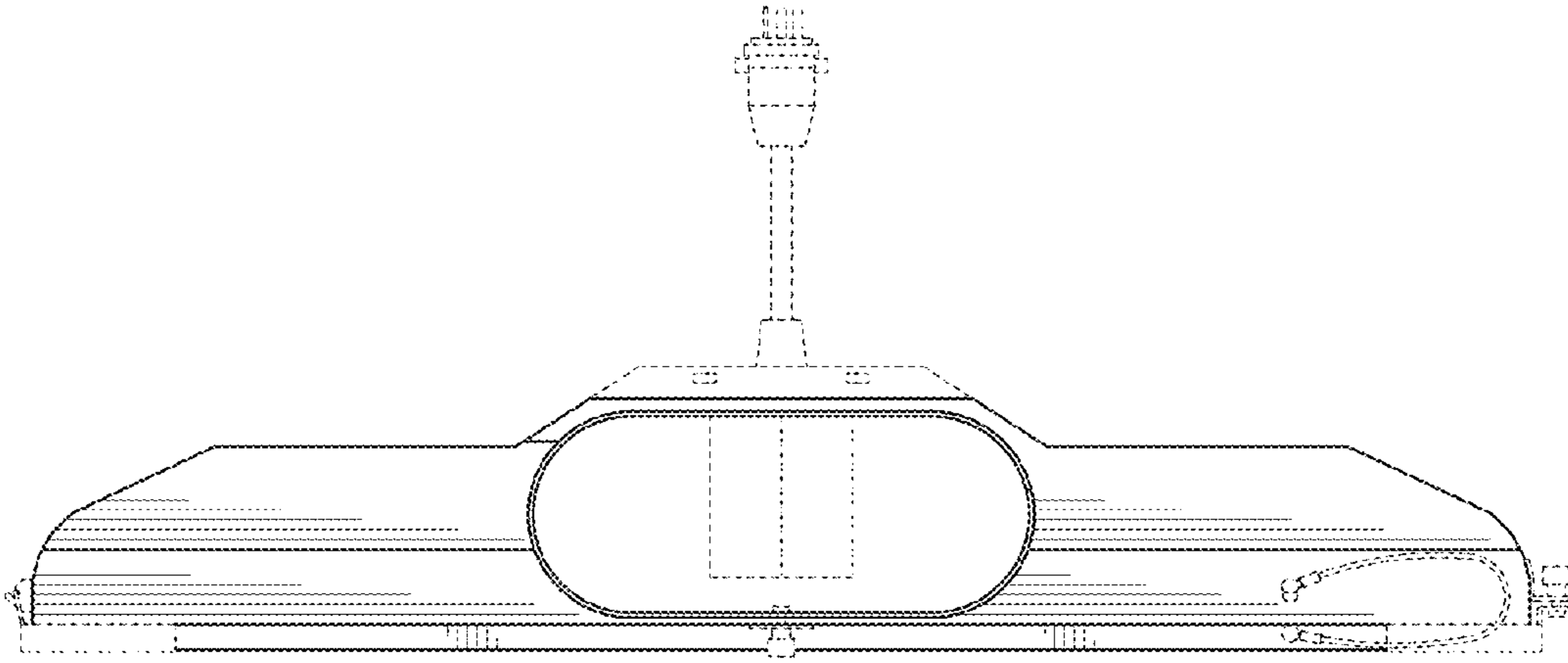


FIG. 5

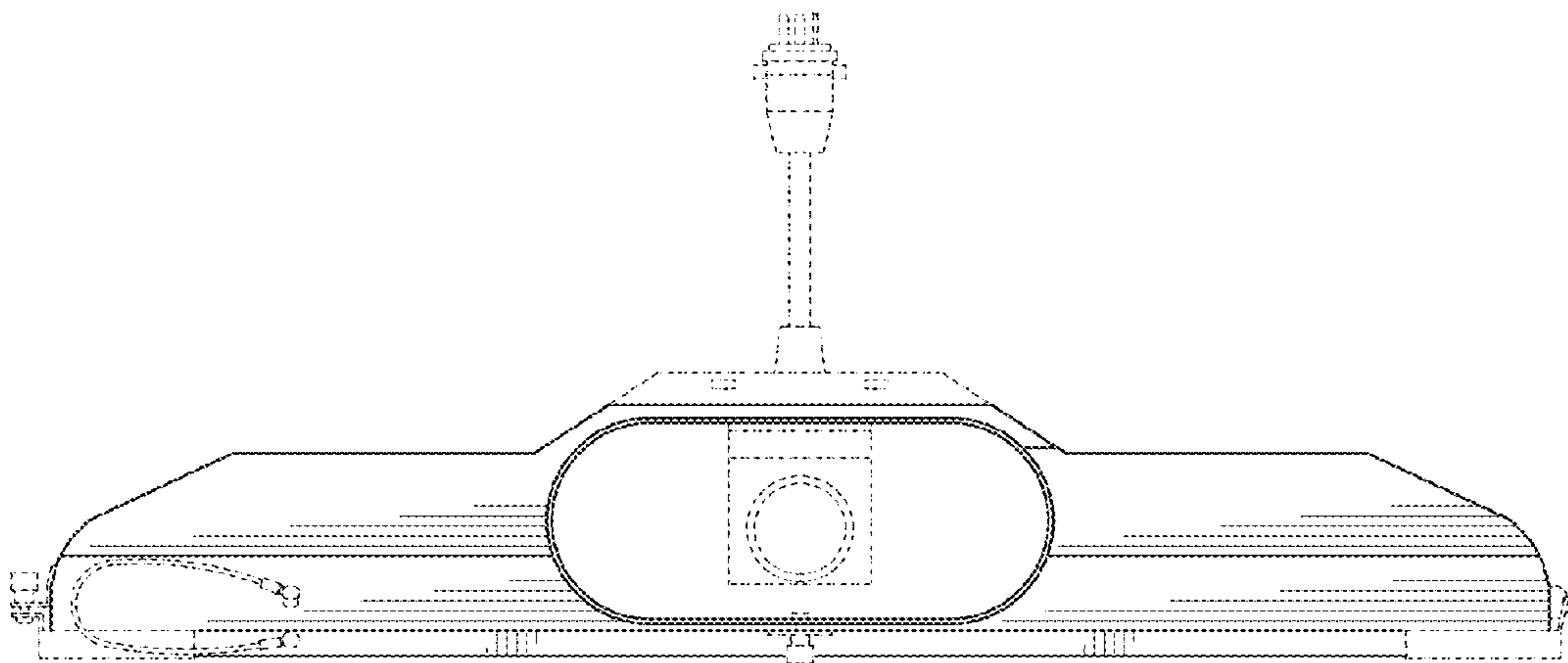


FIG. 6

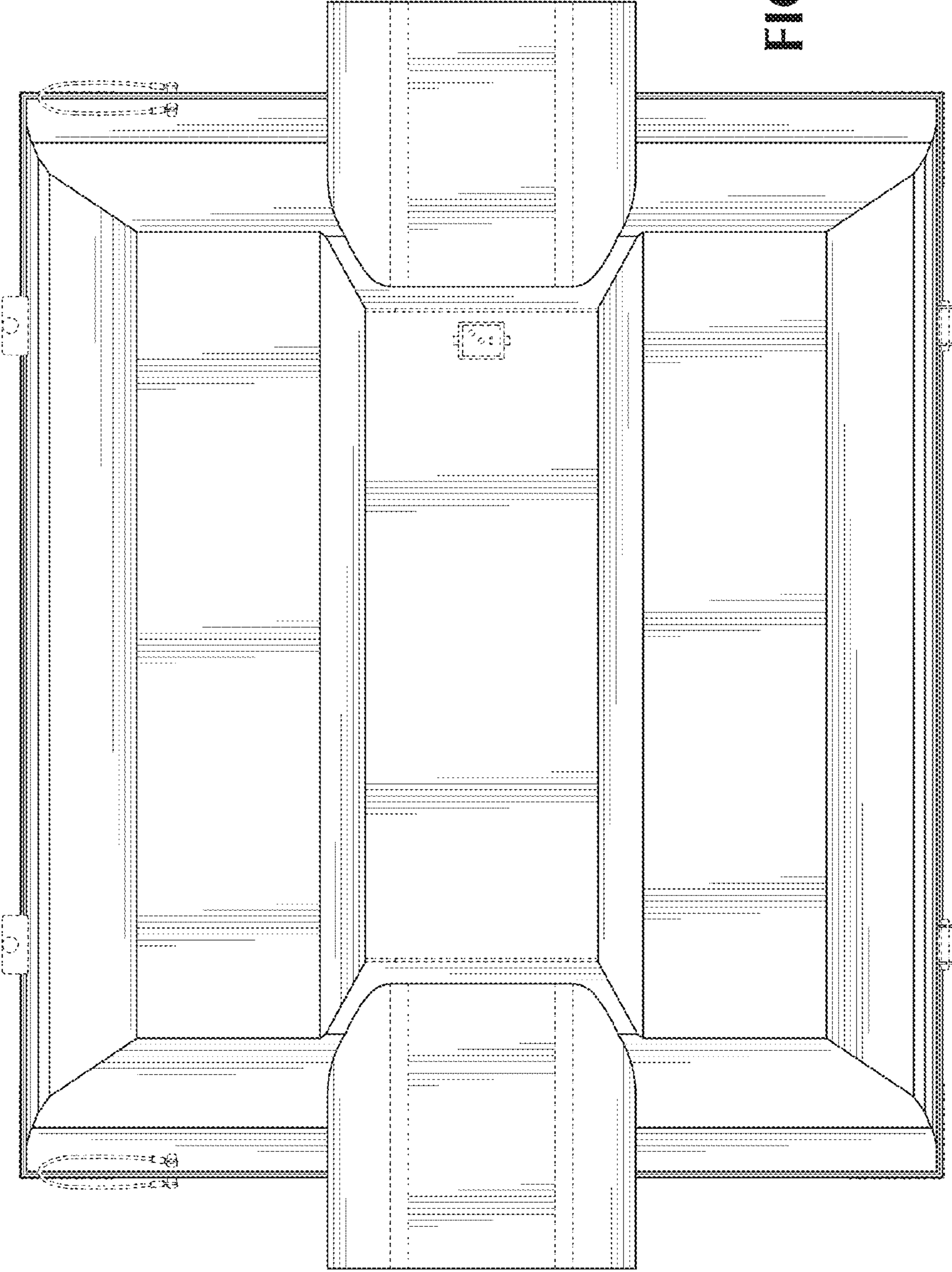


FIG. 7

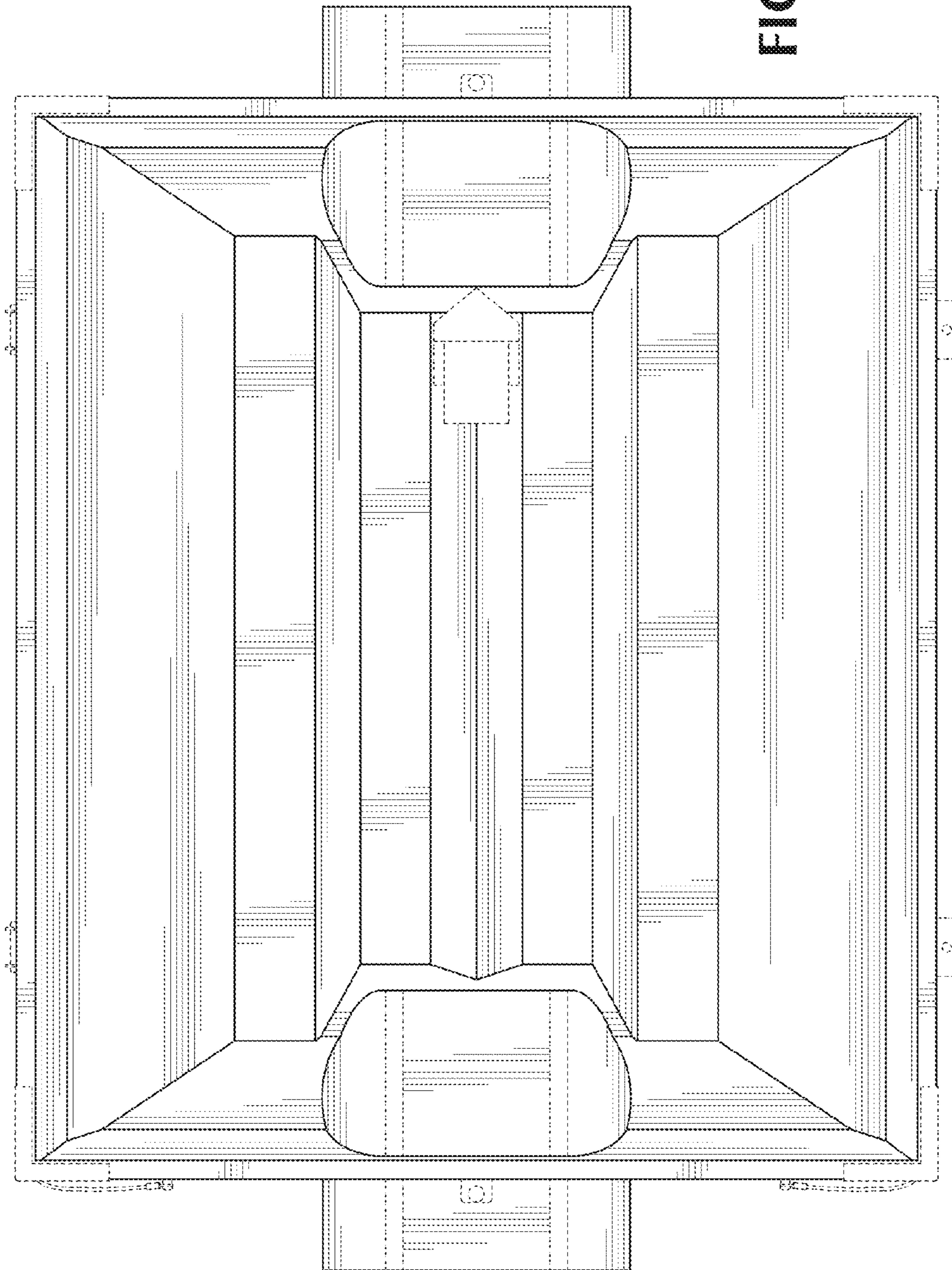


FIG. 8