



US00D751244S

(12) **United States Design Patent**
Reynolds

(10) **Patent No.:** **US D751,244 S**
(45) **Date of Patent:** **** Mar. 8, 2016**

- (54) **HORTICULTURE GROW LIGHT**
- (71) Applicant: **IP Holdings, LLC**, Vancouver, WA (US)
- (72) Inventor: **Chris Reynolds**, Vancouver, WA (US)
- (73) Assignee: **IP Holdings, LLC**, Vancouver, WA (US)
- (**) Term: **14 Years**
- (21) Appl. No.: **29/508,598**
- (22) Filed: **Nov. 7, 2014**
- (51) **LOC (10) Cl.** **26-99**
- (52) **U.S. Cl.**
USPC **D26/118**
- (58) **Field of Classification Search**
USPC D10/18, 21, 24, 25, 27, 28, 46, 93, 104,
D10/106, 113, 116.1, 121; D26/72, 113,
D26/120, 124, 138
CPC A63H 30/04; G05G 2009/04748;
H04B 1/1027; F21S 8/04; F21S 2/005;
F21S 2/00; B29D 21/04; F21V 15/015;
F21V 27/00; F21V 21/14; F21V 21/005;
F21Y 2103/00
See application file for complete search history.

- (56) **References Cited**
U.S. PATENT DOCUMENTS
D135,375 S * 3/1943 Biller D26/76
2,740,883 A * 4/1956 Kruger F21S 4/003
362/219
3,272,978 A * 9/1966 Jackson F21S 8/06
174/535
D268,287 S * 3/1983 Boschetti D24/210
4,531,180 A * 7/1985 Hernandez F21V 11/00
362/297
4,933,821 A * 6/1990 Anderson F21V 5/00
362/223
D323,897 S * 2/1992 Compton D26/24
D352,126 S * 11/1994 Ruud D26/24

- D377,234 S * 1/1997 Roberts D26/138
- D447,272 S * 8/2001 Smith D26/118
- D456,938 S * 5/2002 Wardenburg D26/118
- 6,527,422 B1 * 3/2003 Hutchison F21S 48/328
362/290
- D542,460 S * 5/2007 Hargreaves D26/118

(Continued)

OTHER PUBLICATIONS

Horticultural Lights, image post date Jul. 7, 2014, site visited Sep. 30, 2015, (online), <<http://web.archive.org/web/20140707223459/http://www.kindgreenbuds.com/cannabis-grow-bible/best-lighting-systems/>>.*

(Continued)

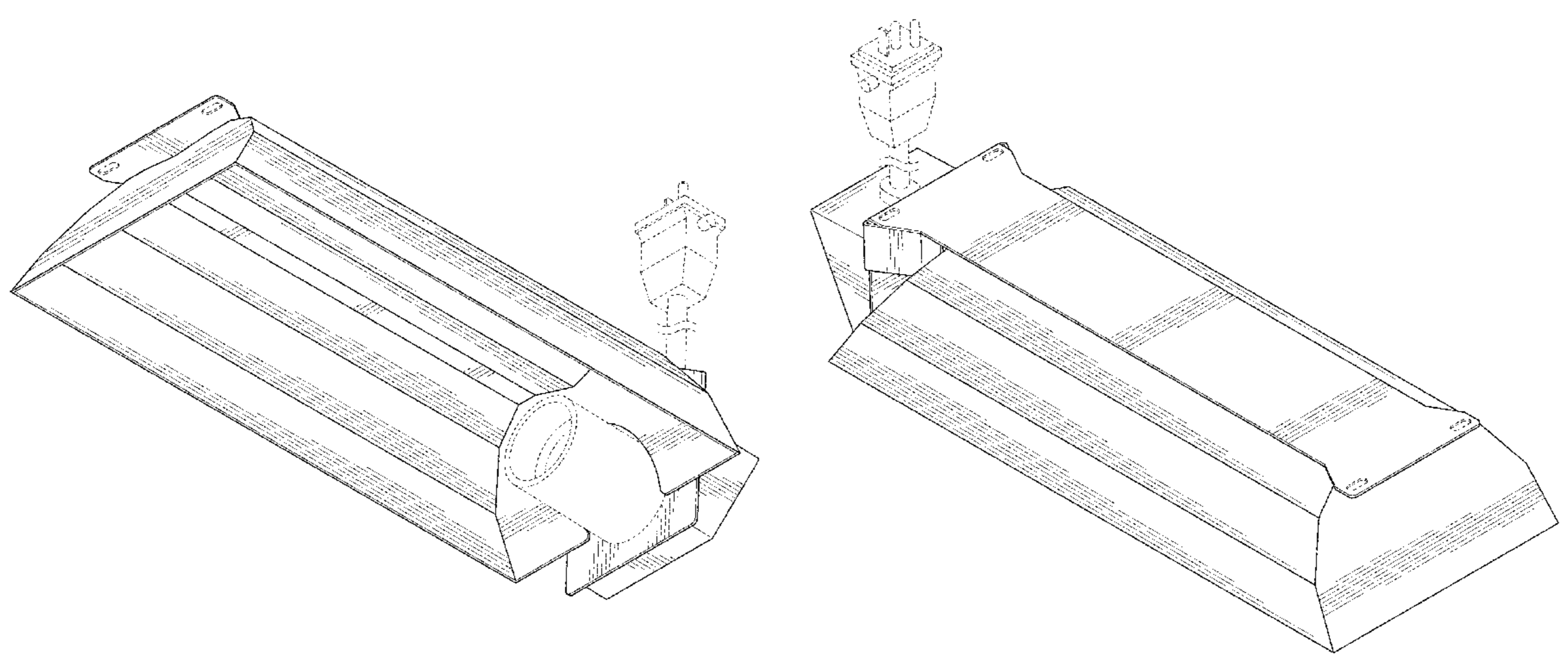
Primary Examiner — Kevin Rudzinski
Assistant Examiner — Sean D Lough
(74) *Attorney, Agent, or Firm* — J. Douglas Wells

(57) **CLAIM**
The ornamental design for a horticulture grow light, as shown and described.

DESCRIPTION

FIG. 1 is a perspective view of a horticulture grow light, as viewed from below, showing my new design;
FIG. 2 is a perspective view of the light shown in FIG. 1, as viewed from above;
FIG. 3 is a right side view of the light shown in FIG. 1;
FIG. 4 is a left side view of the light shown in FIG. 1;
FIG. 5 is a rear elevation view of the light shown in FIG. 1;
FIG. 6 is a front elevation view of the light shown in FIG. 1;
FIG. 7 is a top plan view of the light shown in FIG. 1; and,
FIG. 8 is a bottom plan view of the light shown in FIG. 1.
The broken-line disclosure shown in the views is understood to represent portions of the article in which the claimed design is embodied, but which form no part of the claimed design.

1 Claim, 7 Drawing Sheets



(56)

References Cited

U.S. PATENT DOCUMENTS

D543,652 S * 5/2007 Hargreaves D26/118
 D544,131 S * 6/2007 Blackman D26/85
 D544,139 S * 6/2007 Hargreaves D26/118
 D544,983 S * 6/2007 Hargreaves D26/76
 D544,984 S * 6/2007 Hargreaves D26/76
 D544,987 S * 6/2007 Hargreaves D26/88
 D544,995 S * 6/2007 Hargreaves D26/118
 D545,484 S * 6/2007 Hargreaves D26/118
 D586,030 S * 2/2009 Genova D26/85
 D613,900 S * 4/2010 Hargreaves D26/145
 7,722,208 B1 * 5/2010 Dupre F21V 7/00
 362/147
 7,722,228 B2 * 5/2010 Broer A01G 9/26
 362/264
 D634,060 S * 3/2011 Wardenburg D26/118
 D637,162 S * 5/2011 Bridgman D13/152
 7,959,331 B2 * 6/2011 Ho F21V 15/01
 362/249.02
 D672,911 S * 12/2012 Mayfield, III D26/120
 D675,369 S * 1/2013 Michaud D26/118
 8,348,481 B2 * 1/2013 Chang F21S 8/04
 362/147
 D691,318 S * 10/2013 Wilcox D26/85
 D698,986 S * 2/2014 Reynolds D26/118
 D698,987 S * 2/2014 Stanley D26/118
 D725,819 S * 3/2015 Reynolds D26/118
 9,010,970 B2 * 4/2015 Guercio F21V 29/004
 362/373
 9,016,907 B2 * 4/2015 Stanley A01G 7/045

D731,701 S * 6/2015 Hargreaves D26/118
 D732,233 S * 6/2015 Reynolds D26/118
 D732,235 S * 6/2015 Reynolds D26/118
 D732,236 S * 6/2015 Reynolds D26/118
 D736,450 S * 8/2015 Reynolds D26/118
 D737,134 S * 8/2015 Thompson D8/396
 D737,498 S * 8/2015 Stanley D26/118
 9,110,209 B2 * 8/2015 Blessitt G02B 6/0055
 D739,595 S * 9/2015 Reynolds D26/118
 2001/0023173 A1 * 9/2001 Schiedegger F24F 7/02
 454/367
 2002/0141195 A1 * 10/2002 Peter A01G 7/045
 362/362
 2009/0262540 A1 * 10/2009 Hargreaves A01G 9/26
 362/362
 2009/0323335 A1 * 12/2009 Yang F21K 9/00
 362/247
 2013/0083539 A1 * 4/2013 Dimitriadis F21V 7/00
 362/297

OTHER PUBLICATIONS

Horticultural Lighting, image post date Sep. 2008, site visited Sep. 30, 2015, (online), <<http://www.dendroboard.com/forum/sponsor-classifieds/104681-grow-your-own-plants-horticulture-neherp.html>>.*
 Steel S Section, image post date Aug. 30, 2000, site visited Sep. 30, 2015, (online), <<http://web.archive.org/web/20000830093120/http://www.efunda.com/math/areas/RolledSteelBeamsS.cfm>>.*

* cited by examiner

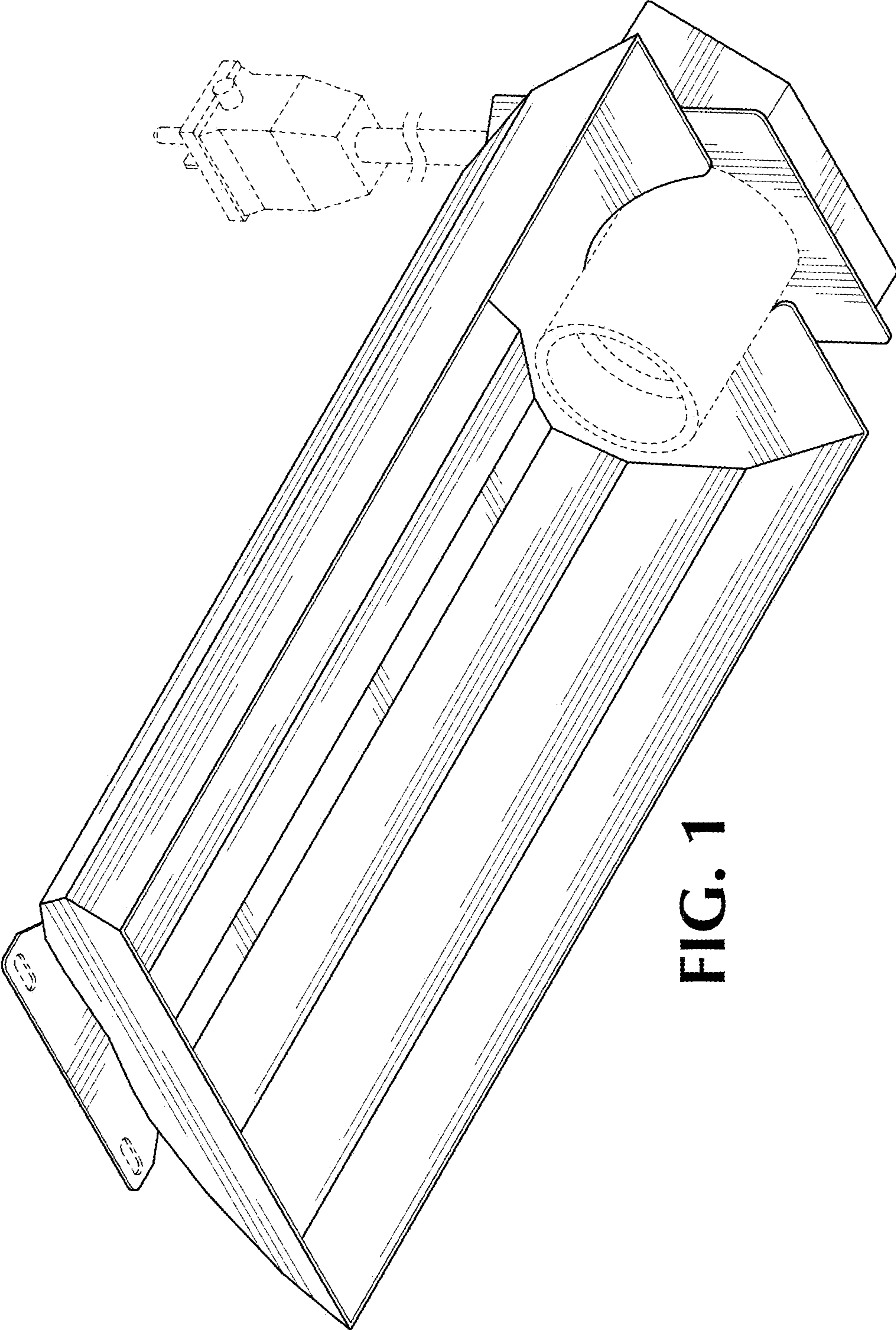


FIG. 1

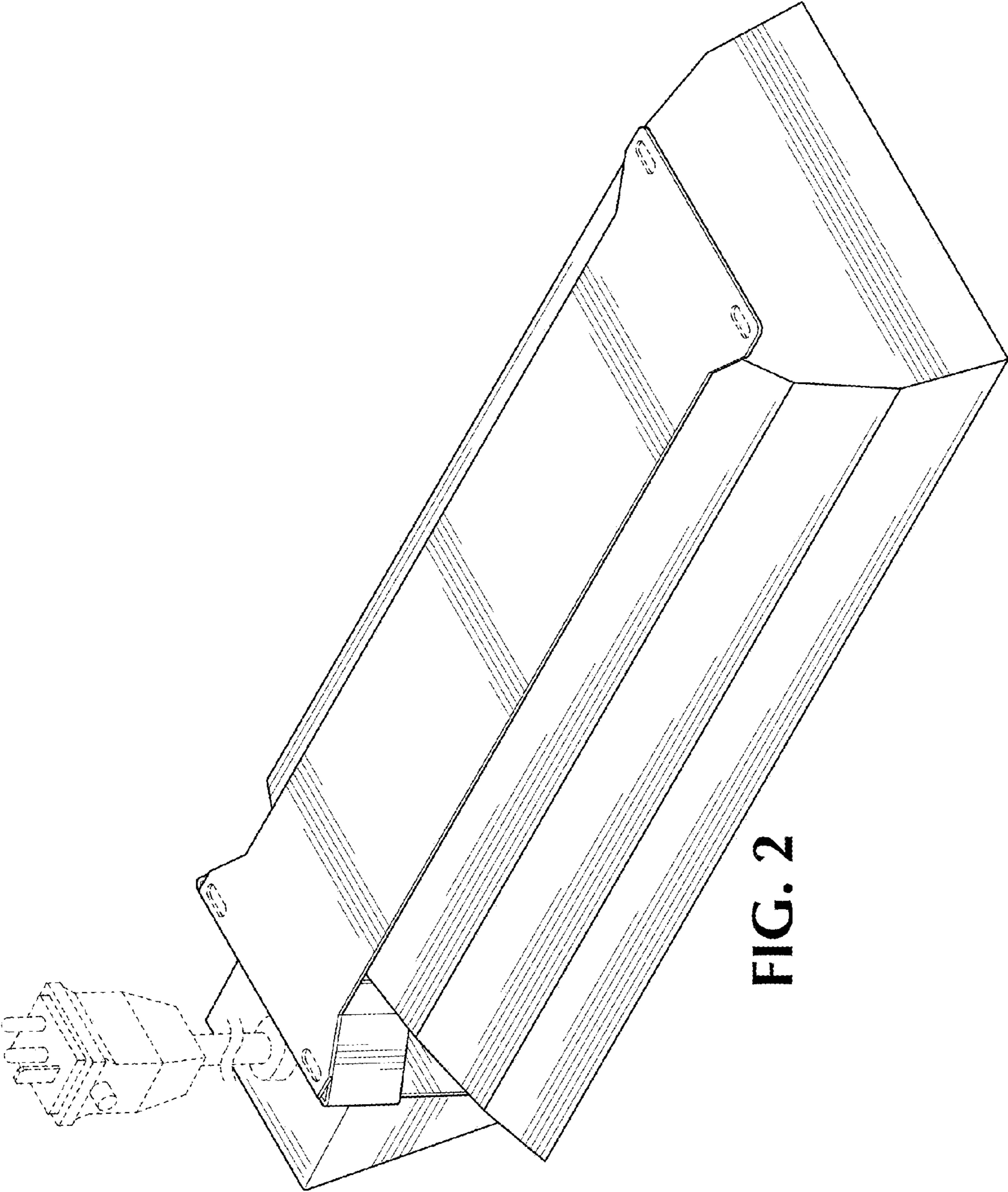


FIG. 2

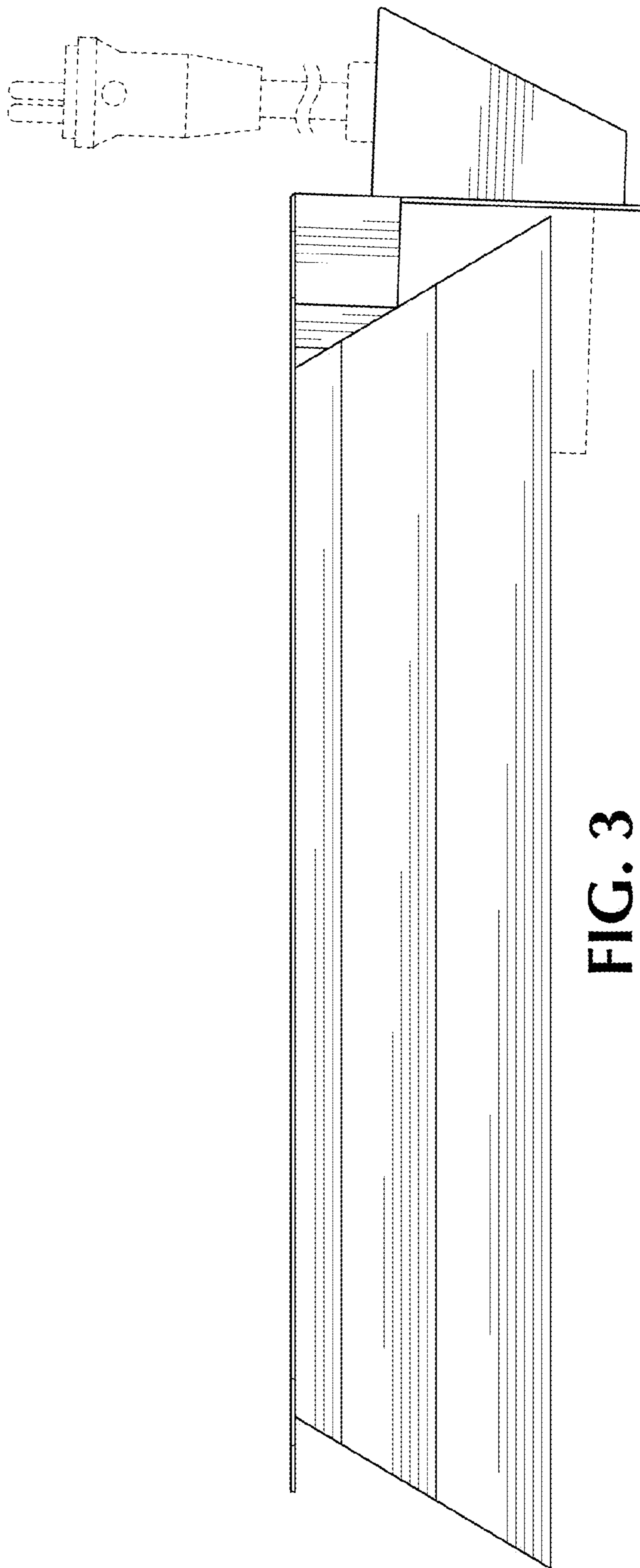


FIG. 3

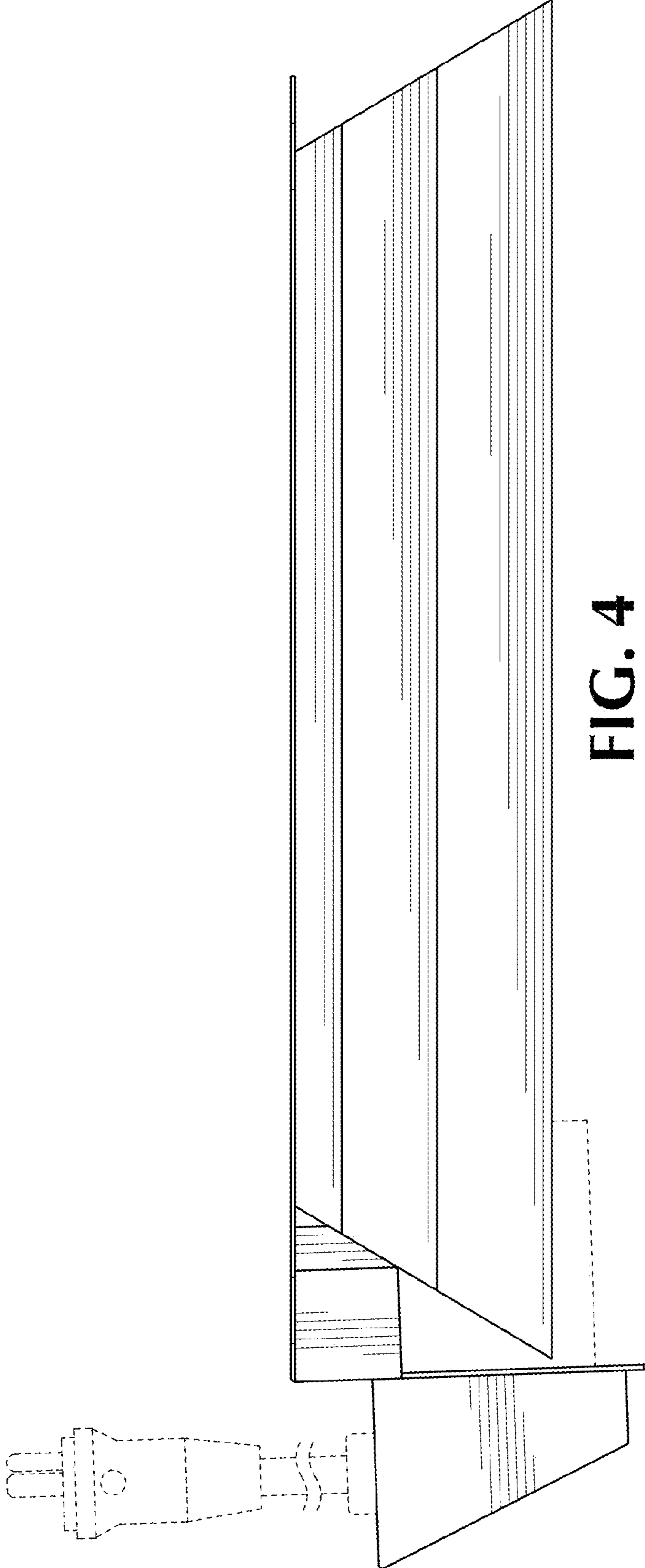


FIG. 4

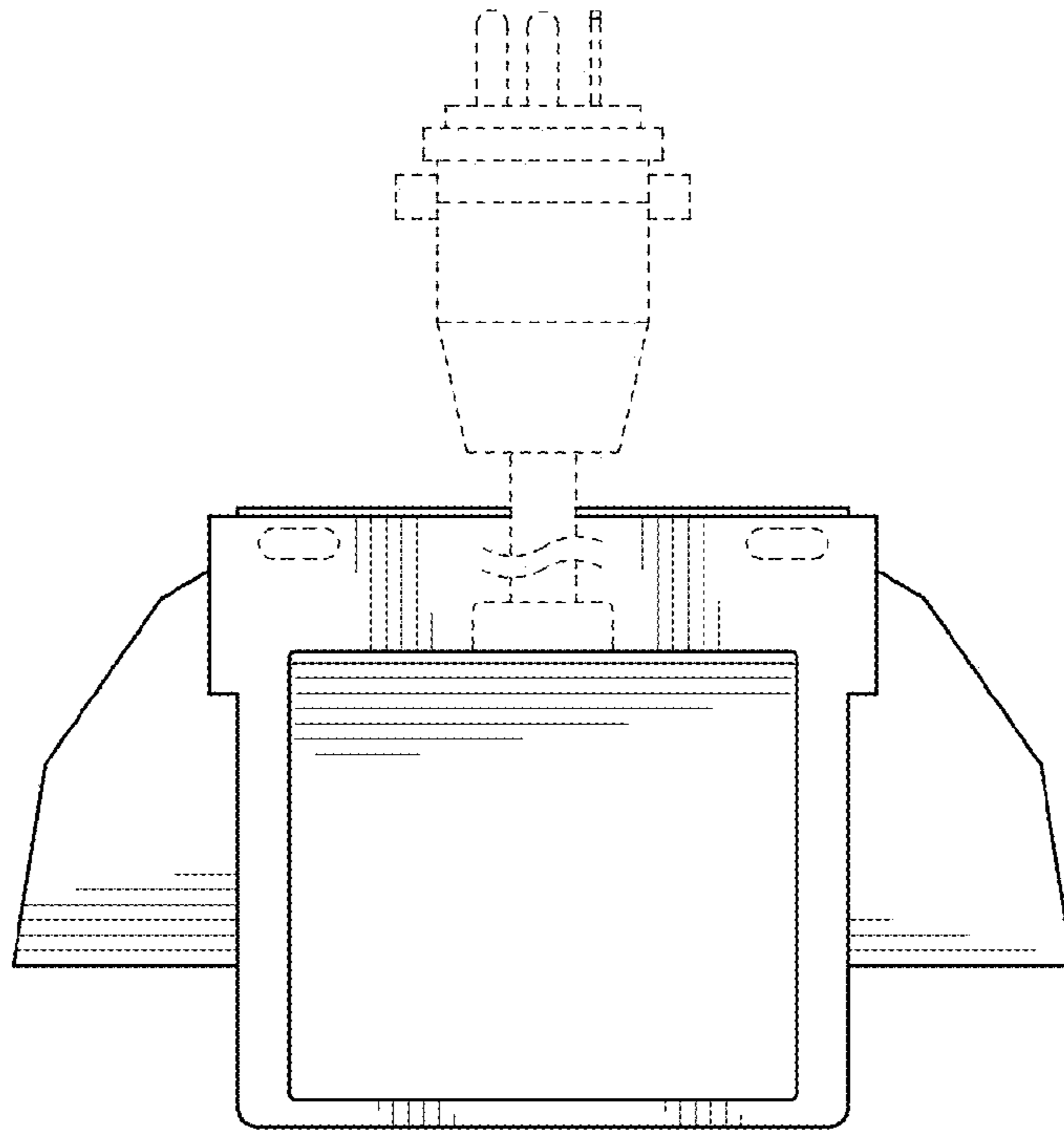


FIG. 5

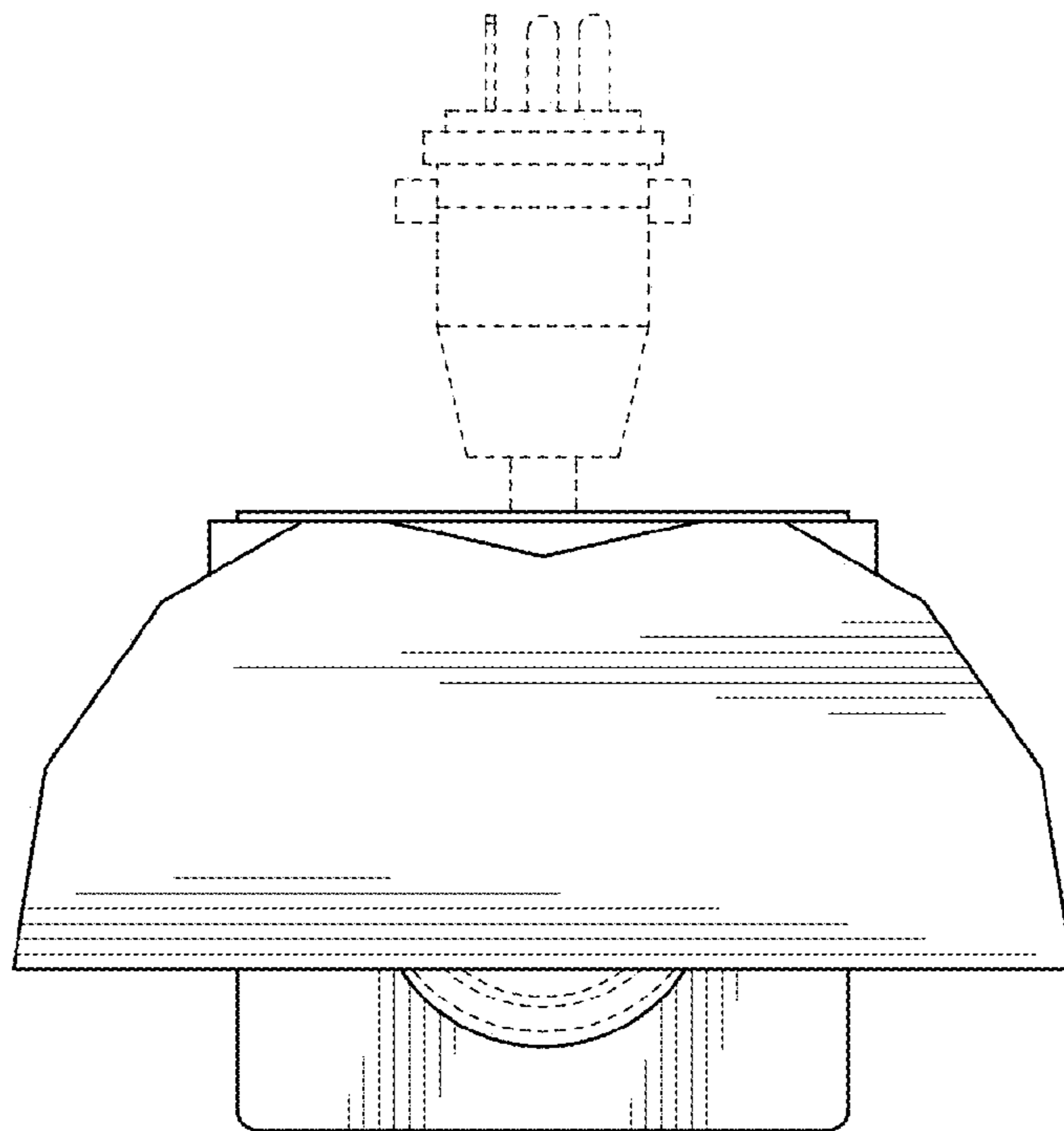


FIG. 6

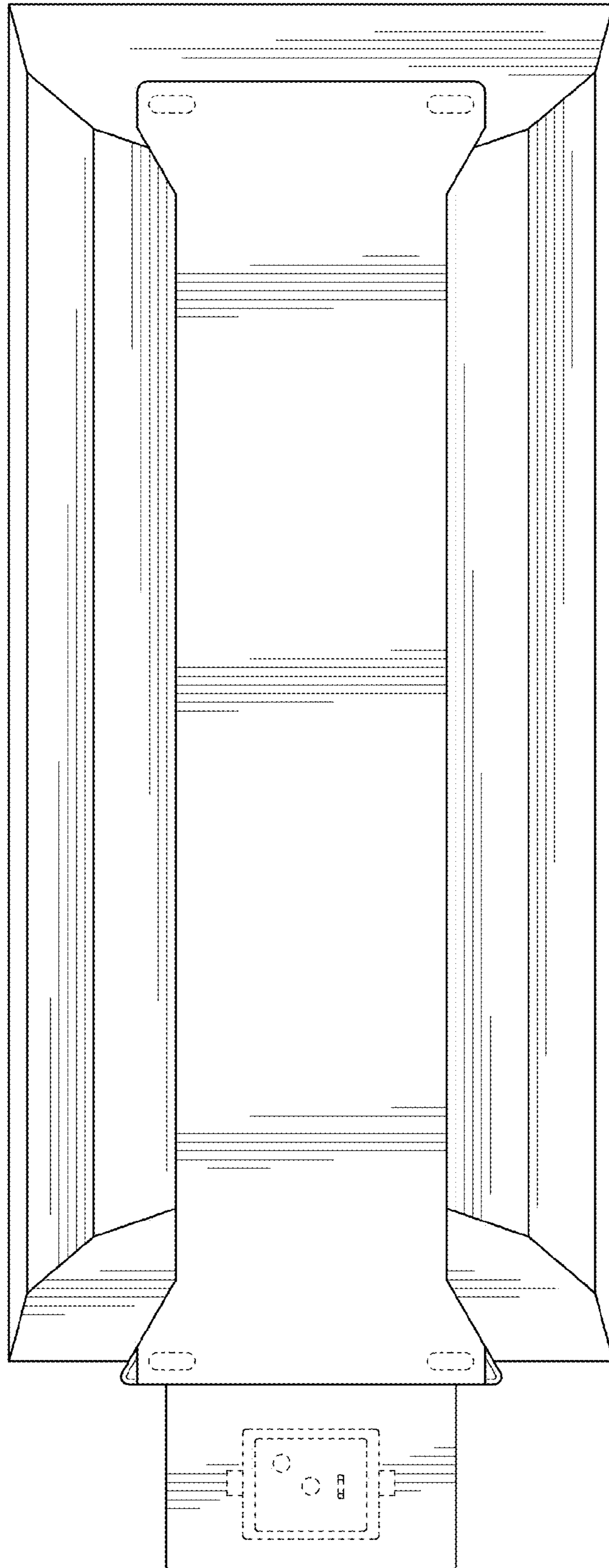


FIG. 7

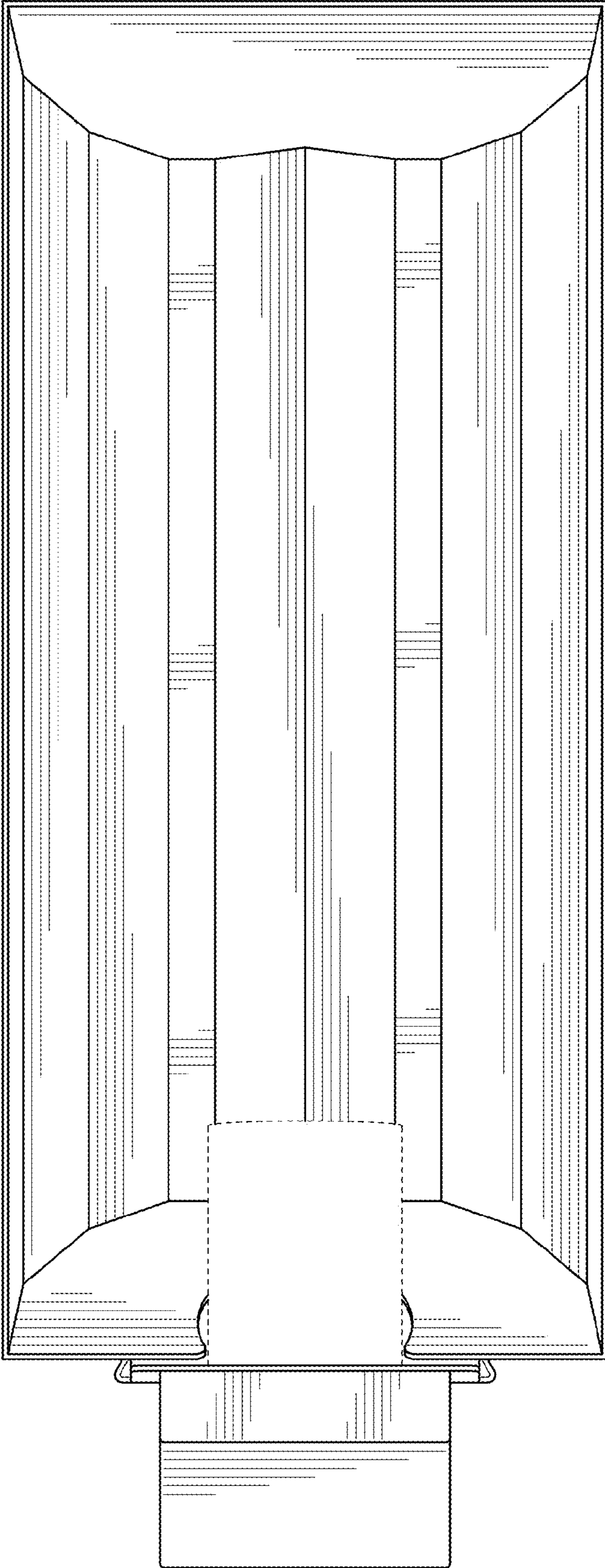


FIG. 8