



US00D751243S

(12) **United States Design Patent**
Seehof et al.

(10) **Patent No.:** **US D751,243 S**
(45) **Date of Patent:** **** Mar. 8, 2016**

- (54) **DUAL LIT GRAB RAIL**
- (71) Applicant: **Hansen International, Inc.**, Lexington, SC (US)
- (72) Inventors: **John J. Seehof**, Blythewood, SC (US);
Sean T. Burns, Lexington, SC (US);
Jeffery W. Berry, Brevard, NC (US)
- (73) Assignee: **Hansen International, Inc.**, Lexington, SC (US)
- (**) Term: **14 Years**

D361,153 S *	8/1995	Fernandes	D26/138
D389,460 S *	1/1998	Wei-Hong	D26/140
D395,725 S *	6/1998	West	D26/67
5,779,228 A	7/1998	Hansen		
D446,877 S *	8/2001	Lester	D26/72
D459,516 S *	6/2002	Demers et al.	D26/75
D474,281 S	5/2003	Hansen		
D487,252 S *	3/2004	Schweitzer	D26/24
D505,744 S *	5/2005	Kan	D26/76
D536,110 S *	1/2007	Wright	D26/24
D550,885 S *	9/2007	Crosby	D26/76
D564,854 S *	3/2008	Thompson	D8/300
D603,079 S *	10/2009	Toot et al.	D26/76
D617,488 S *	6/2010	Cho	D26/76

(Continued)

- (21) Appl. No.: **29/507,838**
- (22) Filed: **Oct. 31, 2014**
- (51) **LOC (10) Cl.** **26-06**
- (52) **U.S. Cl.**
USPC **D26/118**; D25/41.1
- (58) **Field of Classification Search**
USPC D26/25-26, 28, 51, 55-57, 59-64, 66,
D26/72-91, 93, 113, 118-120, 122, 138,
D26/140-142; 362/145-148, 150-153,
362/153.1, 217.01, 217.02, 217.05-217.07,
362/217.1, 217.15, 218, 223, 241, 249,
362/249.02, 296.07, 296.08, 294, 299,
362/311.02, 362, 373, 600, 608, 609, 640,
362/641; D11/142, 143, 144, 155; D8/300,
D8/303; D21/673; D32/31, 32; D25/38.1,
D25/41.1, 43; D6/522-524
CPC F21V 15/01; F21V 15/013; F21V 21/02;
F21V 21/04; F21V 7/0008
See application file for complete search history.

Primary Examiner — Cynthia Ramirez
Assistant Examiner — Llorellys Martinez-Rivera
(74) *Attorney, Agent, or Firm* — Thomas, Karceski & Karmilovich, P.C.

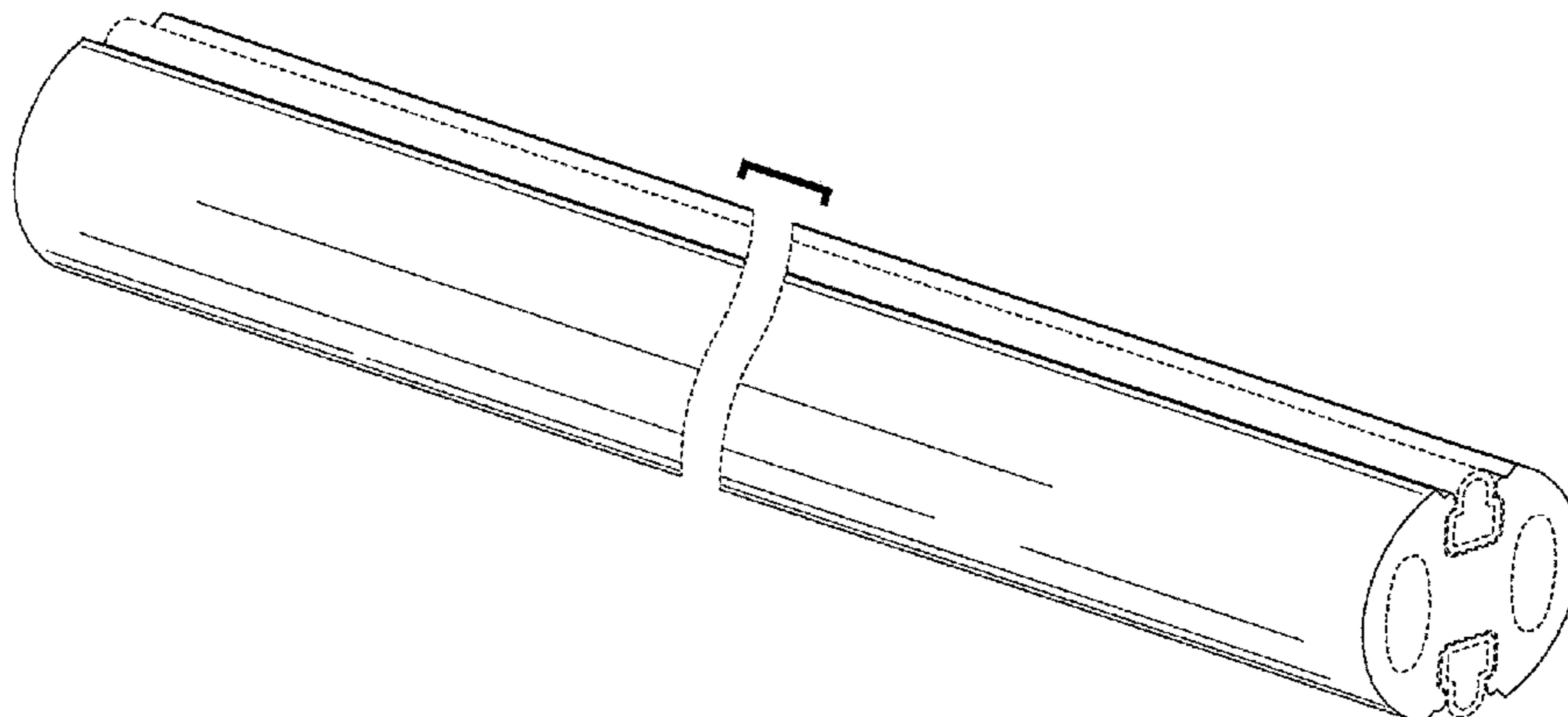
(57) **CLAIM**
The ornamental design for a dual lit grab rail, as shown and described.

DESCRIPTION

FIG. 1 is a perspective view of a dual lit grab rail showing our new design;
FIG. 2 is a right side view thereof;
FIG. 3 is a left side view thereof;
FIG. 4 is a top plan view thereof;
FIG. 5 is a bottom plan view thereof;
FIG. 6 is an end view thereof;
FIG. 7 is an opposite end view thereof; and,
FIG. 8 is a perspective view of the dual lit grab rail, in an environment of use.
The broken lines shown in FIGS. 1-8 illustrate portions of the dual lit grab rail which do not form part of the claimed design. The dual lit grab rail is shown with a symbolic break in its length. The appearance of any portion of the article between the break lines forms no portion of the claimed design.

1 Claim, 5 Drawing Sheets

- (56) **References Cited**
U.S. PATENT DOCUMENTS
D137,334 S * 2/1944 Siemers D26/119
D161,700 S * 1/1951 Marker D26/76
4,895,332 A 1/1990 Hansen et al.
D353,467 S * 12/1994 Raynes D25/38.1



(56)

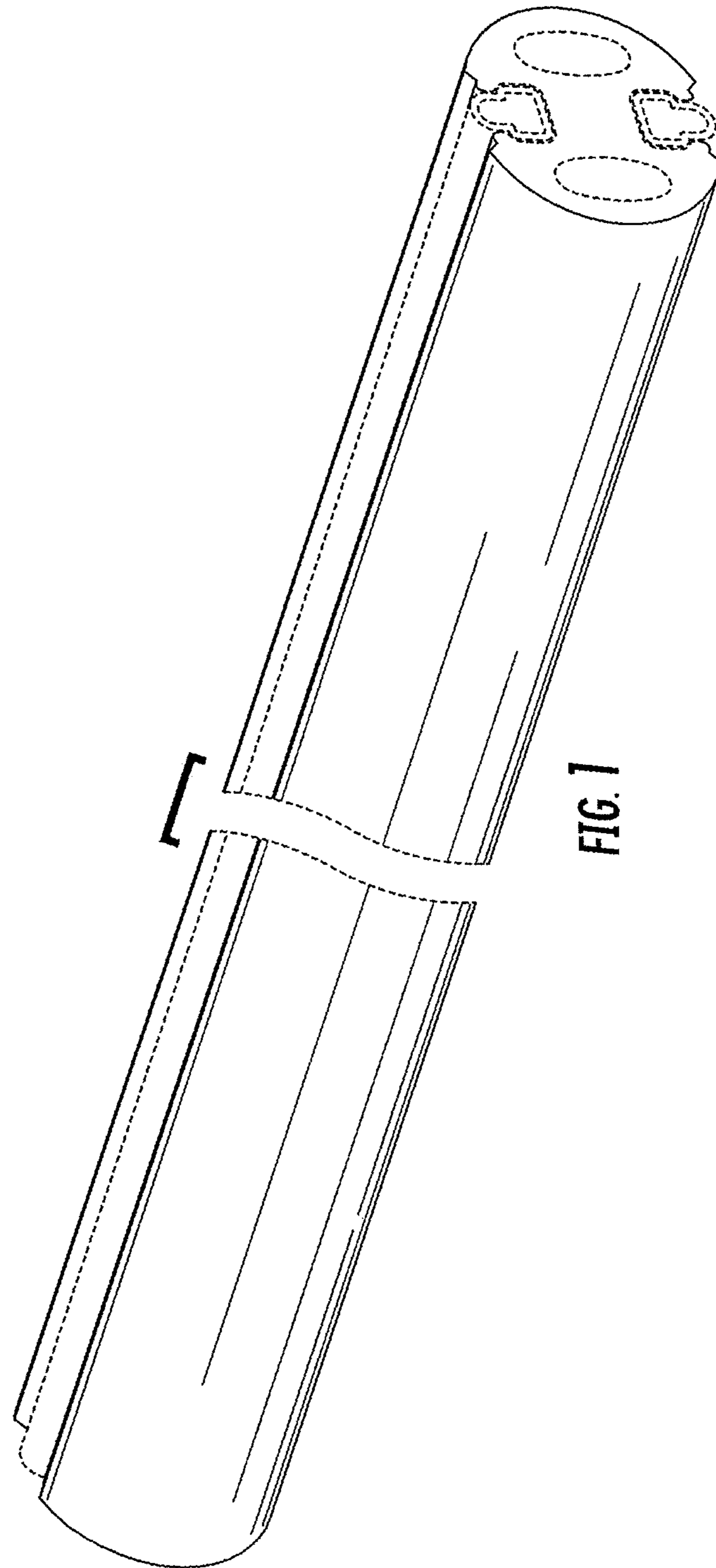
References Cited

U.S. PATENT DOCUMENTS

D621,955 S 8/2010 Seehof
 D630,768 S 1/2011 Witiak
 D634,876 S * 3/2011 McGrath et al. D26/79
 D642,326 S * 7/2011 Leadford et al. D26/138
 D647,213 S 10/2011 Seehof
 D647,214 S 10/2011 Seehof
 D647,215 S 10/2011 Seehof
 D647,629 S 10/2011 Seehof
 D647,630 S 10/2011 Seehof

D647,631 S 10/2011 Seehof
 D648,039 S 11/2011 Seehof
 D679,439 S * 4/2013 Lai D26/75
 D681,869 S * 5/2013 Goelz et al. D26/138
 D681,873 S * 5/2013 Hoch et al. D26/141
 D683,471 S * 5/2013 Mukith et al. D25/38.1
 8,567,986 B2 * 10/2013 Szprengiel et al. 362/217.01
 2010/0091494 A1 * 4/2010 Pearson et al. 362/249.02
 2010/0220476 A1 * 9/2010 Kuo et al. 362/249.02
 2011/0038144 A1 * 2/2011 Chang 362/218
 2011/0310604 A1 * 12/2011 Shimizu et al. 362/249.02
 2013/0182428 A1 7/2013 Seehof et al.

* cited by examiner



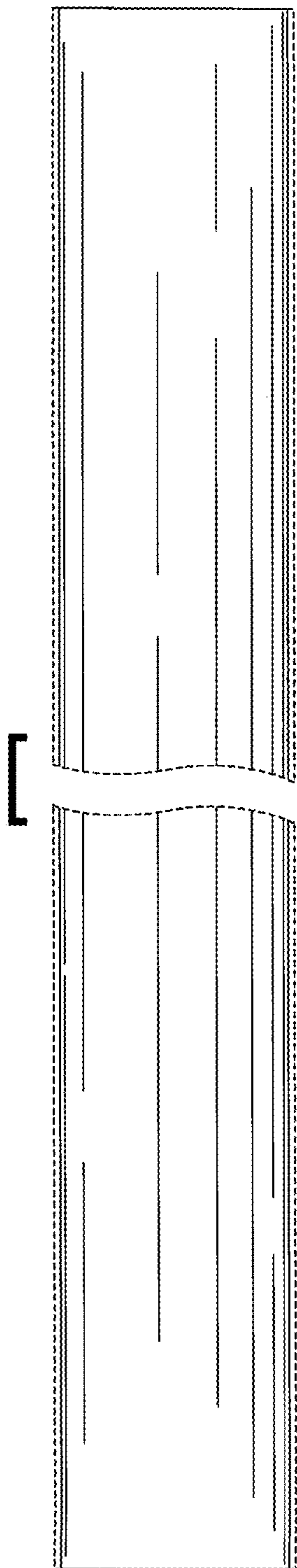


FIG. 2

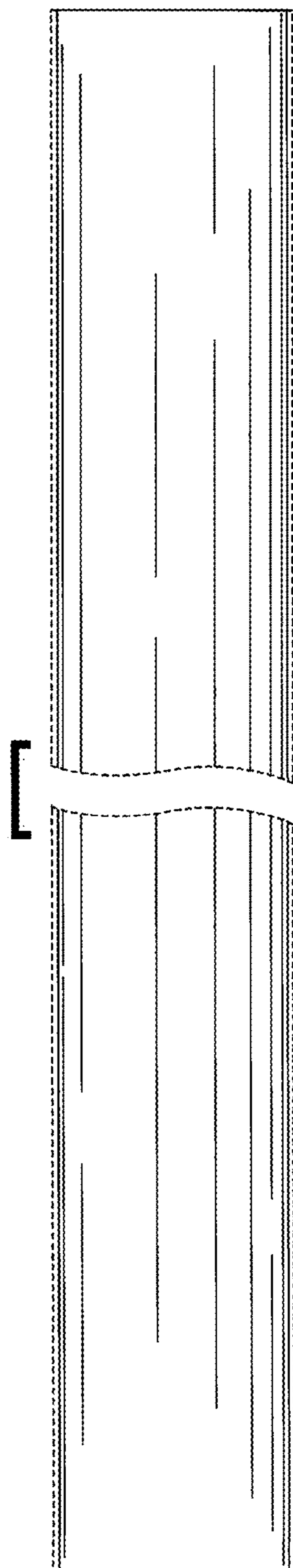


FIG. 3

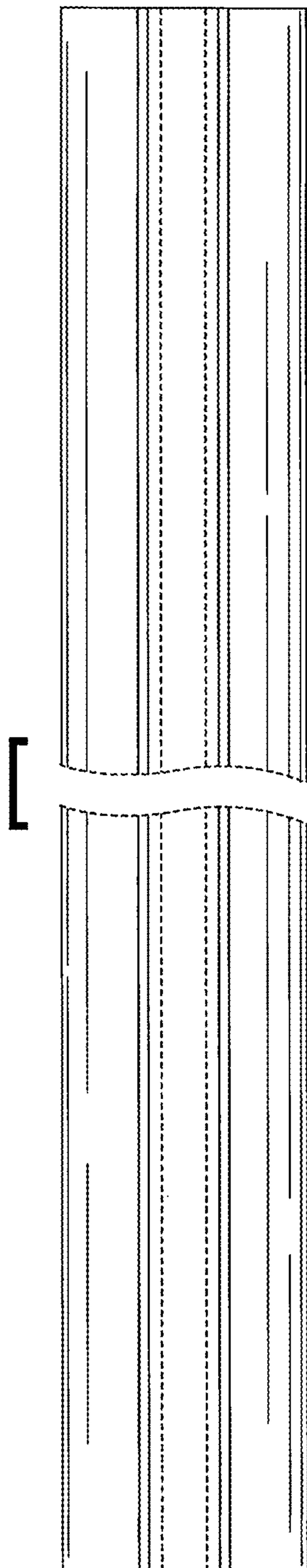


FIG. 4

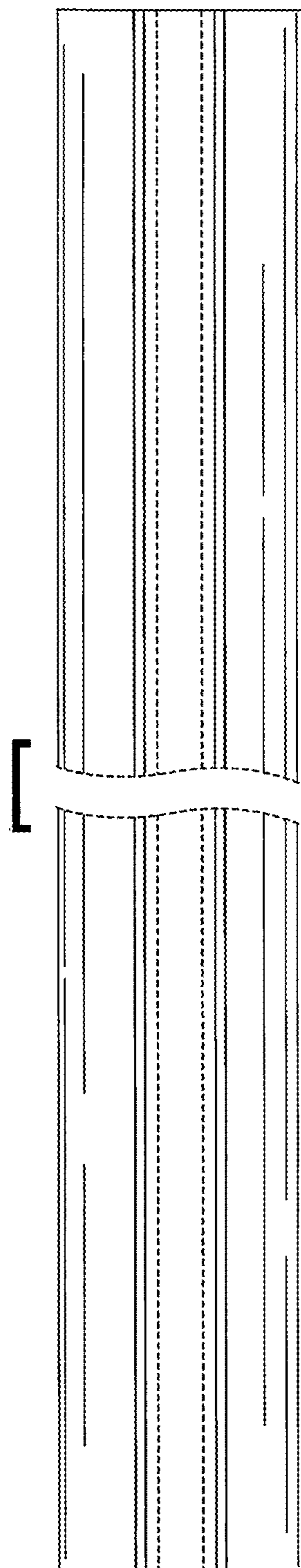


FIG. 5

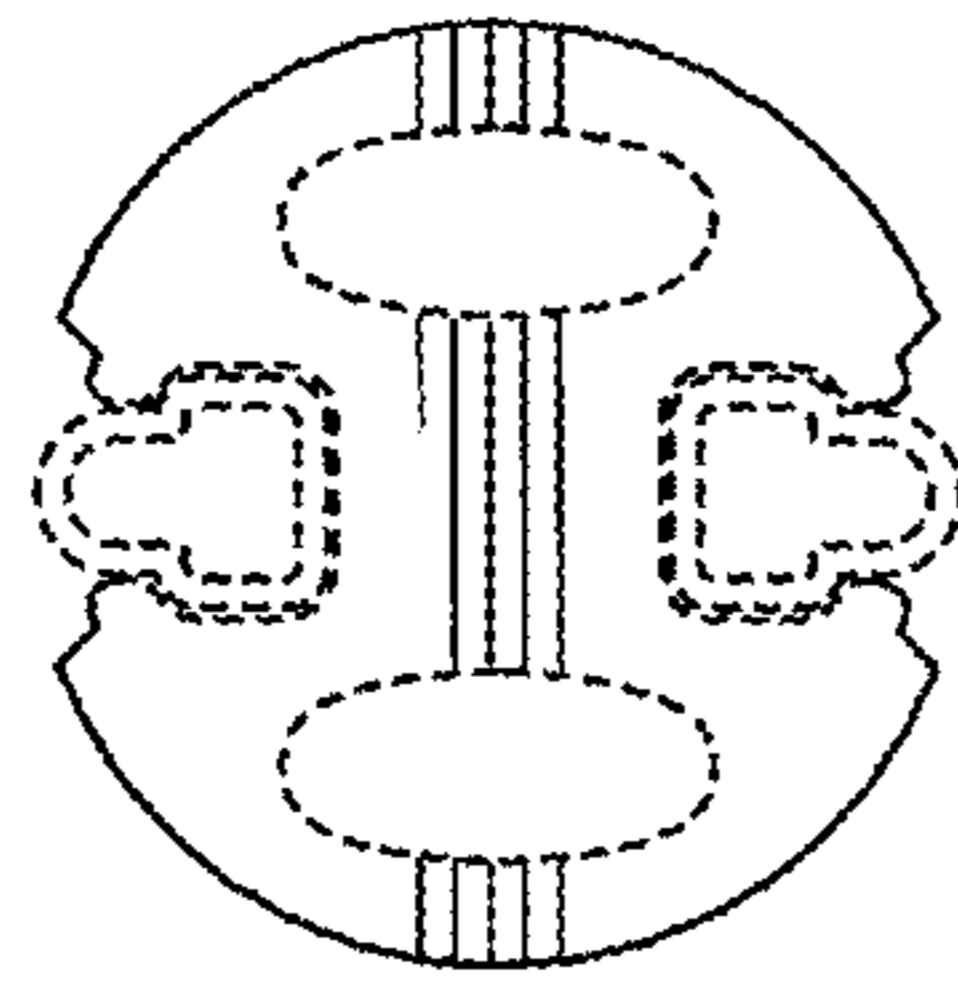


FIG. 7

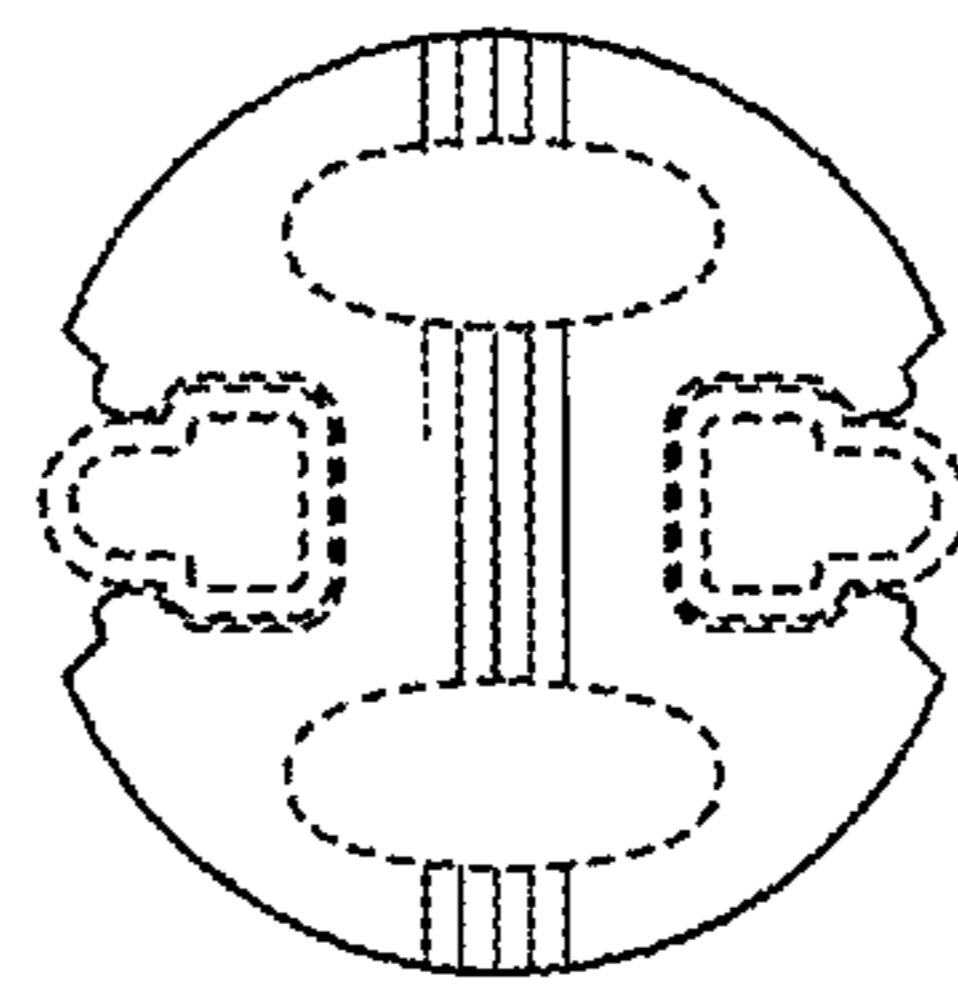


FIG. 6

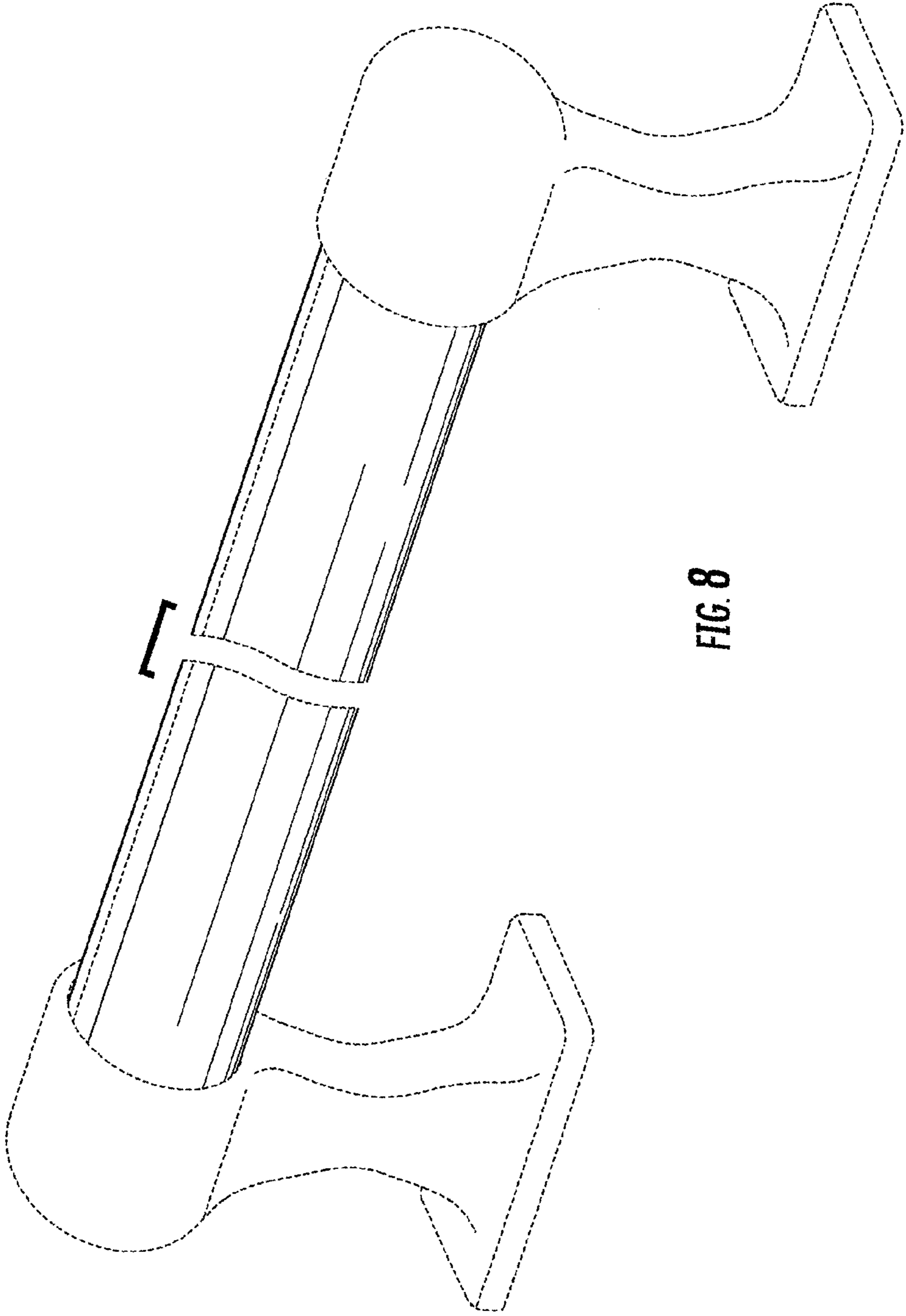


FIG. 8