



US00D751241S

(12) **United States Design Patent**  
**Aldape**

(10) **Patent No.:** **US D751,241 S**  
(45) **Date of Patent:** **\*\* Mar. 8, 2016**

(54) **LAMP**

(71) Applicant: **Electronic Controls Company**, Boise, ID (US)

(72) Inventor: **John Luis Aldape**, Boise, ID (US)

(73) Assignee: **Electronic Controls Company**, Boise, ID (US)

(\*\*) Term: **14 Years**

(21) Appl. No.: **29/478,625**

(22) Filed: **Jan. 7, 2014**

(51) **LOC (10) Cl.** ..... **26-99**

(52) **U.S. Cl.**  
USPC ..... **D26/118**

(58) **Field of Classification Search**  
USPC ..... D26/1-4, 24-26, 28-39, 60-66, 71, 72, D26/74-76, 78-83, 85, 86, 88, 113, D26/118-127, 138-140, 142, 152; 362/23.07, 23.09, 23.16, 216, 217.01, 362/217.02, 217.05, 217.08, 217.09, 218, 362/249.02, 260, 311.02, 362, 364-366, 362/368-373, 458, 555, 612, 614, 640-653, 362/800; D9/424, 427, 430, 432, 565-567; D14/137, 155, 188; D16/200, 206  
CPC ..... F21V 29/70; F21V 29/507; F21V 29/74; F21V 3/02  
See application file for complete search history.

(56) **References Cited**

**U.S. PATENT DOCUMENTS**

D142,634 S \* 10/1945 Erger ..... D26/60  
D509,110 S \* 9/2005 Vovan ..... D7/602

6,957,896 B2 \* 10/2005 Burgess ..... 362/147  
D511,274 S \* 11/2005 Vovan ..... D7/602  
D563,381 S \* 3/2008 Carrier et al. .... D14/188  
7,537,366 B2 \* 5/2009 Inoue et al. .... 362/547  
7,637,642 B2 \* 12/2009 Kinnune et al. .... 362/365  
D703,528 S \* 4/2014 Short et al. .... D9/427  
D726,141 S \* 4/2015 Wilson ..... D14/188  
2014/0218942 A1 \* 8/2014 Song et al. .... F21V 29/00

**FOREIGN PATENT DOCUMENTS**

EM 002295279-0001 8/2013

\* cited by examiner

*Primary Examiner* — Cynthia Ramirez

*Assistant Examiner* — Llorellys Martinez-Rivera

(74) *Attorney, Agent, or Firm* — Stoel Rives LLP

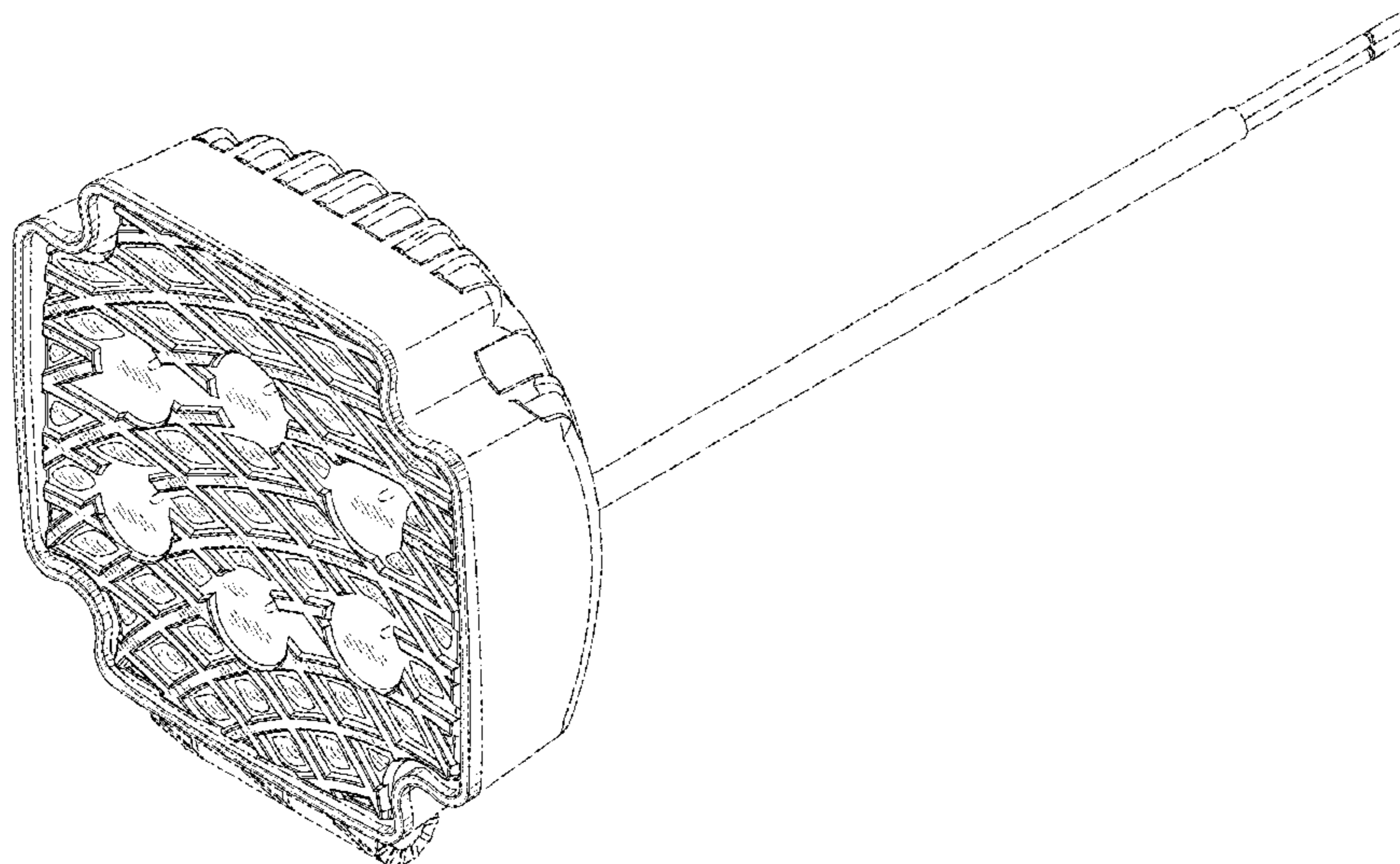
(57) **CLAIM**

The ornamental design for a lamp, as shown and described.

**DESCRIPTION**

FIG. 1 is a top, front, right side perspective view of a lamp showing my new design;  
FIG. 2 is a front elevational view thereof;  
FIG. 3 is a right and rear perspective view thereof;  
FIG. 4 is a rear elevational view thereof;  
FIG. 5 is a right side elevational view thereof, wherein the left side is a mirror image of the right side;  
FIG. 6 is a top plan view thereof; and,  
FIG. 7 is a bottom plan view thereof.  
The broken lines in FIGS. 1-7 illustrate portions of the lamp that form no part of the claimed design. The boundary lines, shown in alternating long and short broken line segments, form no part of the claimed design.

**1 Claim, 5 Drawing Sheets**



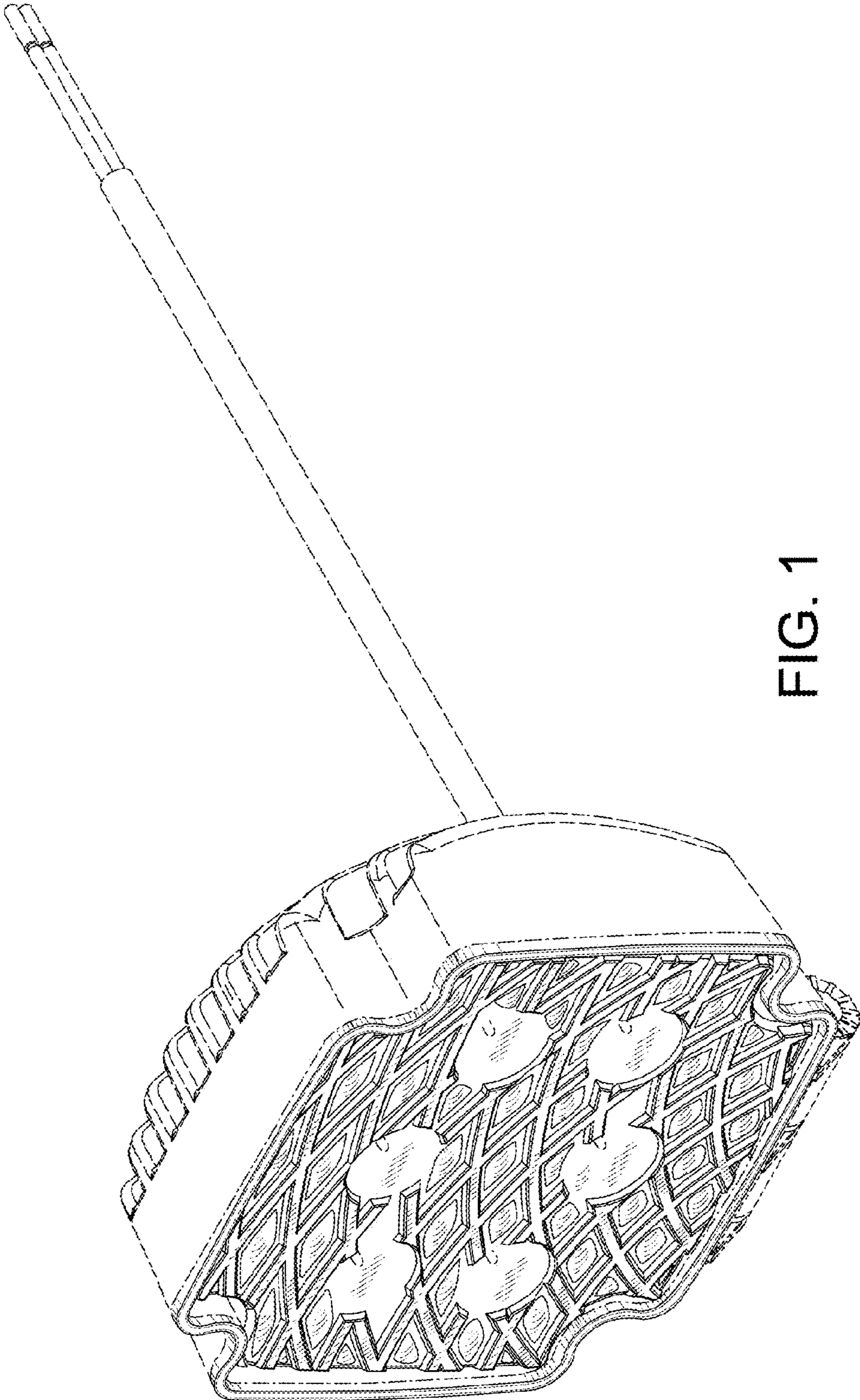


FIG. 1

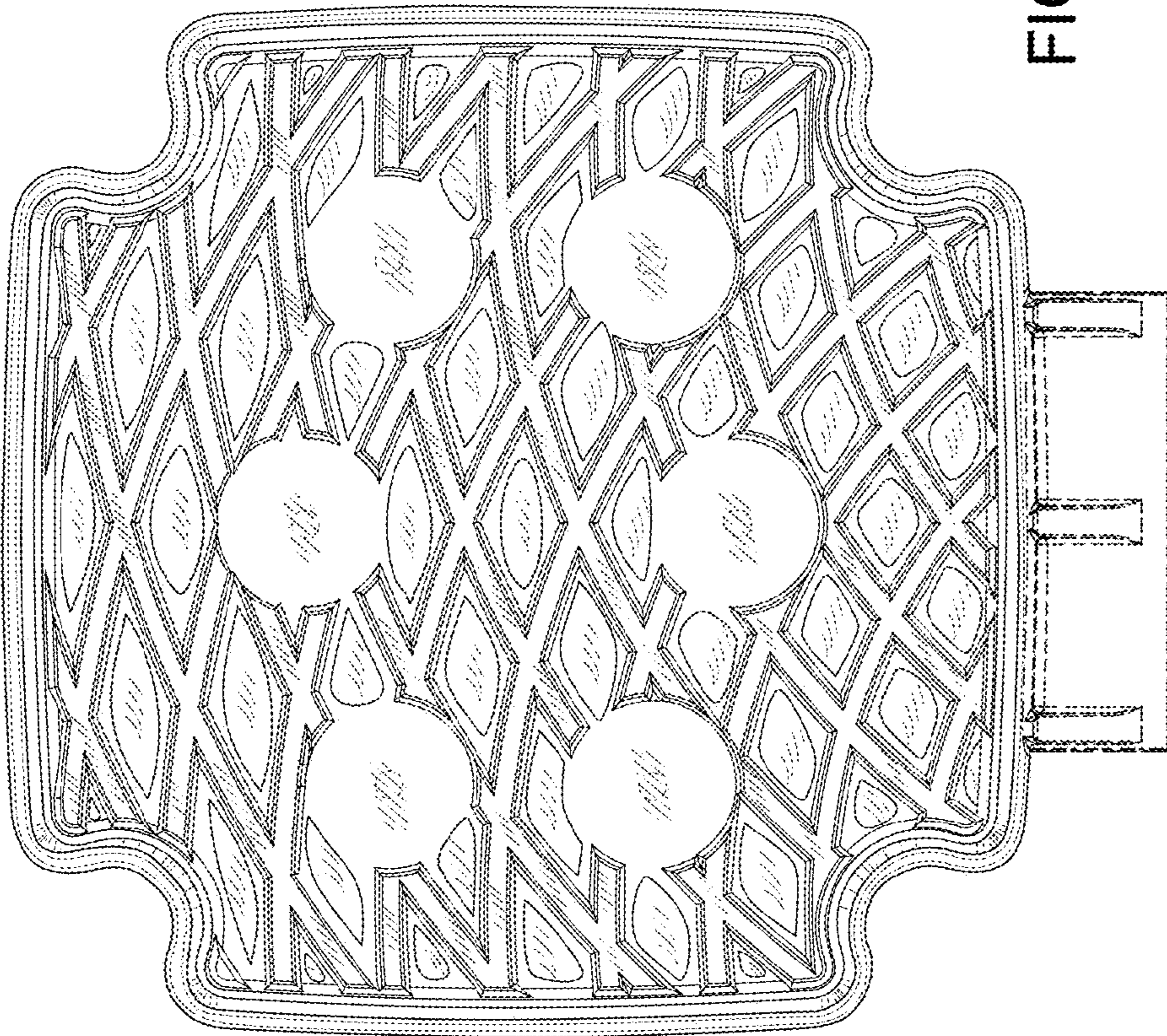


FIG. 2

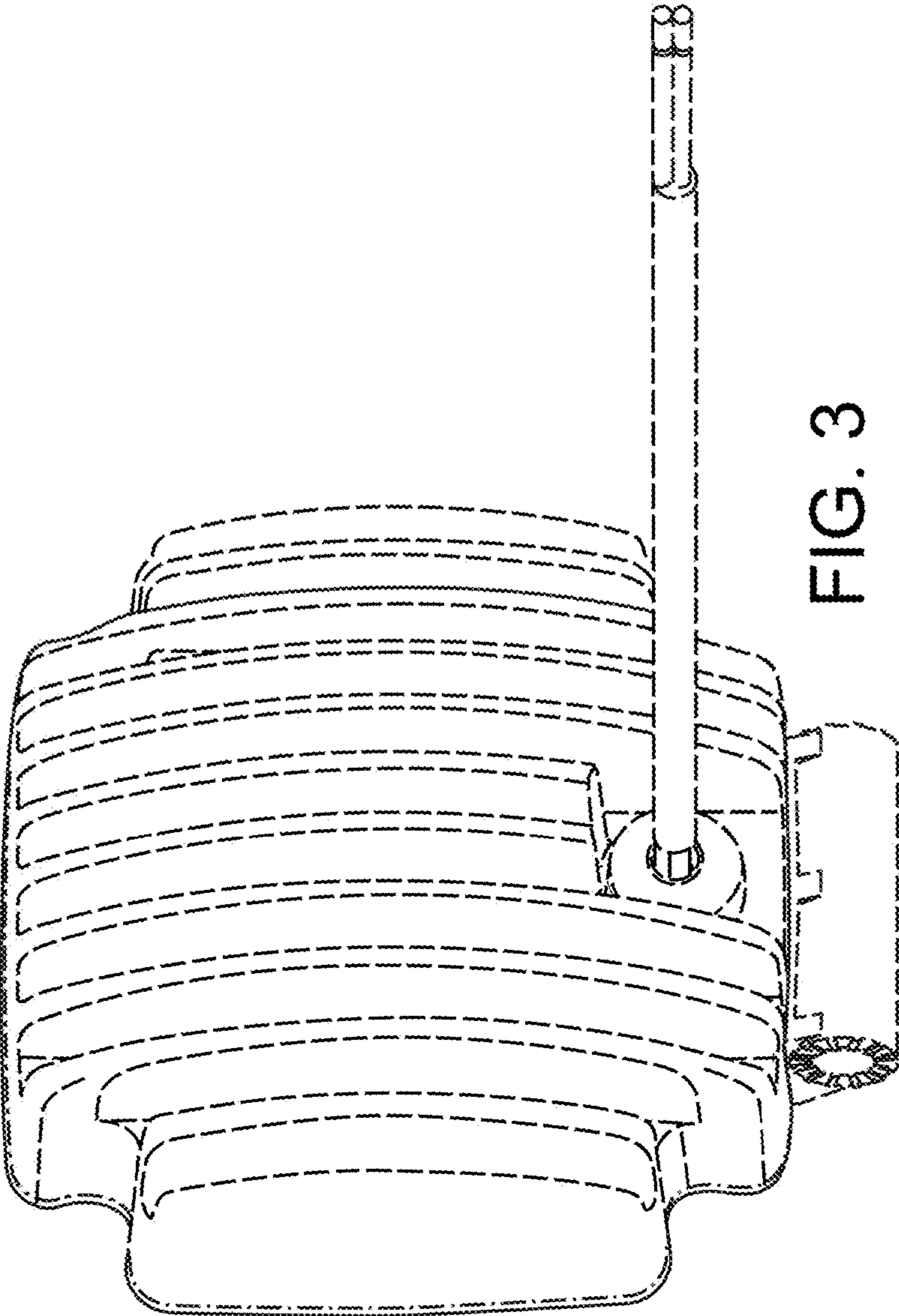


FIG. 3

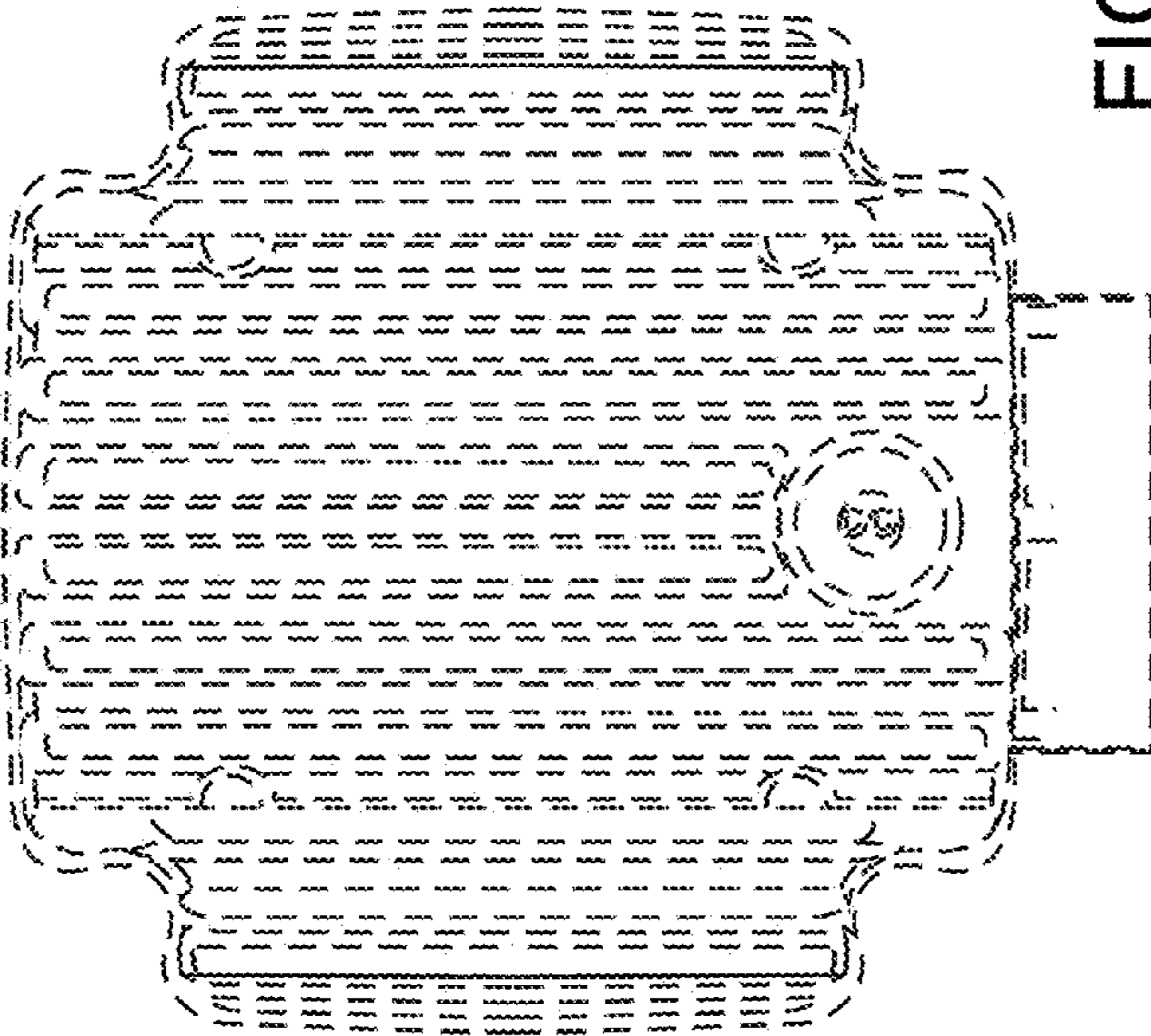


FIG. 4

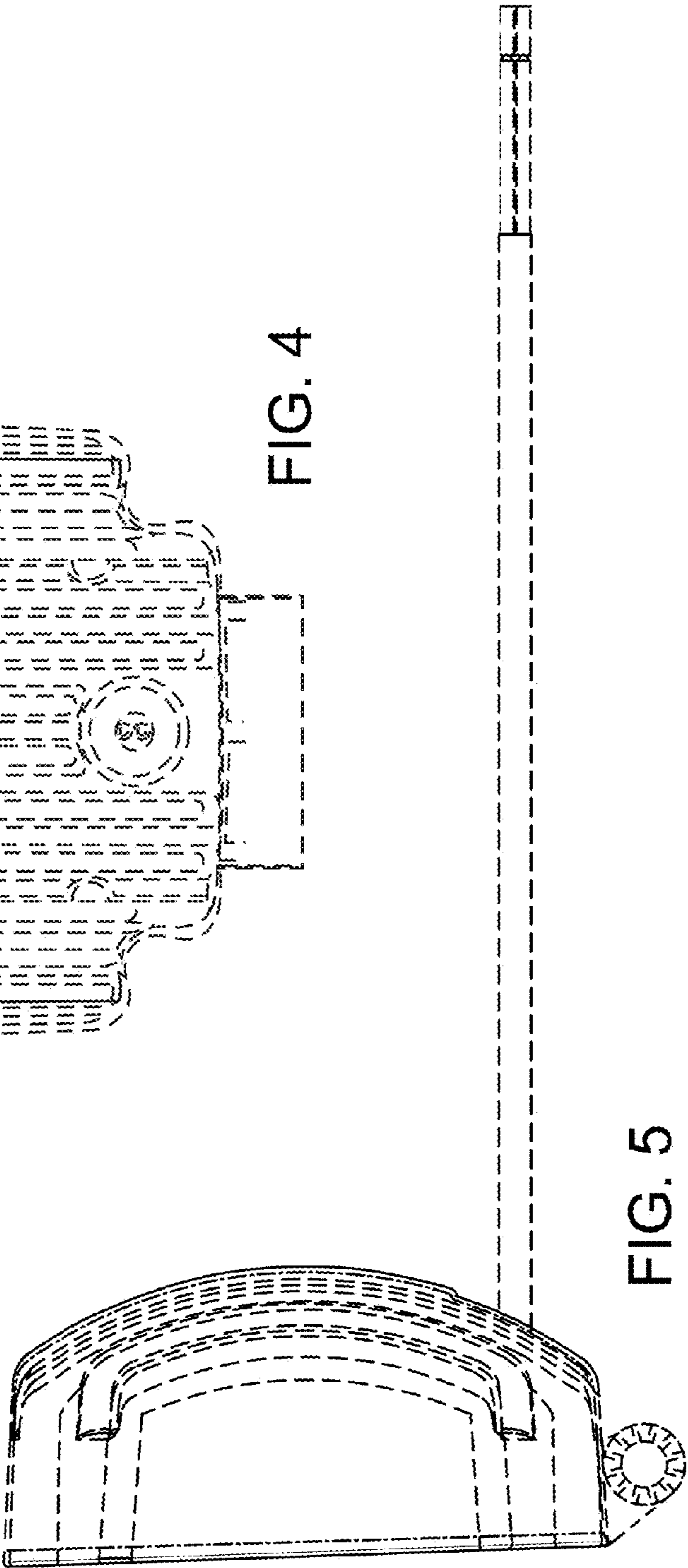


FIG. 5

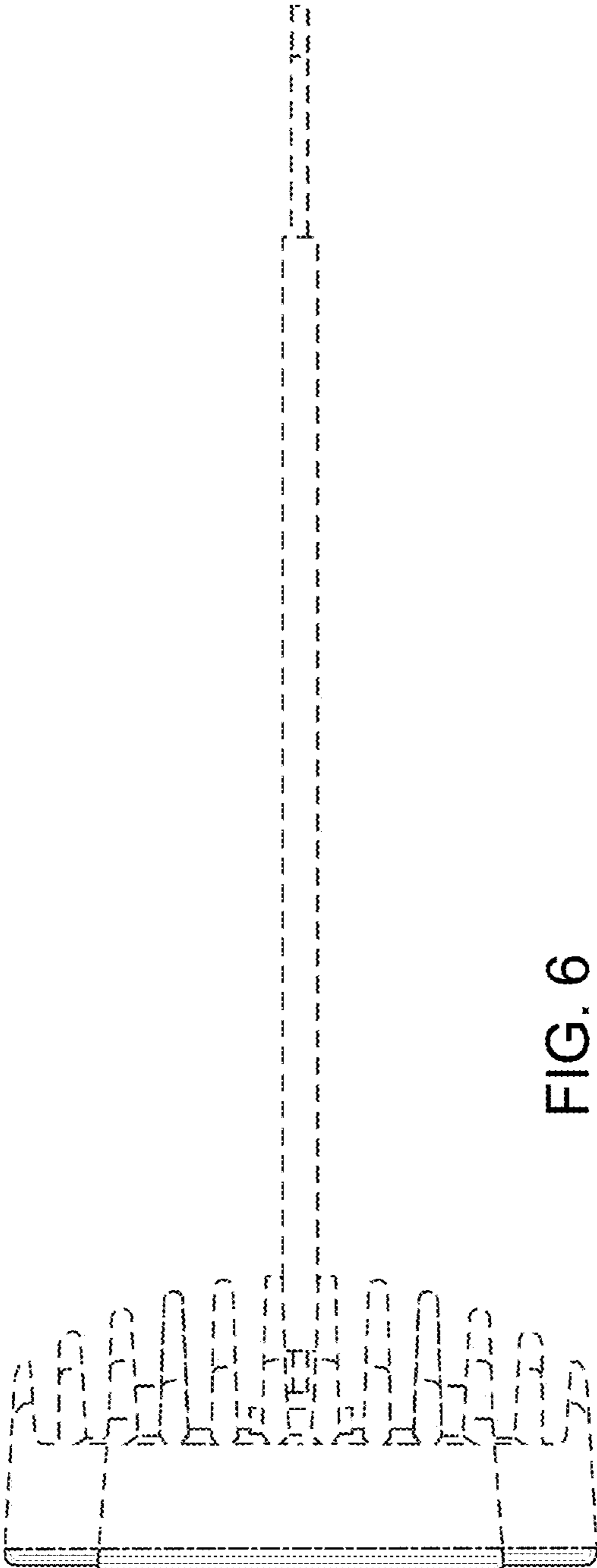


FIG. 6

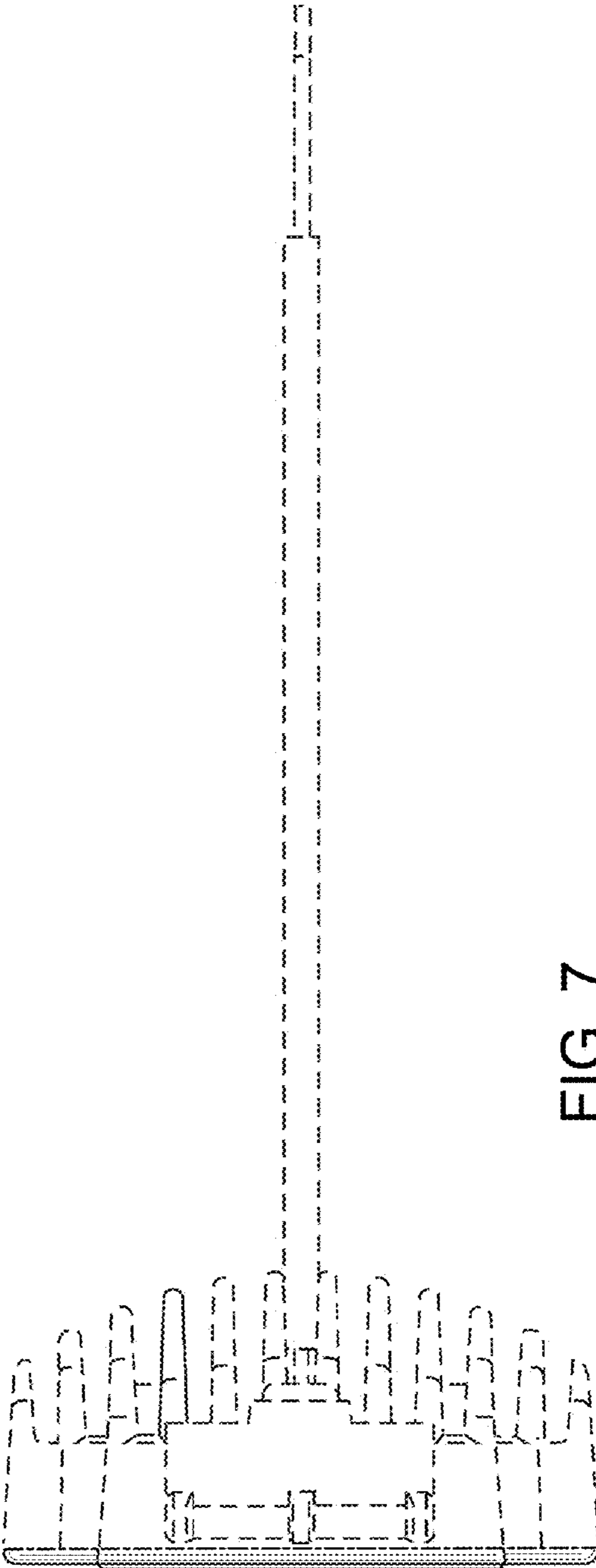


FIG. 7