



US00D751238S

(12) **United States Design Patent**
Siuvatti

(10) **Patent No.:** **US D751,238 S**
(45) **Date of Patent:** **** Mar. 8, 2016**

(54) **LIGHTING COMPONENT**

- (71) Applicant: **Ledil Oy**, Salo (FI)
- (72) Inventor: **Arsi Siuvatti**, Salo (FI)
- (73) Assignee: **Ledil Oy**, Salo (FI)
- (**) Term: **15 Years**
- (21) Appl. No.: **29/528,888**
- (22) Filed: **Jun. 2, 2015**

Related U.S. Application Data

- (62) Division of application No. 29/465,674, filed on Aug. 30, 2013, now Pat. No. Des. 740,485.

Foreign Application Priority Data

- May 16, 2013 (EM) 002238469
- (51) **LOC (10) Cl.** **26-99**
- (52) **U.S. Cl.**
USPC **D26/113**
- (58) **Field of Classification Search**
USPC D26/1-4, 24-26, 28, 34, 37-39, 43-45,
D26/50, 60, 61, 66-74, 85, 88, 89, 93, 94,
D26/104, 105, 108, 109, 113, 118-125, 138,
D26/142; 362/3, 4, 8, 145, 147, 150, 235,
362/249.01-249.05, 296.01, 296.05, 308,
362/317, 326, 327, 330, 331, 334, 335, 341,
362/347, 362, 364-366, 370-373,
362/640-644; D10/106.2, 111, 113.1,
D10/113.2, 114.1; D11/131, 133, 142-145,
D11/149, 152-155, 200, 215
CPC F21K 9/30; F21K 9/1355; H01L 27/14629
See application file for complete search history.

(56) **References Cited**

U.S. PATENT DOCUMENTS

D23,082 S *	2/1894	Jacobs	D26/121
D226,279 S *	2/1973	Eyerly	D11/143
D316,611 S *	4/1991	Spina	D26/113
D456,307 S *	4/2002	Fan	D11/152
D460,021 S *	7/2002	Fan	D11/152
D460,717 S *	7/2002	Fan	D11/152
D483,740 S *	12/2003	Yim	D14/216
D562,492 S *	2/2008	Chen	D26/85
D574,095 S *	7/2008	Hill	D26/26
D589,207 S *	3/2009	Fujiwara	D26/138
D601,295 S *	9/2009	Brown	D26/118
D621,089 S *	8/2010	Rashidi	D26/118
D636,118 S *	4/2011	Kim	D26/138
8,075,165 B2 *	12/2011	Jiang	F21V 5/04 362/249.02
D653,799 S *	2/2012	Baker	D26/138
8,500,299 B2 *	8/2013	Speidel	F21V 11/00 362/296.05
D707,876 S *	6/2014	Reed	D26/118
D730,555 S *	5/2015	Gebhard	D26/72
D740,485 S *	10/2015	Siuvatti	D26/118

* cited by examiner

Primary Examiner — Cynthia Ramirez

Assistant Examiner — Llorellys Martinez-Rivera

(74) *Attorney, Agent, or Firm* — McCormick, Paulding & Huber LLP

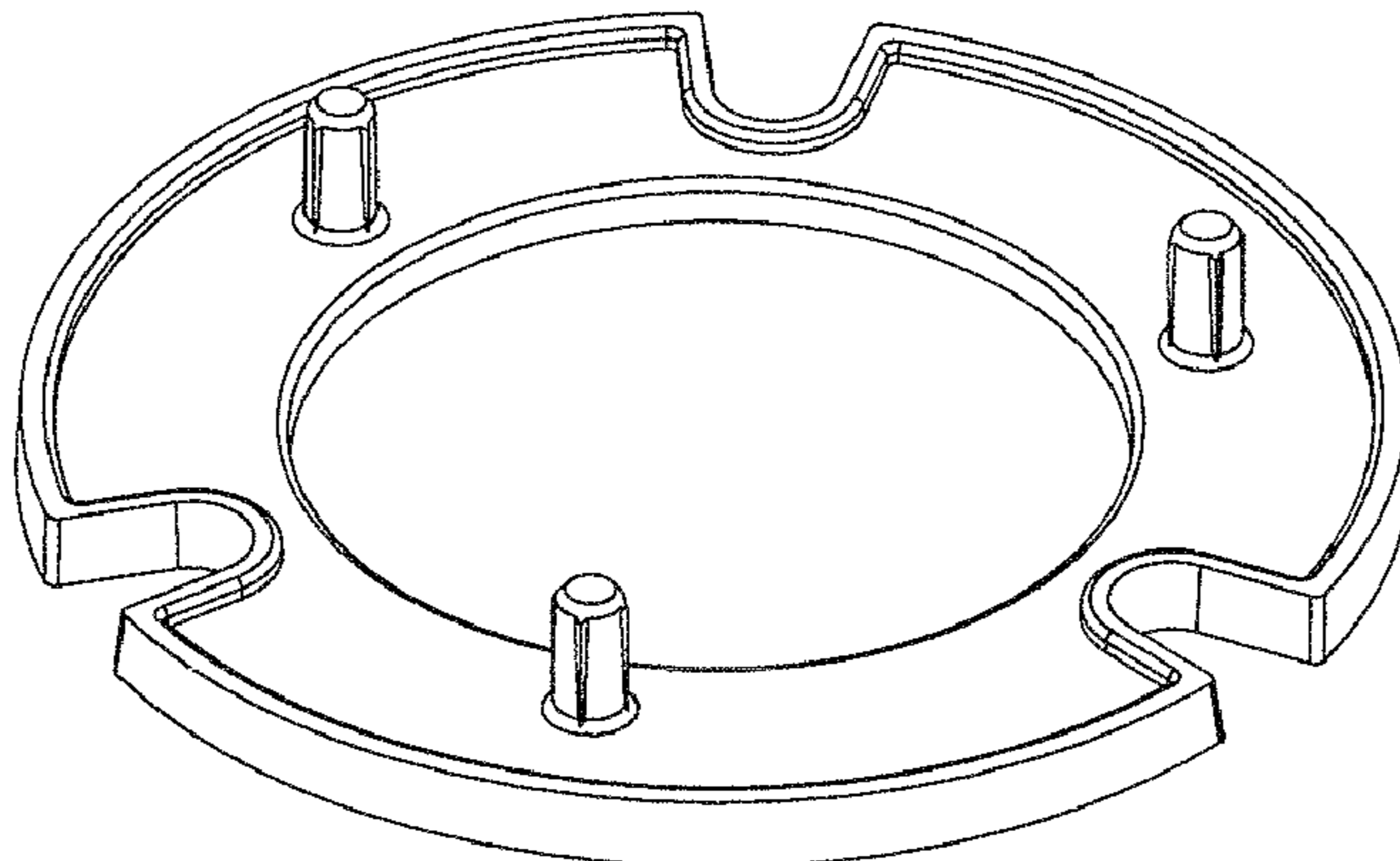
(57) **CLAIM**

The ornamental design for a lighting component, as shown.

DESCRIPTION

FIG. 1 is a front, top perspective view of a lighting component showing my new design;
 FIG. 2 is a top view thereof;
 FIG. 3 is a bottom view thereof;
 FIG. 4 is a front view thereof;
 FIG. 5 is a rear view thereof;
 FIG. 6 is a right side view thereof; and,
 FIG. 7 is a left side view thereof.

1 Claim, 2 Drawing Sheets



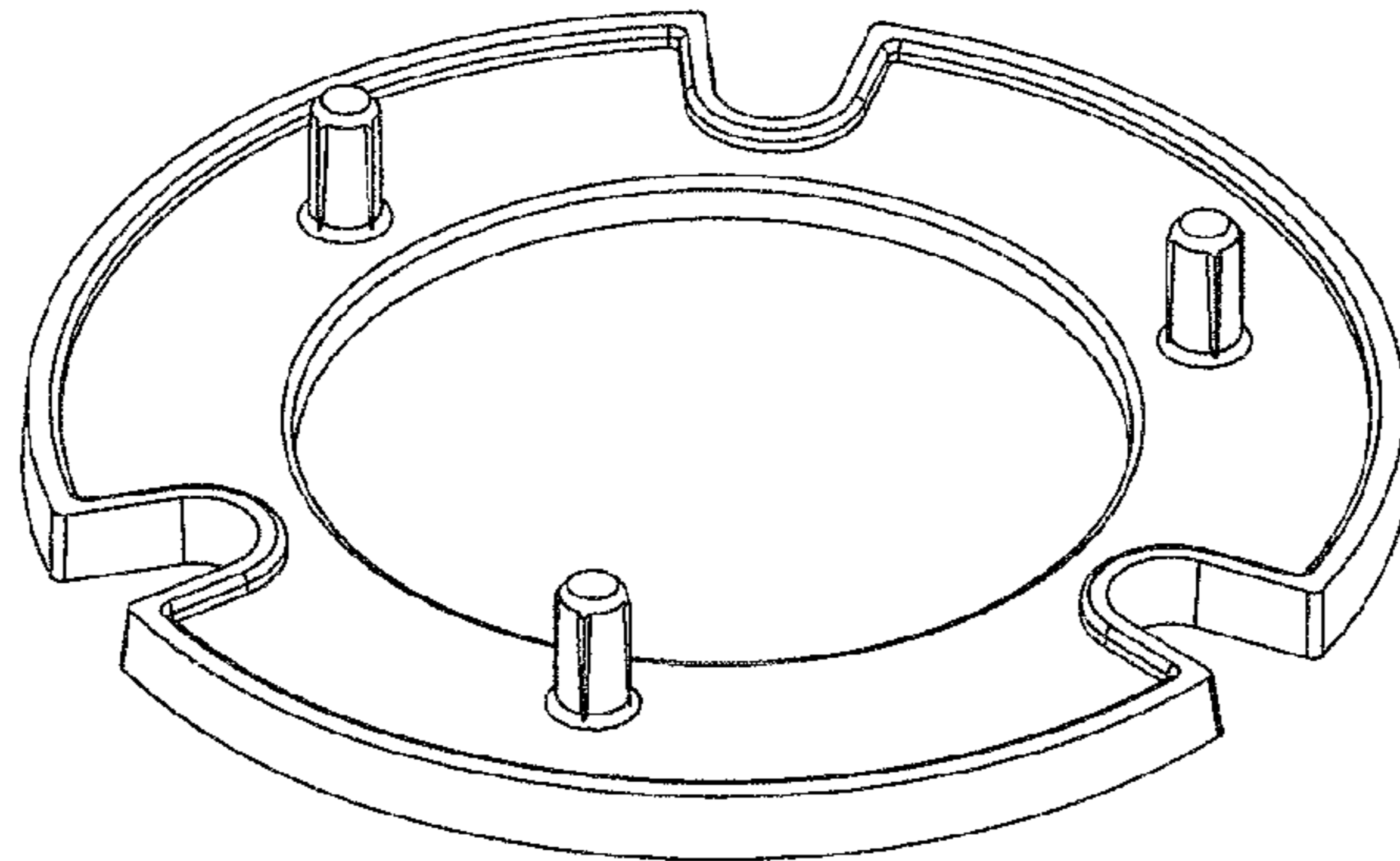


FIG. 1

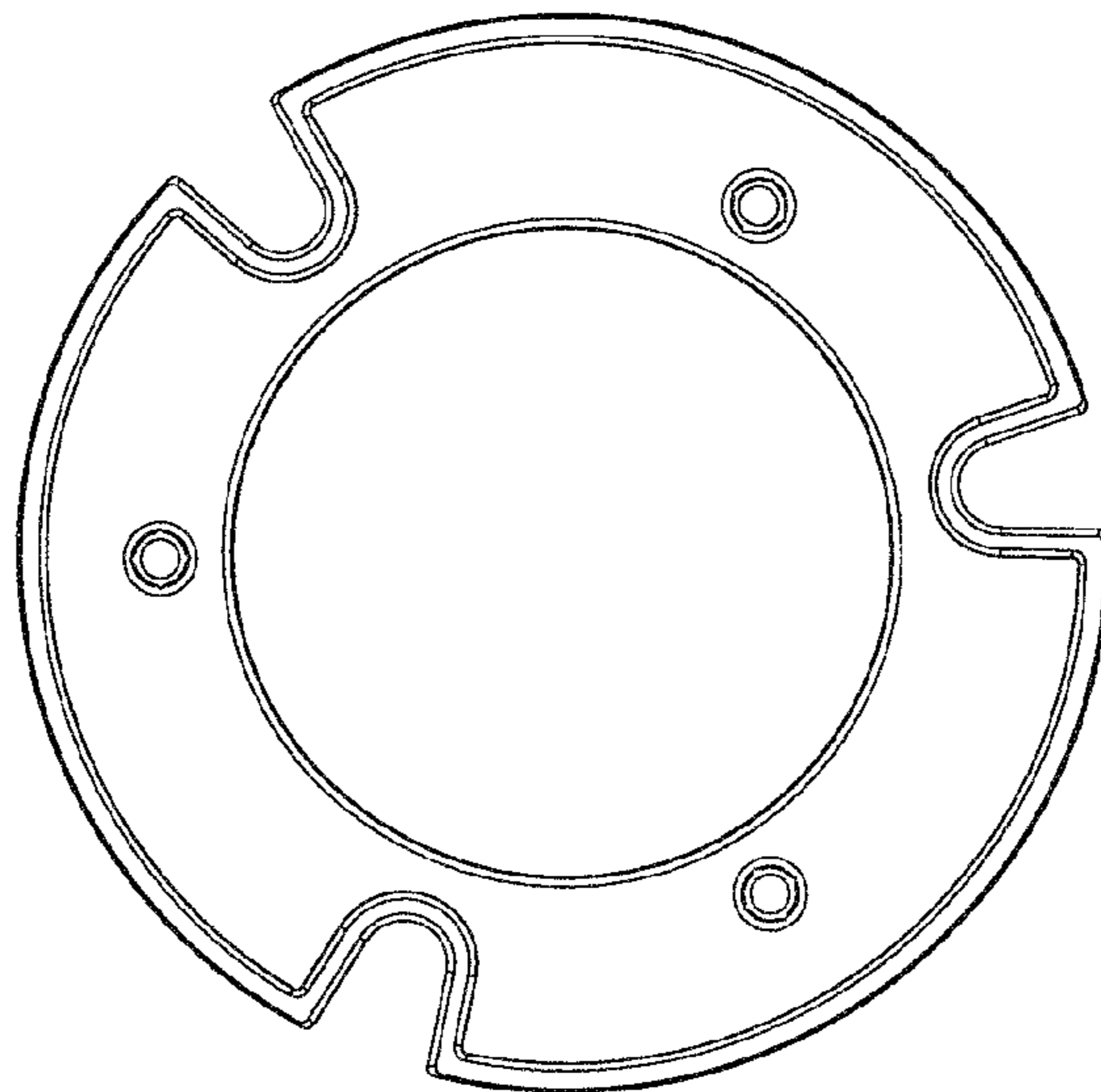


FIG. 2

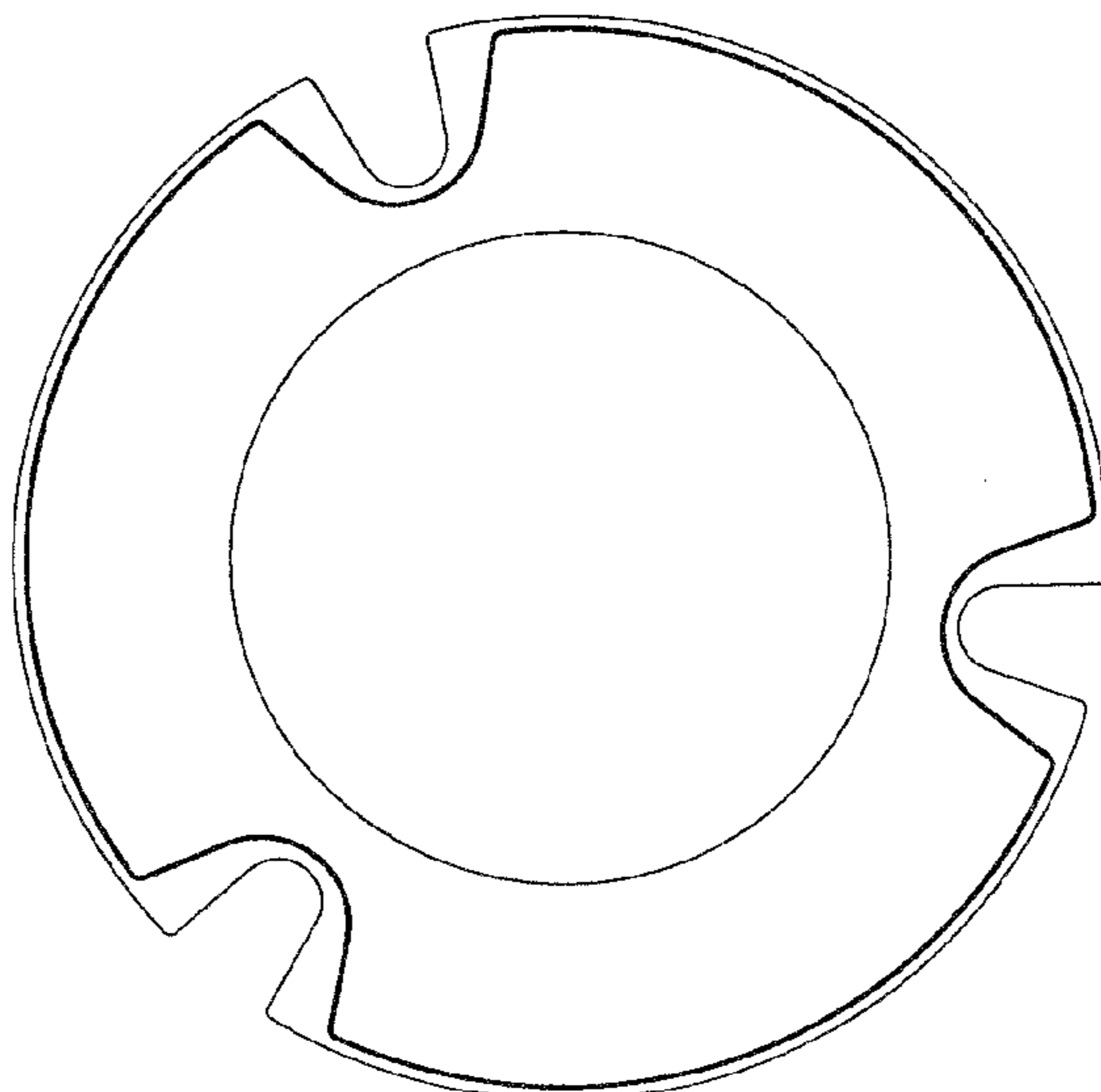


FIG. 3



FIG. 5

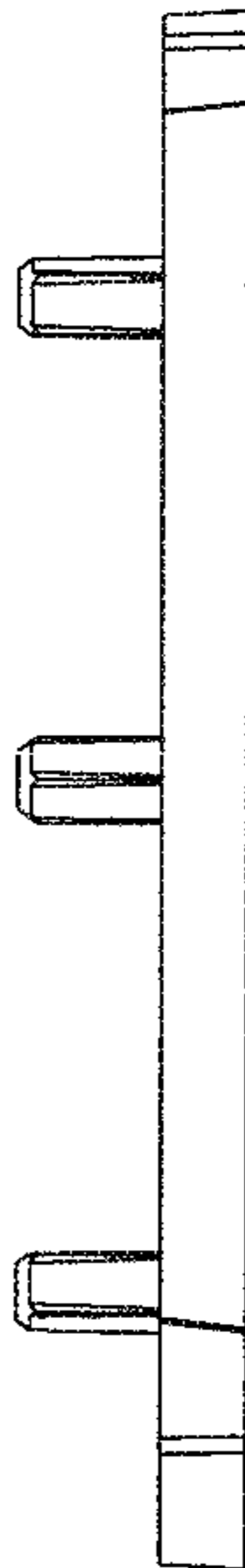


FIG. 7



FIG. 4

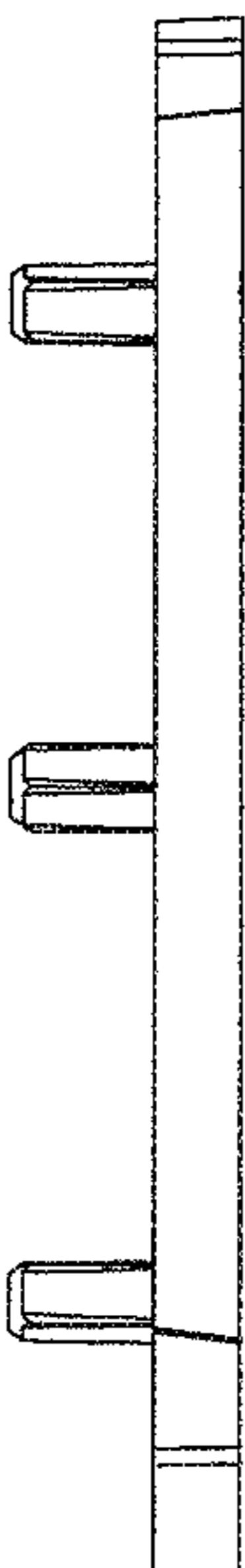


FIG. 6