



US00D751237S

(12) **United States Design Patent**
Ferrier et al.

(10) **Patent No.:** **US D751,237 S**
(45) **Date of Patent:** **** Mar. 8, 2016**

- (54) **SUSPENDED LIGHT FIXTURE**
- (71) Applicant: **Pinnacle Architectural Lighting**,
Denver, CO (US)
- (72) Inventors: **David James Ferrier**, Denver, CO (US);
Andrew Chronister, Westminster, CO (US)
- (73) Assignee: **Pinnacle Architectural Lighting**,
Denver, CO (US)
- (**) Term: **14 Years**
- (21) Appl. No.: **29/489,525**
- (22) Filed: **Apr. 30, 2014**
- (51) **LOC (10) Cl.** **26-03**
- (52) **U.S. Cl.**
USPC **D26/90**
- (58) **Field of Classification Search**
USPC D26/90, 91, 120
See application file for complete search history.

D675,769 S *	2/2013	Choi et al.	D26/106
D680,679 S *	4/2013	Kim et al.	D26/118
D689,647 S *	9/2013	Brott et al.	D26/88
D693,045 S *	11/2013	Kirschhoffer et al.	D26/88
D711,584 S *	8/2014	Parker et al.	D26/120
8,814,386 B2 *	8/2014	So	362/249.02
D717,990 S *	11/2014	Nakai et al.	D26/120
D726,362 S *	4/2015	Kim et al.	D26/120
D727,554 S *	4/2015	Clark et al.	D26/90

* cited by examiner

Primary Examiner — Clare E Heflin

(74) *Attorney, Agent, or Firm* — Merchant & Gould P.C.

(57) **CLAIM**

The ornamental design for a suspended light fixture, as shown and described.

DESCRIPTION

FIG. 1 is a perspective view of a suspended light fixture showing our new design.

FIG. 2 is a front elevation view of the suspended light fixture of FIG. 1.

FIG. 3 is a rear elevation plan view of the suspended light fixture of FIG. 1.

FIG. 4 is a right elevation view of the suspended light fixture of FIG. 1.

FIG. 5 is a left elevation view of the suspended light fixture of FIG. 1.

FIG. 6 is a top plan view of the suspended light fixture of FIG. 1; and,

FIG. 7 is a bottom plan view of the suspended light fixture of FIG. 1.

The fixture is shown broken away in FIGS. 1-7 to represent a continuation of the design uniformly along a non-specific length.

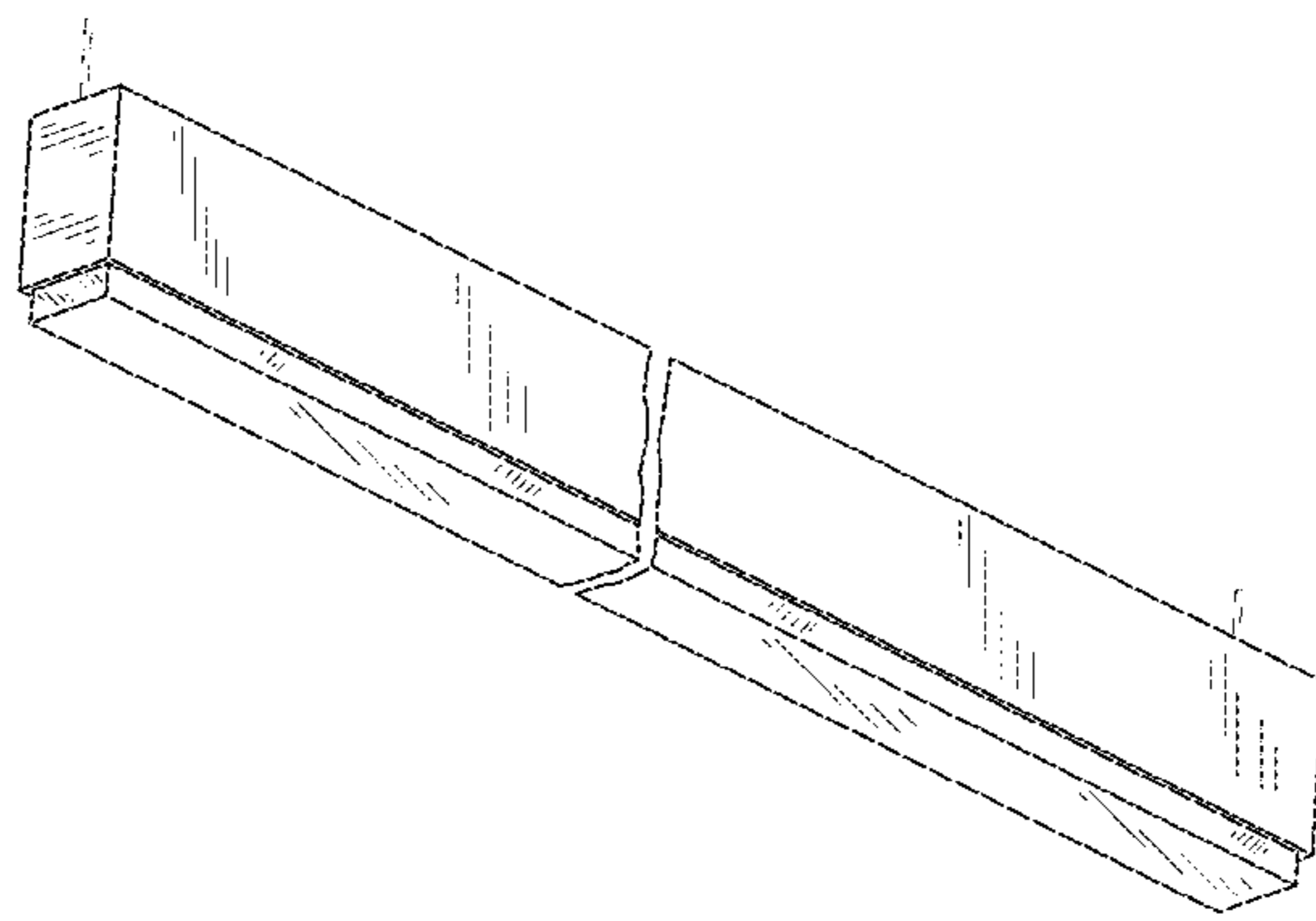
The broken lines depict portions of the suspended light fixture that form no part of the claimed design.

1 Claim, 3 Drawing Sheets

(56) **References Cited**

U.S. PATENT DOCUMENTS

D26,735 S *	3/1897	Magnusen	D25/103
D473,670 S *	4/2003	Kelmelis et al.	D26/74
D536,468 S *	2/2007	Crosby	D26/84
D570,026 S *	5/2008	Waldmann	D26/76
D573,730 S *	7/2008	Uemoto et al.	D26/24
D584,848 S *	1/2009	Menke	D26/88
D595,890 S *	7/2009	Sabernig	D26/88
8,038,315 B1 *	10/2011	Santoro et al.	362/224
D649,278 S *	11/2011	Sabernig	D26/90
D649,281 S *	11/2011	Sabernig	D26/90
D655,442 S *	3/2012	Sabernig	D26/88
D655,447 S *	3/2012	Sabernig	D26/113
D657,487 S *	4/2012	Sabernig	D26/84
D660,497 S *	5/2012	Chung et al.	D26/75
8,231,258 B2 *	7/2012	Kim et al.	362/609



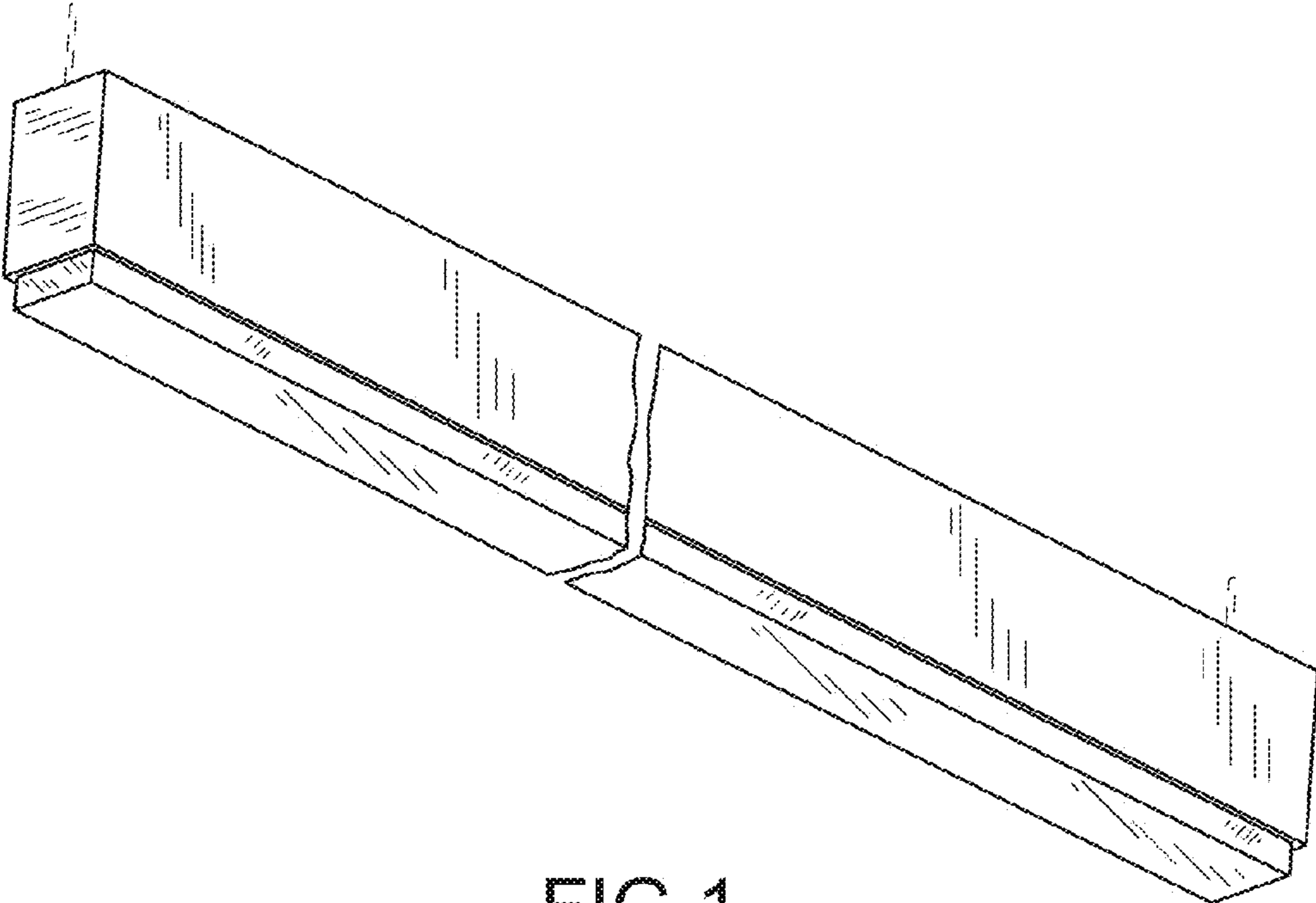


FIG.1

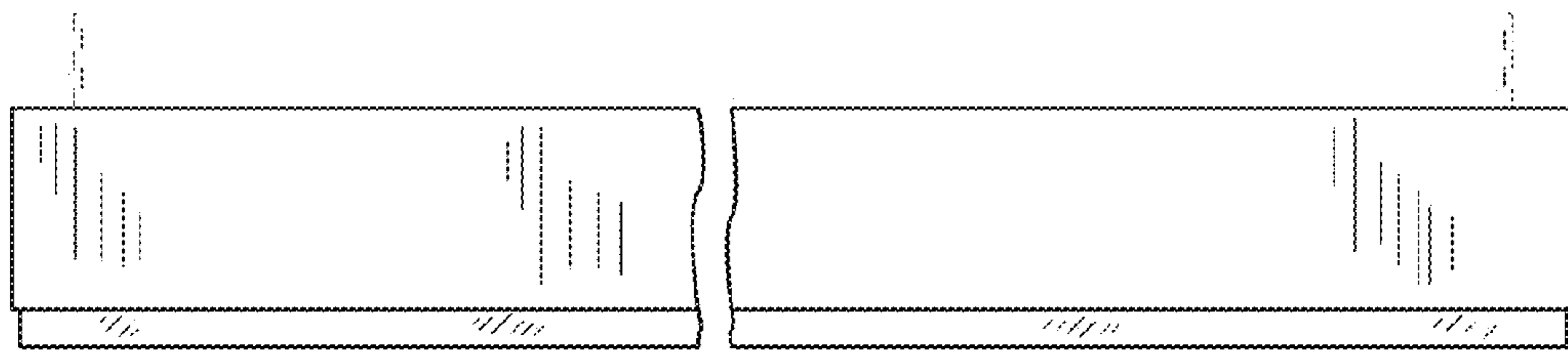


FIG. 2

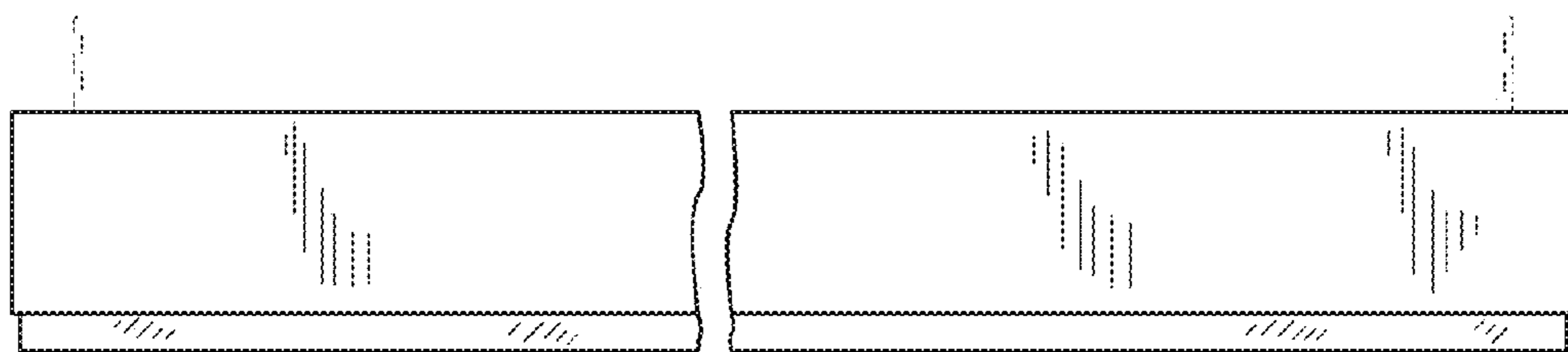


FIG. 3

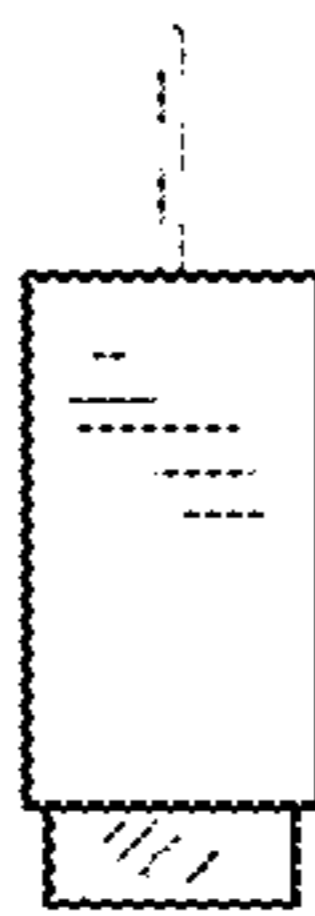


FIG. 4

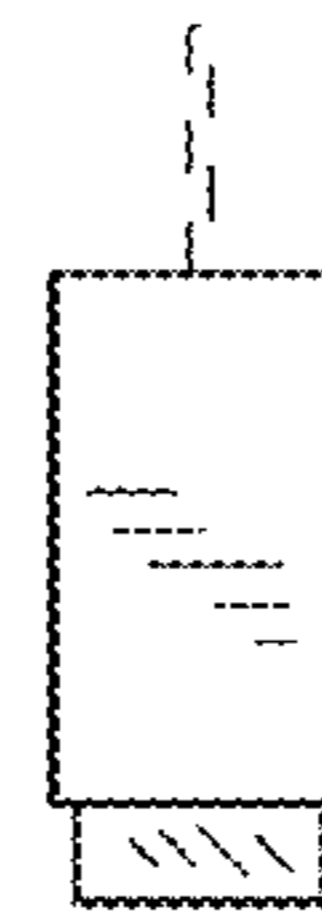


FIG. 5



FIG. 6



FIG. 7