



US00D751234S

(12) **United States Design Patent**  
**Eustace et al.**

(10) **Patent No.:** **US D751,234 S**  
(45) **Date of Patent:** **\*\* Mar. 8, 2016**

(54) **LIGHTING DEVICE**

(71) Applicant: **Mole-Richardson Co., LTD,**  
Hollywood, CA (US)

(72) Inventors: **Brian Eustace,** Sierra Madre, CA (US);  
**Patrick Yi,** Los Angeles, CA (US)

(73) Assignee: **Mole-Richardson Co., LTD,** Pacoima,  
CA (US)

(\*\*) Term: **14 Years**

(21) Appl. No.: **29/486,918**

(22) Filed: **Apr. 3, 2014**

(51) **LOC (10) Cl.** ..... **26-03**

(52) **U.S. Cl.**  
USPC ..... **D26/63**

(58) **Field of Classification Search**

USPC ..... D26/1, 24, 61, 63, 65, 85, 92  
CPC ..... F21V 21/14; F21V 15/01; F21V 14/02;  
F21V 21/30; F21V 21/00; F21V 14/00;  
F21S 8/00; F21S 8/003; F21S 8/043; F21Y  
2105/001

See application file for complete search history.

(56) **References Cited**

**U.S. PATENT DOCUMENTS**

D439,356 S \* 3/2001 Martinson et al. .... D26/63  
D606,690 S \* 12/2009 Orrom et al. .... D26/61

D699,382 S \* 2/2014 Moller et al. .... D26/63  
D728,840 S \* 5/2015 Eustace ..... D26/63  
D735,385 S \* 7/2015 Lee et al. .... D26/63  
D735,388 S \* 7/2015 Schlegel ..... D26/63

**OTHER PUBLICATIONS**

1,200 Watt, Daylite Par, Type 6631, Product Flyer, Mole-Richardson Co., Hollywood, CA 2008.

1,200/1,800 Watt, Daylite Par, Type 6831, Product Flyer, Mole-Richardson Co., Hollywood, CA 2008.

\* cited by examiner

*Primary Examiner* — Brian N Vinson

(74) *Attorney, Agent, or Firm* — Sheppard, Mullin, Richter & Hampton LLP

(57) **CLAIM**

We claim the ornamental design for a lighting device, as shown and described.

**DESCRIPTION**

FIG. 1 is a perspective view of the lighting device showing the new design;

FIG. 2 is a front elevational view thereof;

FIG. 3 is a rear elevational view thereof;

FIG. 4 is a left side elevational view thereof;

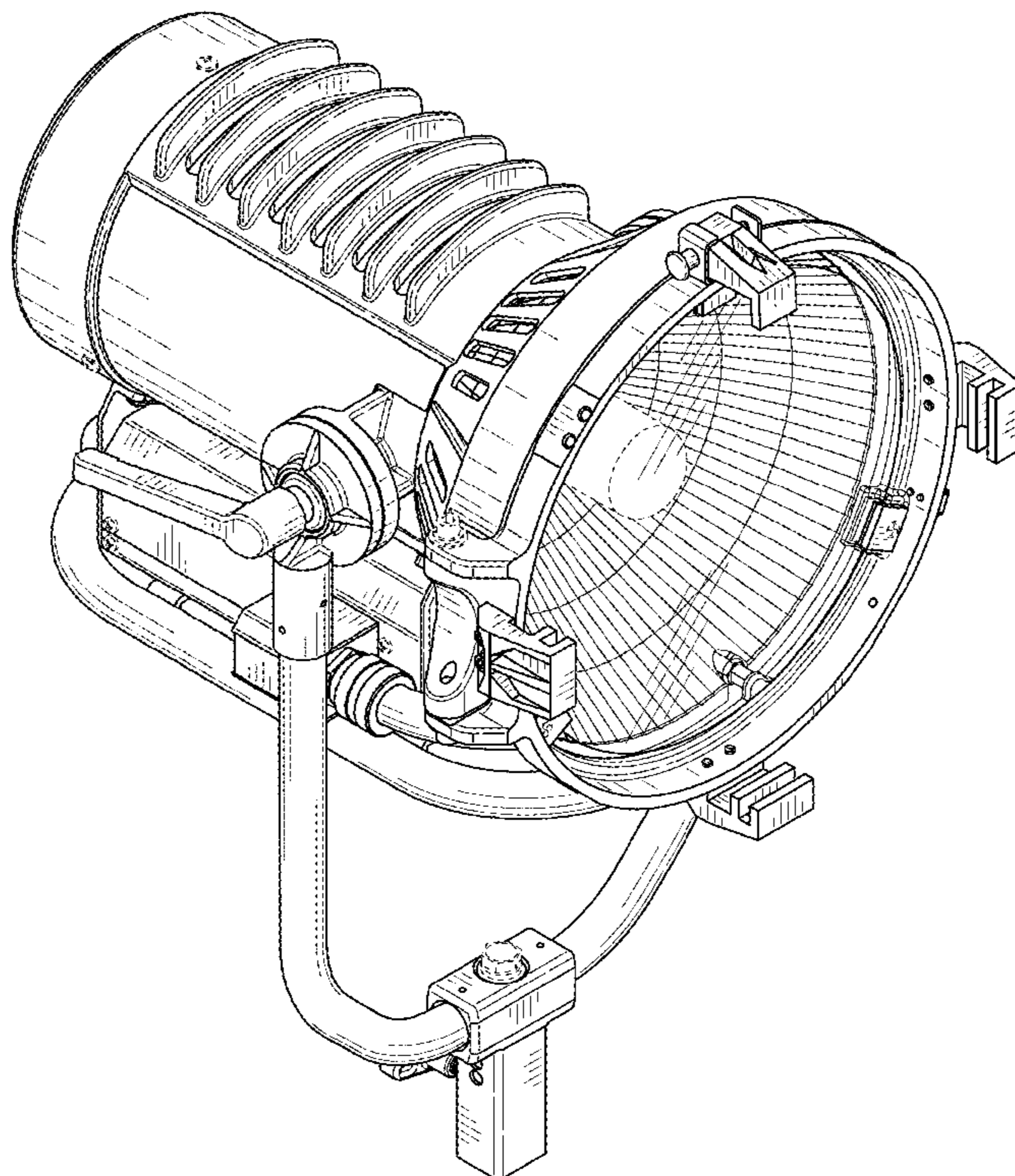
FIG. 5 is a right side elevational view thereof;

FIG. 6 is a top plan view thereof; and,

FIG. 7 is a bottom plan view thereof.

The broken lines shown represent unclaimed subject matter and form no part of the claimed design.

**1 Claim, 7 Drawing Sheets**



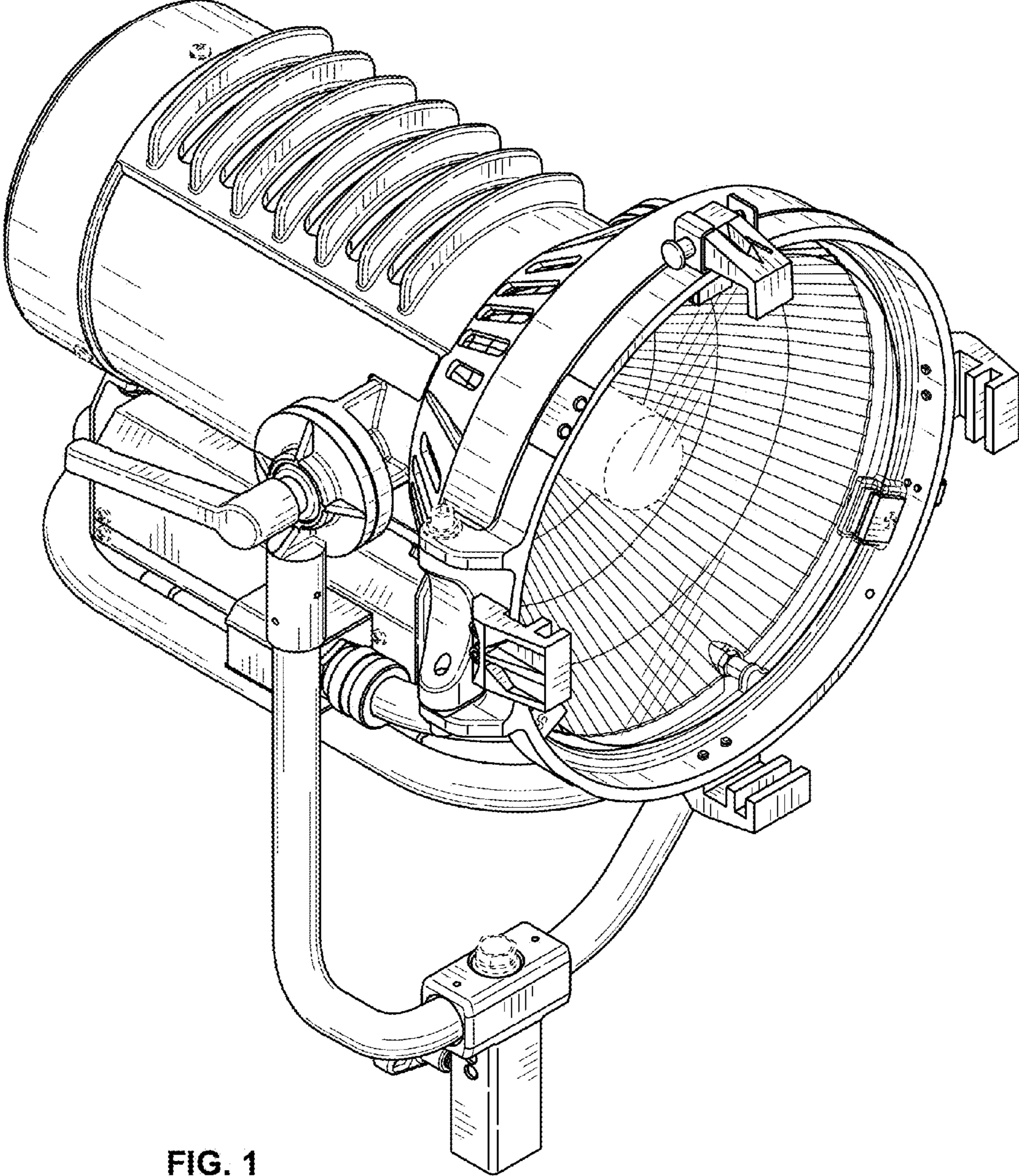


FIG. 1

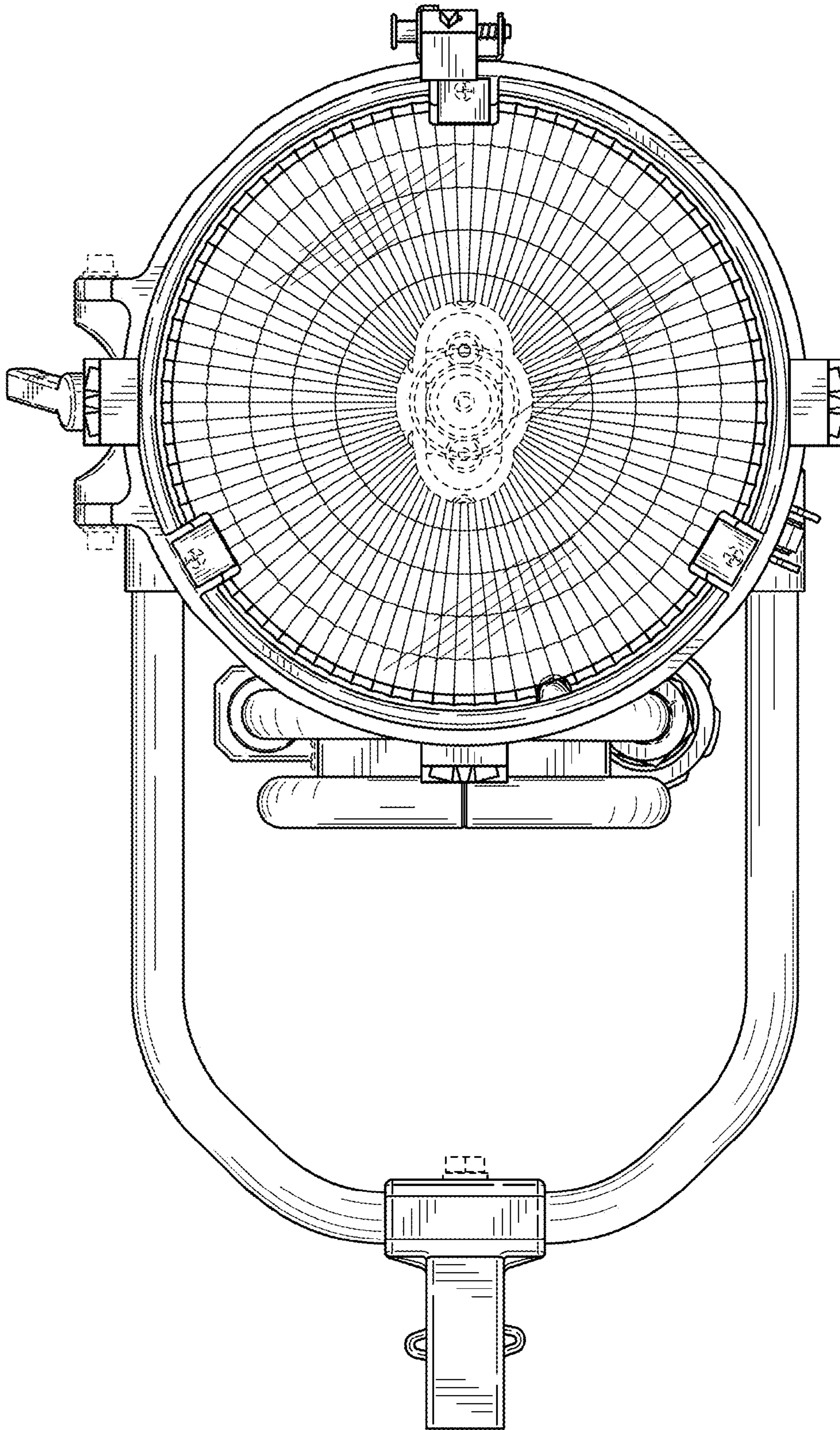


FIG. 2

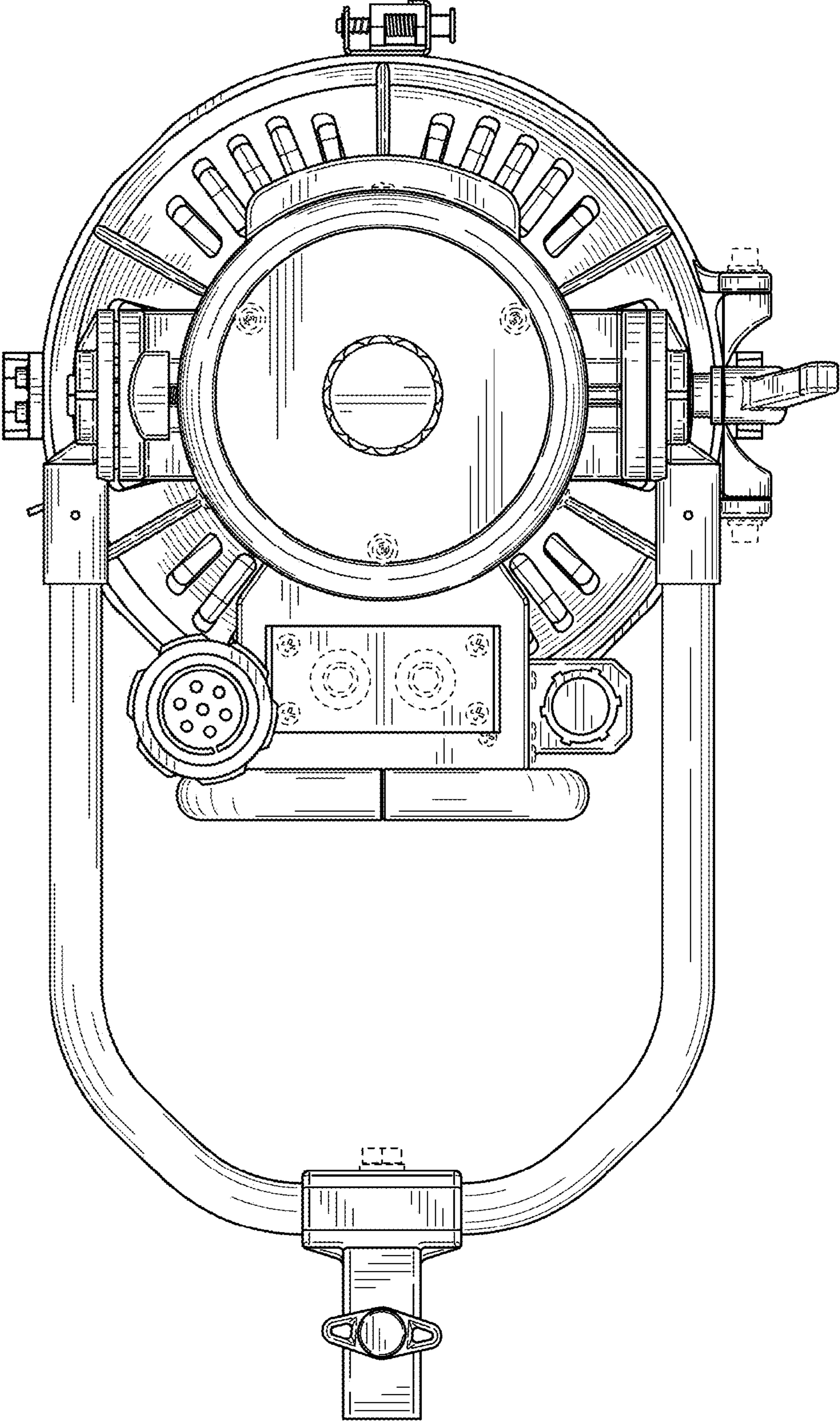


FIG. 3

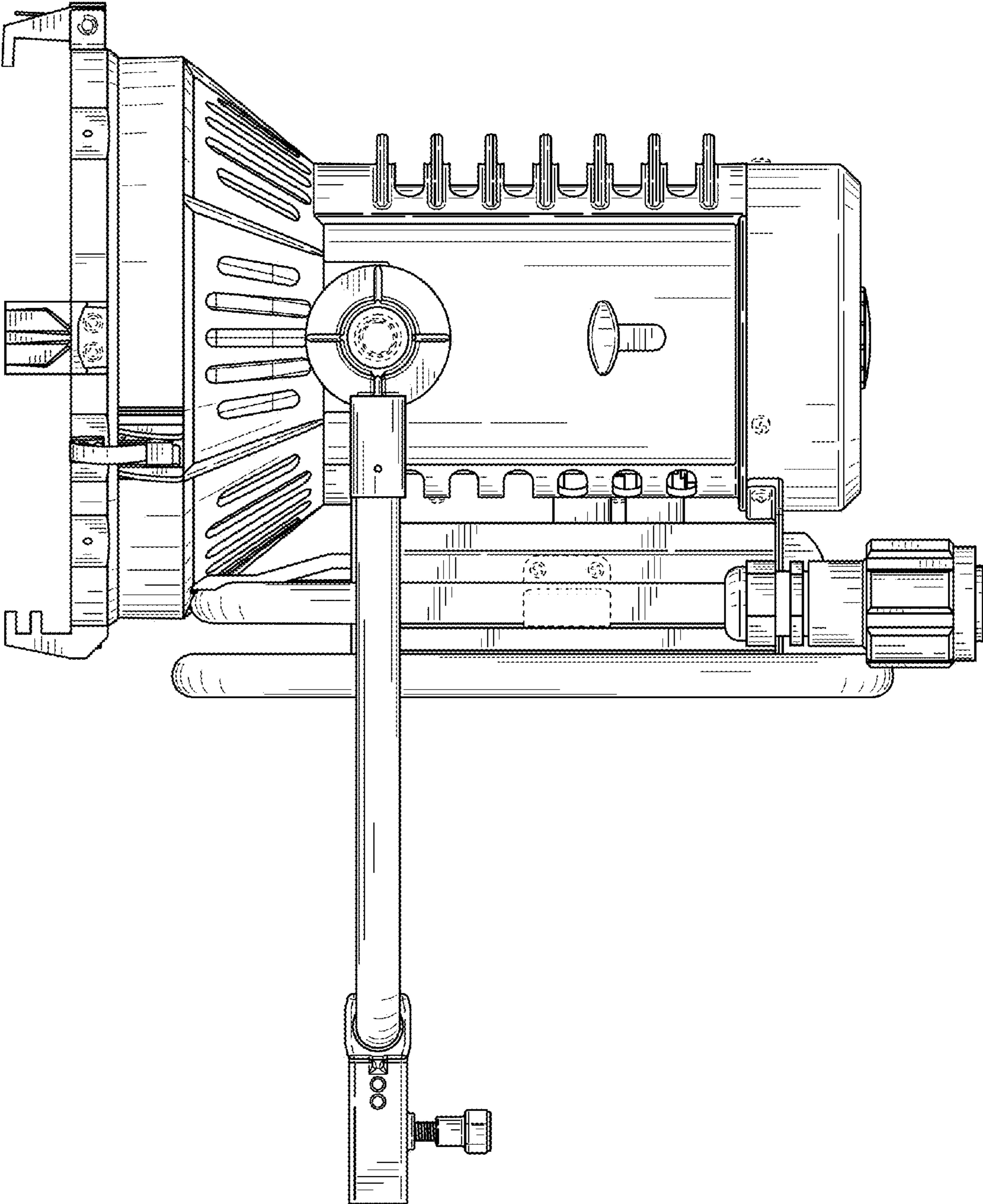


FIG. 4

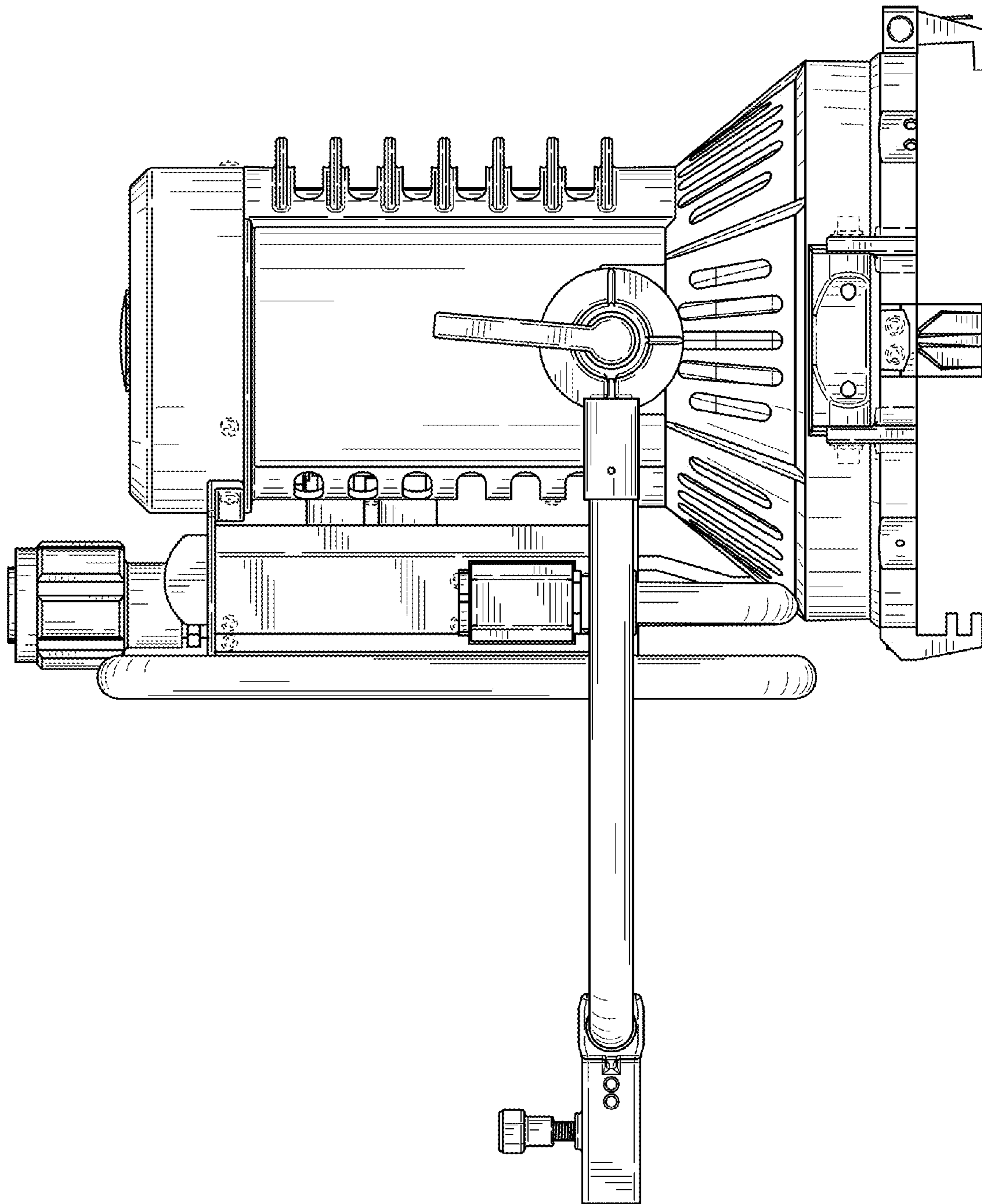


FIG. 5

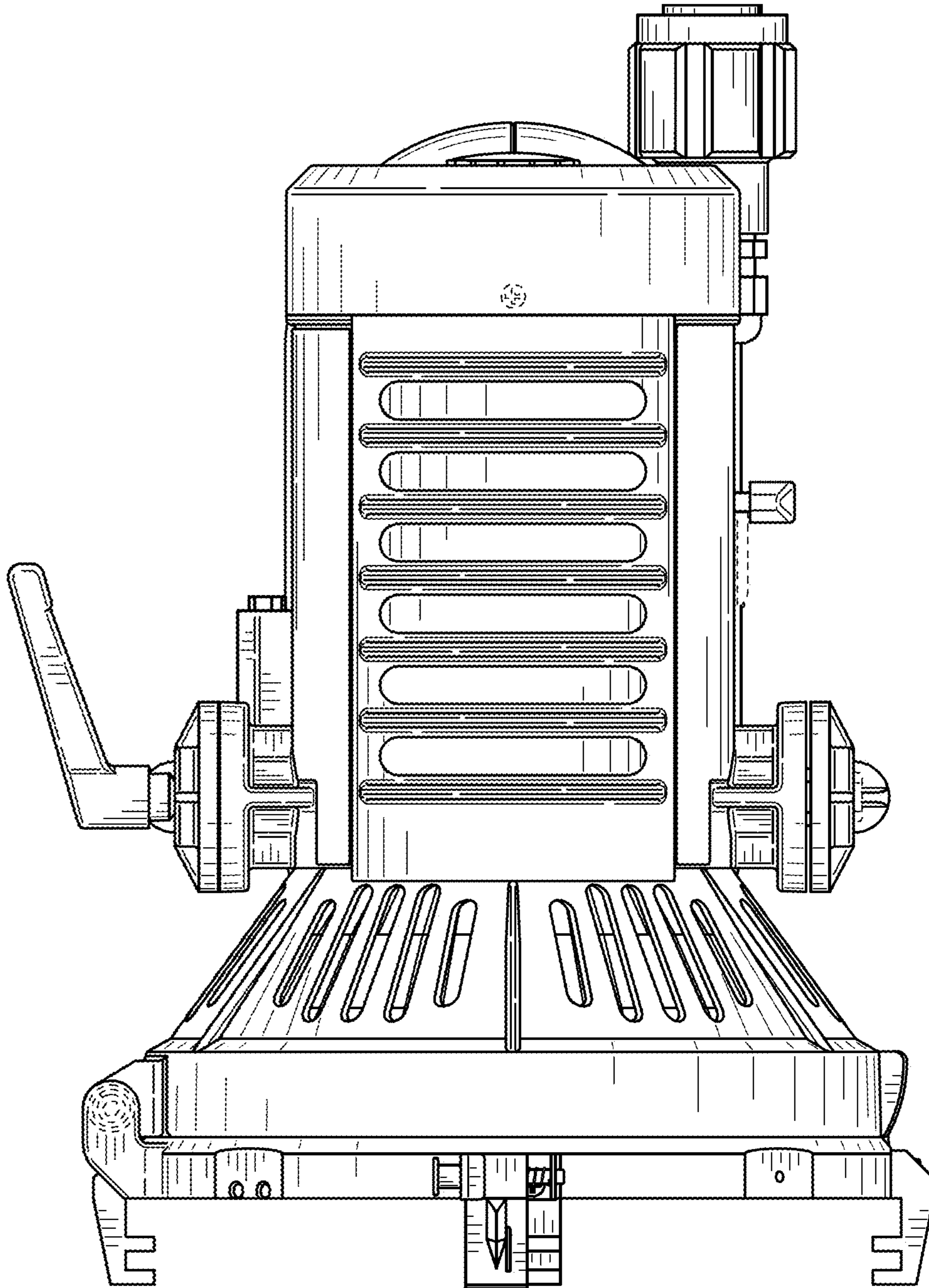


FIG. 6

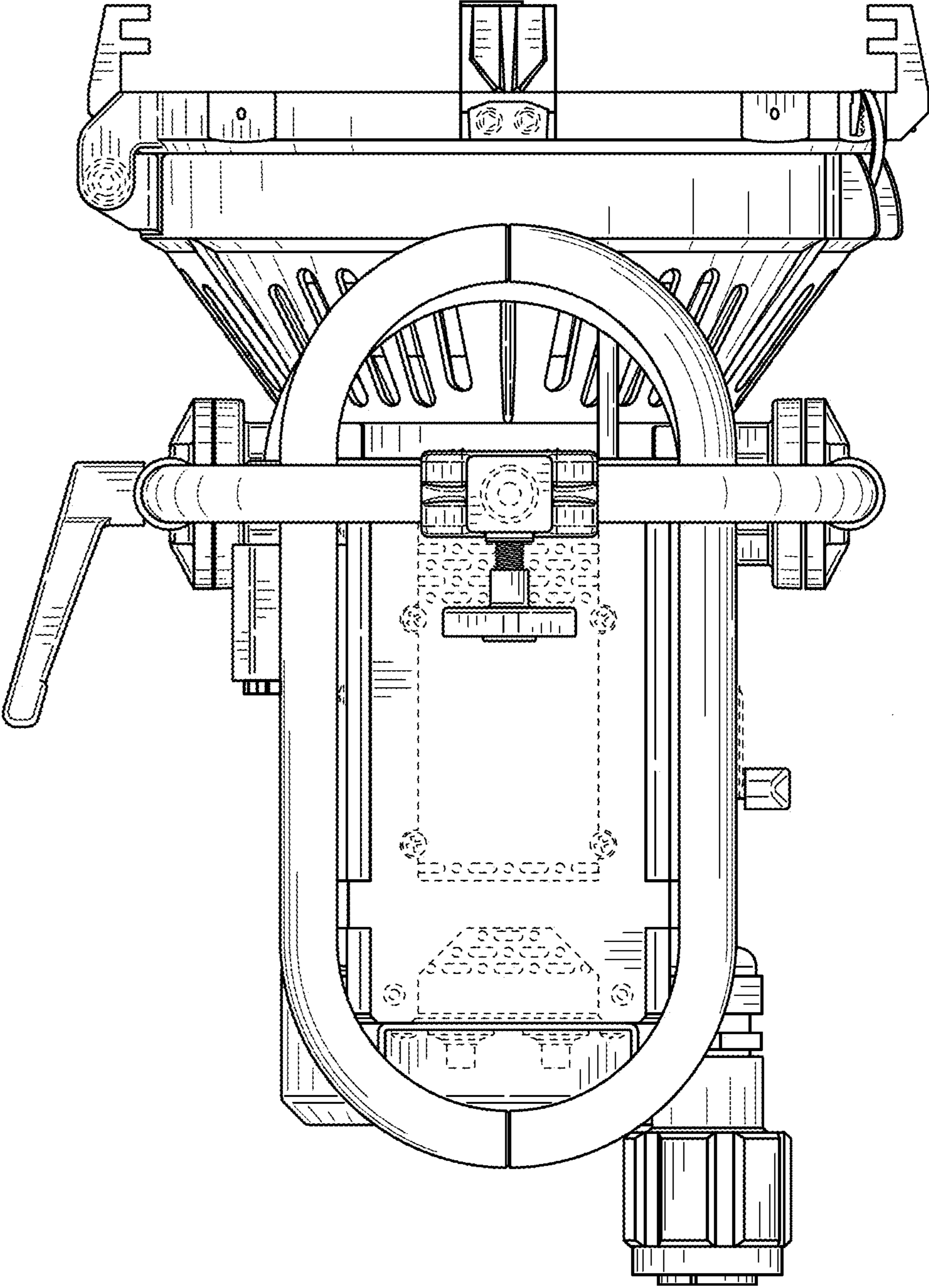


FIG. 7