



US00D751230S

(12) **United States Design Patent**  
**Howard et al.**

(10) **Patent No.:** **US D751,230 S**  
(45) **Date of Patent:** **\*\* Mar. 8, 2016**

(54) **LED NIGHT-LIGHT**

(56) **References Cited**

- (71) Applicant: **Mary Elle Fashions, Inc.**, Maryland Heights, MO (US)
- (72) Inventors: **Kenneth A. Howard**, Creve Coeur, MO (US); **James J. Riley**, St. Louis, MO (US); **Matthew S. Smith**, St. Charles, MO (US)
- (73) Assignee: **Mary Elle Fashions, Inc.**, Maryland Heights, MO (US)
- (\*\*) Term: **14 Years**
- (21) Appl. No.: **29/451,518**
- (22) Filed: **Apr. 3, 2013**

U.S. PATENT DOCUMENTS

D196,261 S \* 9/1963 Ludwig ..... D26/26  
D205,371 S \* 7/1966 Mellyn ..... D26/26

(Continued)

FOREIGN PATENT DOCUMENTS

EP 1353536 A1 10/2003  
WO 2010/132639 A1 11/2010

*Primary Examiner* — Angela J Lee

(74) *Attorney, Agent, or Firm* — Senniger Powers LLP

(57) **CLAIM**

The ornamental design for an LED (light emitting diode) night-light, as shown and described.

**DESCRIPTION**

FIG. 1 is a perspective view of one embodiment of the LED (light emitting diode) night-light of the invention;  
FIG. 2 is a front view of the LED night-light of FIG. 1;  
FIG. 3 is a right side view of the LED night-light of FIG. 1, which is a mirror image of the left side view of the LED night-light;  
FIG. 4 is a top plan view of the LED night-light of FIG. 1;  
FIG. 5 is a bottom plan view of the LED night-light of FIG. 1; and,  
FIG. 6 is a rear view of the LED night-light of FIG. 1.

The text shown in broken lines in FIGS. 1-3, and 5 is for illustrative purposes only and is not part of the claimed design.

The electrical plug shown in broken lines in FIGS. 1, and 3-6 is for illustrative purposes only and is not part of the claimed design.

The screw head and accompanying indentation shown in broken lines in FIGS. 4 and 6 is for illustrative purposes only and is not part of the claimed design.

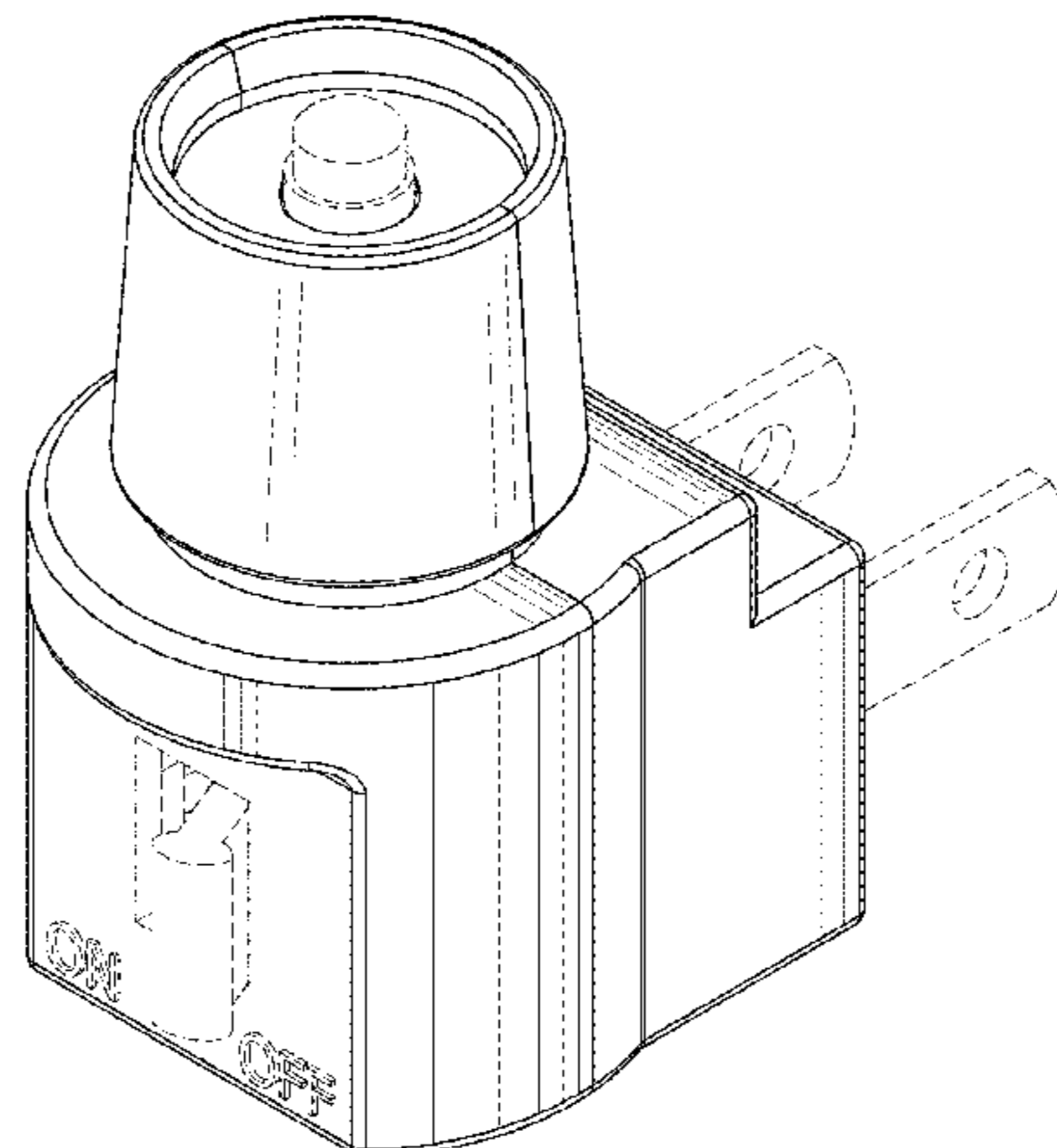
The LED (light emitting diode) light source shown in broken lines in FIGS. 1-4 and 6 is for illustrative purposes only and is not part of the claimed design.

The toggle switch shown in broken lines in FIGS. 1-5 is for illustrative purposes only and is not part of the claimed design.

**Related U.S. Application Data**

- (63) Continuation of application No. 13/544,365, filed on Jul. 9, 2012, now Pat. No. 8,662,733, which is a continuation of application No. 12/466,209, filed on May 14, 2009, now Pat. No. 8,215,820.
- (51) **LOC (10) Cl.** ..... **26-05**
- (52) **U.S. Cl.**  
USPC ..... **D26/26**
- (58) **Field of Classification Search**  
USPC ..... D26/26, 24, 72, 75, 76, 78, 79, 81, 82, D26/88, 89, 91, 113, 118, 119, 120, 138, D26/141, 142; 362/145, 146, 147, 148, 150, 362/151, 153, 153.1, 217.01, 223, 217.05, 362/217.07, 217.06, 217.15, 640, 641, 642, 362/643, 644, 650, 651, 652, 653, 659, 362/249.02, 296.07, 296.08, 311.02, 373, 362/800  
CPC ..... F21S 8/035; F21V 23/06; F21V 23/0442; F21W 2121/00; H01R 2103/00  
See application file for complete search history.

**1 Claim, 6 Drawing Sheets**



(56)

References Cited

U.S. PATENT DOCUMENTS

|           |      |         |                            |              |      |         |                            |         |
|-----------|------|---------|----------------------------|--------------|------|---------|----------------------------|---------|
| 3,968,355 | A    | 7/1976  | Smallegan                  | 8,277,108    | B2 * | 10/2012 | Yang                       | 362/643 |
| 4,064,426 | A    | 12/1977 | Tyler                      | 8,303,158    | B2 * | 11/2012 | Chien                      | 362/646 |
| 4,343,032 | A    | 8/1982  | Schwartz                   | 8,425,105    | B2 * | 4/2013  | Yang                       | 362/641 |
| 4,714,984 | A    | 12/1987 | Spector                    | 8,662,733    | B2 * | 3/2014  | Howard et al.              | 362/641 |
| 5,339,231 | A    | 8/1994  | Parsolano et al.           | 2003/0185020 | A1   | 10/2003 | Stekelenburg               |         |
| D393,084  | S *  | 3/1998  | Hergert ..... D26/26       | 2004/0160769 | A1   | 8/2004  | Currie et al.              |         |
| D460,573  | S    | 7/2002  | Gee, II                    | 2004/0246704 | A1   | 12/2004 | Burdick                    |         |
| D485,380  | S *  | 1/2004  | Goodenow ..... D26/4       | 2006/0002153 | A1   | 1/2006  | Currie et al.              |         |
| 6,709,126 | B1   | 3/2004  | Leen                       | 2006/0007709 | A1   | 1/2006  | Yuen                       |         |
| 6,824,296 | B2   | 11/2004 | Souza et al.               | 2006/0077684 | A1   | 4/2006  | Yuen                       |         |
| D500,152  | S    | 12/2004 | Stekelenburg               | 2006/0152946 | A1   | 7/2006  | Chien                      |         |
| 6,926,426 | B2   | 8/2005  | Currie et al.              | 2006/0171141 | A1 * | 8/2006  | Tsai ..... 362/95          |         |
| D523,972  | S    | 6/2006  | Chan                       | 2006/0221617 | A1   | 10/2006 | Chien                      |         |
| D523,975  | S *  | 6/2006  | Meyers ..... D26/26        | 2006/0237439 | A1   | 10/2006 | Norwood et al.             |         |
| D524,456  | S    | 7/2006  | Yuen                       | 2007/0076437 | A1   | 4/2007  | Chien                      |         |
| D524,457  | S    | 7/2006  | Chan                       | 2007/0076438 | A1   | 4/2007  | Chien                      |         |
| D524,458  | S    | 7/2006  | Chan                       | 2007/0076439 | A1   | 4/2007  | Chien                      |         |
| D524,956  | S    | 7/2006  | Chan                       | 2007/0076440 | A1   | 4/2007  | Chien                      |         |
| D525,376  | S    | 7/2006  | Brady                      | 2007/0103901 | A1   | 5/2007  | Reid                       |         |
| 7,114,821 | B2   | 10/2006 | Currie et al.              | 2007/0132733 | A1   | 6/2007  | Ram                        |         |
| D536,806  | S *  | 2/2007  | Yuen ..... D26/26          | 2007/0242485 | A1   | 10/2007 | Chien                      |         |
| 7,455,444 | B2   | 11/2008 | Chien                      | 2007/0253222 | A1 * | 11/2007 | Driska et al. .... 362/641 |         |
| 7,568,829 | B2   | 8/2009  | Chien                      | 2008/0304289 | A1   | 12/2008 | Chien                      |         |
| 7,632,004 | B2   | 12/2009 | Chien                      | 2009/0080201 | A1   | 3/2009  | Wu                         |         |
| 8,215,820 | B2 * | 7/2012  | Howard et al. .... 362/641 | 2010/0290254 | A1 * | 11/2010 | Howard et al. .... 362/641 |         |
|           |      |         |                            | 2012/0275194 | A1   | 11/2012 | Howard et al.              |         |
|           |      |         |                            | 2014/0185325 | A1 * | 7/2014  | Howard et al. .... 362/641 |         |

\* cited by examiner

FIG. 1

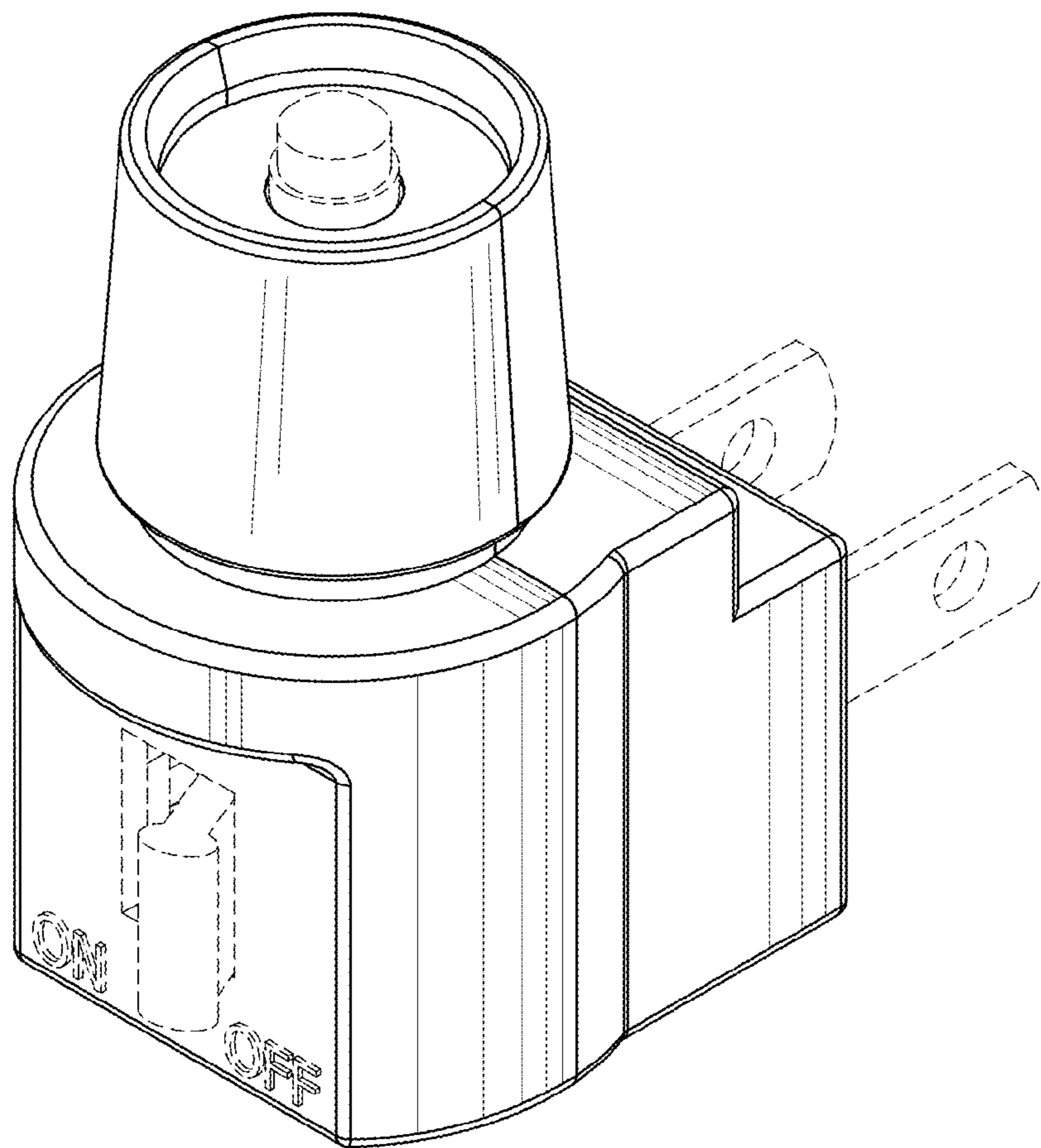


FIG. 2

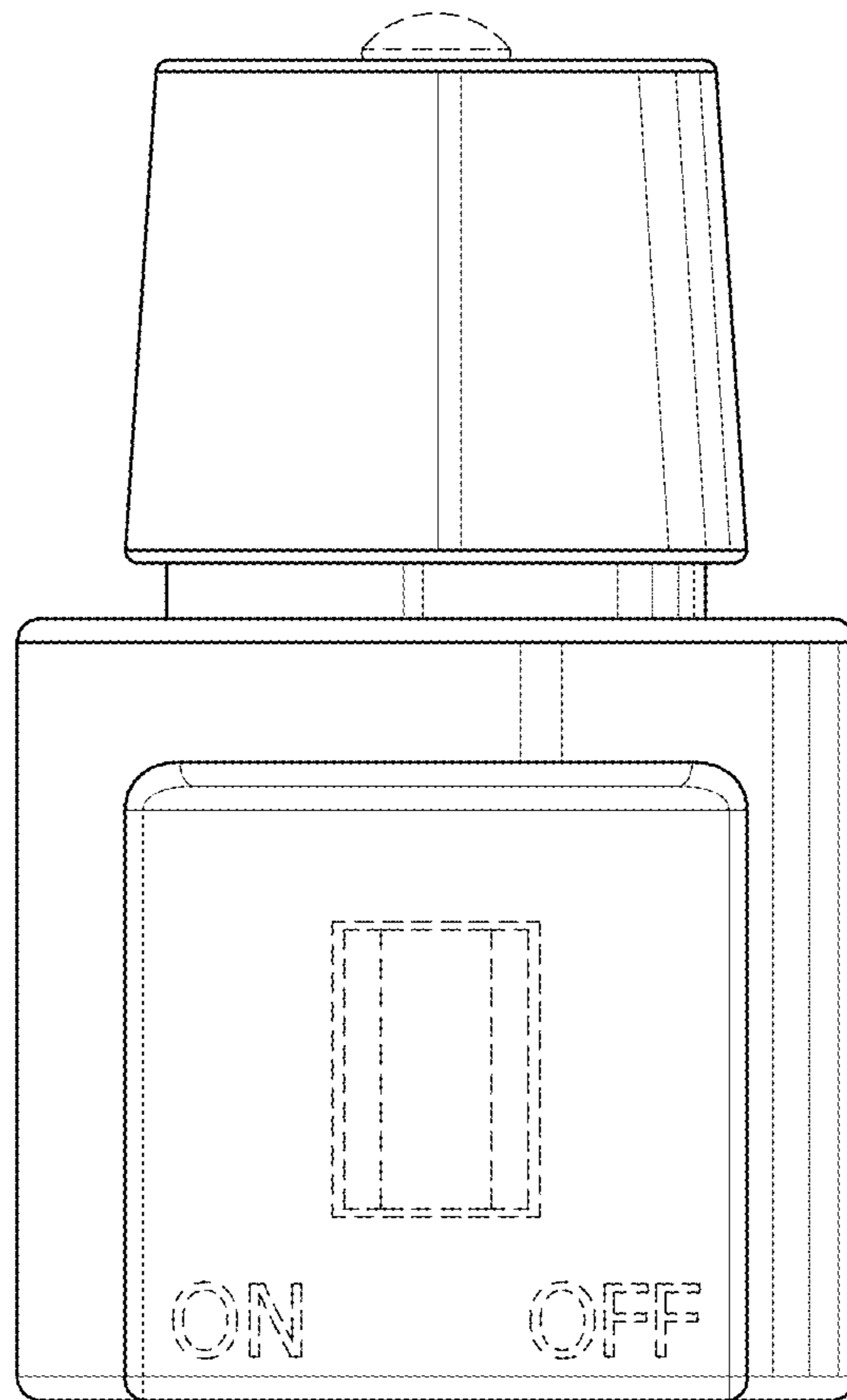


FIG. 3

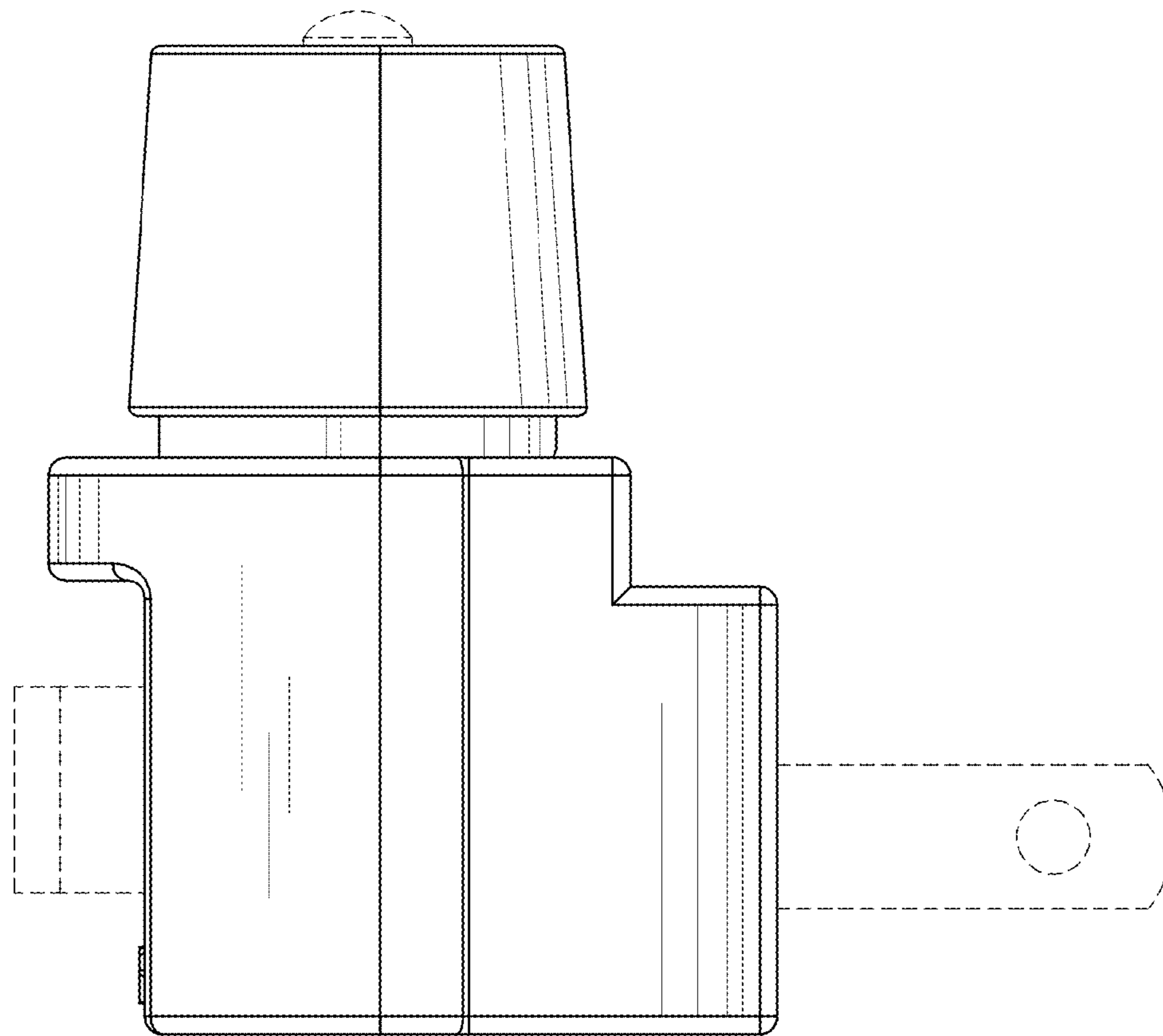




FIG. 4

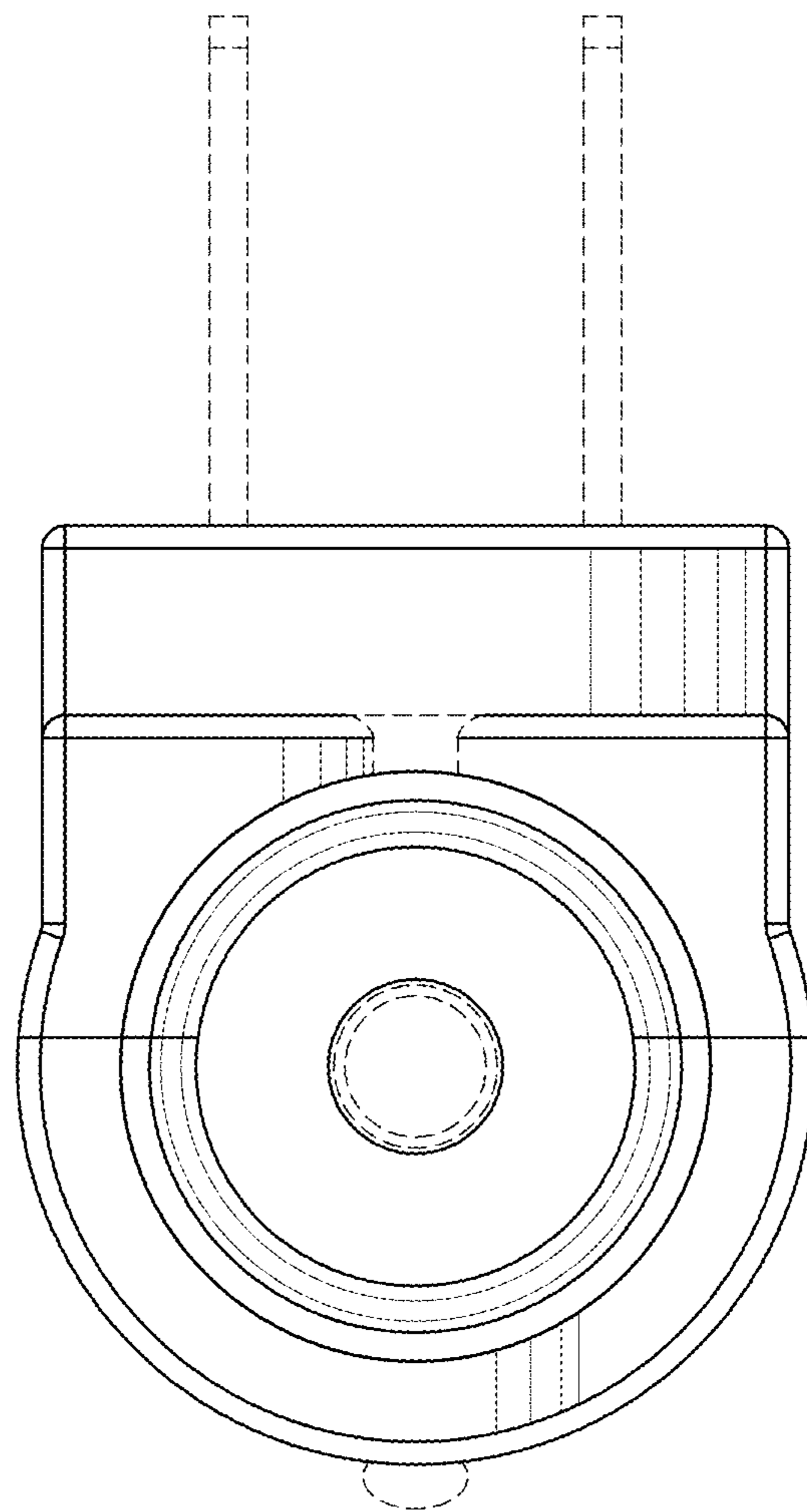


FIG. 5

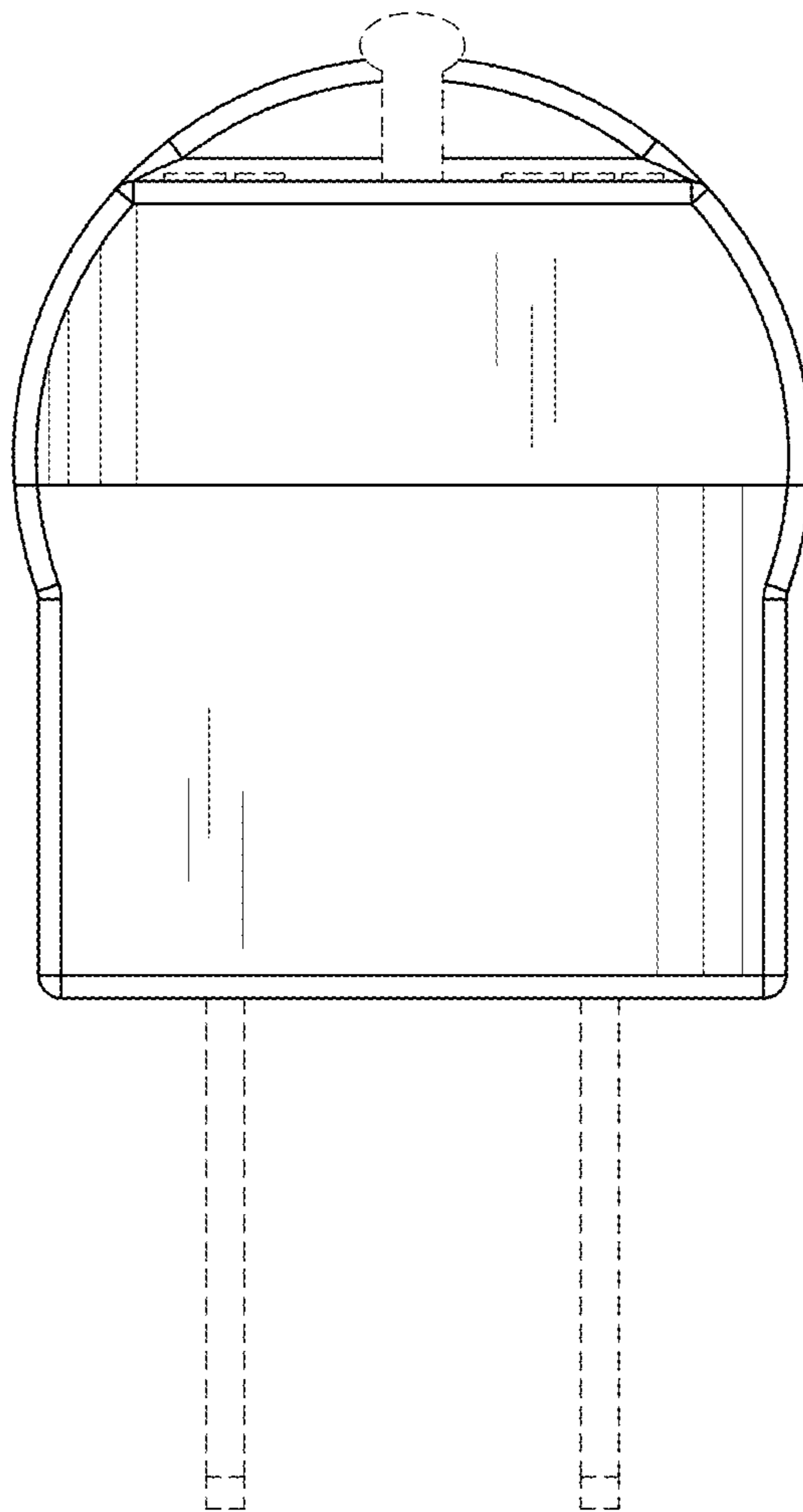


FIG. 6

