



US00D751229S

(12) **United States Design Patent**
Howard et al.

(10) **Patent No.:** **US D751,229 S**
(45) **Date of Patent:** **** *Mar. 8, 2016**

- (54) **LED NIGHT-LIGHT**
- (71) Applicant: **Mary Elle Fashions, Inc.**, Maryland Heights, MO (US)
- (72) Inventors: **Kenneth Howard**, Creve Coeur, MO (US); **James Riley**, St. Louis, MO (US); **Matthew Smith**, St. Charles, MO (US); **Gavin Perry**, St. Louis, MO (US)
- (73) Assignee: **Mary Elle Fashions, Inc.**, Maryland Heights, MI (US)
- (*) Notice: This patent is subject to a terminal disclaimer.
- (**) Term: **14 Years**
- (21) Appl. No.: **29/441,007**
- (22) Filed: **Dec. 29, 2012**
- (51) **LOC (10) Cl.** **26-05**
- (52) **U.S. Cl.**
USPC **D26/26; D26/113**
- (58) **Field of Classification Search**
USPC D26/1, 2, 5-7, 24, 26, 28, 34, 50, 51, D26/72-74, 81-85, 87-89, 92, 93, 113, D26/118-120; D11/222-228; D10/118; 362/23.01, 216, 249.02, 249.03, 362/249.07, 277, 285, 310, 362, 372, 362/640-653
See application file for complete search history.

| | | | | | | |
|-----------|---|---|---------|------------------|-------|----------|
| 4,228,389 | A | * | 10/1980 | Vennard | | 320/127 |
| 4,343,032 | A | * | 8/1982 | Schwartz | | D26/26 |
| D291,125 | S | * | 7/1987 | Fenne | | D26/26 |
| 4,714,984 | A | * | 12/1987 | Spector | | 362/641 |
| 5,263,577 | A | * | 11/1993 | Paratte et al. | | 206/38.1 |
| 5,339,231 | A | * | 8/1994 | Parsolano et al. | | 362/641 |
| 5,683,254 | A | * | 11/1997 | Lin | | 362/641 |
| D393,084 | S | * | 3/1998 | Hergert | | D26/26 |
| D393,912 | S | * | 4/1998 | Yuen | | D26/26 |
| D397,814 | S | * | 9/1998 | Pun | | D26/26 |
| D404,673 | S | * | 1/1999 | Gordon et al. | | D10/118 |
| 6,093,028 | A | * | 7/2000 | Yang | | 362/641 |
| D430,945 | S | * | 9/2000 | Ham | | D26/26 |
| D431,660 | S | * | 10/2000 | Yuen | | D26/26 |
| D460,573 | S | * | 7/2002 | Gee, II | | D26/26 |

(Continued)

Primary Examiner — Garth Rademaker
Assistant Examiner — Llorellys Martinez-Rivera
(74) *Attorney, Agent, or Firm* — Senniger Powers LLP

(57) **CLAIM**

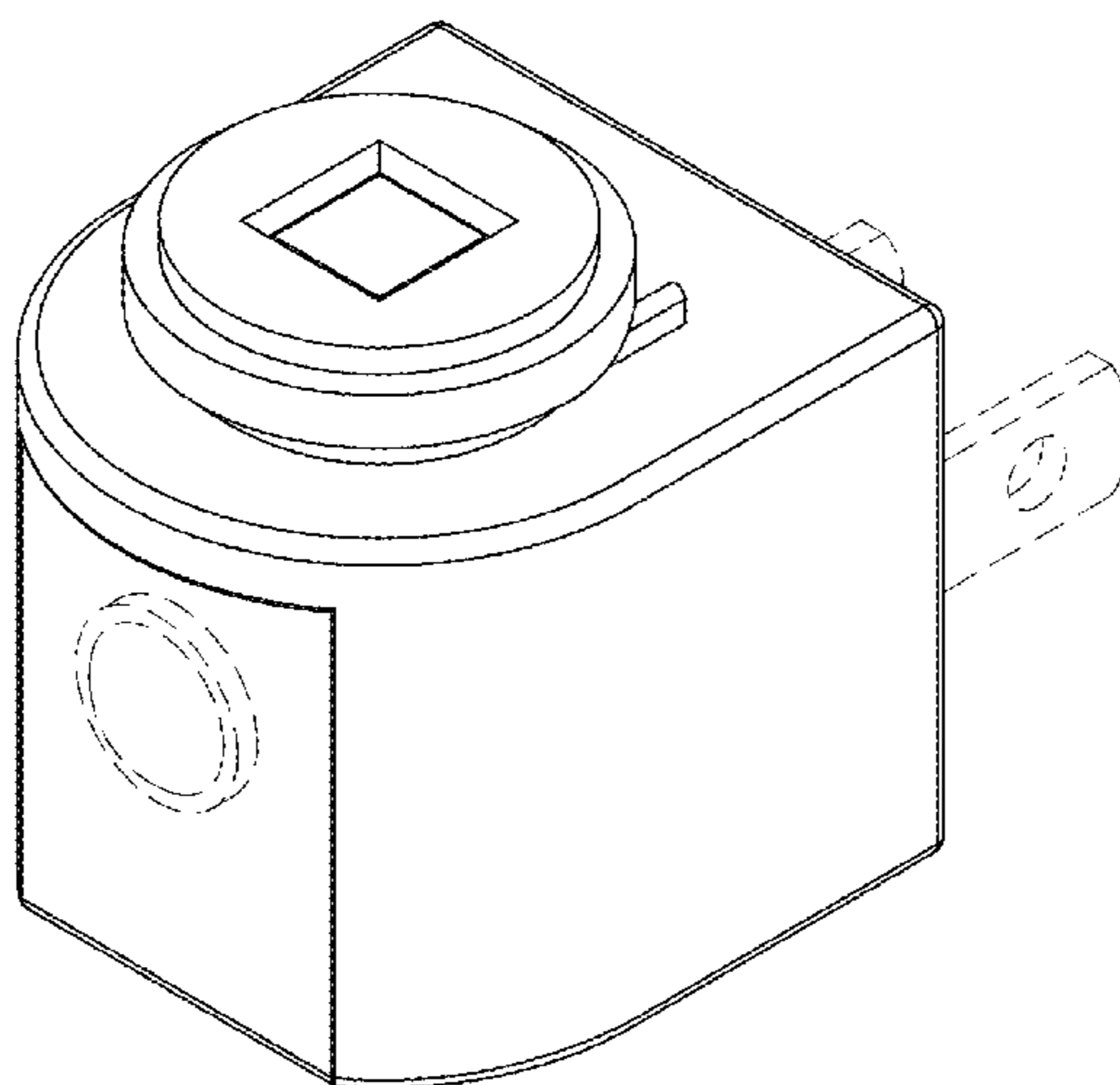
The ornamental design for an LED night-light, as shown and described.

DESCRIPTION

FIG. 1 is a perspective view of an LED night-light showing the present invention;
FIG. 2 is a perspective view of the LED night-light of FIG. 1 with an optional lens shown in broken lines;
FIG. 3 is a front view of the LED night-light of FIG. 1;
FIG. 4 is a right side view of the LED night-light of FIG. 1;
FIG. 5 is a top plan view of the LED night-light of FIG. 1;
FIG. 6 is a rear view of the LED night-light of FIG. 1;
FIG. 7 is a bottom plan view of the LED night-light of FIG. 1; and,
FIG. 8 is a left side view of the LED night-light of FIG. 1.
The broken lines in FIGS. 1 through 8 illustrate portions of the LED night-light that form no part of the claimed design.

1 Claim, 8 Drawing Sheets

- (56) **References Cited**
U.S. PATENT DOCUMENTS
D113,227 S * 2/1939 Jette D11/227
2,905,779 A * 9/1959 Schmier D26/26
3,780,260 A * 12/1973 Elsner 362/641
3,968,355 A * 7/1976 Smallegan 362/642



(56)

References Cited

U.S. PATENT DOCUMENTS

| | | | | | | | | | |
|----------------|---------|---------------|-------|---------|-------------------|---------|------------------|-------|---------|
| D471,654 S * | 3/2003 | Schenck | | D26/26 | 7,568,829 B2 * | 8/2009 | Chien | | 362/641 |
| D500,152 S * | 12/2004 | Stekelenburg | | D26/26 | 7,632,004 B2 * | 12/2009 | Chien | | 362/641 |
| 6,843,656 B2 * | 1/2005 | Hwang et al. | | 439/11 | D642,707 S * | 8/2011 | Kang et al. | | D26/26 |
| 6,926,426 B2 * | 8/2005 | Currie et al. | | 362/282 | 8,215,820 B2 * | 7/2012 | Howard et al. | | 362/641 |
| 6,955,441 B1 * | 10/2005 | Chen | | 362/641 | 8,371,740 B2 * | 2/2013 | Pestl et al. | | 362/643 |
| D523,972 S * | 6/2006 | Chan | | D26/26 | D678,561 S * | 3/2013 | Rugendyke et al. | | D26/26 |
| D524,456 S * | 7/2006 | Yuen | | D26/26 | 8,425,105 B2 * | 4/2013 | Yang | | 362/641 |
| D524,457 S * | 7/2006 | Chan | | D26/26 | 2004/0246704 A1 * | 12/2004 | Burdick | | 362/95 |
| D524,458 S * | 7/2006 | Chan | | D26/26 | 2006/0007709 A1 * | 1/2006 | Yuen | | 362/641 |
| 7,114,821 B2 * | 10/2006 | Currie et al. | | 362/311 | 2006/0221617 A1 * | 10/2006 | Chien | | 362/311 |
| D536,806 S * | 2/2007 | Yuen | | D26/26 | 2007/0076440 A1 * | 4/2007 | Chien | | 362/643 |
| | | | | | 2007/0253222 A1 * | 11/2007 | Driska et al. | | 362/641 |
| | | | | | 2010/0290254 A1 * | 11/2010 | Howard et al. | | 362/641 |
| | | | | | 2012/0275194 A1 * | 11/2012 | Howard et al. | | 362/641 |

* cited by examiner

FIG. 1

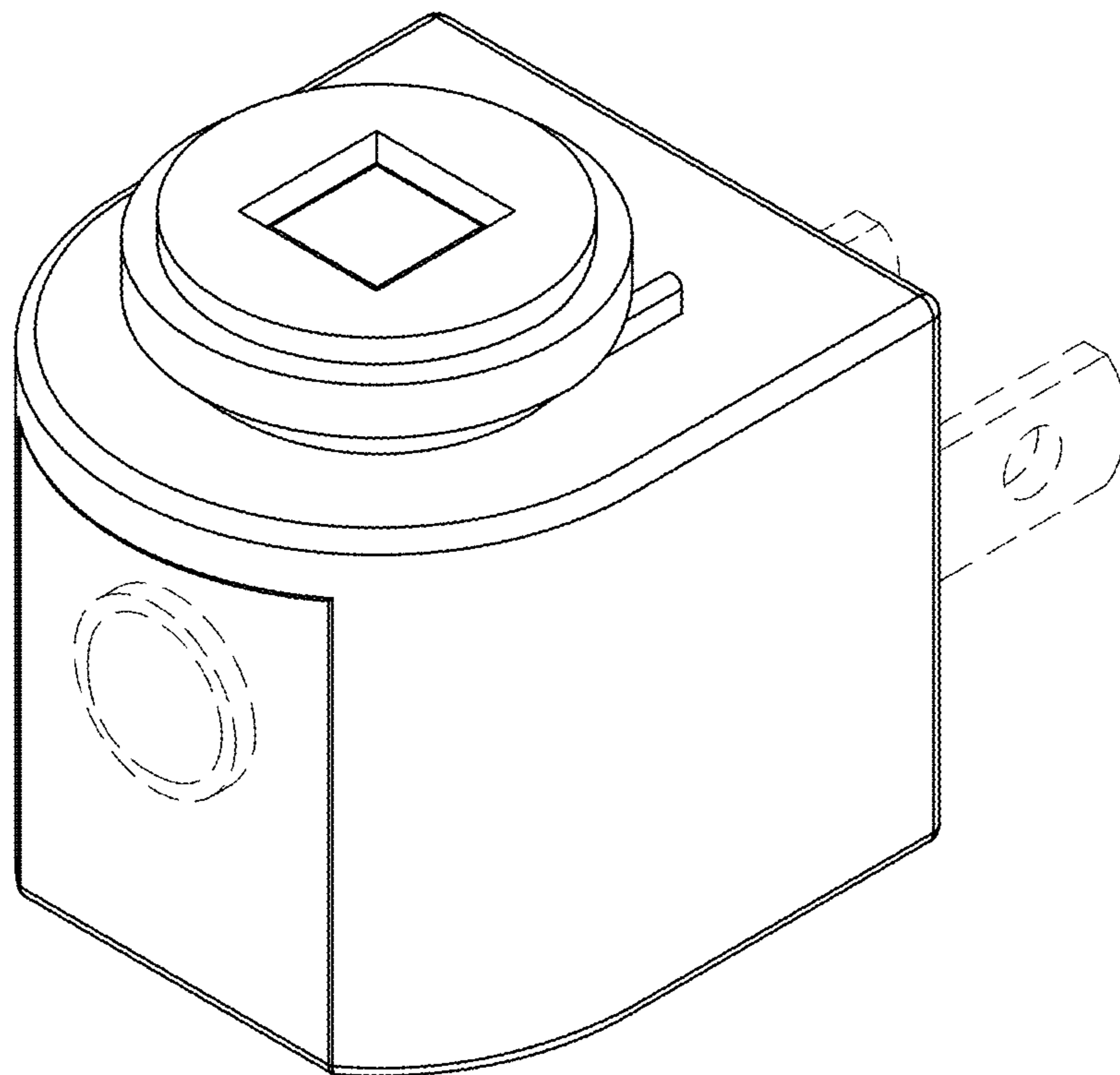


FIG. 2

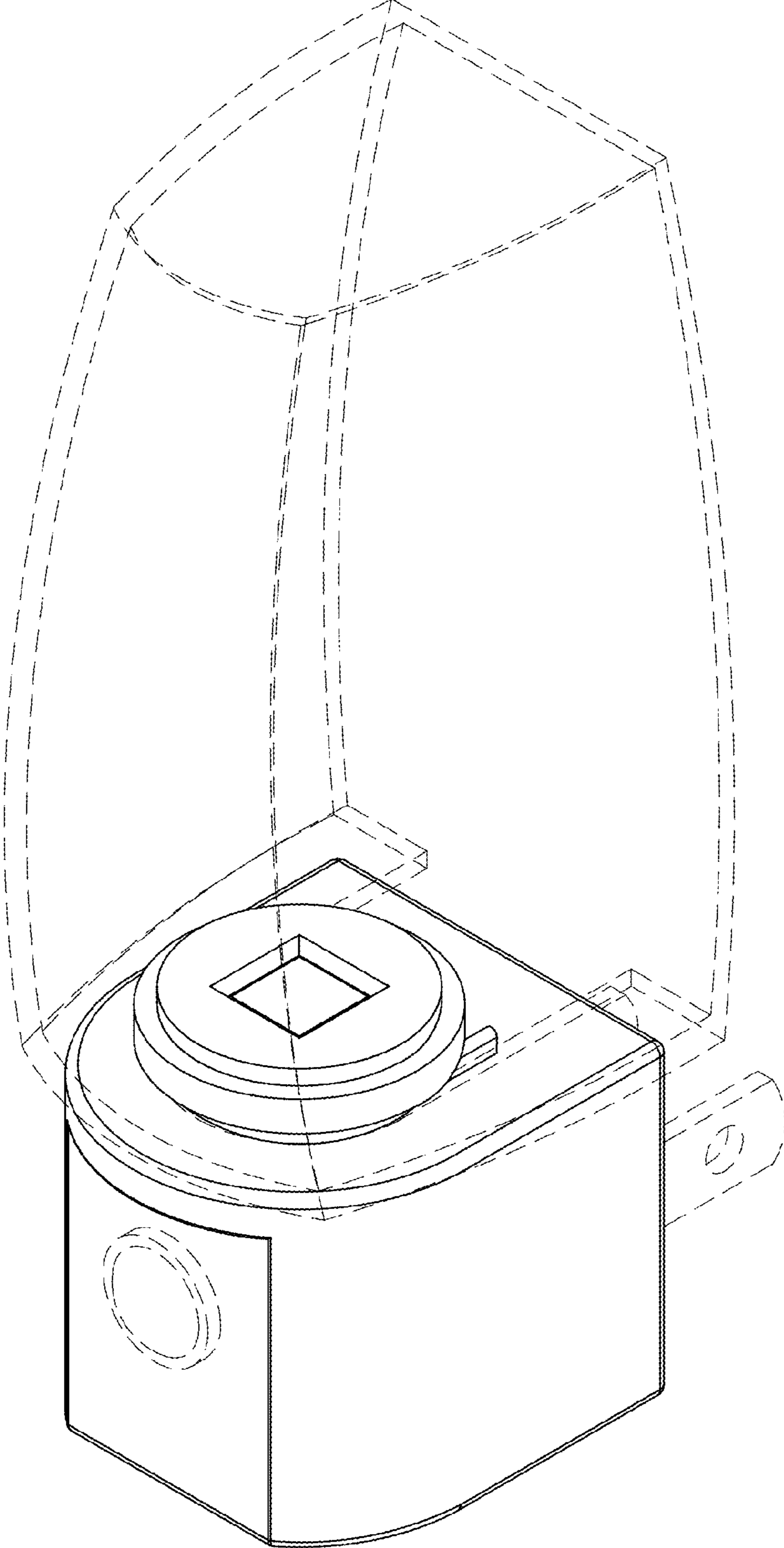


FIG. 3

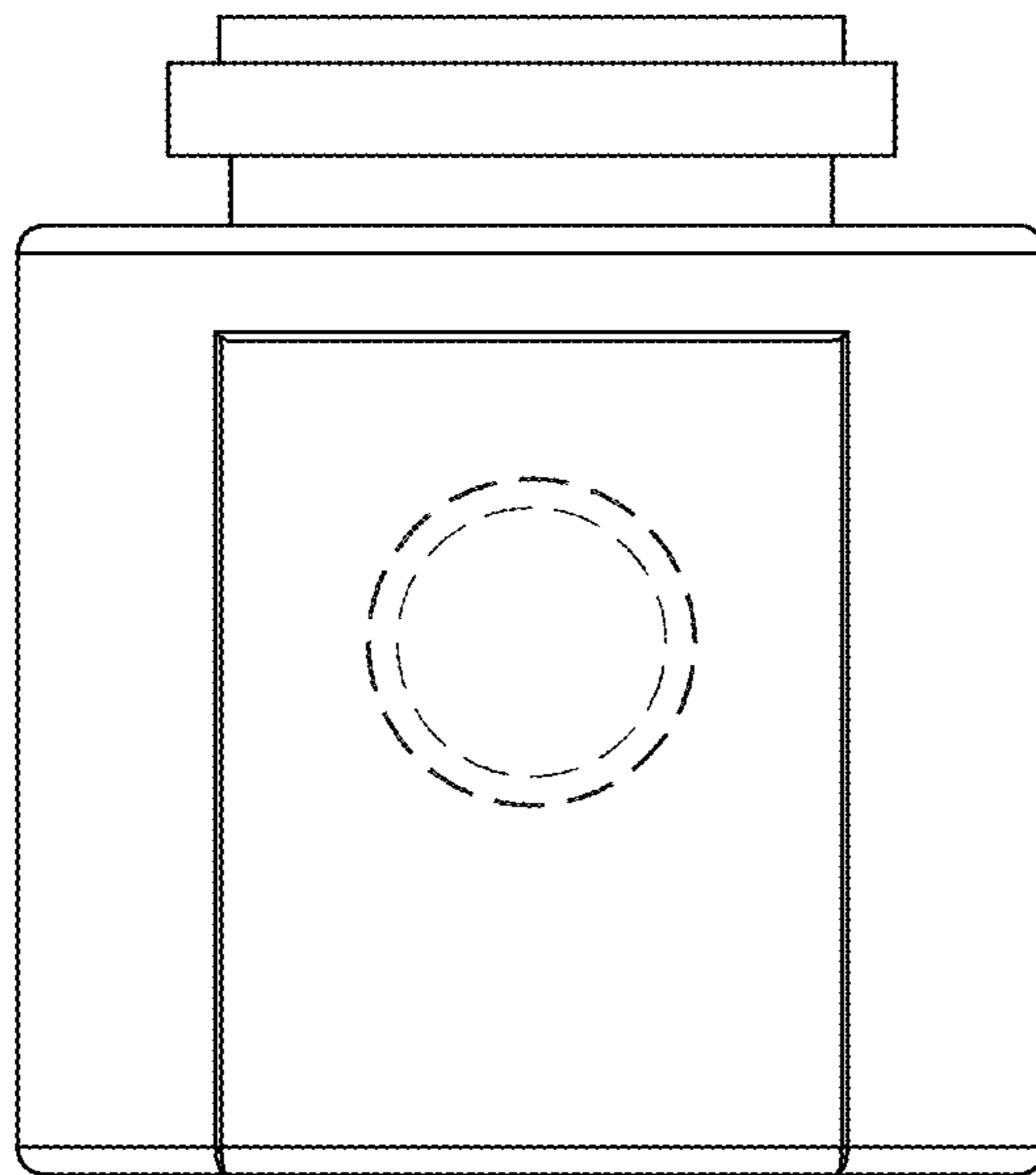


FIG. 4

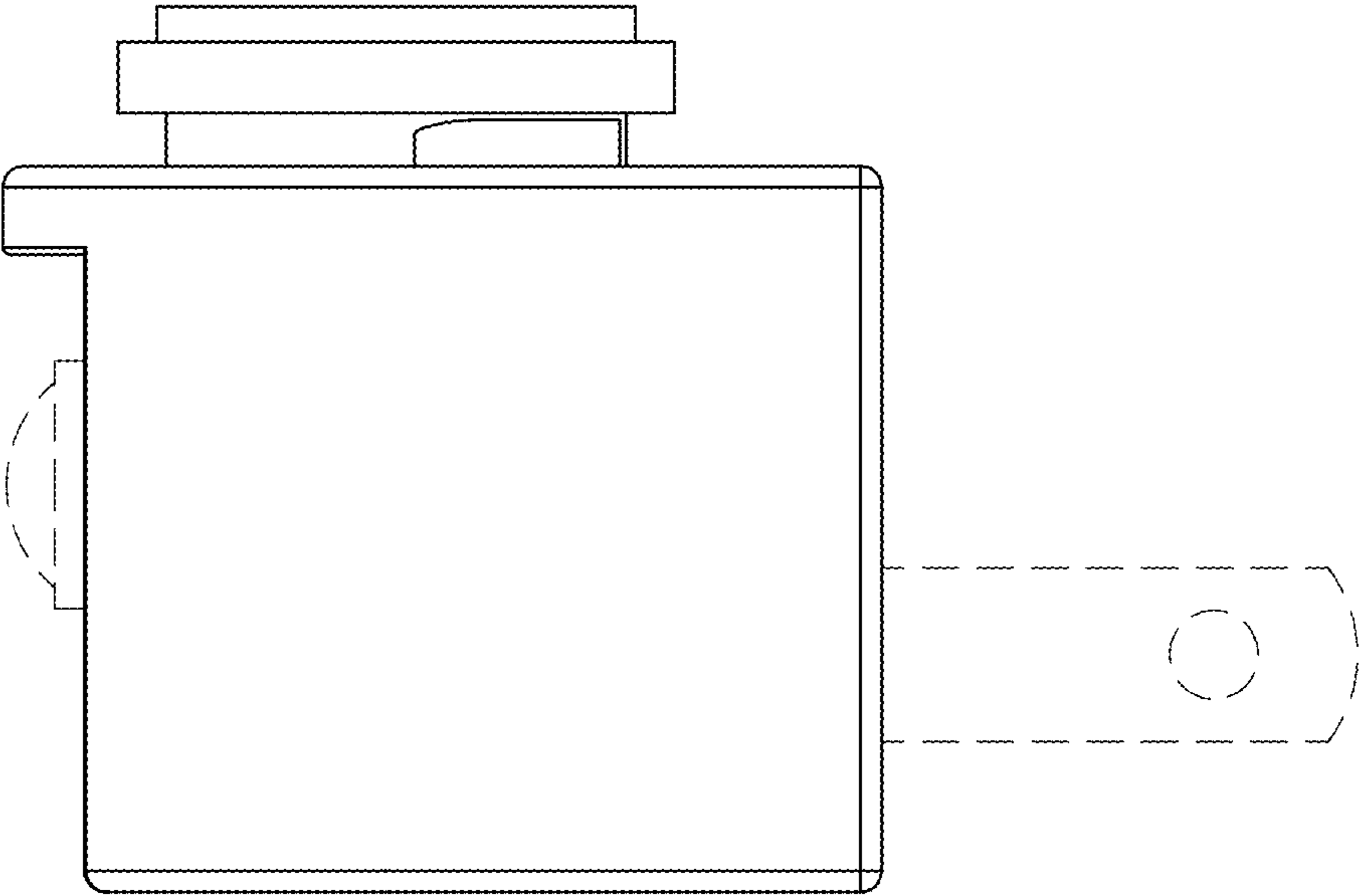


FIG. 5

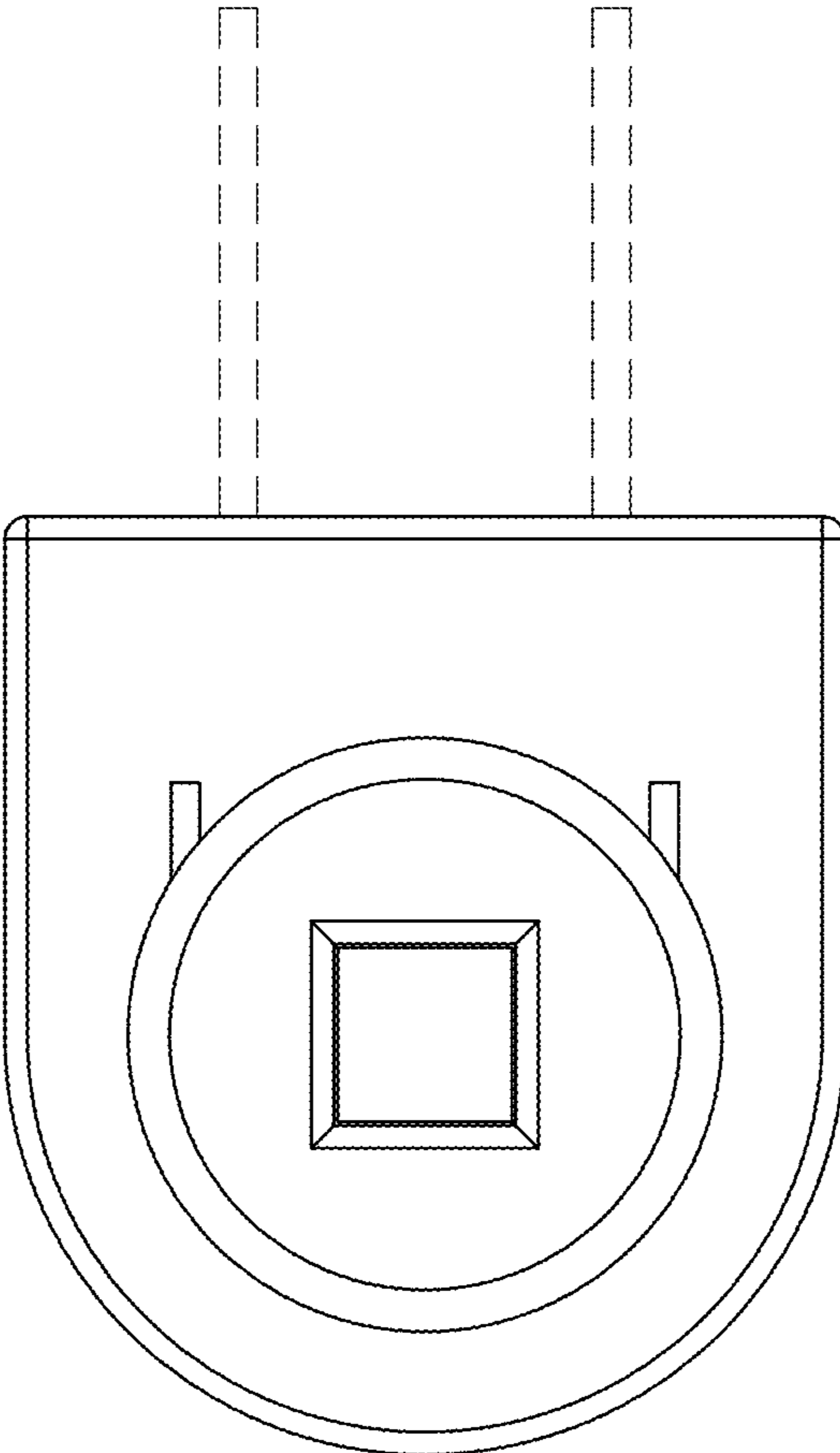


FIG. 6

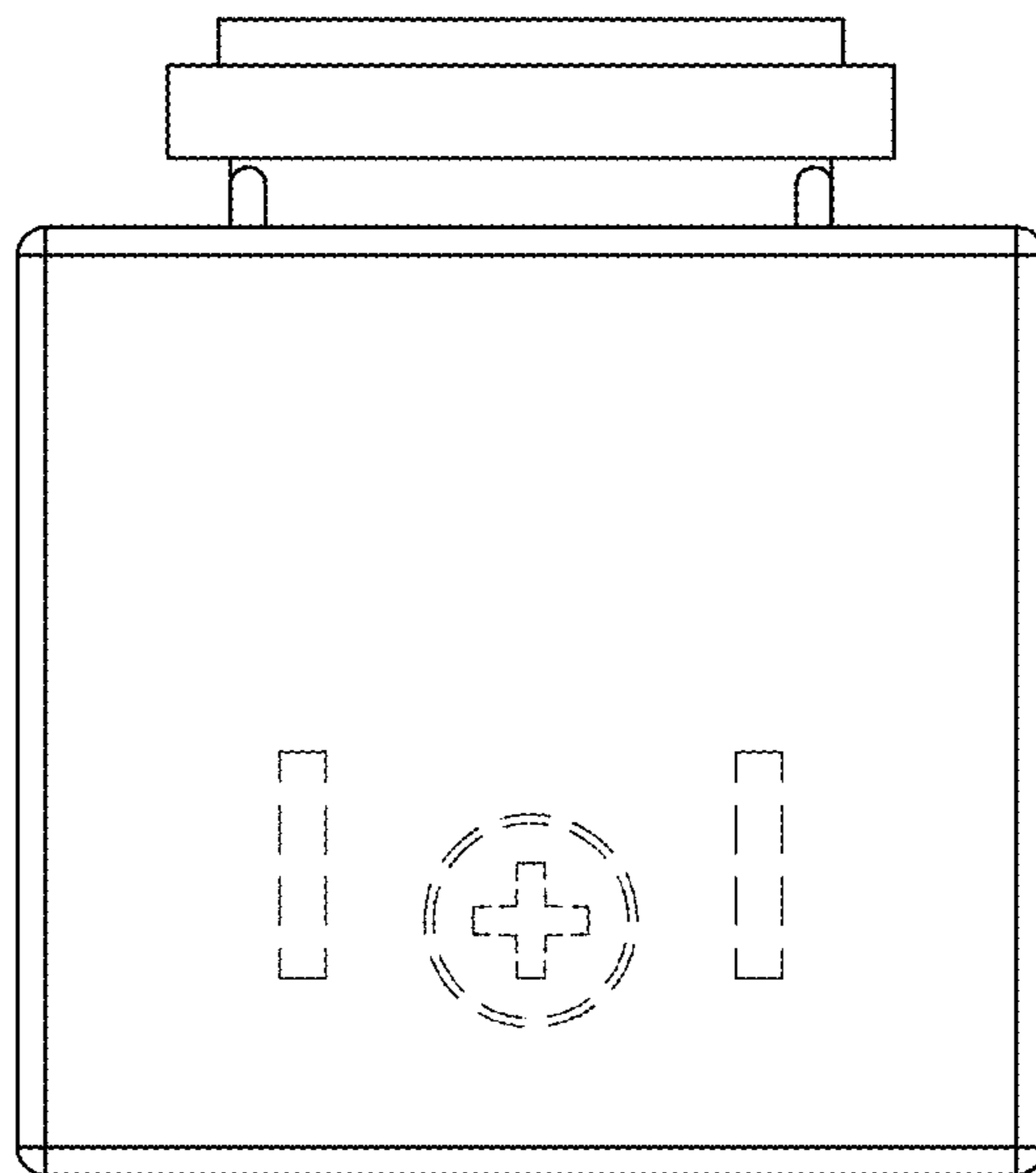


FIG. 7

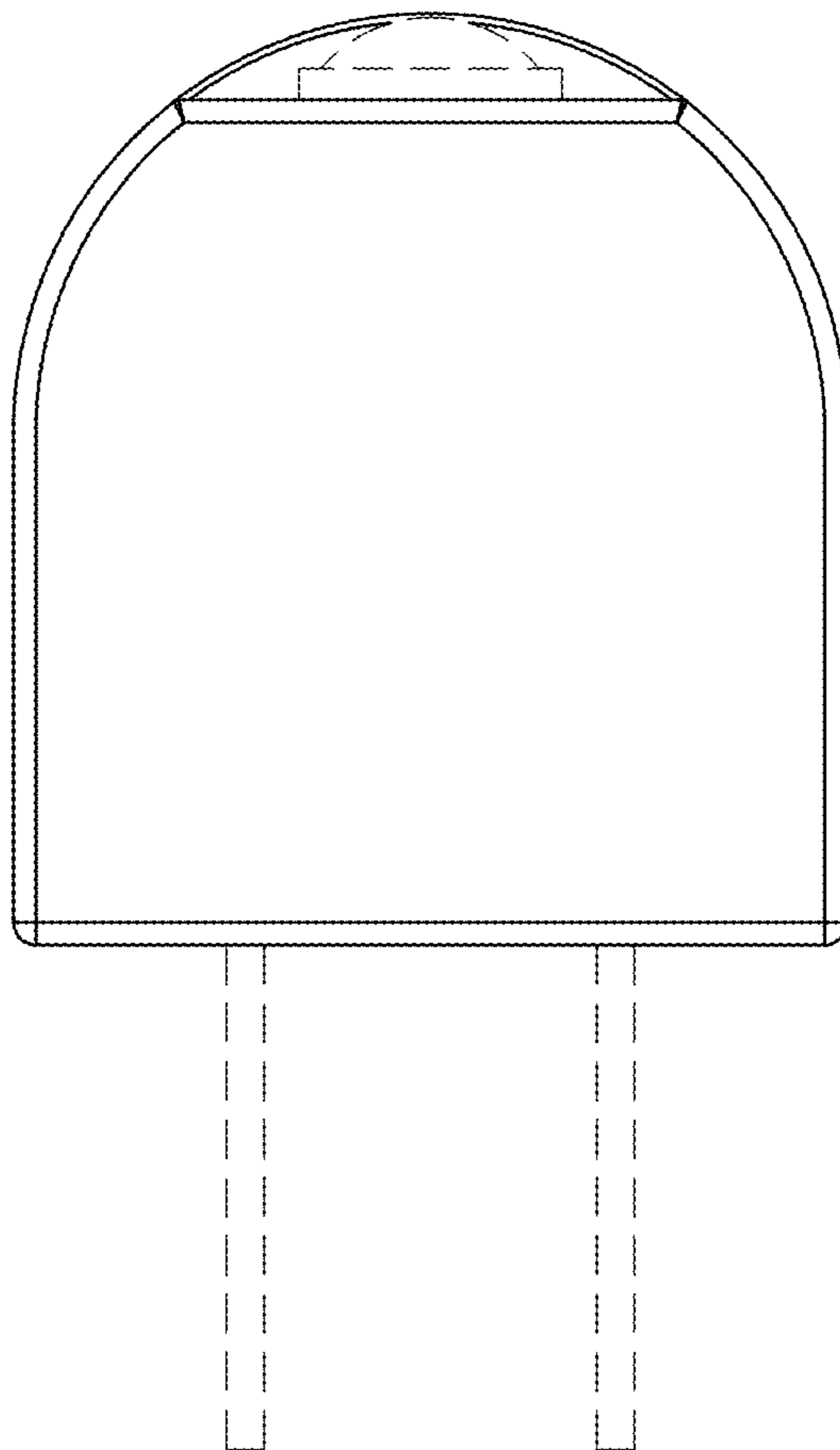


FIG. 8

