



US00D751228S

(12) **United States Design Patent**
Howard et al.

(10) **Patent No.:** **US D751,228 S**
(45) **Date of Patent:** **** *Mar. 8, 2016**

- (54) **LED NIGHT-LIGHT**
- (71) Applicant: **Mary Elle Fashions, Inc.**, Maryland Heights, MO (US)
- (72) Inventors: **Kenneth Howard**, Creve Couer, MO (US); **James Riley**, St. Louis, MO (US); **Matthew Smith**, Maryland Heights, MO (US); **Gavin Perry**, St. Louis, MO (US)
- (73) Assignee: **Mary Elle Fashions, Inc.**, Maryland Heights, MO (US)
- (*) Notice: This patent is subject to a terminal disclaimer.
- (**) Term: **14 Years**
- (21) Appl. No.: **29/441,006**
- (22) Filed: **Dec. 29, 2012**
- (51) **LOC (10) Cl.** **26-05**
- (52) **U.S. Cl.**
USPC **D26/26; D26/113**
- (58) **Field of Classification Search**
USPC D26/1, 2, 5-7, 24, 26, 28, 34, 50, 51, D26/72-74, 81-85, 87-89, 92, 93, 113, D26/118-120; 362/23.01, 216, 249.02, 362/249.03, 249.07, 277, 285, 310, 362, 362/372, 640-653; D11/222-228; D10/118
See application file for complete search history.

4,343,032	A *	8/1982	Schwartz	D26/26
D291,125	S *	7/1987	Fenne	D26/26
4,714,984	A *	12/1987	Spector	362/641
5,263,577	A *	11/1993	Paratte et al.	206/38.1
5,339,231	A *	8/1994	Parsolano et al.	362/641
5,683,254	A *	11/1997	Lin	362/641
D393,084	S *	3/1998	Hergert	D26/26
D393,912	S *	4/1998	Yuen	D26/26
D397,814	S *	9/1998	Pun	D26/26
D404,673	S *	1/1999	Gordon et al.	D10/118
6,093,028	A *	7/2000	Yang	362/641

(Continued)

Primary Examiner — Garth Rademaker
Assistant Examiner — Llorellys Martinez-Rivera
(74) *Attorney, Agent, or Firm* — Senniger Powers LLP

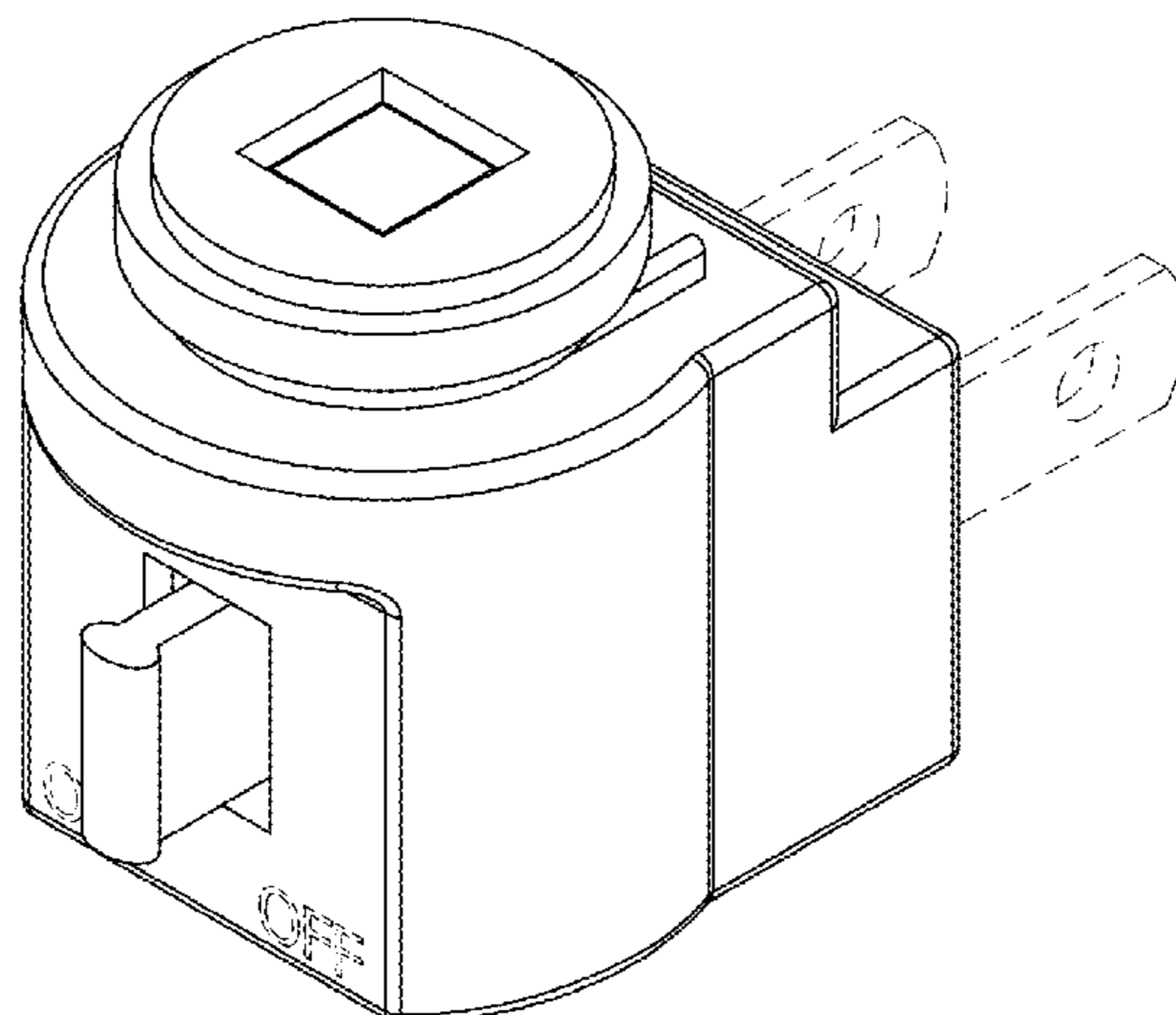
(57) **CLAIM**
The ornamental design for an LED night-light, as shown and described.

DESCRIPTION

FIG. 1 is a perspective view of an LED night-light showing the present invention;
FIG. 2 is a perspective view of the LED night-light of FIG. 1 with an optional lens shown in broken lines;
FIG. 3 is a front view of the LED night-light of FIG. 1;
FIG. 4 is a right side view of the LED night-light of FIG. 1;
FIG. 5 is a top plan view of the LED night-light of FIG. 1;
FIG. 6 is a rear view of the LED night-light of FIG. 1;
FIG. 7 is a bottom plan view of the LED night-light of FIG. 1; and,
FIG. 8 is a left side view of the LED night-light of FIG. 1.
The text shown in broken lines in FIGS. 1, 2, and 3 is for illustrative purposes only and is not part of the claimed design.
The broken lines in FIGS. 1 through 8 illustrate portions of the LED night-light that form no part of the claimed design.

1 Claim, 8 Drawing Sheets

- (56) **References Cited**
U.S. PATENT DOCUMENTS
D113,227 S * 2/1939 Jette D11/227
2,905,779 A * 9/1959 Schmier D26/26
3,780,260 A * 12/1973 Elsner 362/641
3,968,355 A * 7/1976 Smallegan 362/642
4,228,389 A * 10/1980 Vennard 320/127



(56)

References Cited

U.S. PATENT DOCUMENTS

D430,945 S *	9/2000	Ham	D26/26	D536,806 S *	2/2007	Yuen	D26/26
D431,660 S *	10/2000	Yuen	D26/26	7,568,829 B2 *	8/2009	Chien	362/641
D460,573 S *	7/2002	Gee, II	D26/26	7,632,004 B2 *	12/2009	Chien	362/641
D471,654 S *	3/2003	Schenck	D26/26	D642,707 S *	8/2011	Kang et al.	D26/26
D500,152 S *	12/2004	Stekelenburg	D26/2	8,215,820 B2 *	7/2012	Howard et al.	362/641
6,843,656 B2 *	1/2005	Hwang et al.	439/11	8,371,740 B2 *	2/2013	Pestl et al.	362/643
6,926,426 B2 *	8/2005	Currie et al.	362/147	D678,561 S *	3/2013	Rugendyke et al.	D26/26
6,955,441 B1 *	10/2005	Chen	362/641	8,425,105 B2 *	4/2013	Yang	362/641
D523,972 S *	6/2006	Chan	D26/26	2004/0246704 A1 *	12/2004	Burdick	362/800
D524,456 S *	7/2006	Yuen	D26/26	2006/0007709 A1 *	1/2006	Yuen	362/641
D524,457 S *	7/2006	Chan	D26/26	2006/0221617 A1 *	10/2006	Chien	362/311
D524,458 S *	7/2006	Chan	D26/26	2007/0076440 A1 *	4/2007	Chien	362/643
7,114,821 B2 *	10/2006	Currie et al.	362/641	2007/0253222 A1 *	11/2007	Driska et al.	362/641
					2010/0290254 A1 *	11/2010	Howard et al.	362/641
					2012/0275194 A1 *	11/2012	Howard et al.	362/641

* cited by examiner

FIG. 1

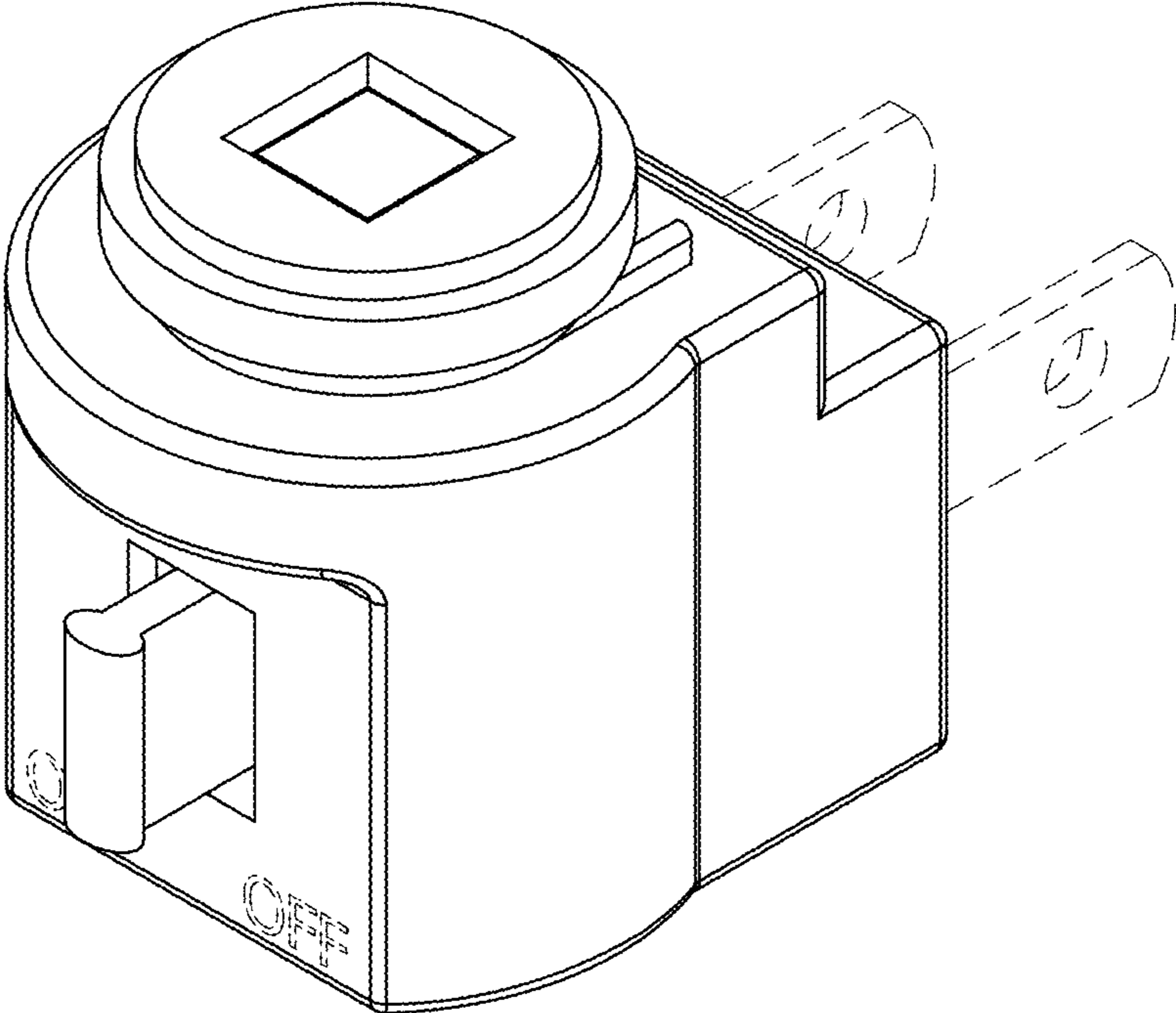


FIG. 2

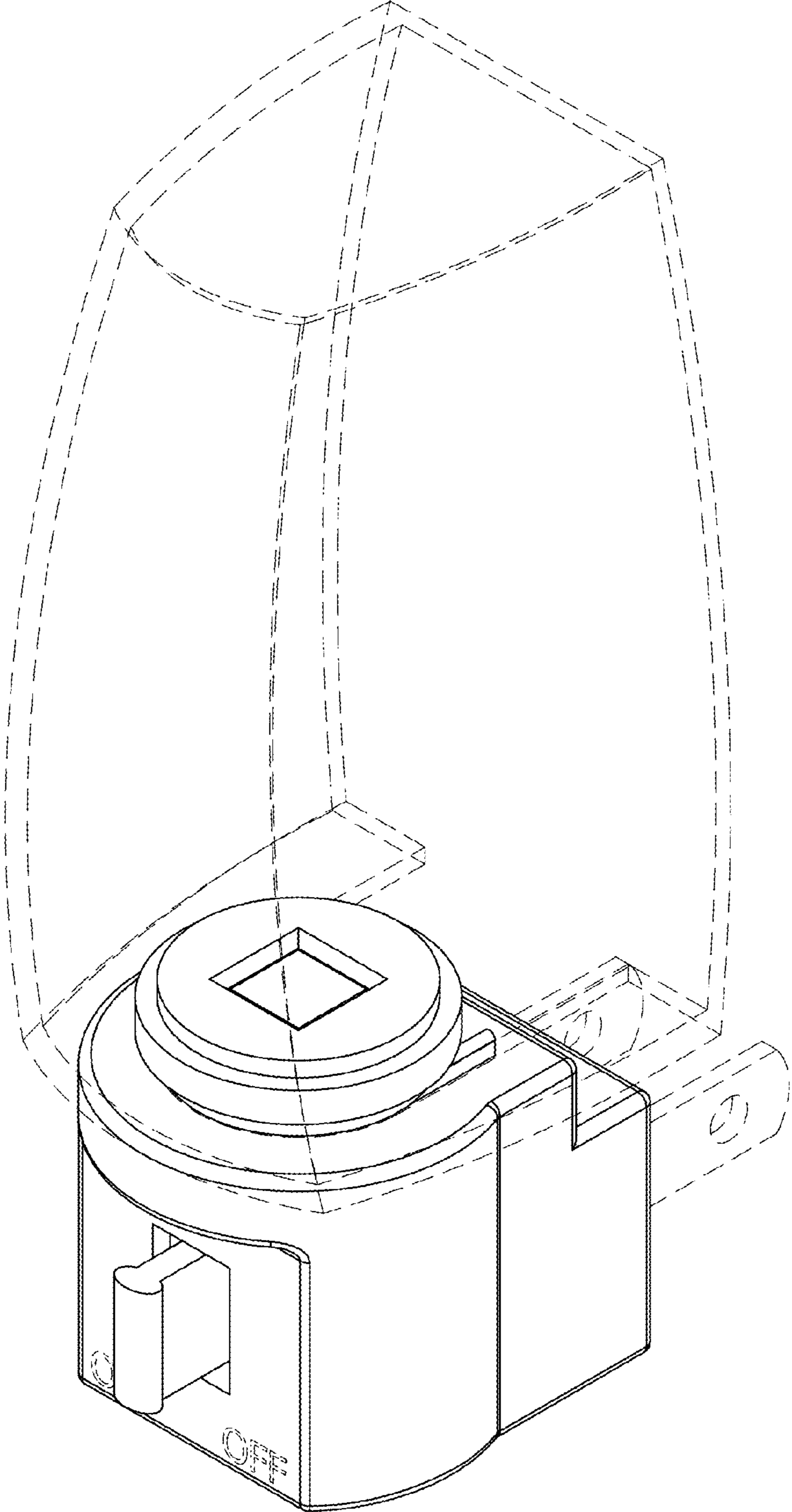


FIG. 3

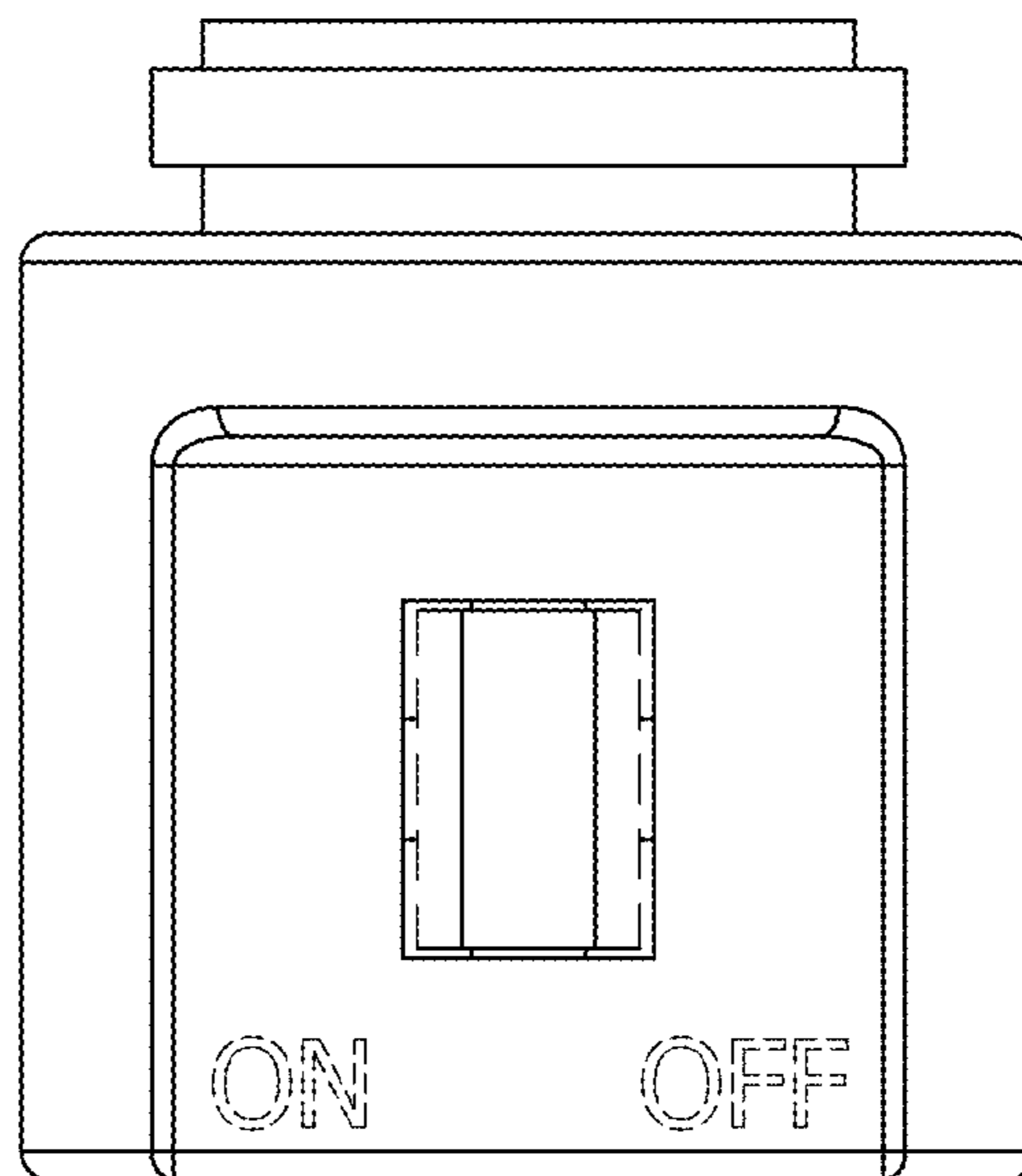


FIG. 4

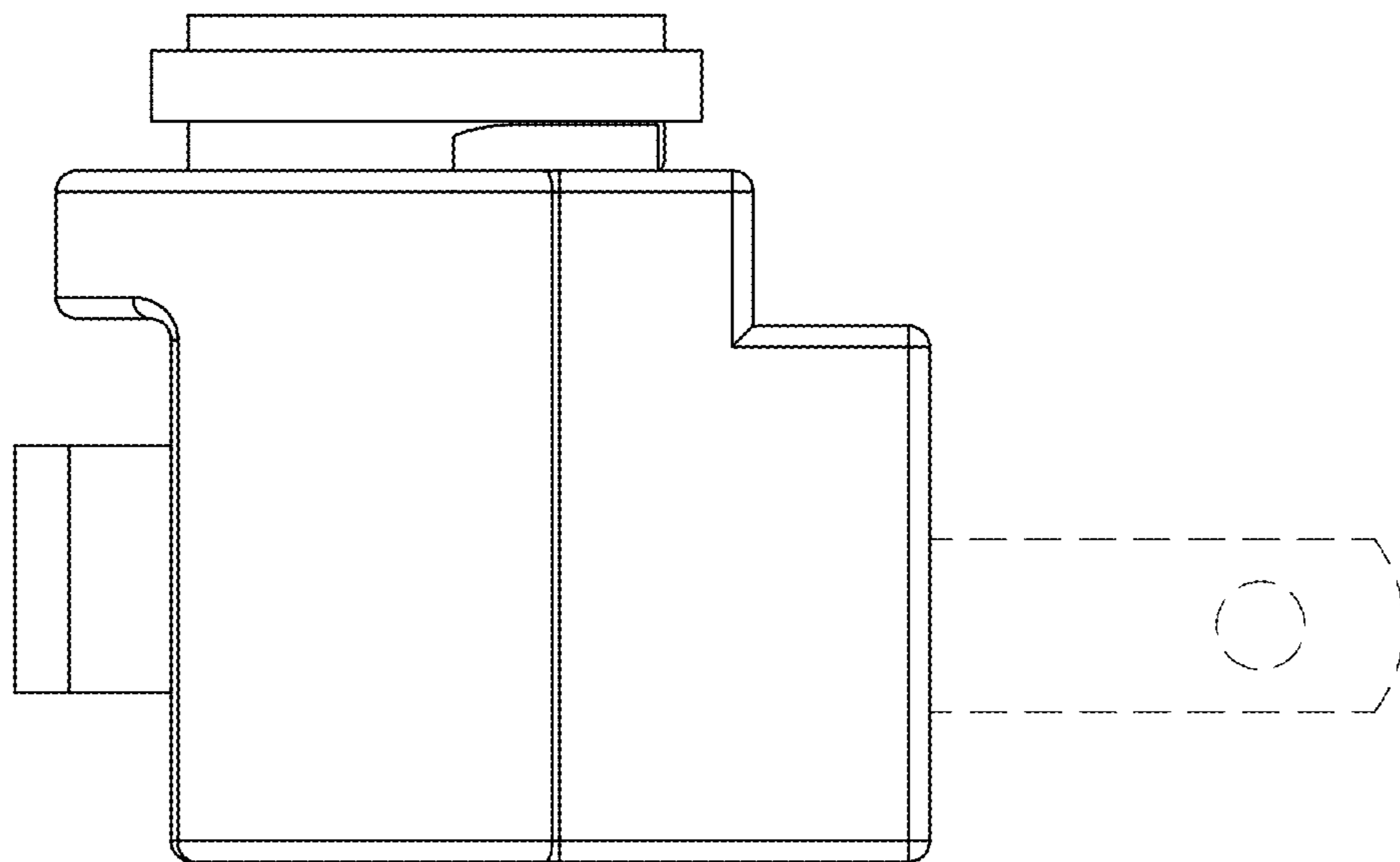


FIG. 5

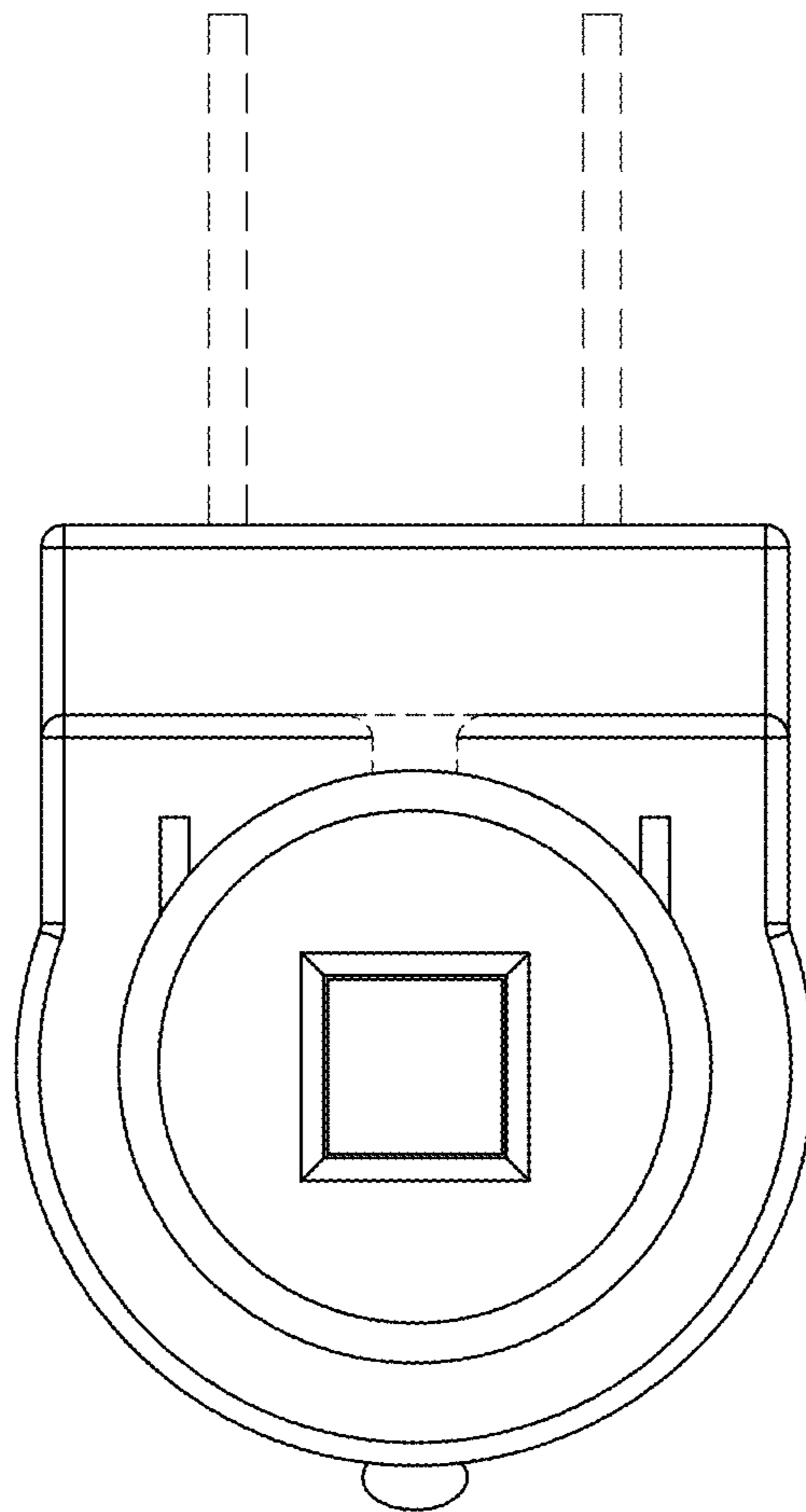


FIG. 6

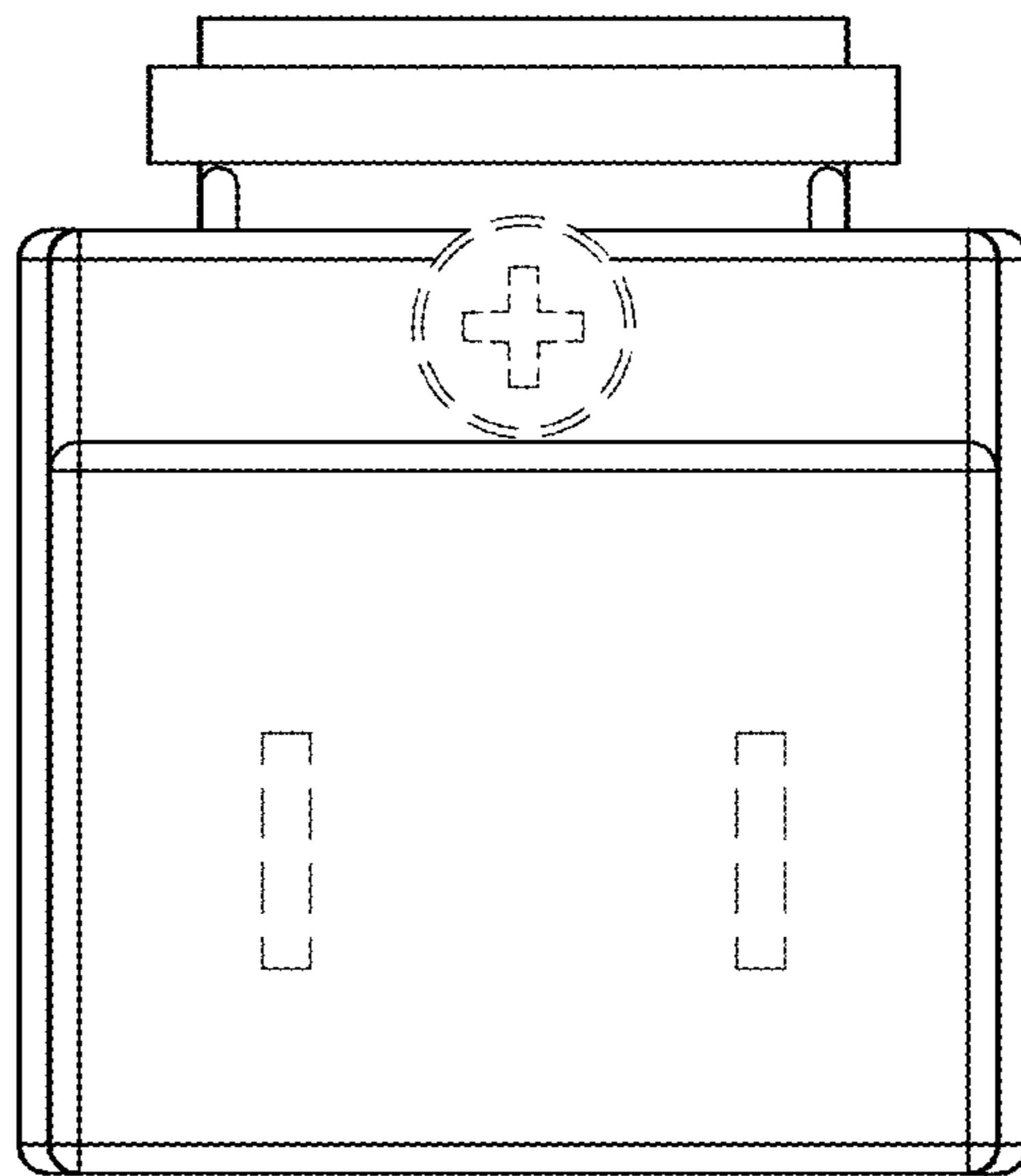


FIG. 7

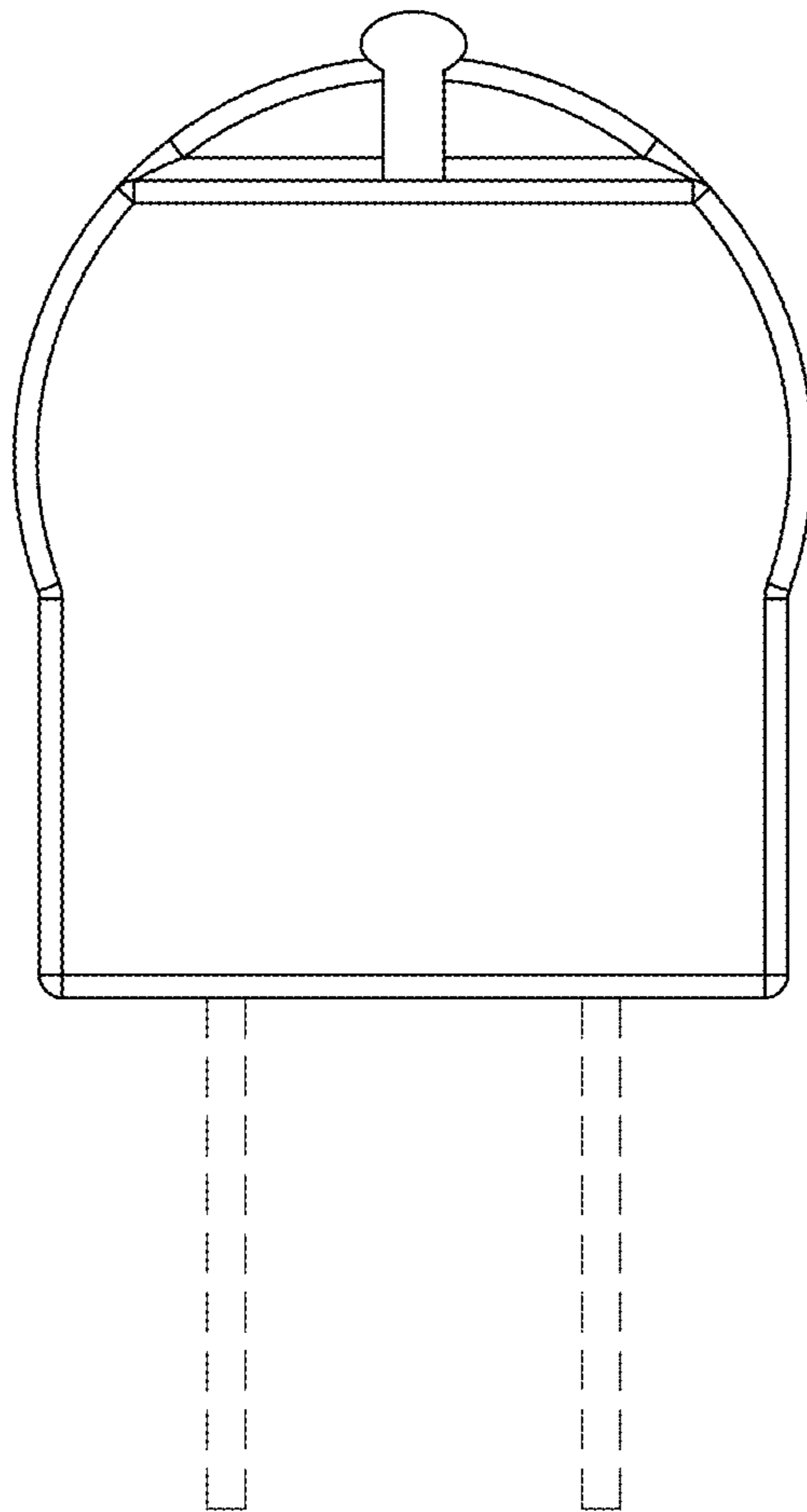


FIG. 8

