



US00D751227S

(12) **United States Design Patent**
Shum et al.

(10) **Patent No.:** **US D751,227 S**
(45) **Date of Patent:** **** Mar. 8, 2016**

(54) **FLOOD LAMP**

D610,275 S * 2/2010 Cho D26/2
D612,956 S * 3/2010 Moon D26/2
D613,433 S * 4/2010 Moon D26/2
D687,985 S * 8/2013 Tu D26/2

(71) Applicant: **SORAA, INC.**, Fremont, CA (US)

(72) Inventors: **Frank Shum**, Sunnyvale, CA (US);
Ronald Van Thiel, Menlo Park, CA
(US); **James Juma**, Fremont, CA (US)

* cited by examiner

(73) Assignee: **Soraa, Inc.**, Fremont, CA (US)

Primary Examiner — Marcus Jackson

(74) *Attorney, Agent, or Firm* — Saul Ewing LLP; Stephen J. Driscoll

(**) Term: **14 Years**

(57) **CLAIM**

(21) Appl. No.: **29/490,770**

The ornamental design for flood lamp, as shown and described.

(22) Filed: **May 13, 2014**

(51) **LOC (10) Cl.** **26-04**

(52) **U.S. Cl.**
USPC **D26/2**

(58) **Field of Classification Search**
USPC D26/1-4; 313/313, 315, 316, 317, 318,
313/493; 315/52, 53, 56, 57, 58
See application file for complete search history.

DESCRIPTION

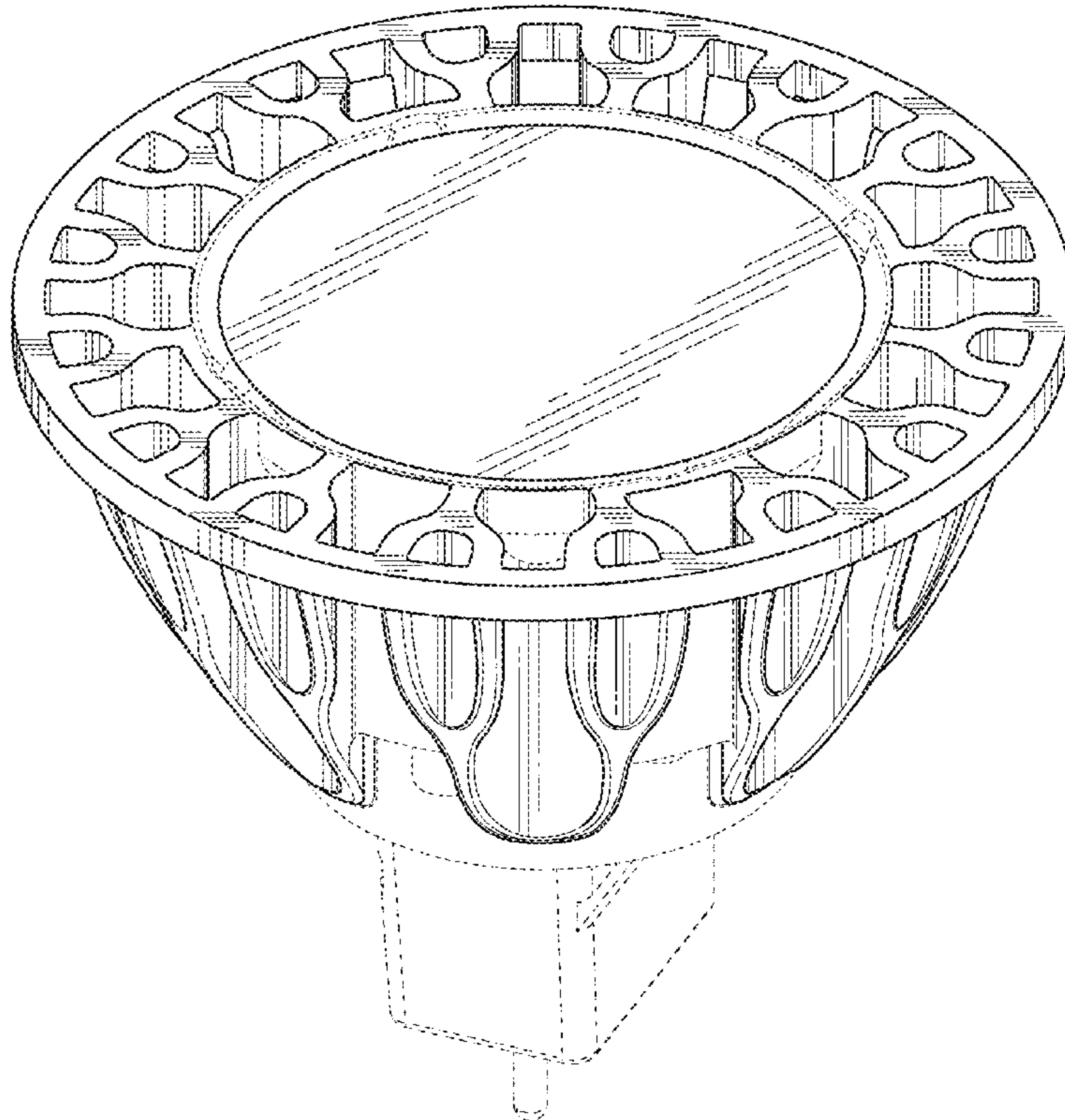
FIG. 1 is a perspective view of a flood lamp showing a second embodiment of our new design;
FIG. 2 is a side elevational view from a front side thereof;
FIG. 3 is a side elevational view from a rear side thereof;
FIG. 4 is a side elevational view from a left side thereof;
FIG. 5 is a side elevational view from a right side thereof;
FIG. 6 is a top plan view thereof; and,
FIG. 7 is a bottom plan view thereof.
The broken lines in the figures represent unclaimed subject matter and form no part of the claimed design.

(56) **References Cited**

U.S. PATENT DOCUMENTS

D592,766 S * 5/2009 Zhu et al. D26/2
D607,587 S * 1/2010 Ko D26/2

1 Claim, 7 Drawing Sheets



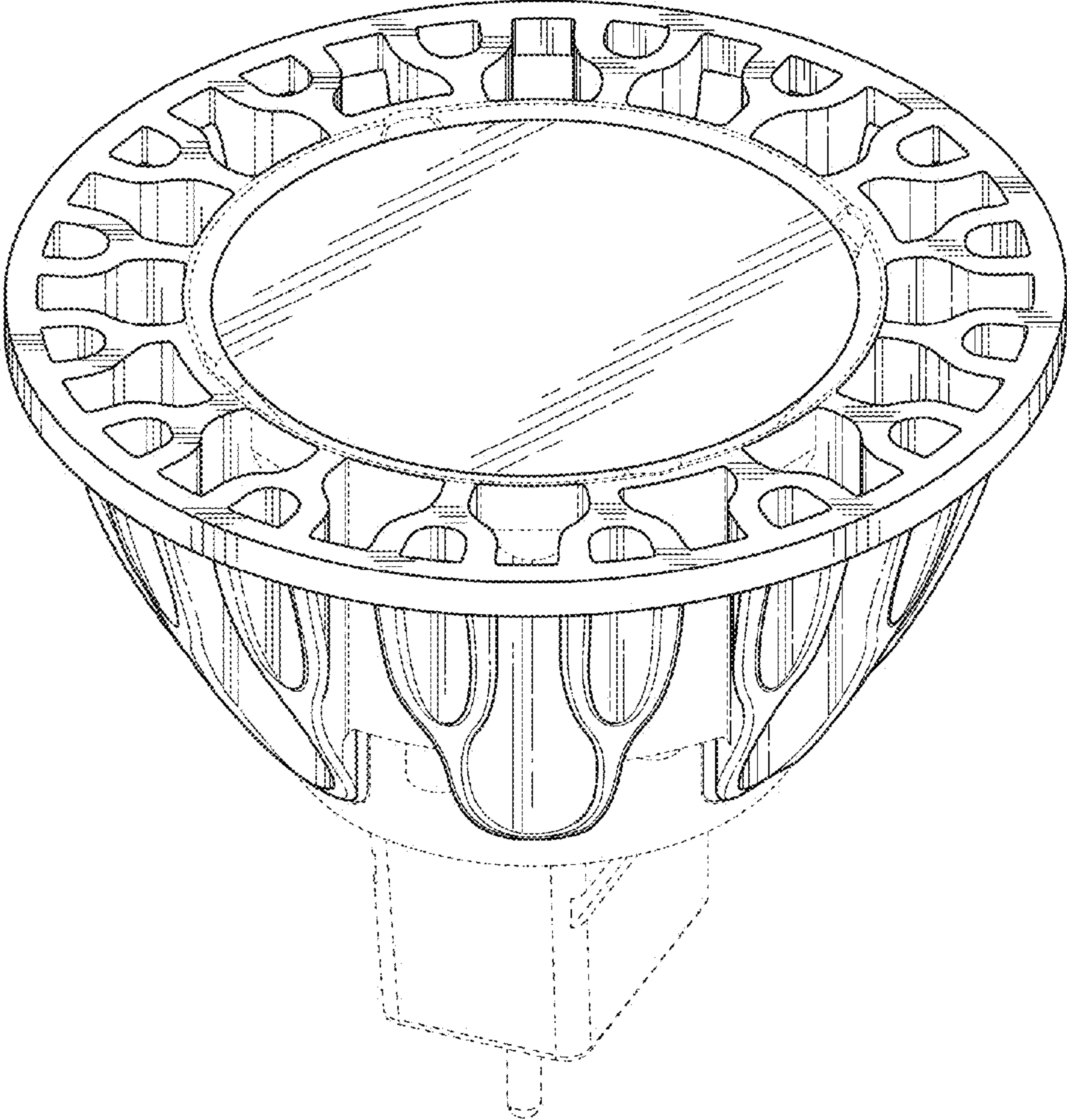


FIG. 1

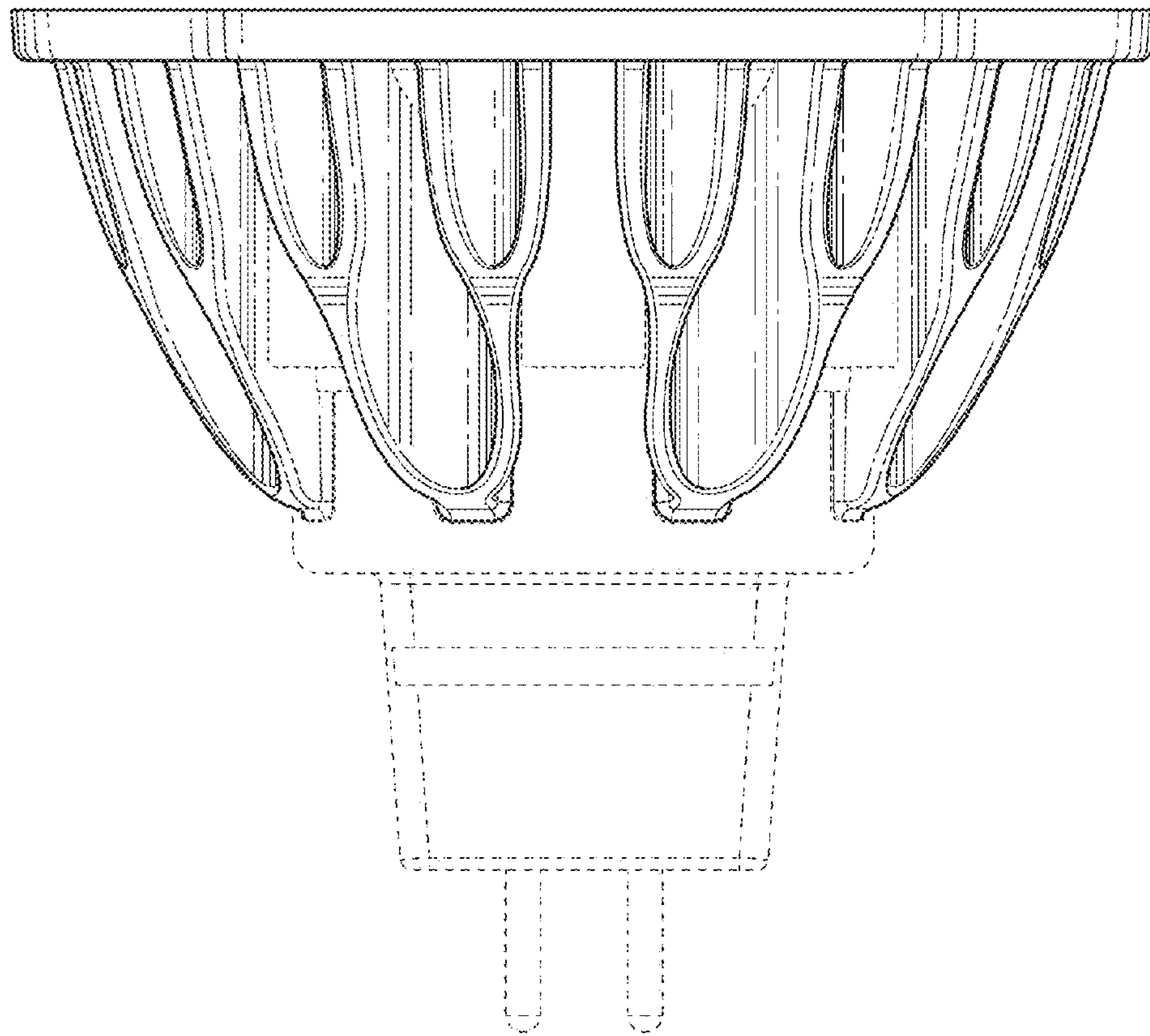


FIG. 2

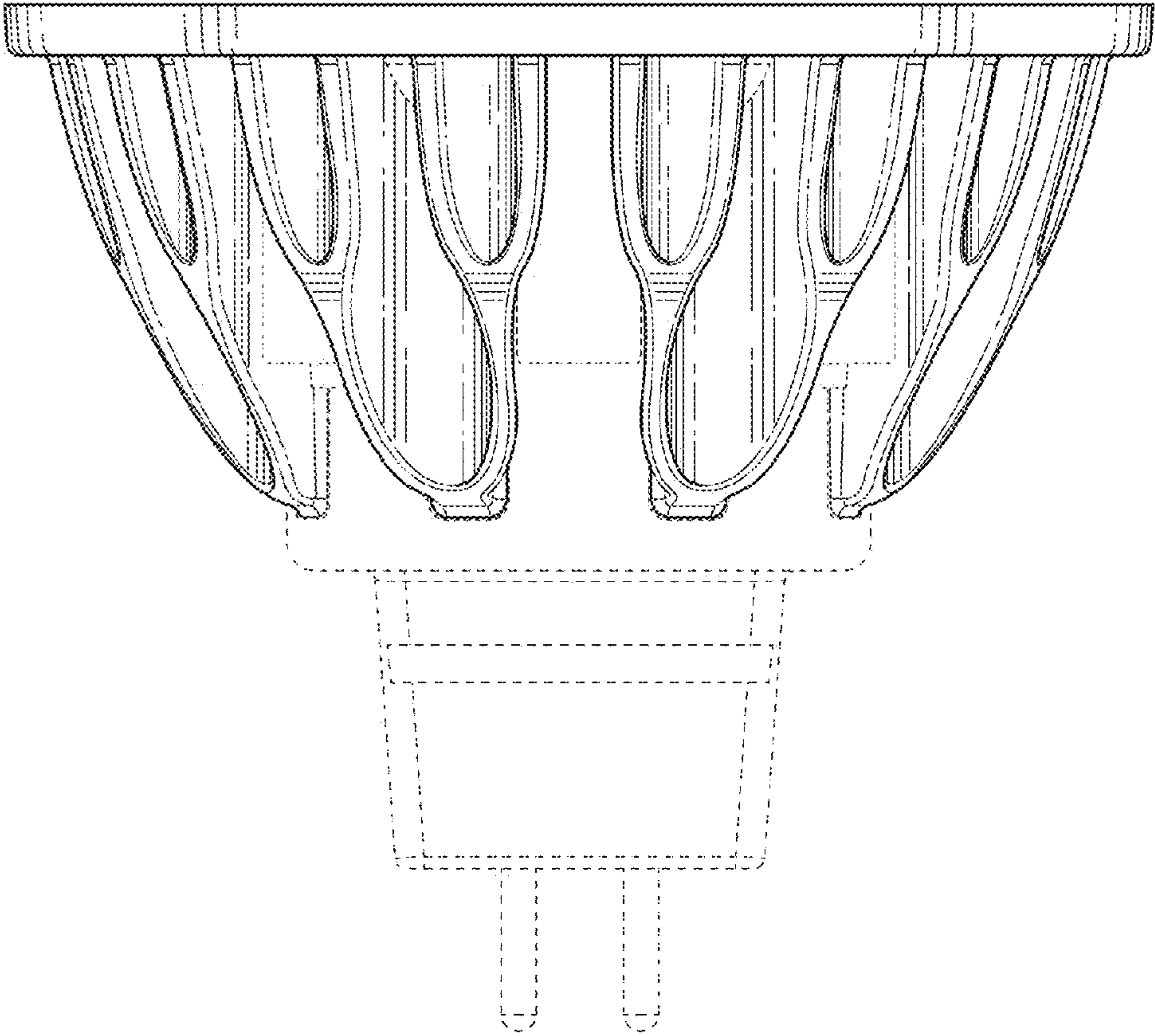


FIG. 3

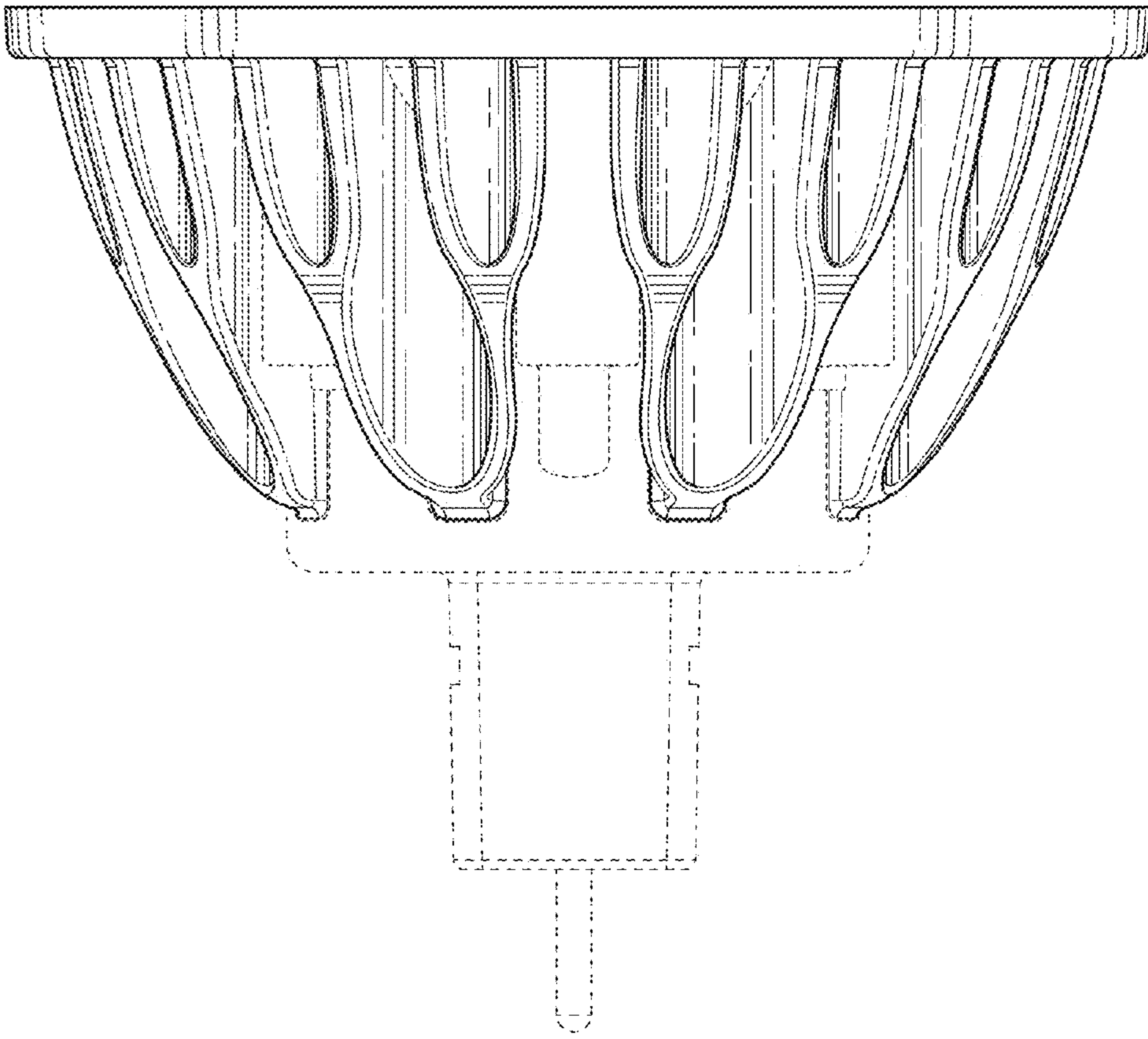


FIG. 4

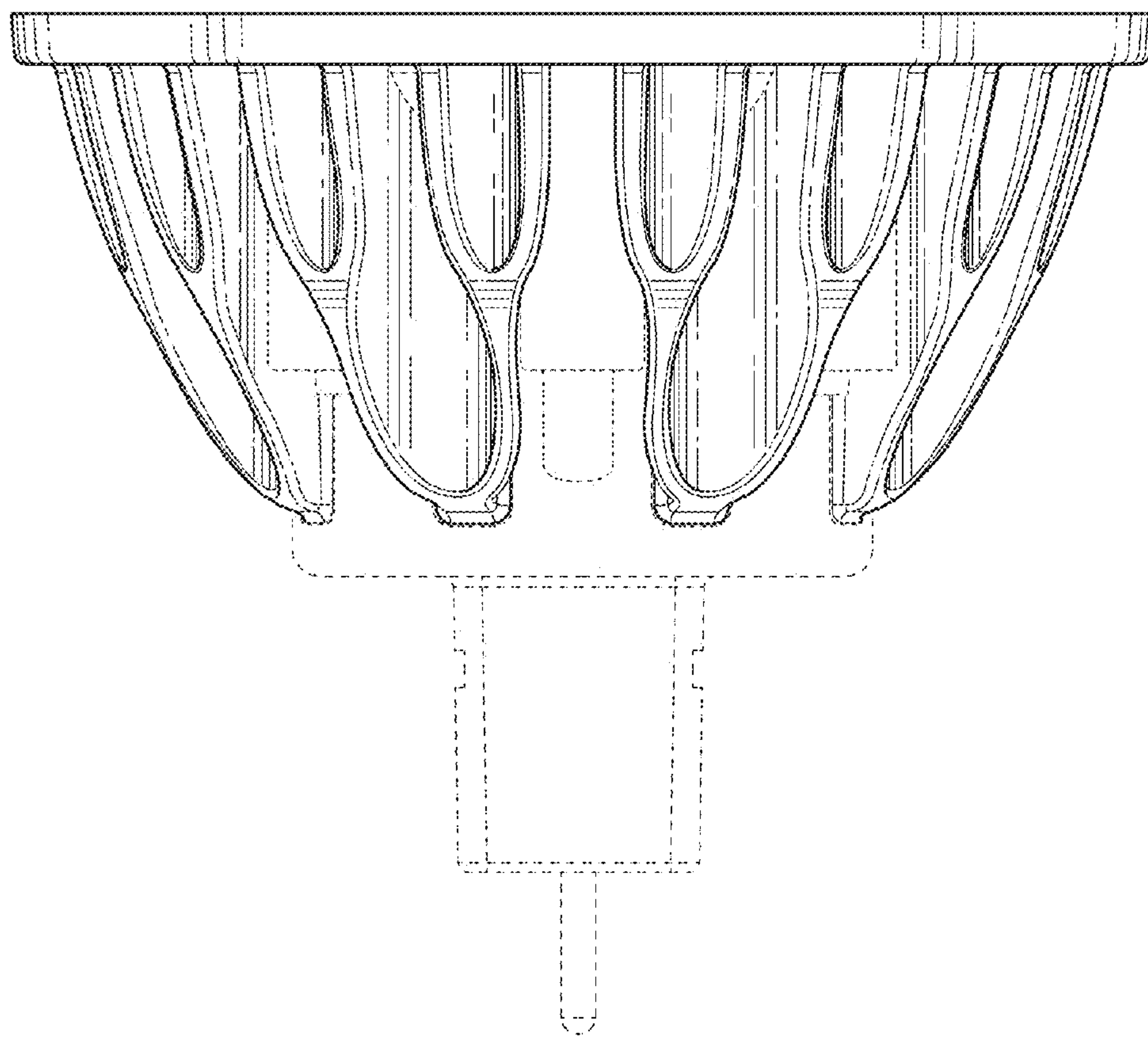


FIG. 5

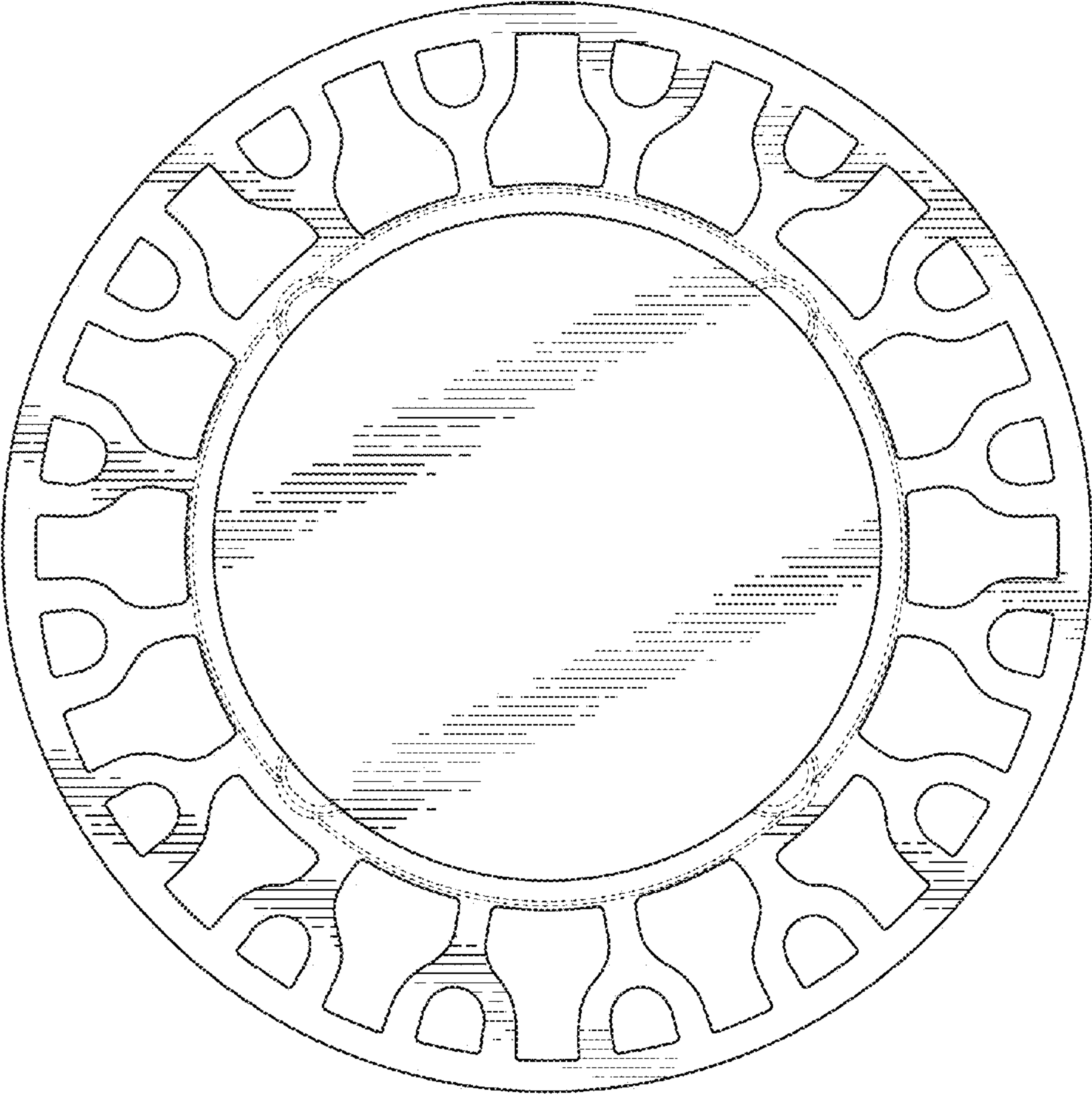


FIG. 6

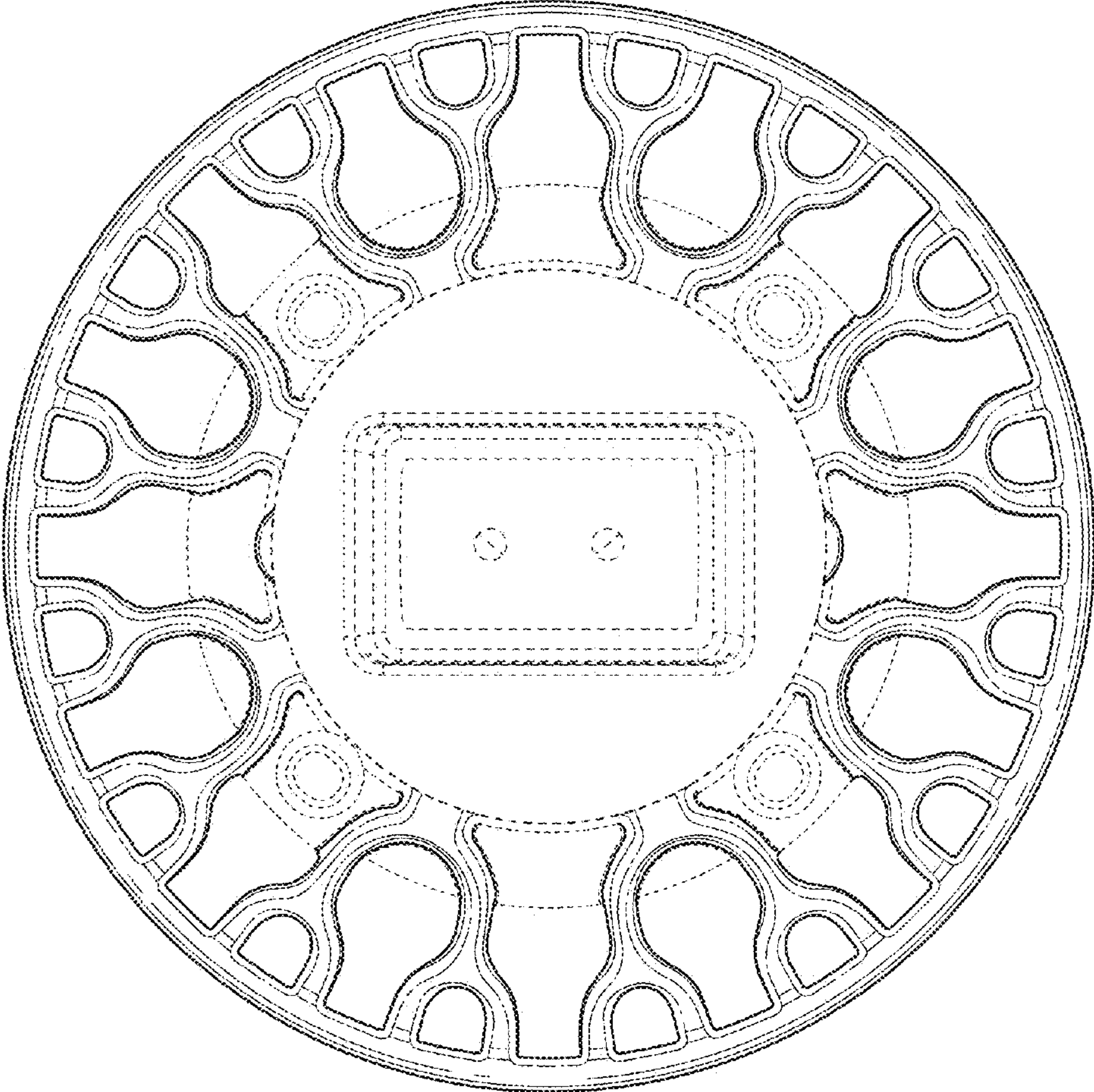


FIG. 7