



US00D751223S

(12) **United States Design Patent**
Muxlow

(10) **Patent No.:** **US D751,223 S**
(45) **Date of Patent:** **** Mar. 8, 2016**

- (54) **WALL PROTECTION BOARD**
 - (71) Applicant: **Garland Industries, Inc.**, Cleveland, OH (US)
 - (72) Inventor: **Davy Paul Muxlow**, Burbank, CA (US)
 - (73) Assignee: **Garland Industries, Inc.**, Cleveland, OH (US)
 - (**) Term: **14 Years**
 - (21) Appl. No.: **29/497,796**
 - (22) Filed: **Jul. 29, 2014**
 - (51) **LOC (10) Cl.** **25-01**
 - (52) **U.S. Cl.**
USPC **D25/138**
 - (58) **Field of Classification Search**
USPC D25/138
CPC ... E04F 19/161; E04F 19/064; E04F 13/0828; E04F 13/0862; E04F 21/053; E04F 19/04; E04F 19/0436; E04F 19/02; E04F 19/0495; E04F 19/062; E04F 19/0486; E04F 13/075; E04F 13/072; E04F 15/02; E04B 2002/867; E04B 2002/725; E04B 2002/7446; E04B 2001/3282; E04B 2/962; E04B 2002/7418; E04B 2002/742; E04B 2002/8676; E04B 2002/74; E04B 2/90; E04B 2/828; E04B 2/76; E04B 1/2403; E04B 2002/028; E04B 2002/0282; E06B 2003/6291; E06B 2003/6294; E06B 1/00; E04G 21/30; E04G 21/245; E04G 21/248; E04G 21/241
- See application file for complete search history.

- (56) **References Cited**
U.S. PATENT DOCUMENTS
3,736,904 A * 6/1973 Kus E04G 21/30
118/505
D636,097 S * 4/2011 Seitner D25/138
2008/0283719 A1* 11/2008 Lowry E04C 2/365
248/615
2009/0077901 A1* 3/2009 Brooks B05B 15/0456
52/3
2014/0157712 A1* 6/2014 Wells E04F 15/02
52/588.1

* cited by examiner

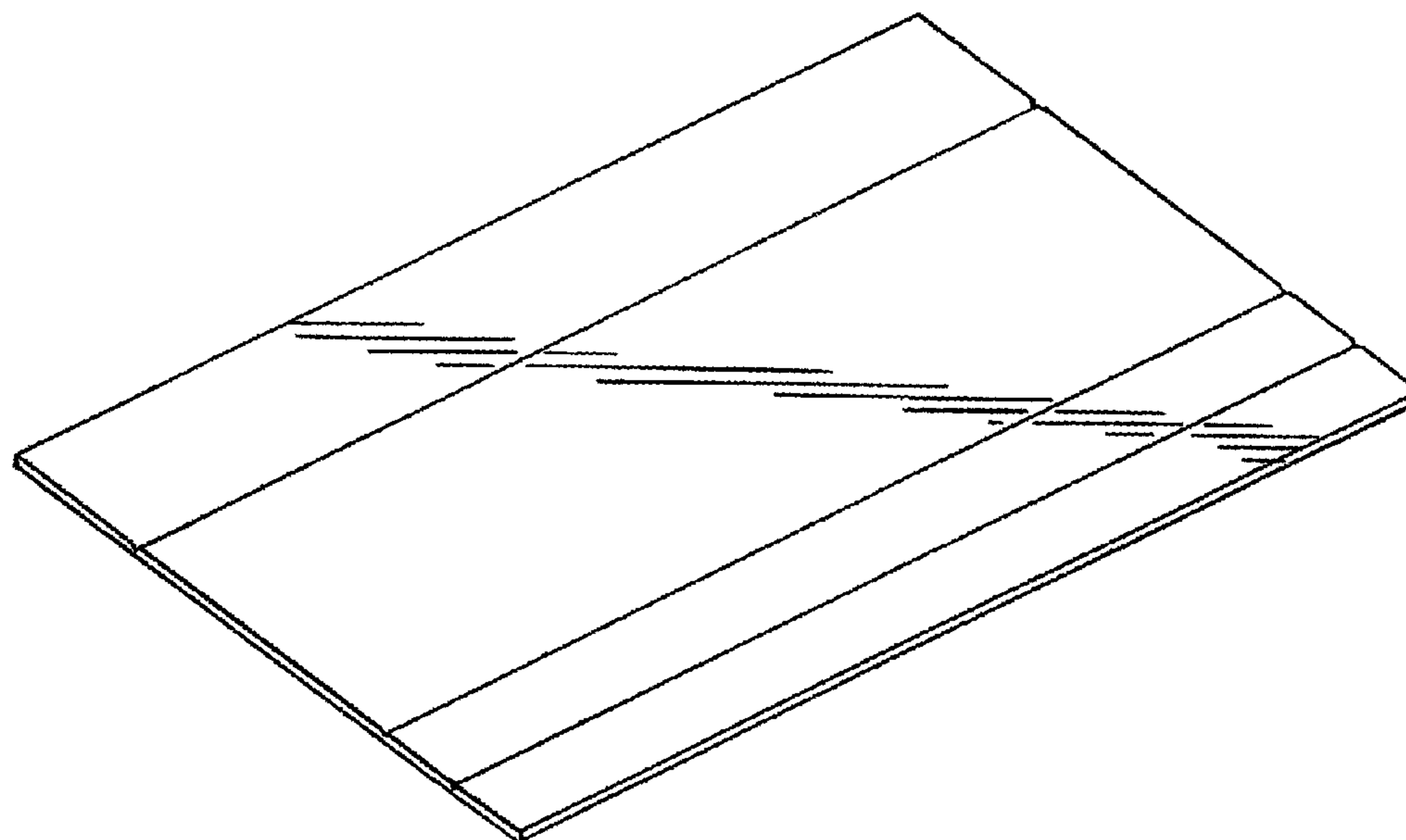
Primary Examiner — Doris Clark
(74) *Attorney, Agent, or Firm* — Fay Sharpe LLP

(57) **CLAIM**
The ornamental design for the wall protection board, as shown and described.

DESCRIPTION

FIG. 1 is a top perspective view of the wall protection board is an unbent state;
FIG. 2 is a top plan view of the wall protection board of FIG. 1;
FIG. 3 is a side view of the wall protection board of FIG. 1;
FIG. 4 is an opposite side view of the wall protection board of FIG. 1;
FIG. 5 is a front end view of the wall protection board of FIG. 1;
FIG. 6 is a rear end view of the wall protection board of FIG. 1;
FIG. 7 is a bottom plan view of the wall protection board of FIG. 1; and,
FIG. 8 is a top perspective view of the wall protection board of FIG. 1 wherein one side is in a bent state and the other side is in an unbent state.

1 Claim, 3 Drawing Sheets



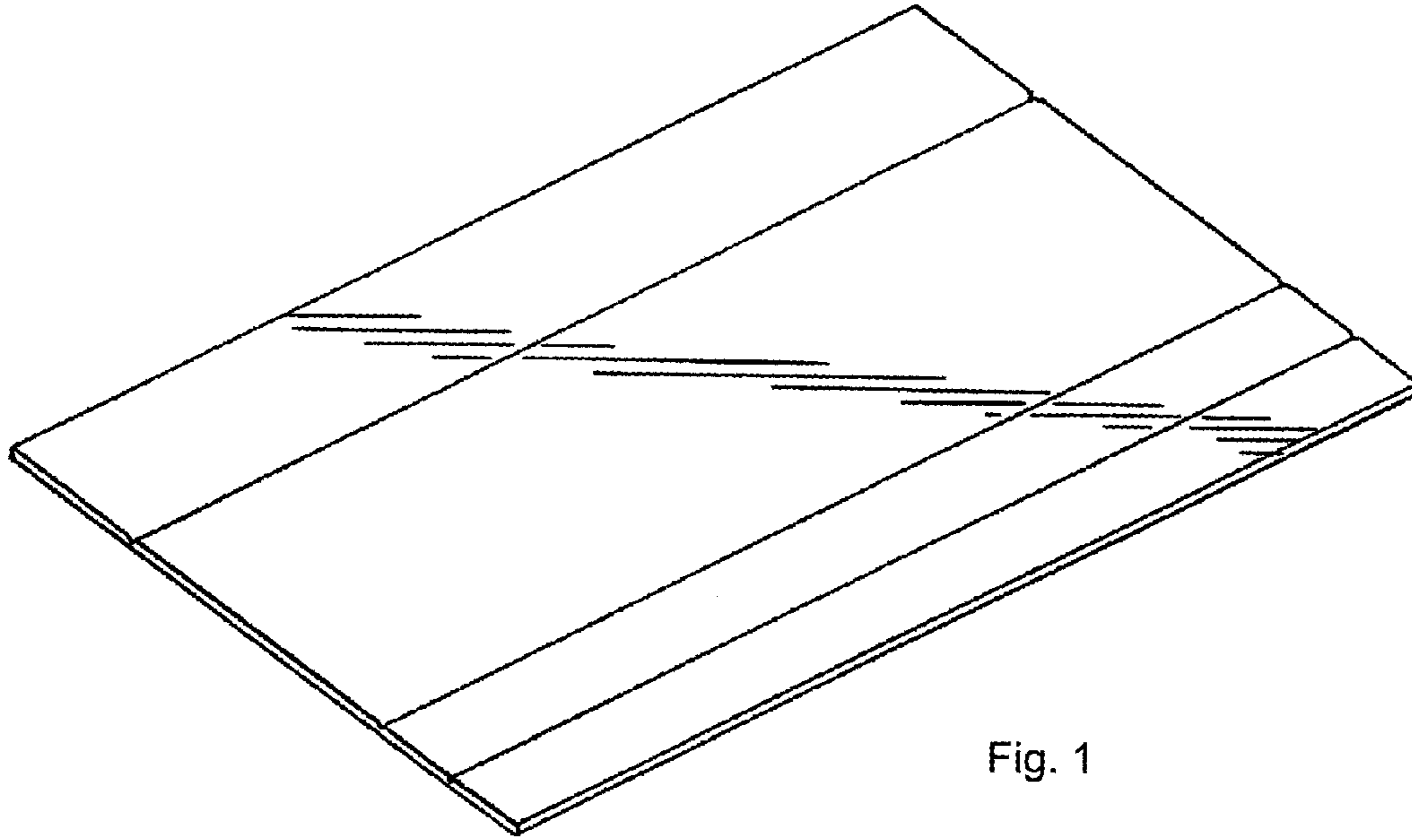


Fig. 1

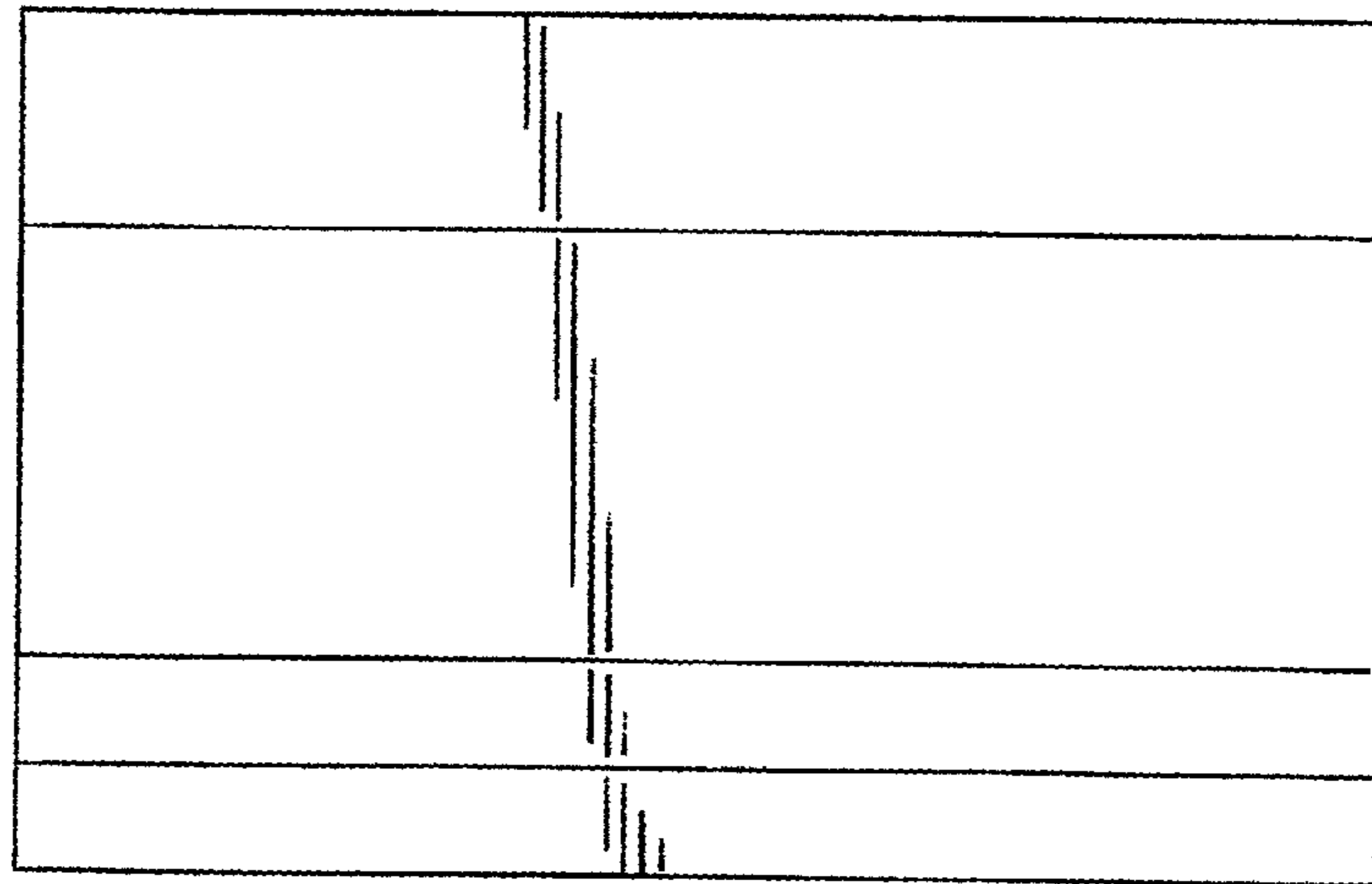


Fig. 2

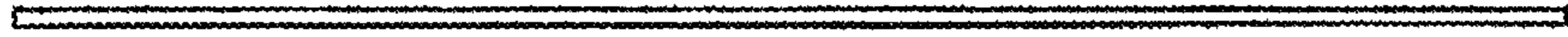


Fig. 3

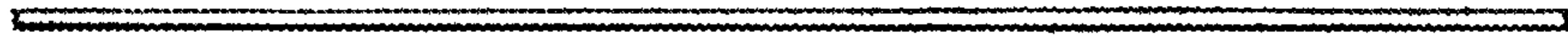


Fig. 4

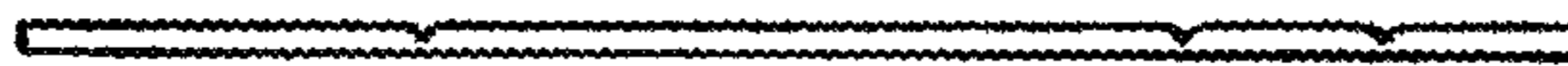


Fig. 5

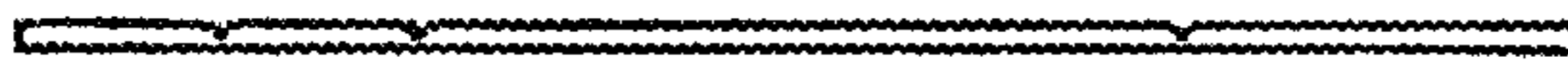


Fig. 6

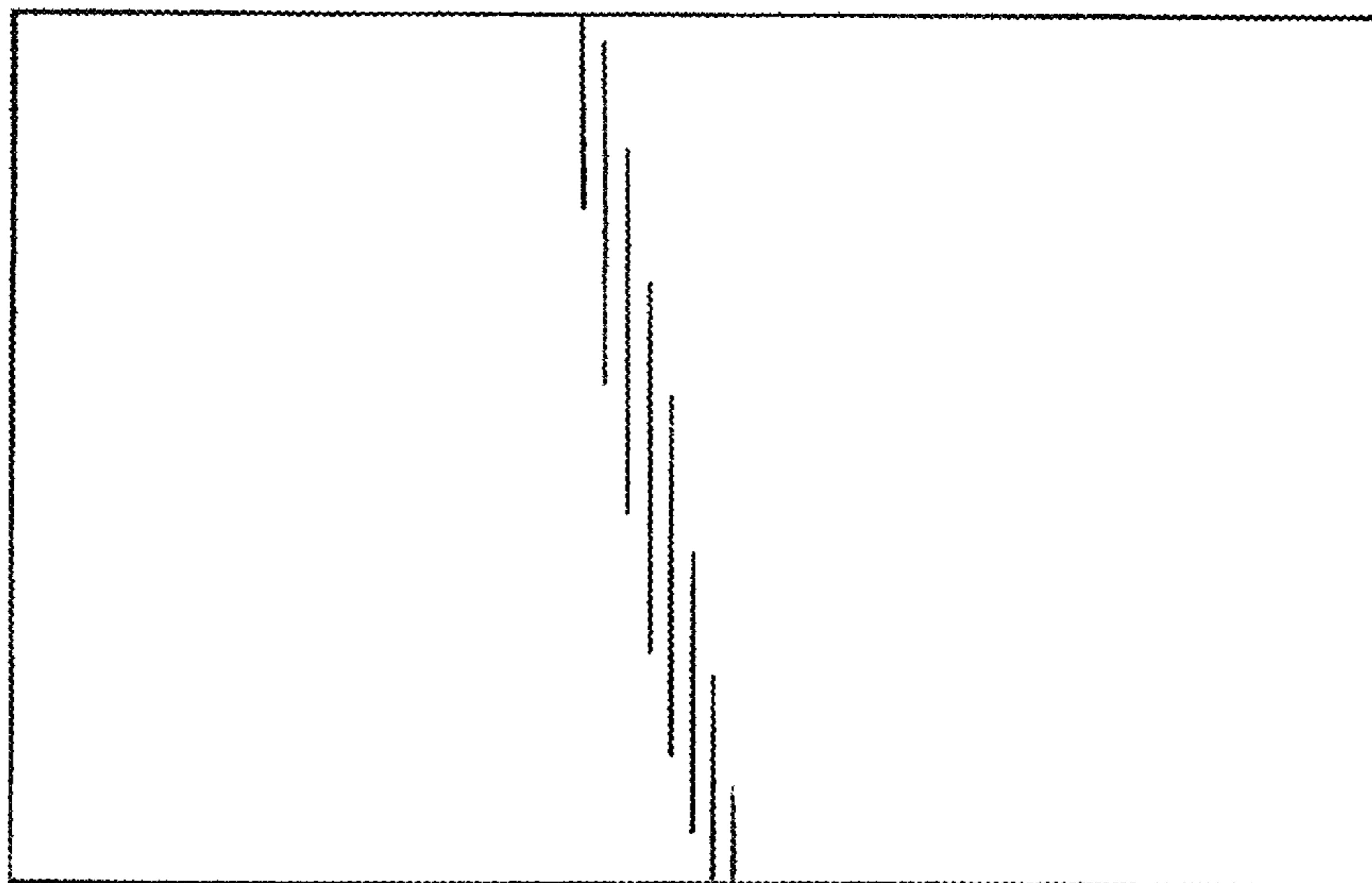


Fig. 7

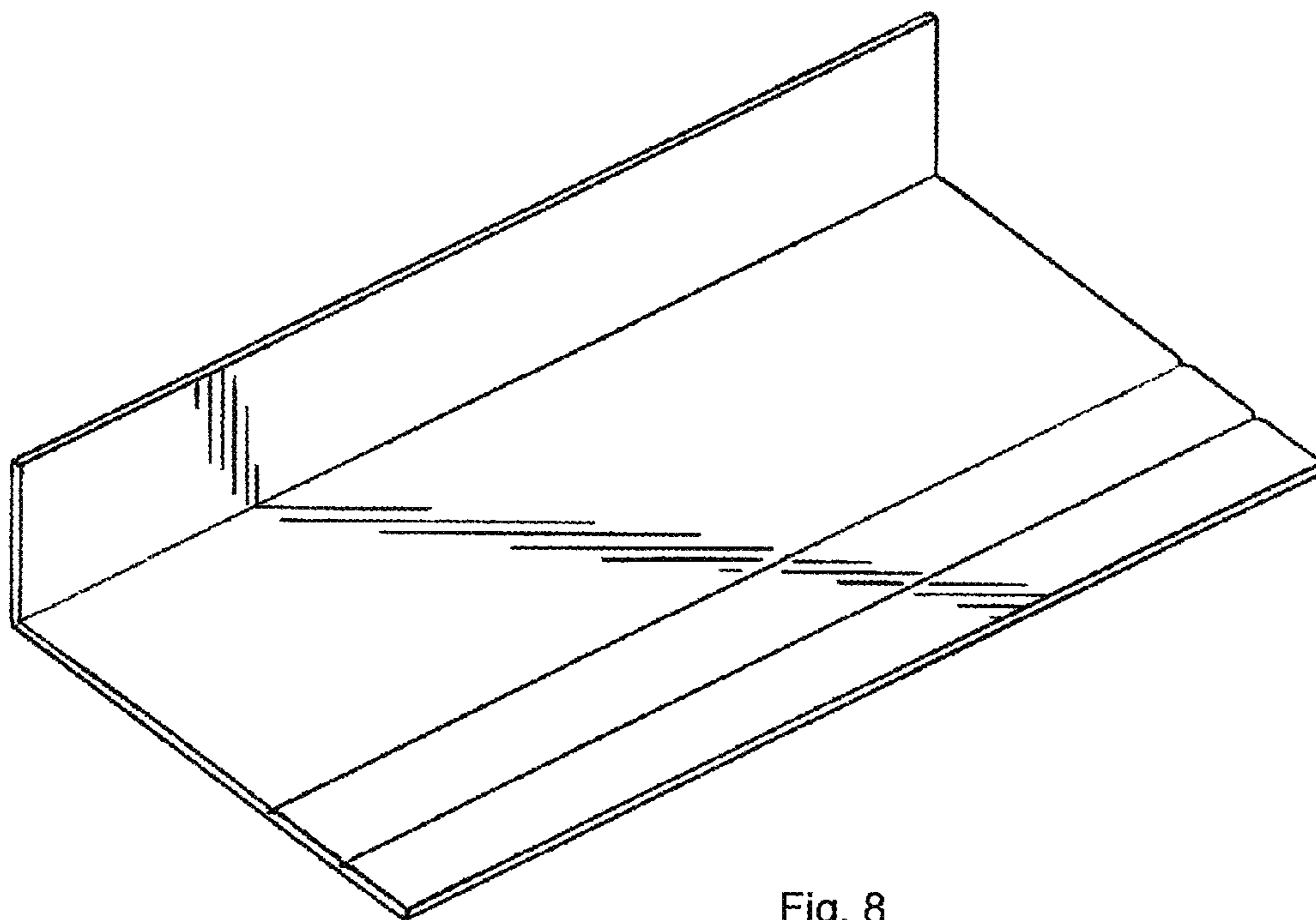


Fig. 8