



US00D751222S

(12) **United States Design Patent**
Darr, III et al.

(10) **Patent No.:** **US D751,222 S**
(45) **Date of Patent:** **** Mar. 8, 2016**

(54) **FRAMING MEMBER**

(71) Applicant: **Clarkwestern Dietrich Building Systems LLC**, West Chester, OH (US)
(72) Inventors: **Leslie Rogers Darr, III**, Hoschton, GA (US); **Jeremy Ryan Smith**, Miami, FL (US); **Michael Francis Cavanaugh**, Hampstead, NH (US); **Terry Robert Westerman**, Loveland, OH (US); **James Michael Wielinga**, West Chester, OH (US); **Gregory S. Ralph**, Springboro, OH (US); **Nagaraj Eshwar**, Mason, OH (US); **Thomas J. Lawson**, West Chester, OH (US); **David Lee Keebler**, Dade City, FL (US)

(73) Assignee: **CLARKWESTERN DIETRICH BUILDING SYSTEMS LLC**, West Chester, OH (US)

(**) Term: **14 Years**

(21) Appl. No.: **29/513,561**

(22) Filed: **Jan. 2, 2015**

Related U.S. Application Data

(63) Continuation of application No. 13/390,253, filed as application No. PCT/US2010/045609 on Aug. 16, 2010, now Pat. No. 9,010,070.

(51) **LOC (10) Cl.** **25-01**

(52) **U.S. Cl.**
USPC **D25/125**

(58) **Field of Classification Search**
USPC D25/125, 126
CPC E04C 3/00; E04C 3/06; E04C 3/07;
E04C 2003/0473; E04F 19/022; E04F 19/062;
E04B 2/7407; E04B 2/7827; E04B 2/7401
See application file for complete search history.

(56) **References Cited**

U.S. PATENT DOCUMENTS

681,355 A 8/1901 Turnbull
1,856,898 A 5/1932 Wood

(Continued)

FOREIGN PATENT DOCUMENTS

CA 2499227 9/2006
CA 2568111 5/2008

(Continued)

OTHER PUBLICATIONS

International Search Report and Written Opinion dated Jun. 8, 2011 for Application No. PCT/US2010/045609.

(Continued)

Primary Examiner — Doris Clark

(74) *Attorney, Agent, or Firm* — Frost Brown Todd LLC

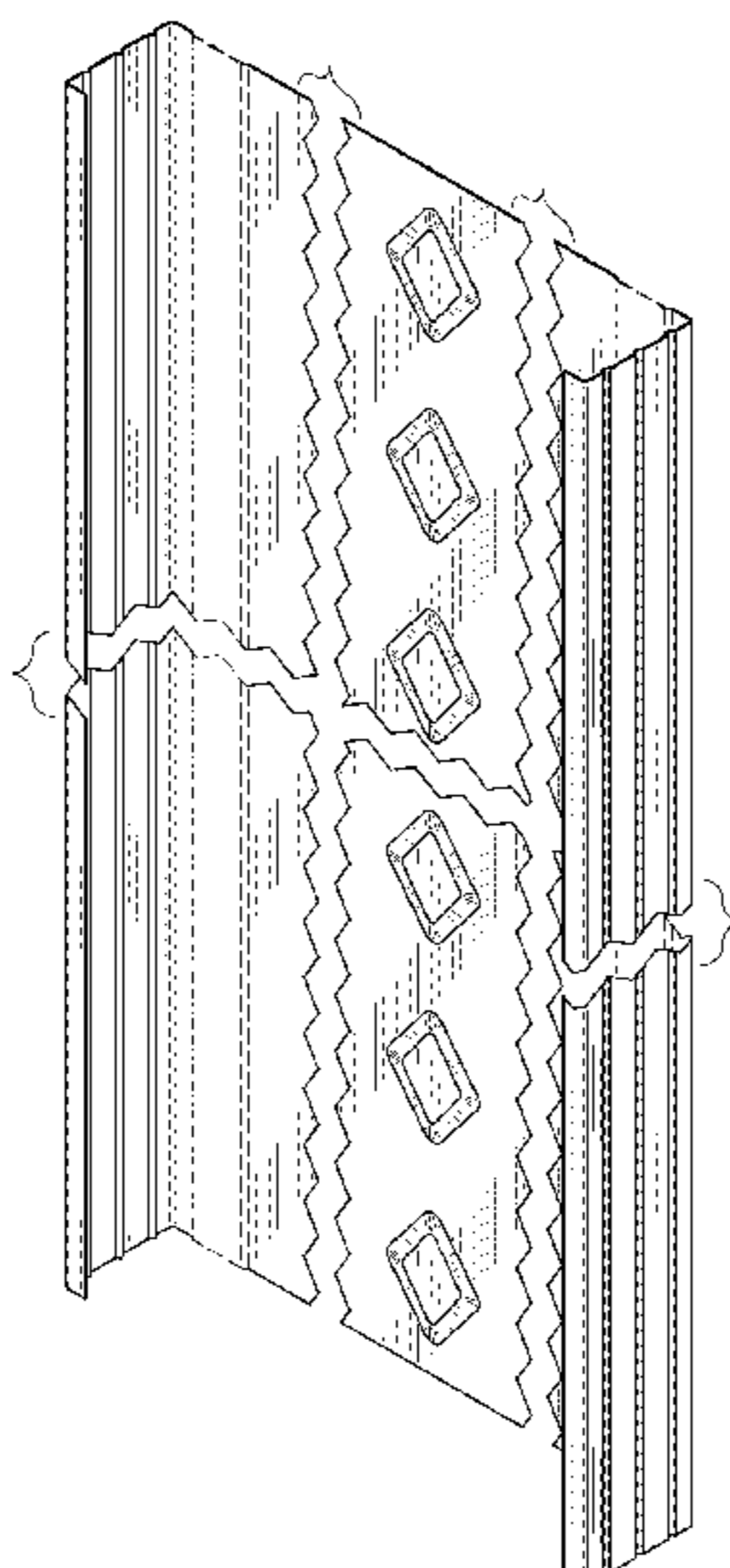
(57) **CLAIM**

The ornamental design for a framing member, as shown and described.

DESCRIPTION

FIG. 1 is a front perspective view of a framing member, showing our new design;
FIG. 2 is an end view of the framing member of FIG. 1;
FIG. 3 is a detailed end view of the designated portion of the framing member shown in FIG. 2;
FIG. 4 is a detailed top view of an embossment of the framing member of FIG. 1; and,
FIG. 5 is a side cross-sectional view of the embossment of FIG. 4 taken along line 5-5 thereof.
The broken lines in FIGS. 1-3 are included for purposes of illustrating portions of the framing member that form no part of the claimed design. The breaks and brackets in some views indicate, for ease of illustration, that the precise width and length of the framing member are not claimed.

1 Claim, 3 Drawing Sheets



(56)

References Cited

U.S. PATENT DOCUMENTS

2,733,786 A 2/1956 Drake
 3,341,997 A 9/1967 Pestel et al.
 3,415,026 A 12/1968 Tillisch et al.
 3,423,893 A 1/1969 Hyatt
 3,486,281 A 12/1969 Gregoire
 3,536,345 A 10/1970 Leifer
 3,623,290 A 11/1971 Downing, Jr.
 3,831,333 A 8/1974 Nelsson et al.
 3,845,601 A 11/1974 Kostecky
 3,925,875 A 12/1975 Doke
 4,011,704 A 3/1977 O'Konski
 4,016,700 A 4/1977 Blomstedt
 4,018,020 A 4/1977 Sauer et al.
 4,112,636 A 9/1978 Hays
 D257,639 S 12/1980 Reid
 4,329,824 A 5/1982 Lowe
 4,513,551 A 4/1985 Gauffin
 4,713,921 A 12/1987 Minialoff
 4,793,113 A 12/1988 Bodnar
 4,809,476 A 3/1989 Satchell
 4,850,169 A 7/1989 Burkstrand et al.
 4,858,399 A 8/1989 Salato, Jr.
 5,157,883 A 10/1992 Meyer
 5,222,335 A 6/1993 Petrecca
 5,274,973 A 1/1994 Liang
 5,285,615 A 2/1994 Gilmour
 5,315,804 A 5/1994 Attalla
 5,325,651 A 7/1994 Meyer
 5,359,826 A * 11/1994 Grearson E04C 3/07
 403/363
 5,394,665 A 3/1995 Johnson
 5,463,837 A 11/1995 Dry
 5,527,625 A 6/1996 Bodnar
 5,570,558 A 11/1996 Persson
 5,687,538 A 11/1997 Frobosilo
 5,689,990 A 11/1997 Deeley
 5,797,233 A 8/1998 Hascall
 D404,151 S 1/1999 Reichel
 5,927,041 A 7/1999 Sedlmeier
 6,092,349 A 7/2000 Trenerry
 6,183,879 B1 2/2001 Deeley
 6,199,336 B1 3/2001 Poliquin
 6,205,740 B1 3/2001 Ekerholm
 6,301,854 B1 10/2001 Daudet
 6,381,916 B1 5/2002 Maisch et al.

6,647,675 B1 11/2003 Castellanos
 6,701,689 B2 3/2004 diGirolamo
 7,028,446 B2 4/2006 Winchester
 D618,365 S 6/2010 Crane
 D620,618 S * 7/2010 Teffenhart, Jr. D25/123
 D621,963 S * 8/2010 Zadeh D25/121
 D621,964 S * 8/2010 Zadeh D25/121
 7,797,908 B2 9/2010 Keys
 7,849,640 B2 12/2010 Rice
 7,866,112 B2 1/2011 Edmondson
 8,028,495 B2 10/2011 Knauf
 8,056,303 B2 11/2011 Frobosilo
 8,225,581 B2 7/2012 Strickland et al.
 8,234,826 B1 8/2012 Anderson
 8,499,512 B2 8/2013 Pilz et al.
 8,677,716 B2 3/2014 Anderson
 9,010,070 B2 4/2015 Darr et al.
 2003/0145537 A1 8/2003 Bailey
 2003/0196401 A1 10/2003 Surowiecki
 2005/0081477 A1 4/2005 St. Quinton
 2006/0185315 A1 8/2006 Walker
 2006/0191236 A1 8/2006 Surowiecki
 2007/0068113 A1 3/2007 St. Quinton
 2007/0175149 A1 8/2007 Bodnar
 2008/0110126 A1 5/2008 Howchin
 2008/0250738 A1 10/2008 Howchin
 2009/0013633 A1 1/2009 Aubuchon
 2009/0113846 A1 5/2009 Knauf
 2009/0126315 A1 5/2009 Knauf
 2009/0223167 A1 9/2009 Anderson
 2009/0249743 A1 10/2009 Bodnar

FOREIGN PATENT DOCUMENTS

CA 2584677 10/2008
 DE 3 442 355 1/1986
 EP 0 374 316 A1 6/1990
 EP 0 374 316 B1 3/1993
 EP 0 638 758 2/1995
 FR 2 713 684 6/1995
 GB 2 171 731 9/1986
 WO WO 2007/134436 11/2007
 WO WO 2008/086818 7/2008

OTHER PUBLICATIONS

U.S. Appl. No. 29/513,562, filed Jan. 2, 2015.

* cited by examiner

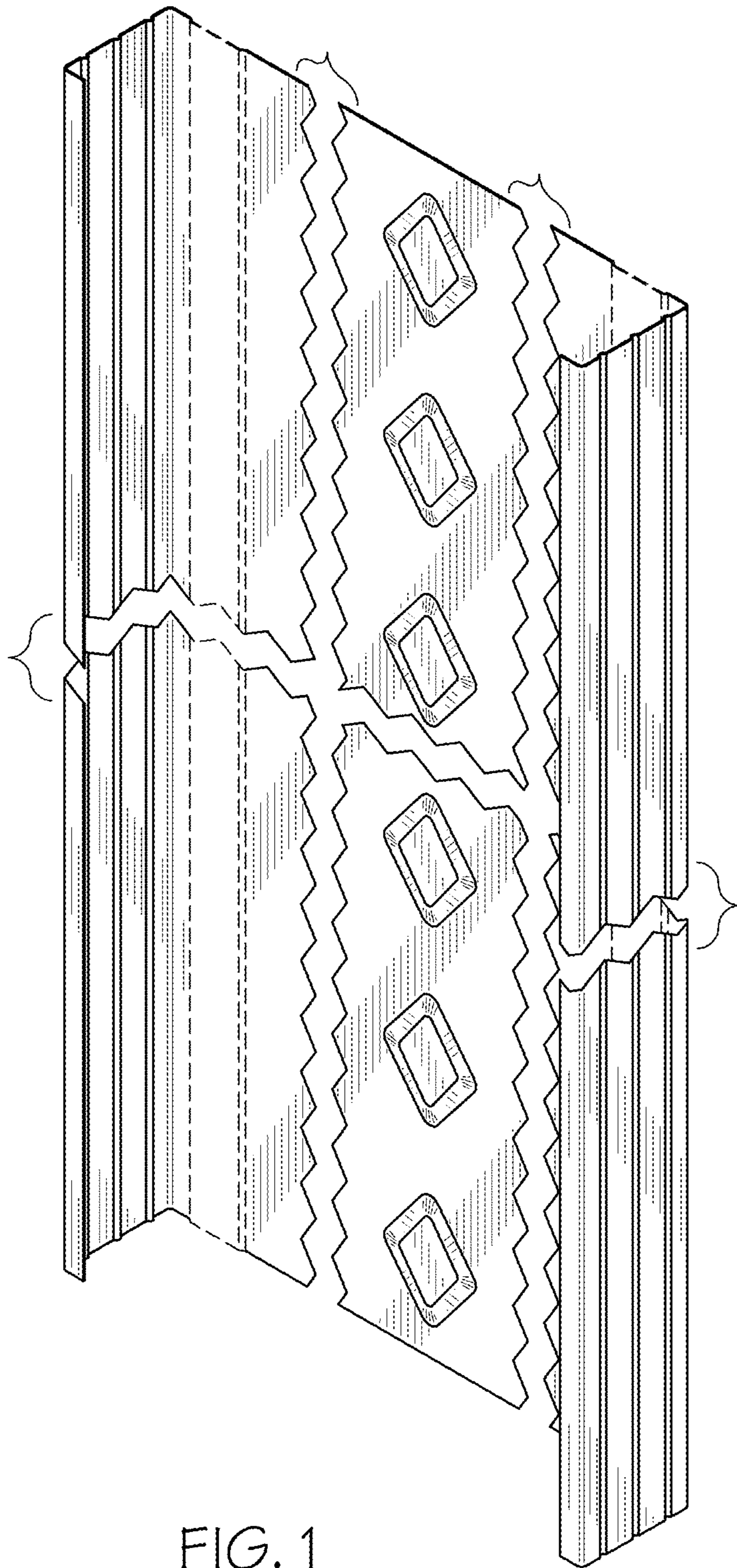


FIG. 1

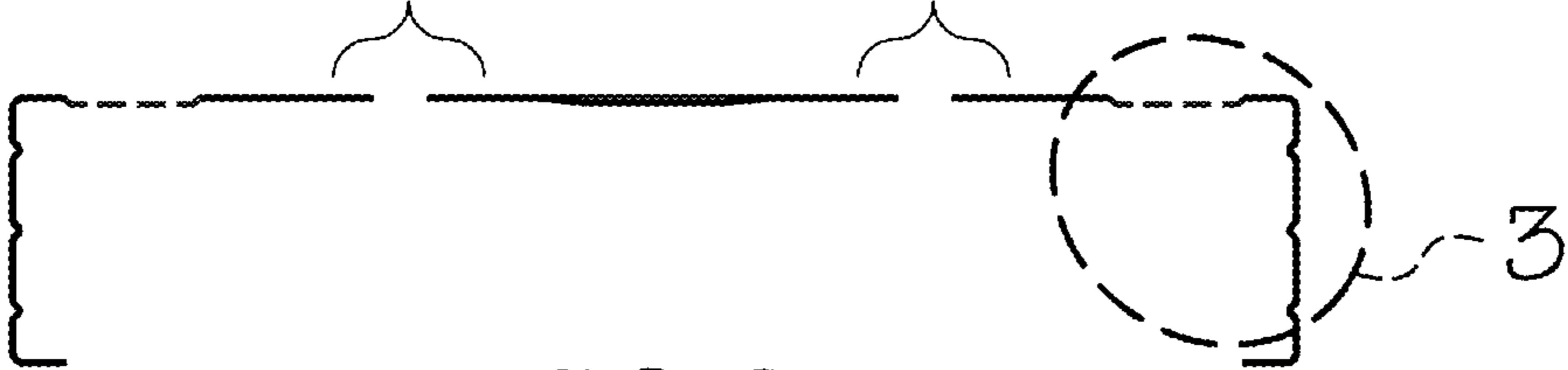


FIG. 2

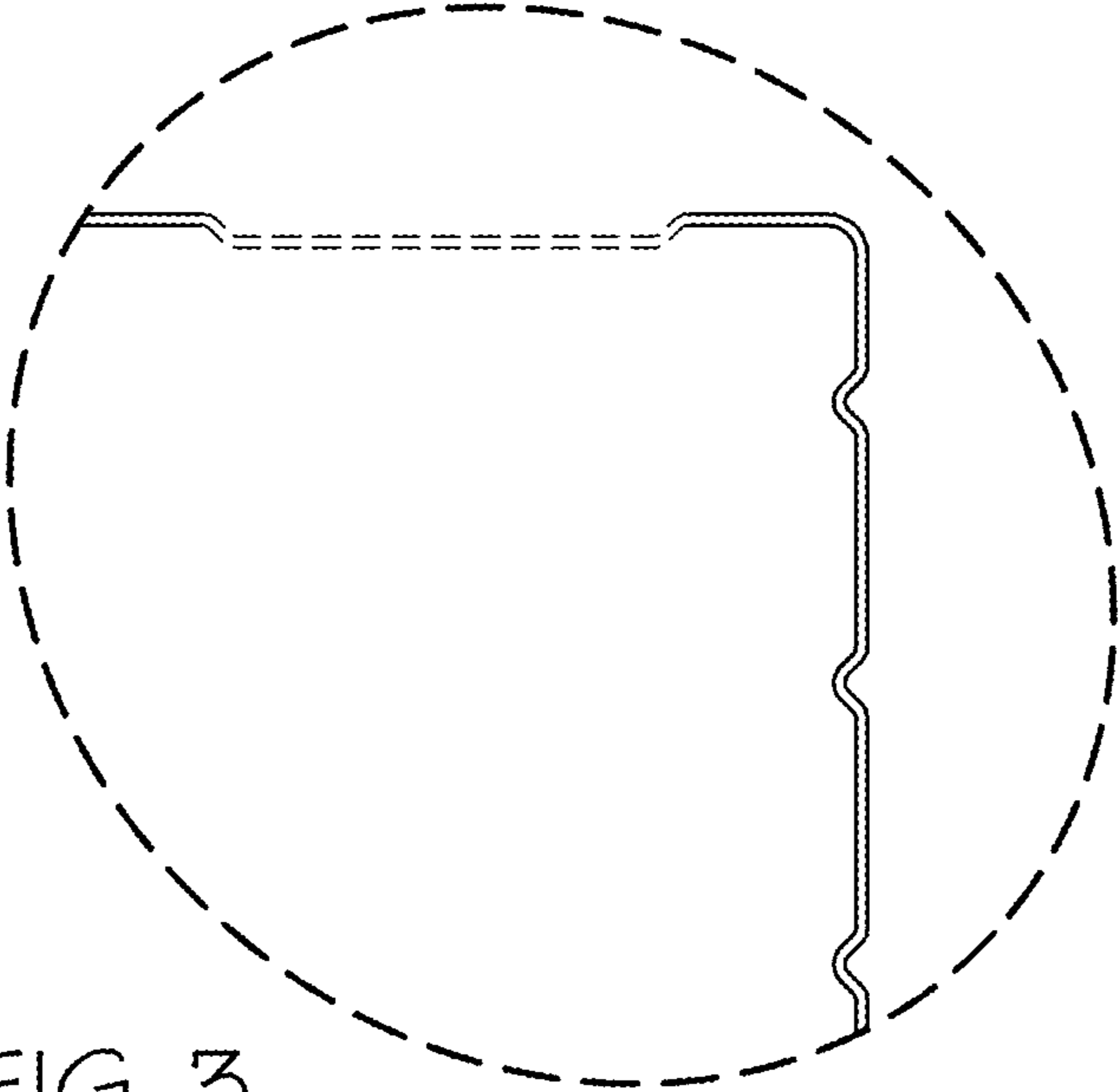


FIG. 3

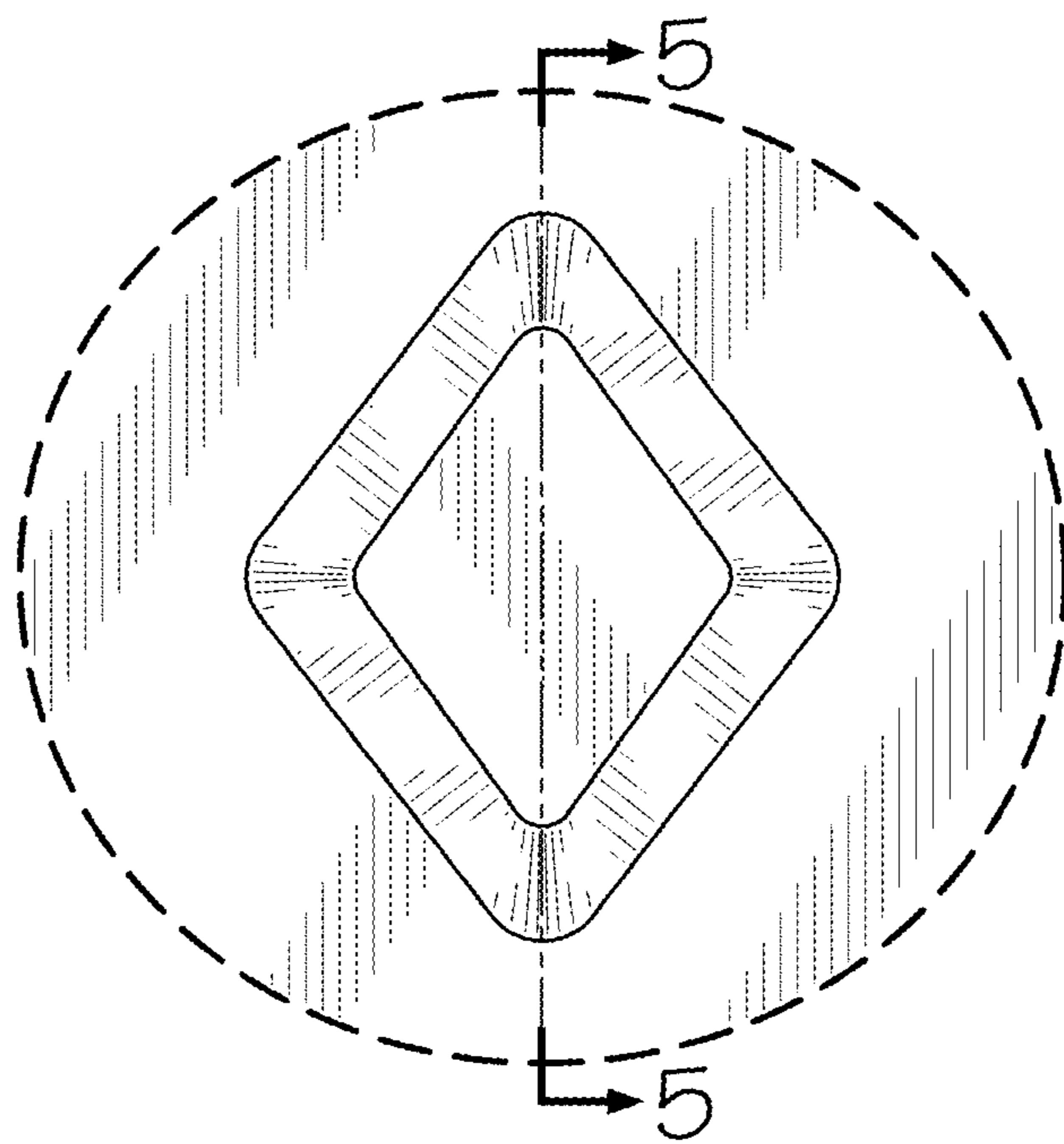


FIG. 4

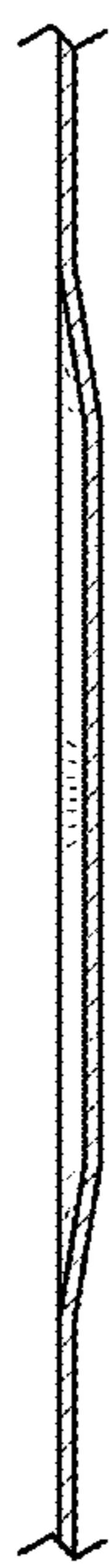


FIG. 5