



US00D751221S

(12) **United States Design Patent**
Metcalf

(10) **Patent No.:** **US D751,221 S**
(45) **Date of Patent:** **** Mar. 8, 2016**

(54) **PANEL WITH WIRE PATTERN**

(56) **References Cited**

(71) Applicant: **3form, LLC**, Salt Lake City, UT (US)

U.S. PATENT DOCUMENTS

D89,239 S * 2/1933 Juestrich D5/55
1,909,514 A * 5/1933 Assael B44C 5/0469
156/219

(72) Inventor: **Elizabeth Egan Metcalf**, Salt Lake City, UT (US)

(Continued)

(73) Assignee: **3Form, LLC**, Salt Lake City, UT (US)

OTHER PUBLICATIONS

Pogo Product Series.(Mbaye)3-form.com [online] 2 pages [retrieved on Aug. 31, 2015] Retrieved from Internet: <http://www.3-form.com/materials/varia_ecoresin/full_circle/product_stories/pogo/>.*

(**) Term: **14 Years**

(Continued)

(21) Appl. No.: **29/492,997**

Primary Examiner — Susan Bennett Hattan

Assistant Examiner — Marie Fast Horse

(22) Filed: **Jun. 4, 2014**

(74) *Attorney, Agent, or Firm* — Workman Nydegger

Related U.S. Application Data

(57) **CLAIM**

The ornamental design for a panel with wire pattern, as shown and described.

(63) Continuation of application No. 14/120,421, filed on Mar. 11, 2014, now abandoned.

(51) **LOC (10) Cl.** **25-01**

(52) **U.S. Cl.**

USPC **D25/103**; D25/138

(58) **Field of Classification Search**

USPC D5/1-5, 7, 20, 32, 51, 54-56, 58, D5/62-64, 99; D6/332, 575; D20/10, 42, D20/99; 428/13, 46, 67, 81, 385; D3/306

CPC B32B 2419/00; B32B 2419/04; B32B 2451/00; B32B 2607/00; B32B 17/10247; B32B 17/10256; B32B 17/10266; B32B 17/10275; B32B 17/10284; Y10T 428/24; Y10T 428/24942; Y10T 428/24967; Y10T 428/31786; Y10T 428/3179; Y10T 428/31971; Y10T 428/31986; B44C 5/04; B44C 5/0407; B44C 5/0423; B44C 5/0461; B44C 5/0469; B44C 5/0476; B44C 5/0484; B44C 5/1492; B44C 3/02

See application file for complete search history.

DESCRIPTION

FIG. 1 is a front view of a panel with wire pattern as used in a partition structure;

FIG. 2 is an enlarged front perspective, sectional view of the panel with wire pattern taken from the shaded area of FIG. 1;

FIG. 3 is an enlarged front elevational, sectional view thereof, reference to the sectional side and plan views of FIGS. 4-7;

FIG. 4 is an enlarged left side sectional view taken along line 4-4 of FIG. 3;

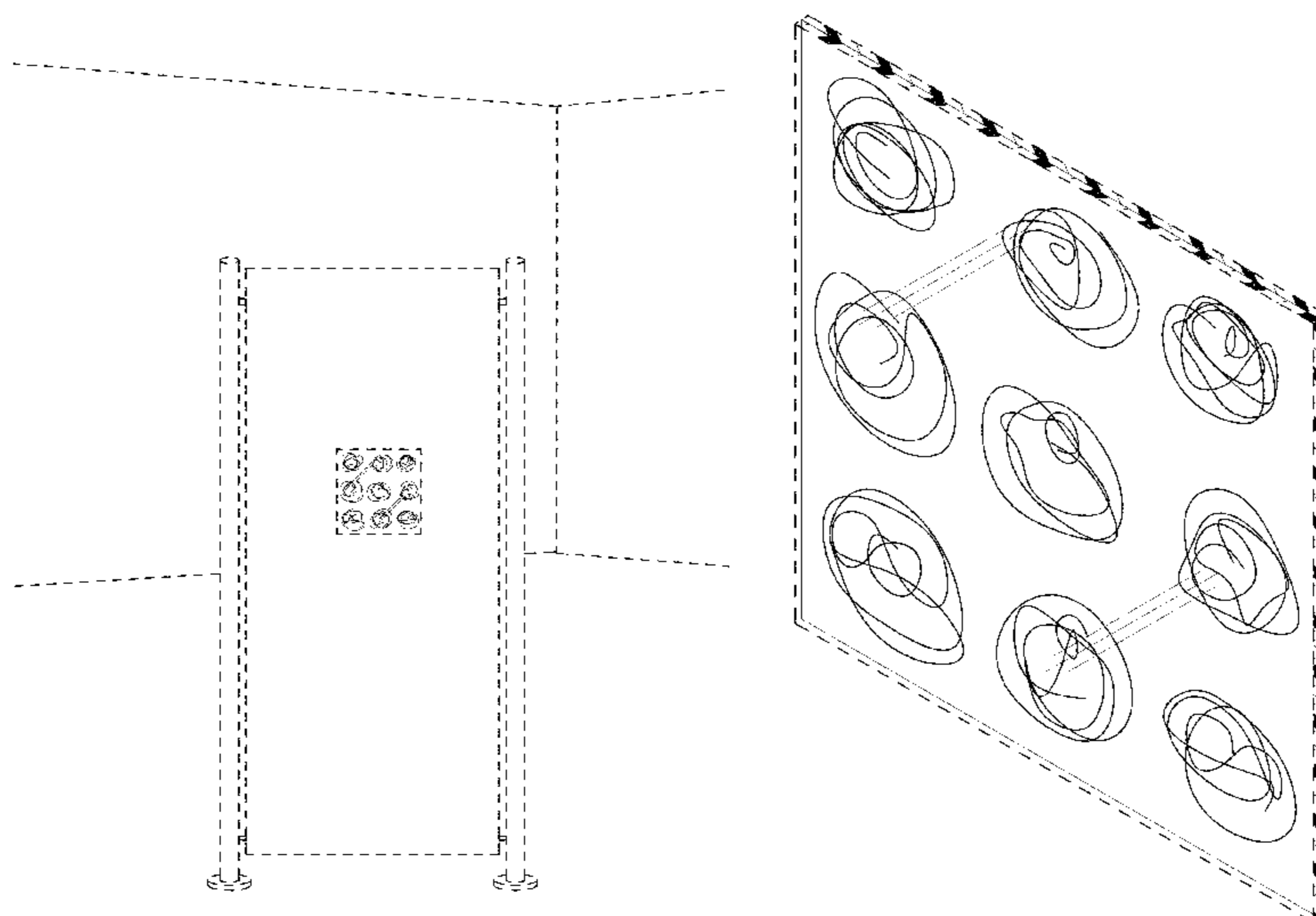
FIG. 5 is an enlarged right side sectional view taken along line 5-5 of FIG. 3;

FIG. 6 is an enlarged top plan sectional view taken along line 6-6 of FIG. 3; and,

FIG. 7 is an enlarged bottom plan sectional view taken along line 7-7 of FIG. 3.

The broken lines adjacent to the shaded areas depict the bounds of the claim and all other broken lines depict environmental subject matter. All broken lines form no part of the claimed design.

1 Claim, 3 Drawing Sheets



(56)

References Cited

U.S. PATENT DOCUMENTS

D166,175 S * 3/1952 Dannecker D5/7
 2,880,111 A * 3/1959 Griswold D04H 1/62
 162/134
 3,056,224 A * 10/1962 Almy B29C 43/30
 156/71
 D222,102 S * 9/1971 Schwartz et al. D26/122
 D257,407 S * 10/1980 Maahsen D25/109
 4,863,782 A * 9/1989 Wang B44C 3/02
 428/204
 5,413,870 A * 5/1995 Flood B32B 27/12
 428/168
 7,008,700 B1 * 3/2006 Goodson B32B 27/36
 428/13
 D584,849 S * 1/2009 Otero D26/118
 D623,318 S * 9/2010 Damen D25/138
 D643,149 S * 8/2011 Sabernig D26/120
 D700,363 S * 2/2014 Schober D25/111
 D702,859 S * 4/2014 Schober D25/111
 D703,834 S * 4/2014 Schober D25/105
 D703,835 S * 4/2014 Schober D25/105

9,097,015 B2 * 8/2015 Moore E04C 2/26
 2004/0096623 A1 * 5/2004 Hashiba B27N 3/002
 428/114
 2013/0029100 A1 * 1/2013 Espe B30B 15/062
 428/141
 2014/0072732 A1 * 3/2014 Moore B32B 9/02
 428/13

OTHER PUBLICATIONS

3form_S-BROCHURE-MATERIALS_15_SUMMER. (Mbaye)
 3-form.com [online PDF] pp. 15-23 and 42 of 74. May 2014
 [retrieved on Aug. 31, 2015] Retrieved from Internet: <http://www.3-form.com/downloads/3form_S-BROCHURE-MATERIALS_15_SUMMER.pdf>.*
 Artishok's Portfolio—Circular Scribbles. shutterstock.com [online]
 9 pages. [retrieved on Aug. 31, 2015] Retrieved from Internet:
 <http://www.shutterstock.com/portfolio/search.mhtml?gallery_landing=1&gallery_id=1391908&page=1&safesearch=1&sort_method=popular>.*

* cited by examiner

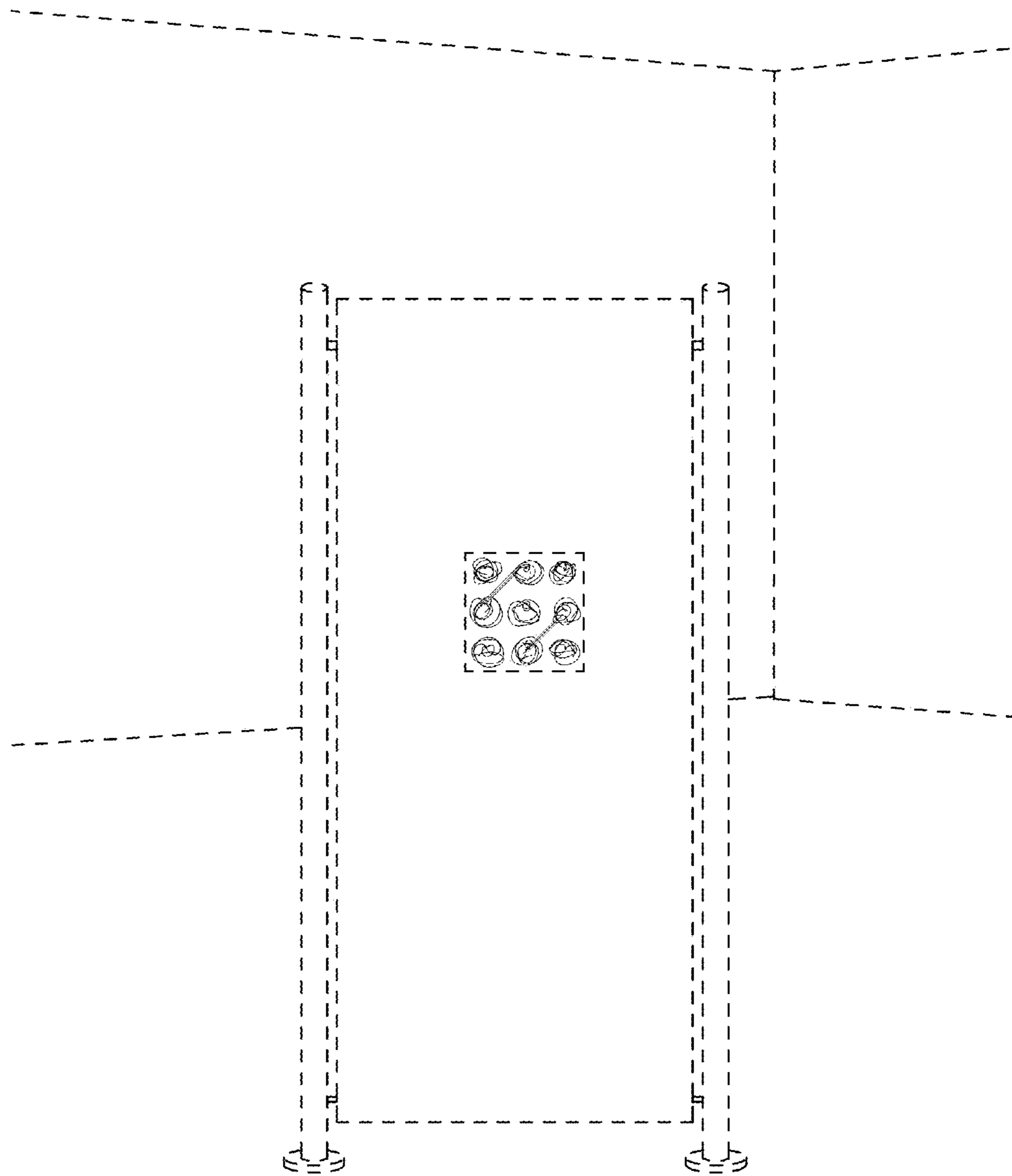


FIG. 1

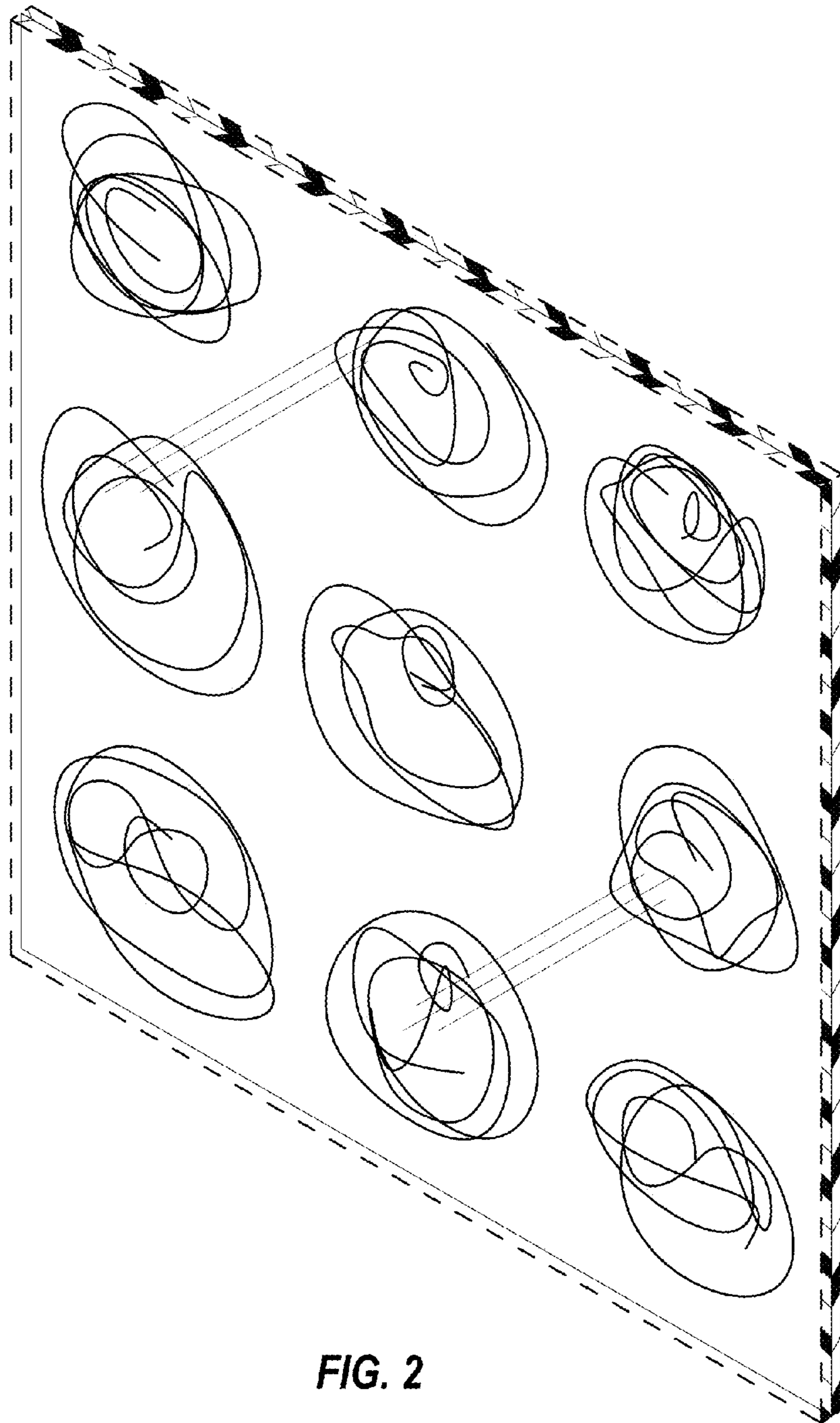


FIG. 2

