



US00D751220S

(12) **United States Design Patent**  
**Walsh**

(10) **Patent No.:** **US D751,220 S**  
(45) **Date of Patent:** **\*\* Mar. 8, 2016**

- (54) **LITE FOR DOORS AND ENTRYWAYS**
- (71) Applicant: **MASONITE CORPORATION**, Tampa, FL (US)
- (72) Inventor: **Jason Walsh**, Batavia, IL (US)
- (73) Assignee: **Masonite Corporation**, Tampa, FL (US)
- (\*\*) Term: **14 Years**
- (21) Appl. No.: **29/473,515**
- (22) Filed: **Nov. 22, 2013**

6,736,534	B1	5/2004	Fite	
D490,909	S *	6/2004	Barnard	D25/103
D559,409	S *	1/2008	McCarthy	D25/103
D627,083	S *	11/2010	Walsh	D25/103
D668,791	S	10/2012	Walsh	
D694,430	S	11/2013	Walsh	
2006/0000173	A1 *	1/2006	Edstrom	B44C 5/04 52/313
2006/0046017	A1 *	3/2006	Adickes	B32B 17/10036 428/67

\* cited by examiner

*Primary Examiner* — Doris Clark  
(74) *Attorney, Agent, or Firm* — Berenato & White, LLC

**Related U.S. Application Data**

- (62) Division of application No. 29/411,460, filed on Jan. 20, 2012, now Pat. No. Des. 694,430.
- (51) **LOC (10) Cl.** ..... **25-01**
- (52) **U.S. Cl.**  
USPC ..... **D25/103**
- (58) **Field of Classification Search**  
USPC ..... D25/103, 110, 111, 106  
CPC ..... B44F 11/04; B44C 5/00; B44C 3/12;  
B44C 3/123; B44C 5/04; B44C 5/0407;  
E04F 19/00; E06B 7/30  
See application file for complete search history.

(57) **CLAIM**

The ornamental design for a lite for doors and entryways, as shown and described.

**DESCRIPTION**

FIG. 1 is a front perspective view of my design;  
 FIG. 2 is a front elevational view of FIG. 1;  
 FIG. 3 is a front perspective view of a second embodiment of my new design;  
 FIG. 4 is a front elevational view of FIG. 3;  
 FIG. 5 is a front perspective view of a third embodiment of my new design;  
 FIG. 6 is a front elevational view of FIG. 5;  
 FIG. 7 is a front perspective view of a fourth embodiment of my new design;  
 FIG. 8 is a front elevational view of FIG. 7;  
 FIG. 9 is a front perspective view of a fifth embodiment of my new design;  
 FIG. 10 is a front elevational view of FIG. 9;  
 FIG. 11 is a front perspective view of a sixth embodiment of my new design; and,  
 FIG. 12 is a front elevational view of FIG. 11.  
 The rear elevational view of each of FIGS. 2, 4, 6, 8, 10, and 12 is a mirror image thereof.

(56) **References Cited**

**U.S. PATENT DOCUMENTS**

286,434	A	10/1883	Herzog
D41,286	S	4/1911	McQuinn
1,612,054	A	12/1926	Rez
1,678,439	A	7/1928	LeRoy
4,619,850	A	10/1986	Charlton
D336,139	S	6/1993	Wilkening et al.
D402,047	S	12/1998	Sadovenko
6,185,883	B1	2/2001	Howard
D478,674	S	8/2003	Lamberts
D482,132	S	11/2003	Alexander
D488,565	S	4/2004	Bresciani

**1 Claim, 12 Drawing Sheets**

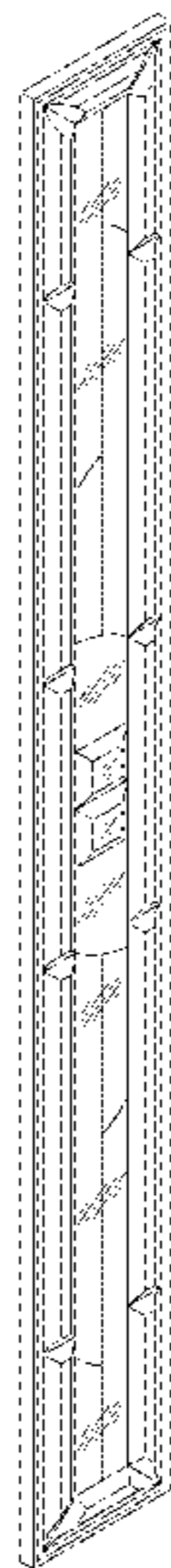


Fig. 1

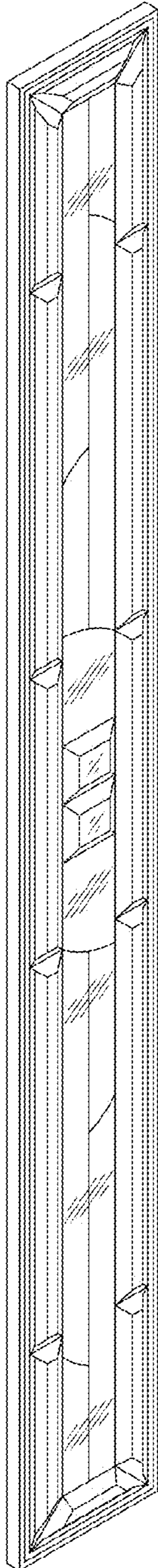


Fig. 2

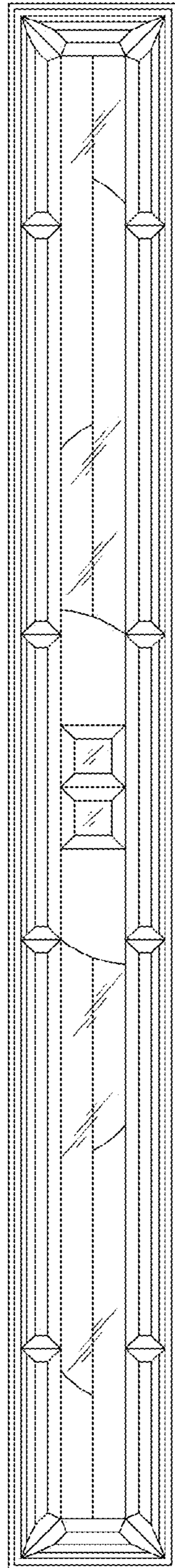


Fig. 3

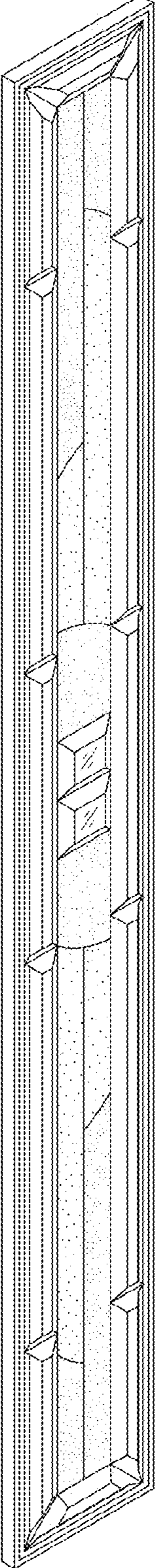


Fig. 4

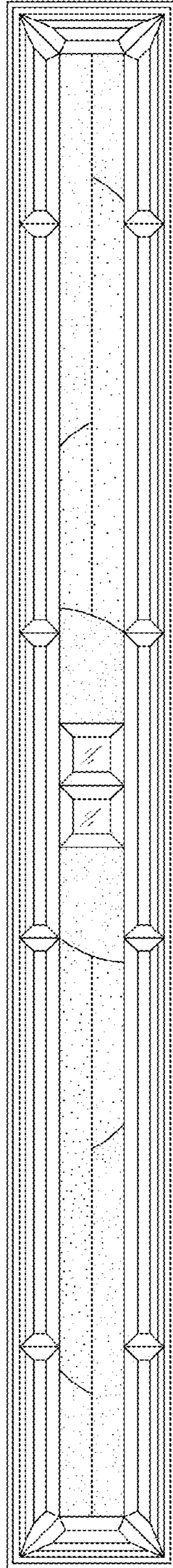


Fig. 5

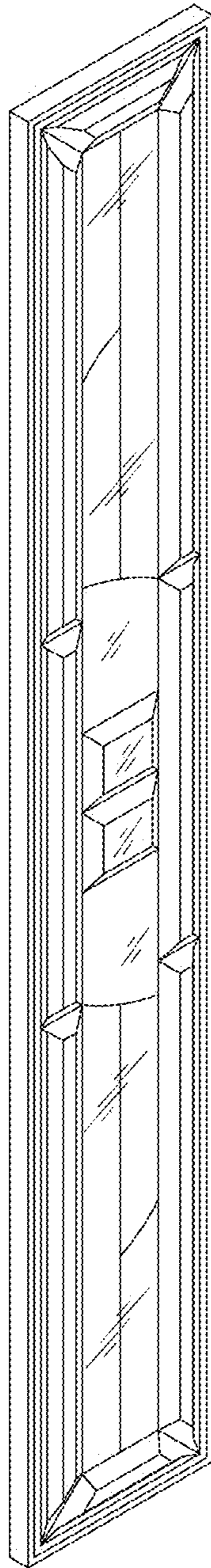


Fig. 6

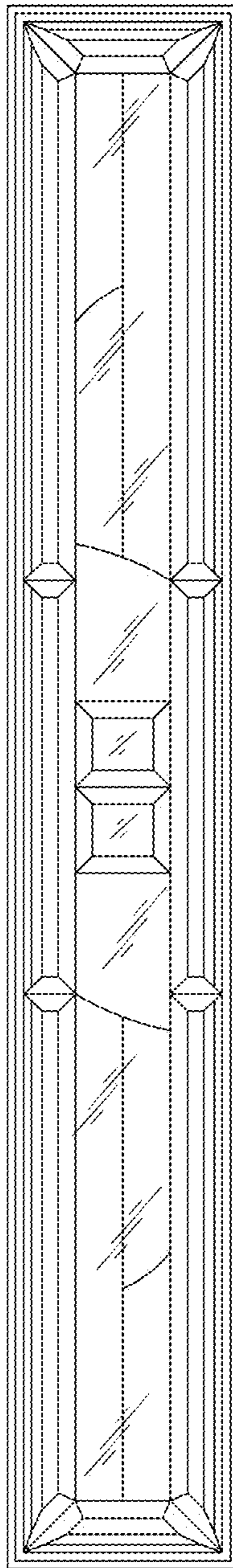


Fig. 7

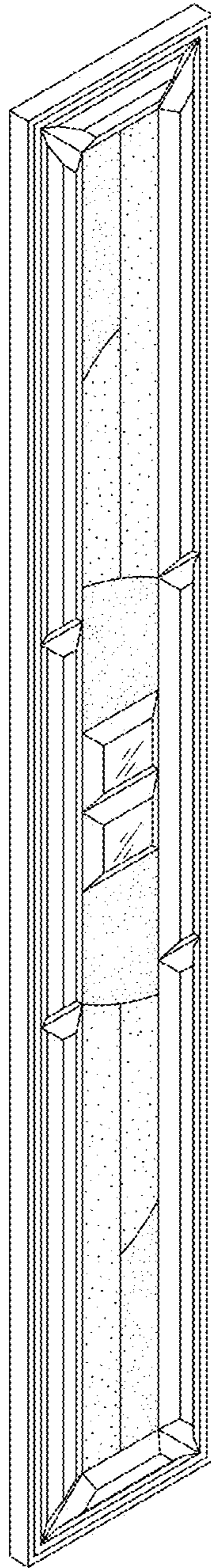




Fig. 8

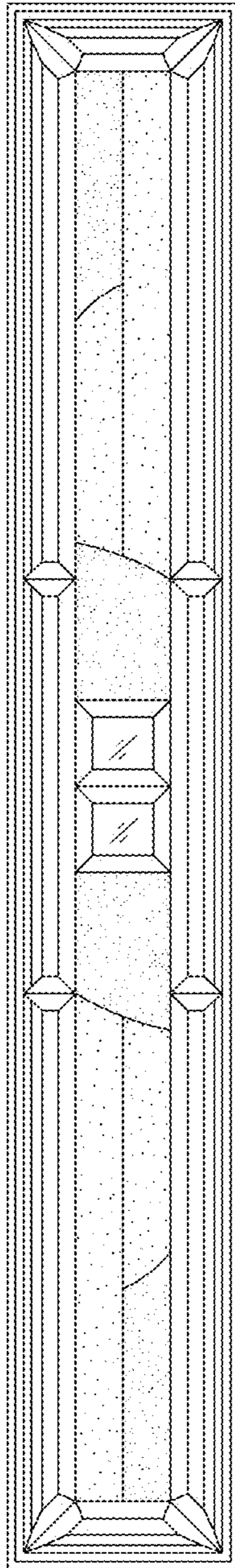


Fig. 9

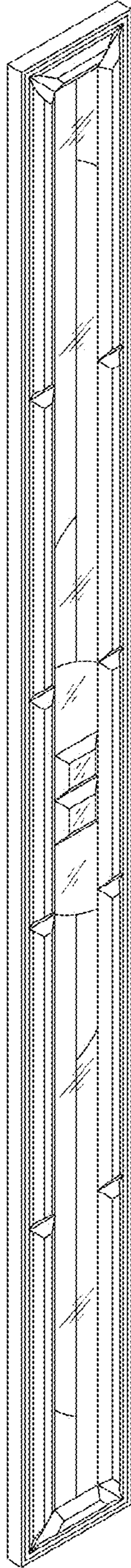


Fig. 10

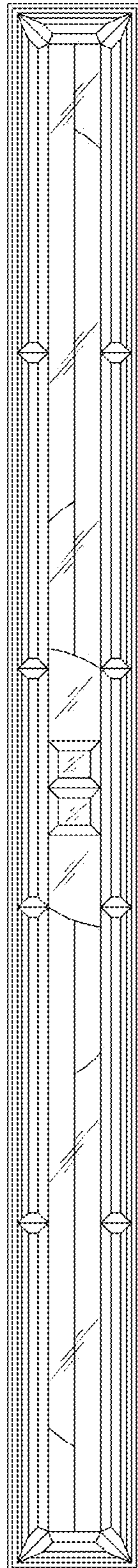


Fig. 11

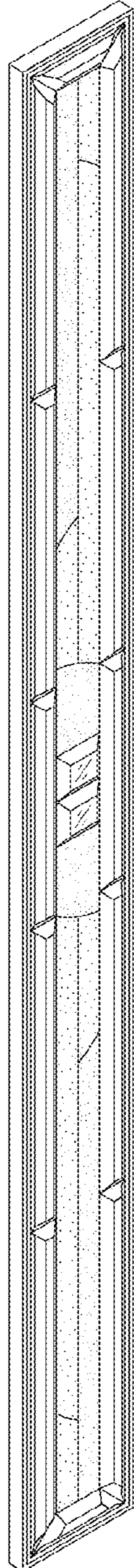


Fig. 12

