



US00D751215S

(12) **United States Design Patent**
Perry et al.

(10) **Patent No.:** **US D751,215 S**
(45) **Date of Patent:** **** Mar. 8, 2016**

(54) **CONTAINER**

(71) Applicant: **Abbott Laboratories**, Abbott Park, IL (US)

(72) Inventors: **James P. Perry**, Westerville, OH (US); **Jeremy McBroom**, Columbus, OH (US); **Bryan Eliot Rolfs**, Chicago, IL (US)

(73) Assignee: **Abbott Laboratories**, Abbott Park, IL (US)

(**) Term: **14 Years**

(21) Appl. No.: **29/523,835**

(22) Filed: **Apr. 14, 2015**

Related U.S. Application Data

(60) Division of application No. 29/470,645, filed on Oct. 23, 2013, now Pat. No. Des. 733,320, which is a continuation of application No. PCT/US2013/038468, filed on Apr. 26, 2013.

(51) **LOC (10) Cl.** **24-01**

(52) **U.S. Cl.**
USPC **D24/232**

(58) **Field of Classification Search**

USPC D24/232, 121, 216, 224, 231; D10/81; D7/538, 601, 604, 606; D9/503-504, D9/560, 566, 414, 435-436, 445; 220/200, 220/254.3; 422/547, 550, 561, 565; 435/305.3, 305.4
CPC B65D 53/00; B65D 53/02; B65D 43/22; B65D 43/163; B65D 43/169; B65D 51/247; B65D 51/20; B65D 1/42

See application file for complete search history.

(56) **References Cited**

U.S. PATENT DOCUMENTS

4,917,261 A * 4/1990 Borst B65D 43/162 D7/538
D339,639 S * 9/1993 Ohnuma D24/232

(Continued)

Primary Examiner — Wan Laymon

(74) *Attorney, Agent, or Firm* — Calfee, Halter & Griswold LLP

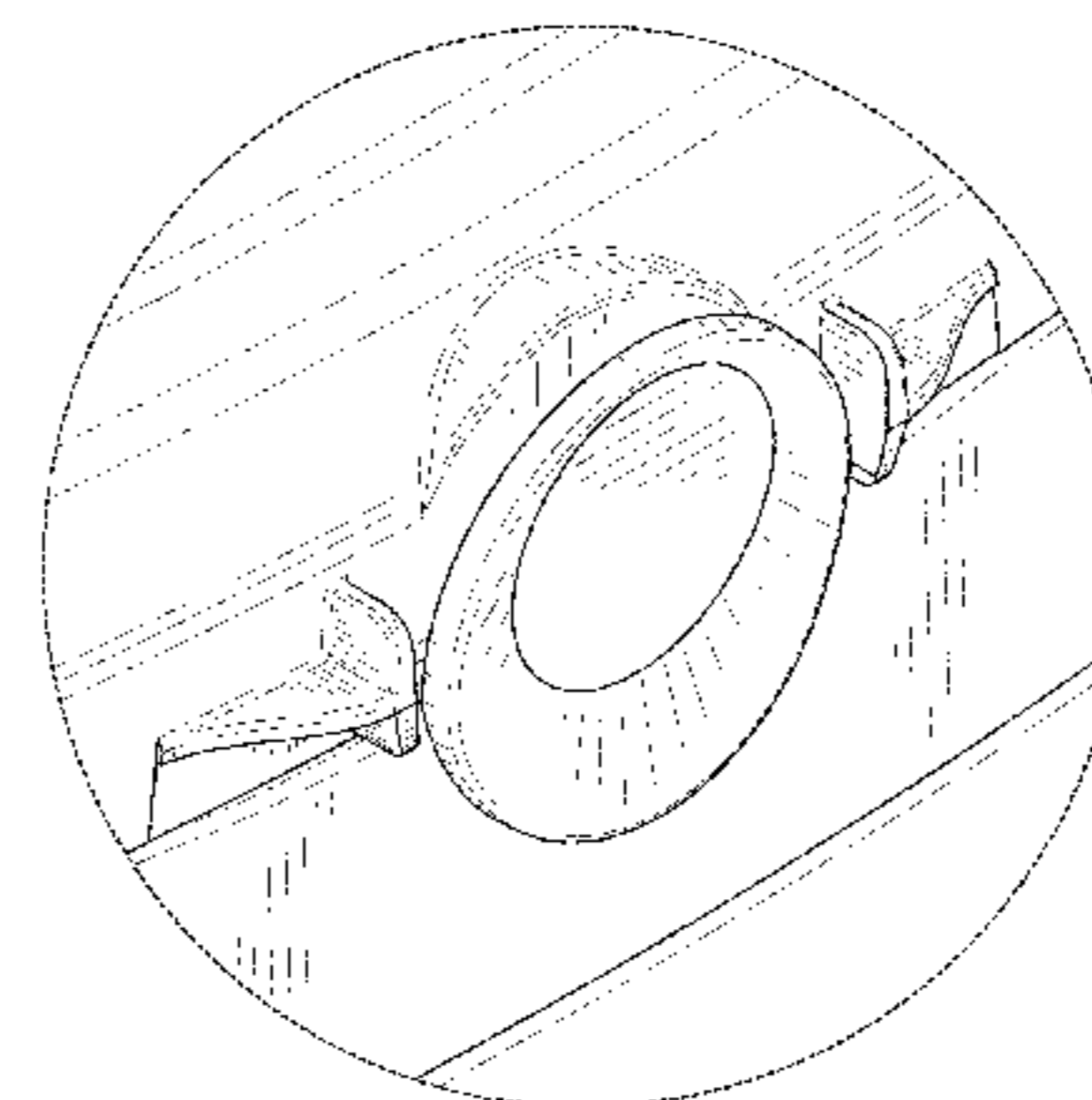
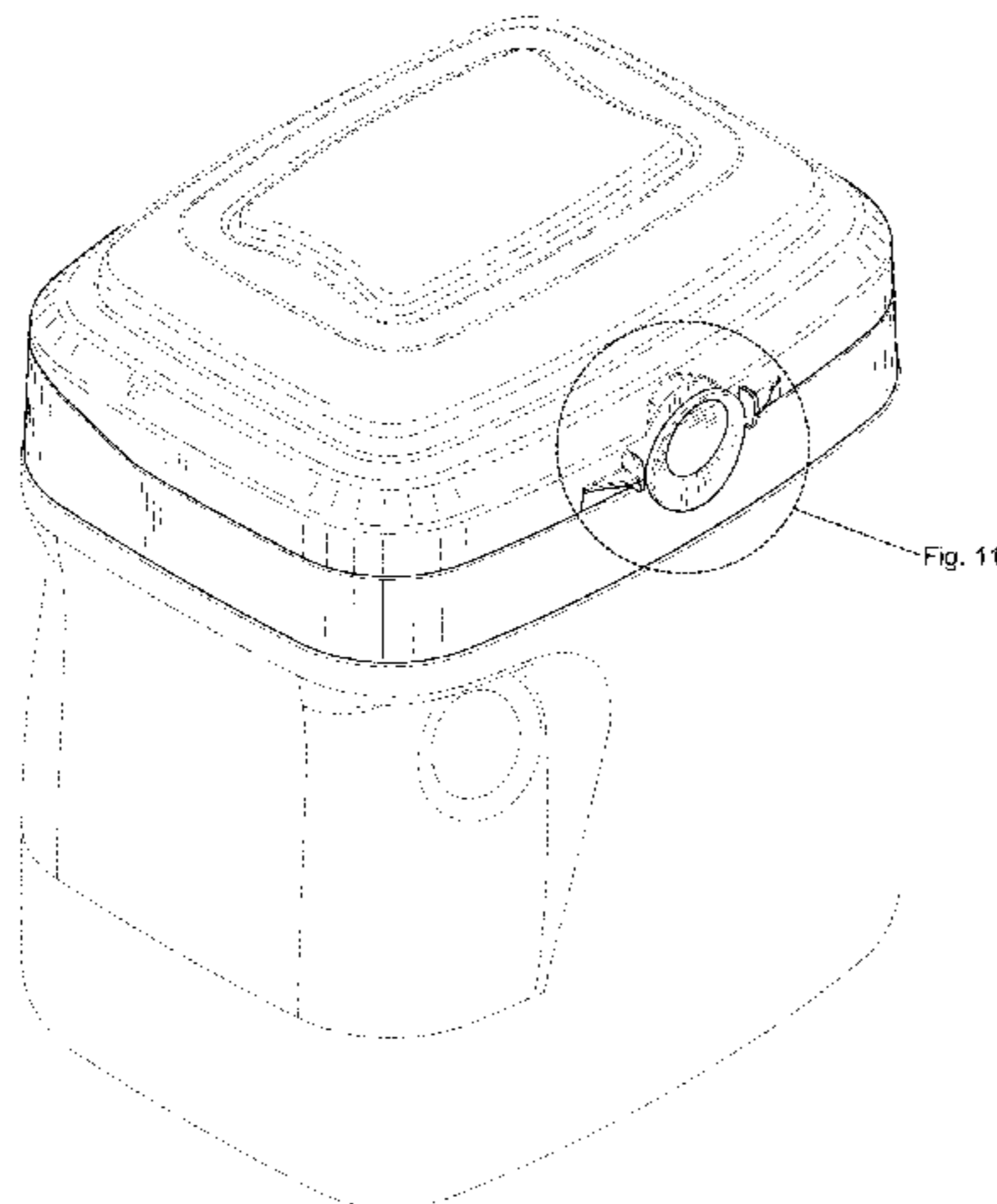
(57) **CLAIM**

We claim the ornamental design for a container, as shown and described.

DESCRIPTION

FIG. 1 is a top perspective view of a container showing the new design;
FIG. 2 is a bottom perspective view of the container of FIG. 1;
FIG. 3 is a front elevational view of the container of FIG. 1;
FIG. 4 is a rear elevational view of the container of FIG. 1;
FIG. 5 is a right side elevational view of the container of FIG. 1;
FIG. 6 is a left side elevational view of the container of FIG. 1;
FIG. 7 is a top side plan view of the container of FIG. 1;
FIG. 8 is a bottom plan view of the container of FIG. 1;
FIG. 9 is a top perspective view of a container of FIG. 1, showing the lid of the container in an open position;
FIG. 10 is a top plan view of a container of FIG. 1, showing the lid of the container in an open position;
FIG. 11 is an enlarged view of the designated circular area of FIG. 1;
FIG. 12 is an enlarged view of the designated circular area of FIG. 5;
FIG. 13 is an enlarged view of the designated circular area of FIG. 9;
FIG. 14 is an enlarged view of the designated circular area of FIG. 9; and,
FIG. 15 is an enlarged view of the designated circular area of FIG. 10. The broken lines immediately adjacent the shade areas represent the bounds of the claimed design while all other broken lines are directed to unclaimed portions of the container; the broken lines form no part of the claimed design.

1 Claim, 12 Drawing Sheets



US D751,215 S

Page 2

(56)

References Cited

U.S. PATENT DOCUMENTS

5,353,946 A *	10/1994	Behrend	B65D 43/169	220/326
D576,035 S *	9/2008	Perry	D9/435	
D578,401 S *	10/2008	Perry	D9/543	
8,308,008 B2 *	11/2012	Perry	B65D 43/169	220/254.3
D675,477 S *	2/2013	McGrath, Jr.	D7/391	
2014/0097183 A1 *	4/2014	McGrath	B65D 51/20	220/212
2015/0129597 A1 *	5/2015	McBroom	B65D 43/169	220/324

* cited by examiner

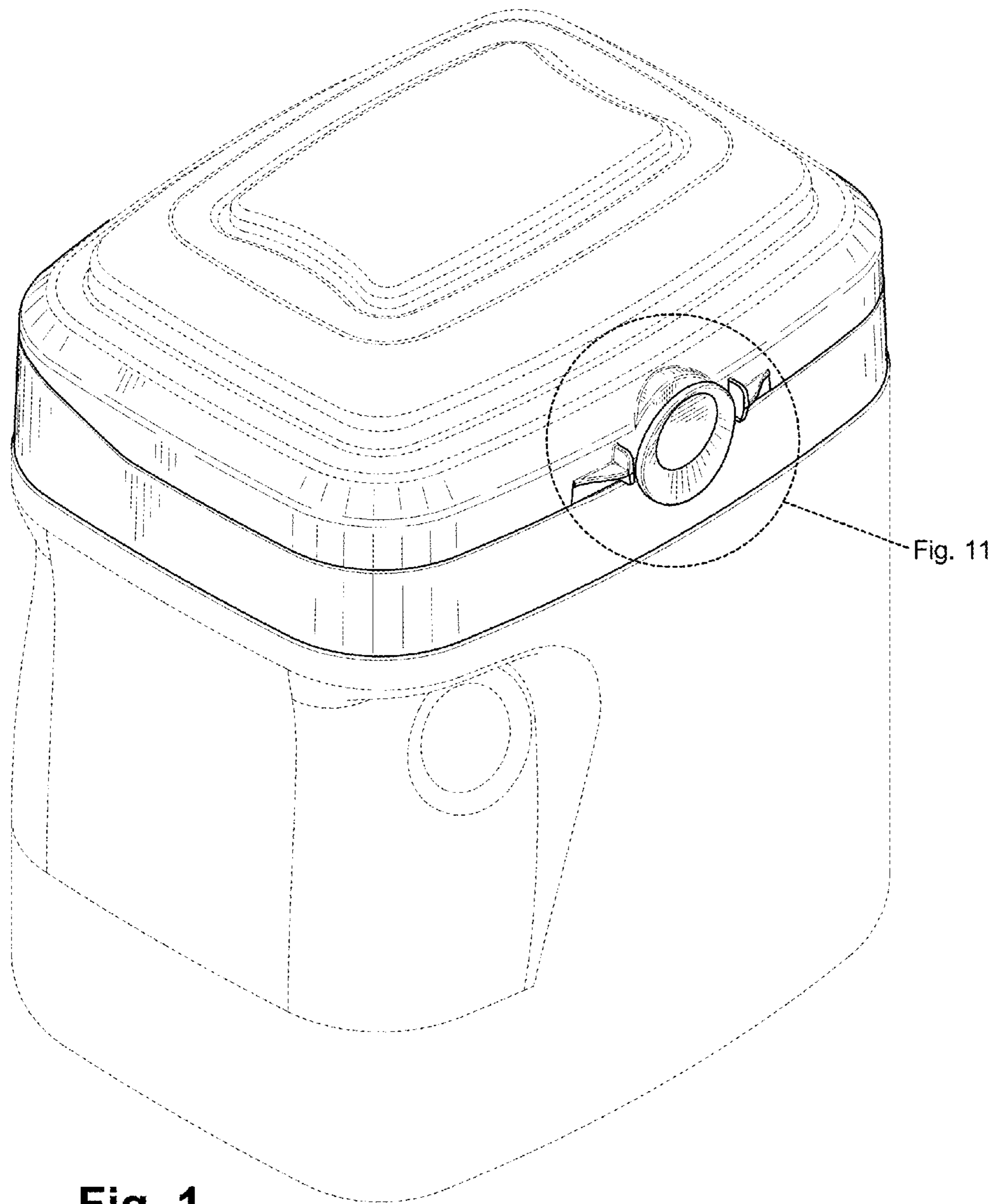


Fig. 1

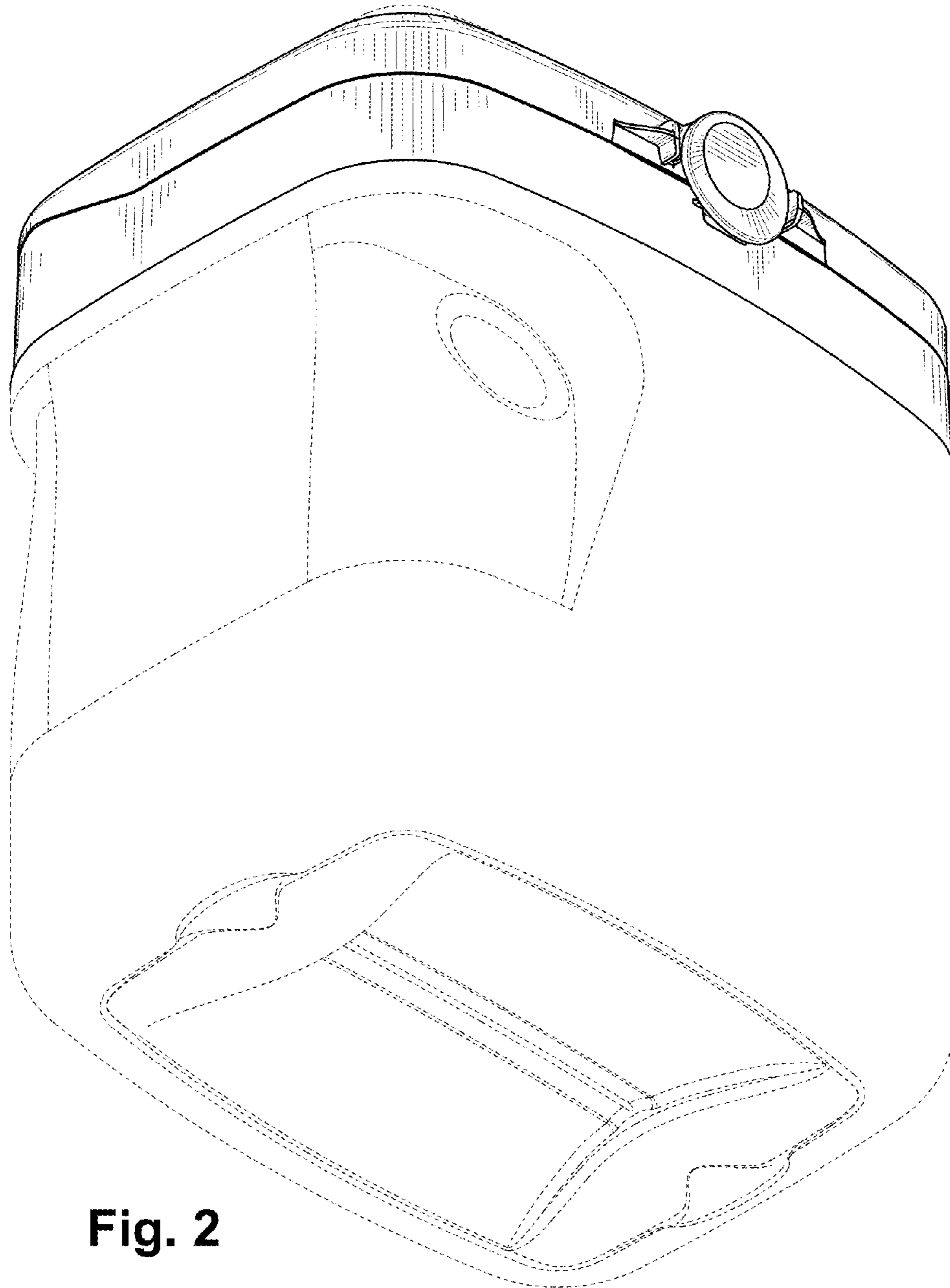


Fig. 2

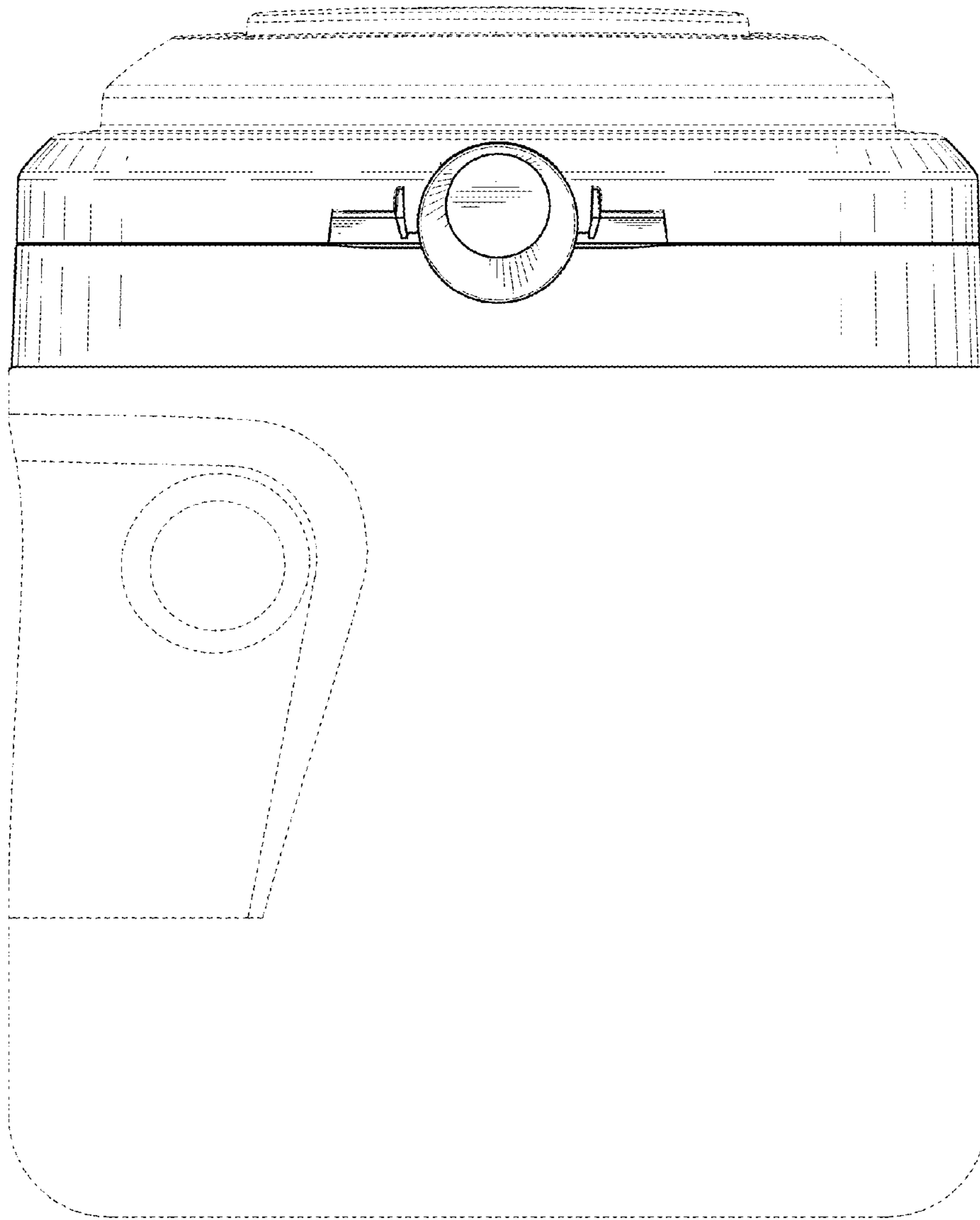


Fig. 3

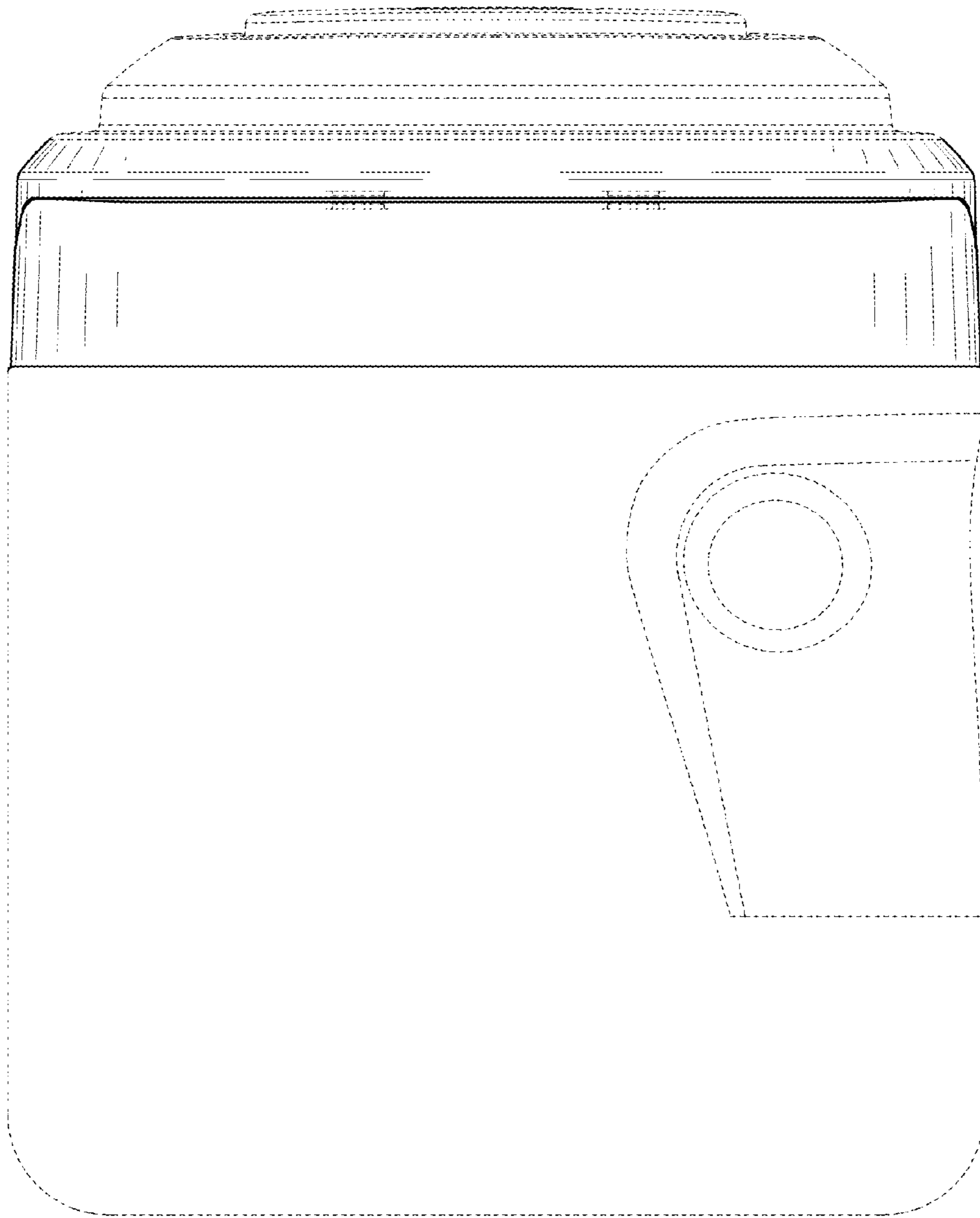


Fig. 4

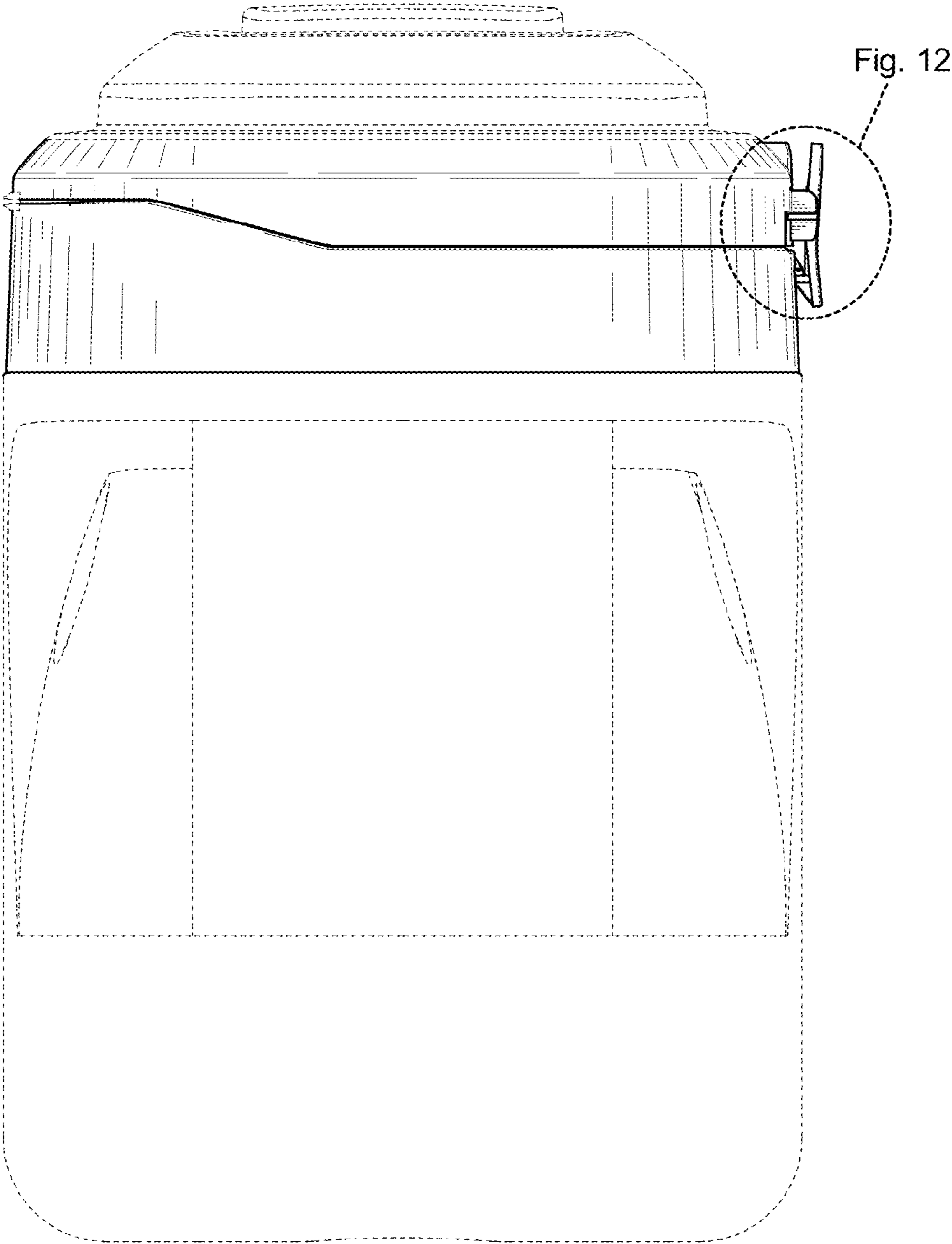


Fig. 5

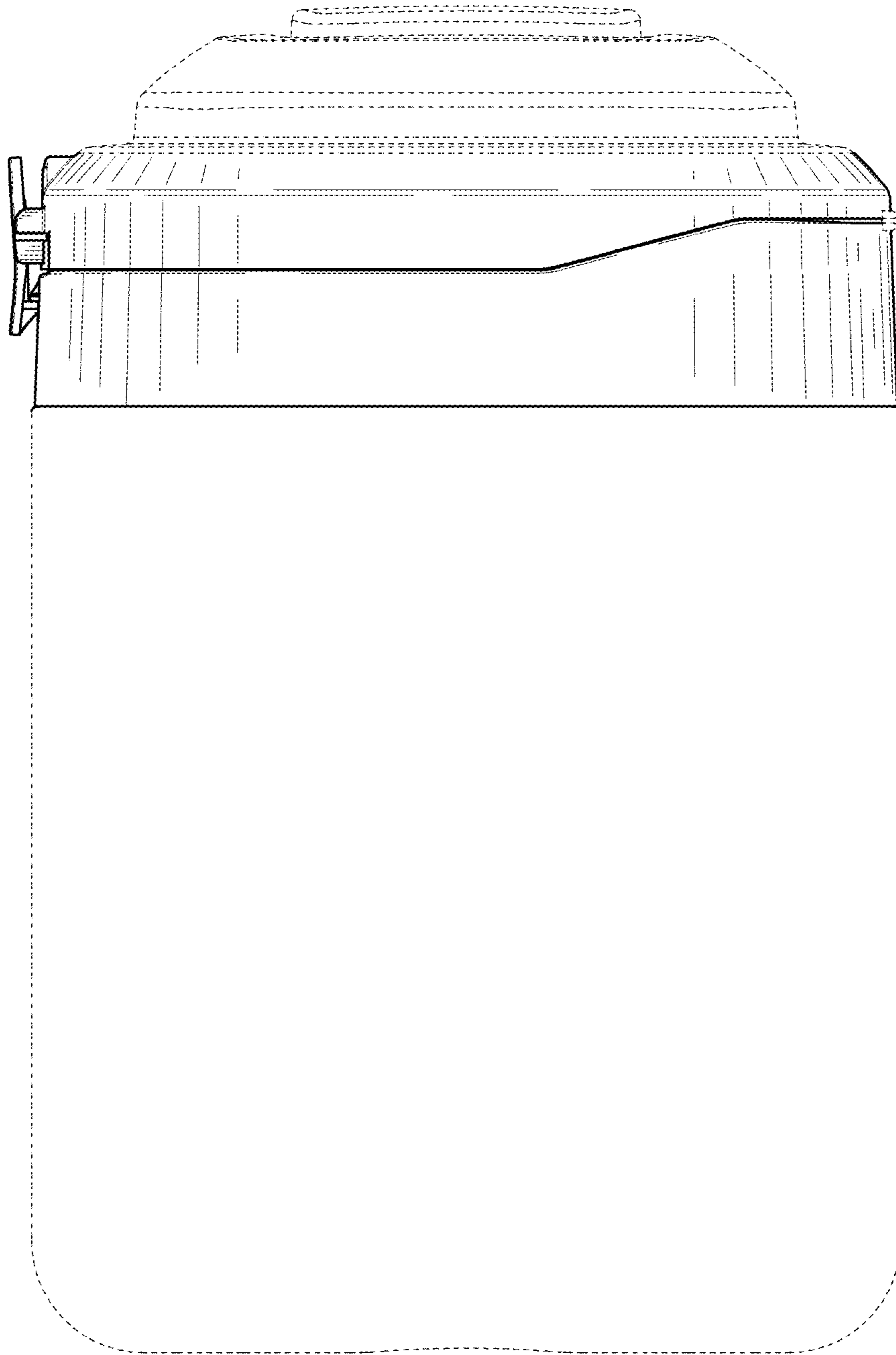


Fig. 6

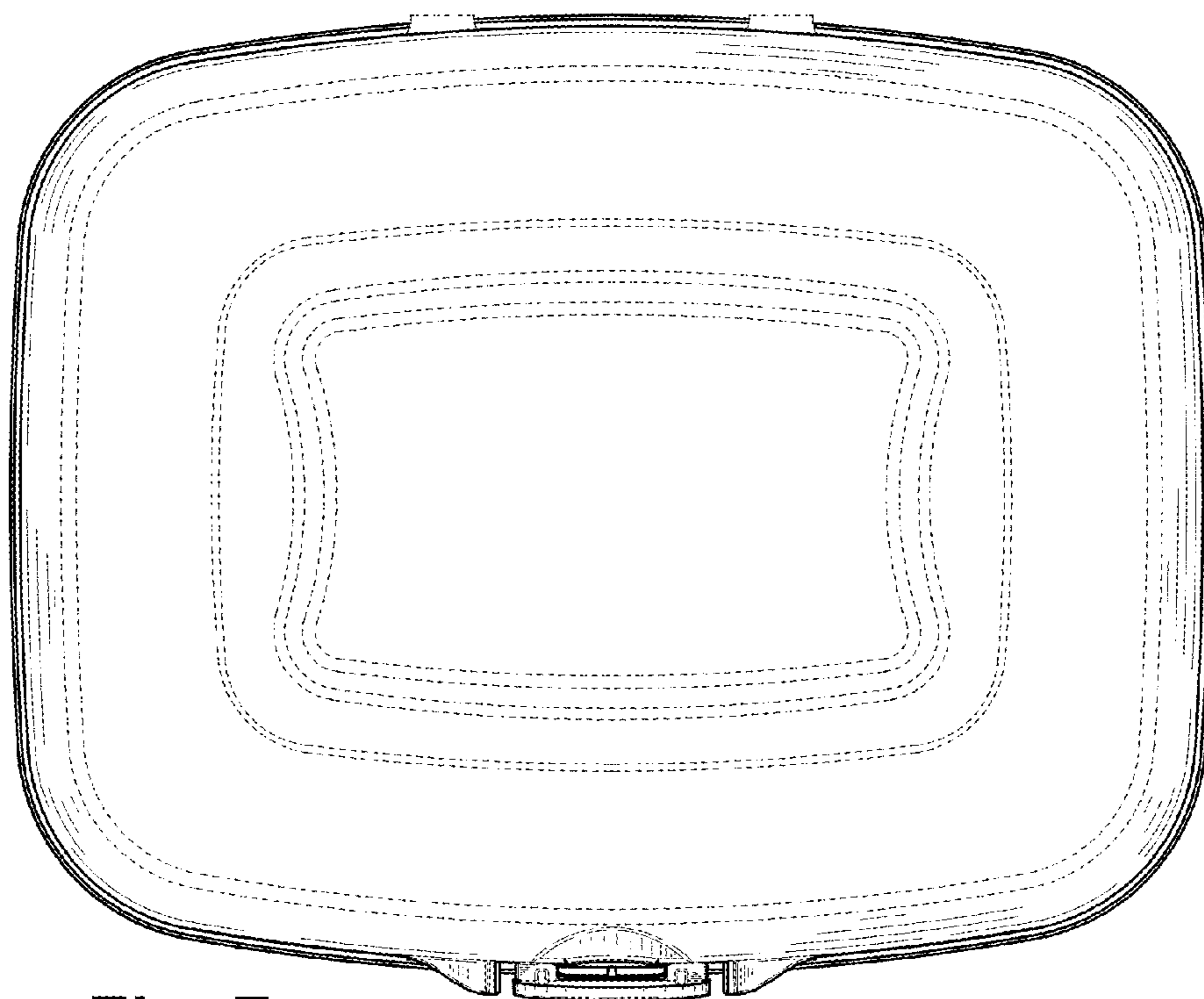


Fig. 7

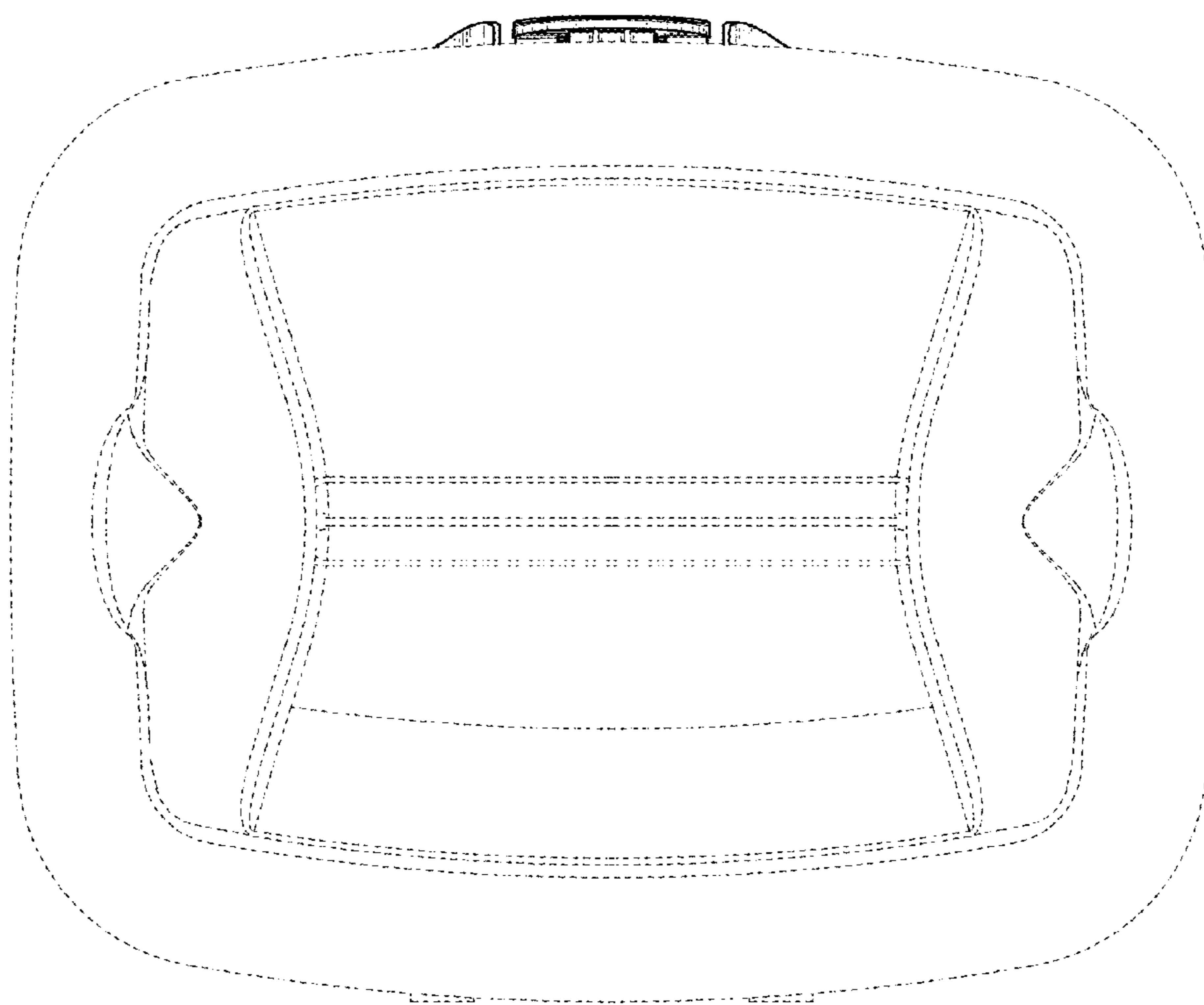


Fig. 8

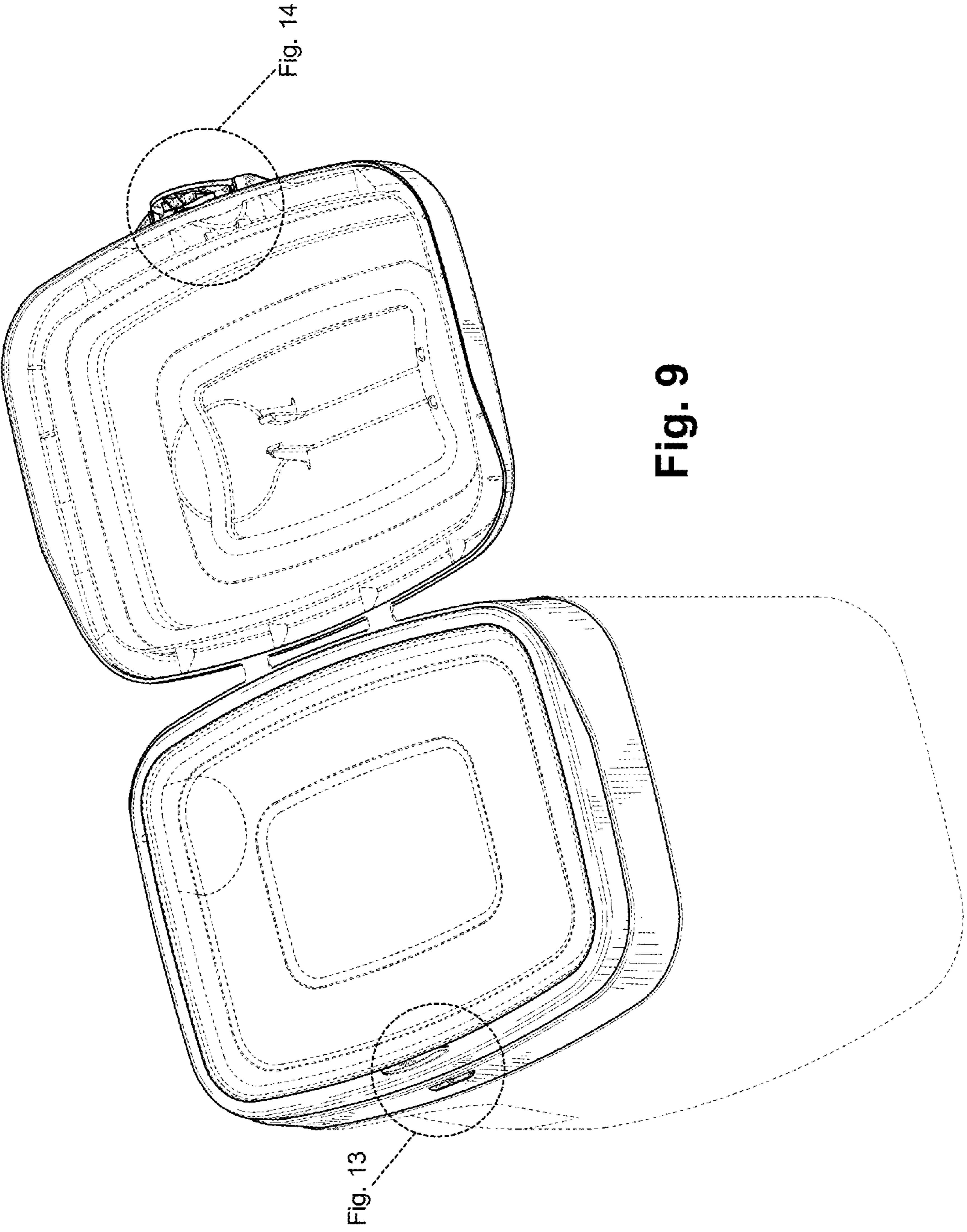


Fig. 9

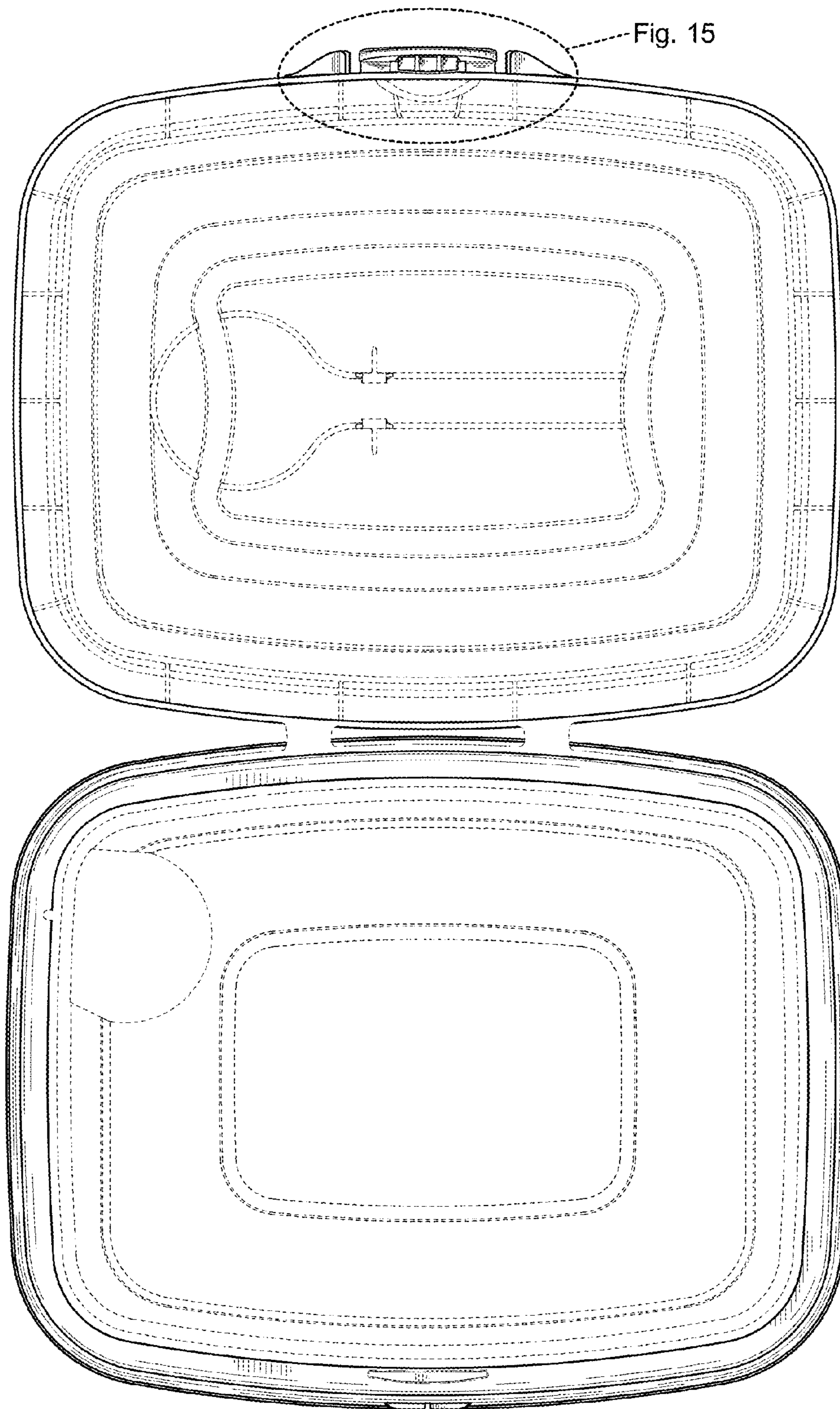


Fig. 10

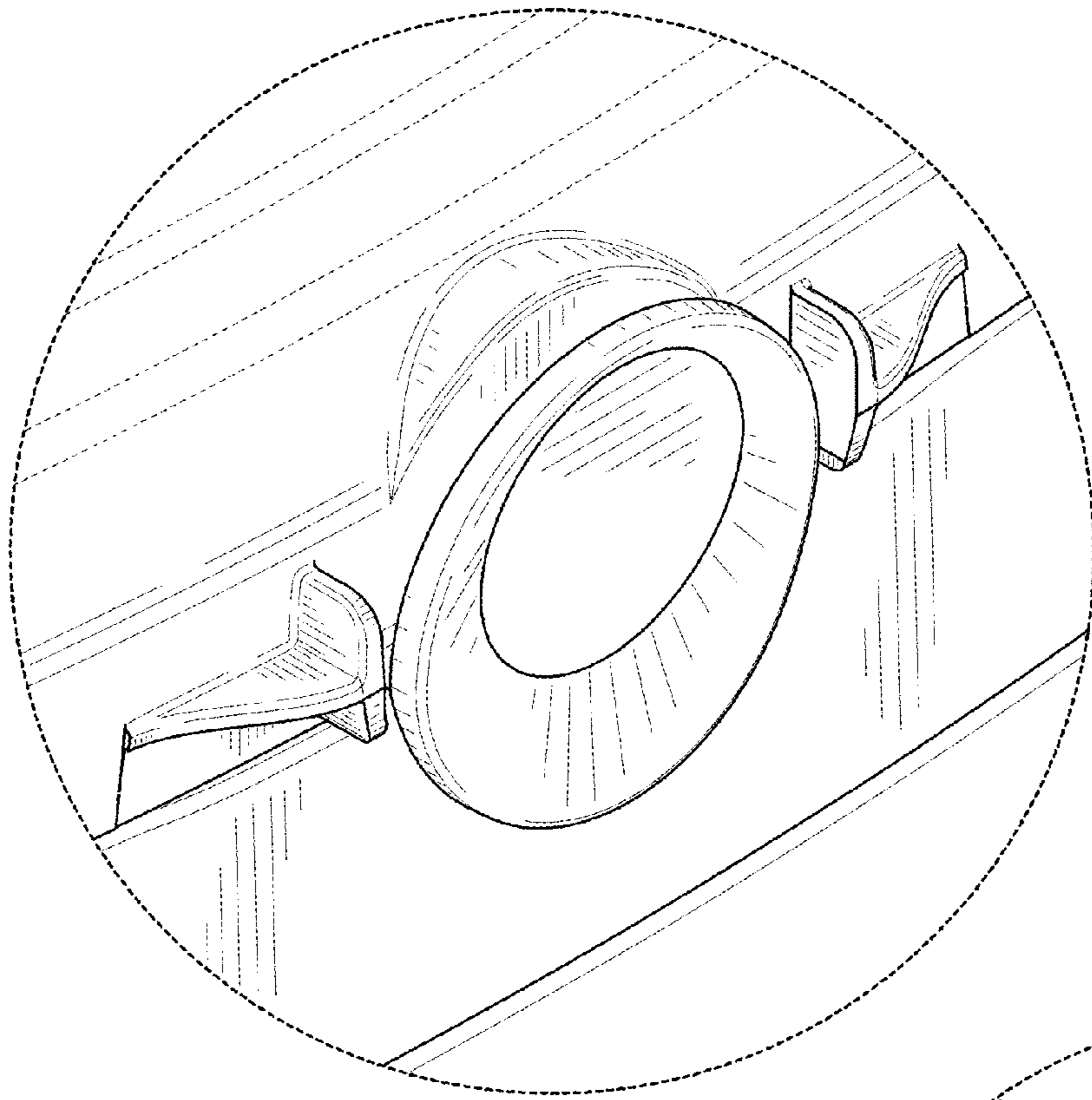


Fig. 11

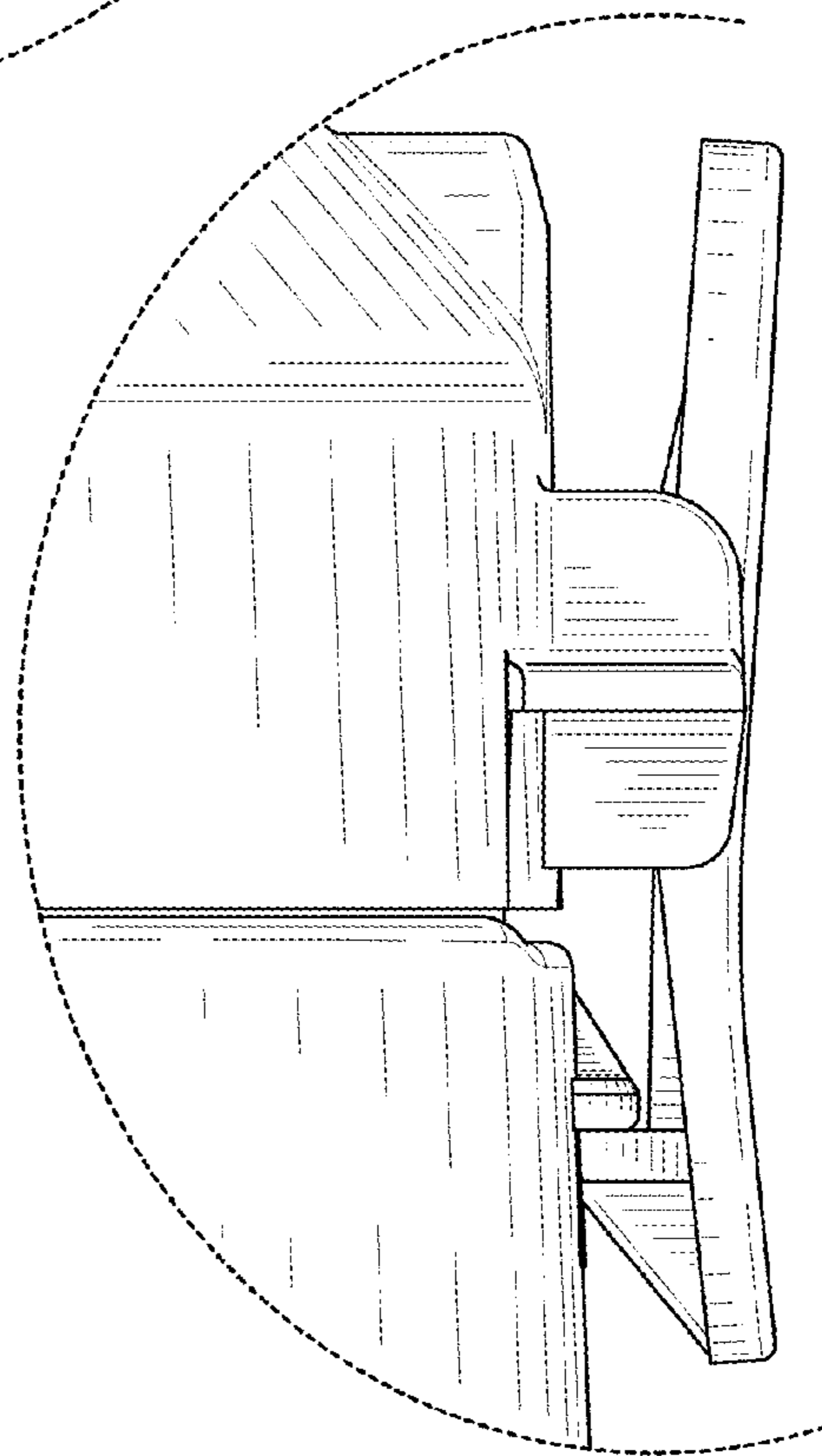


Fig. 12

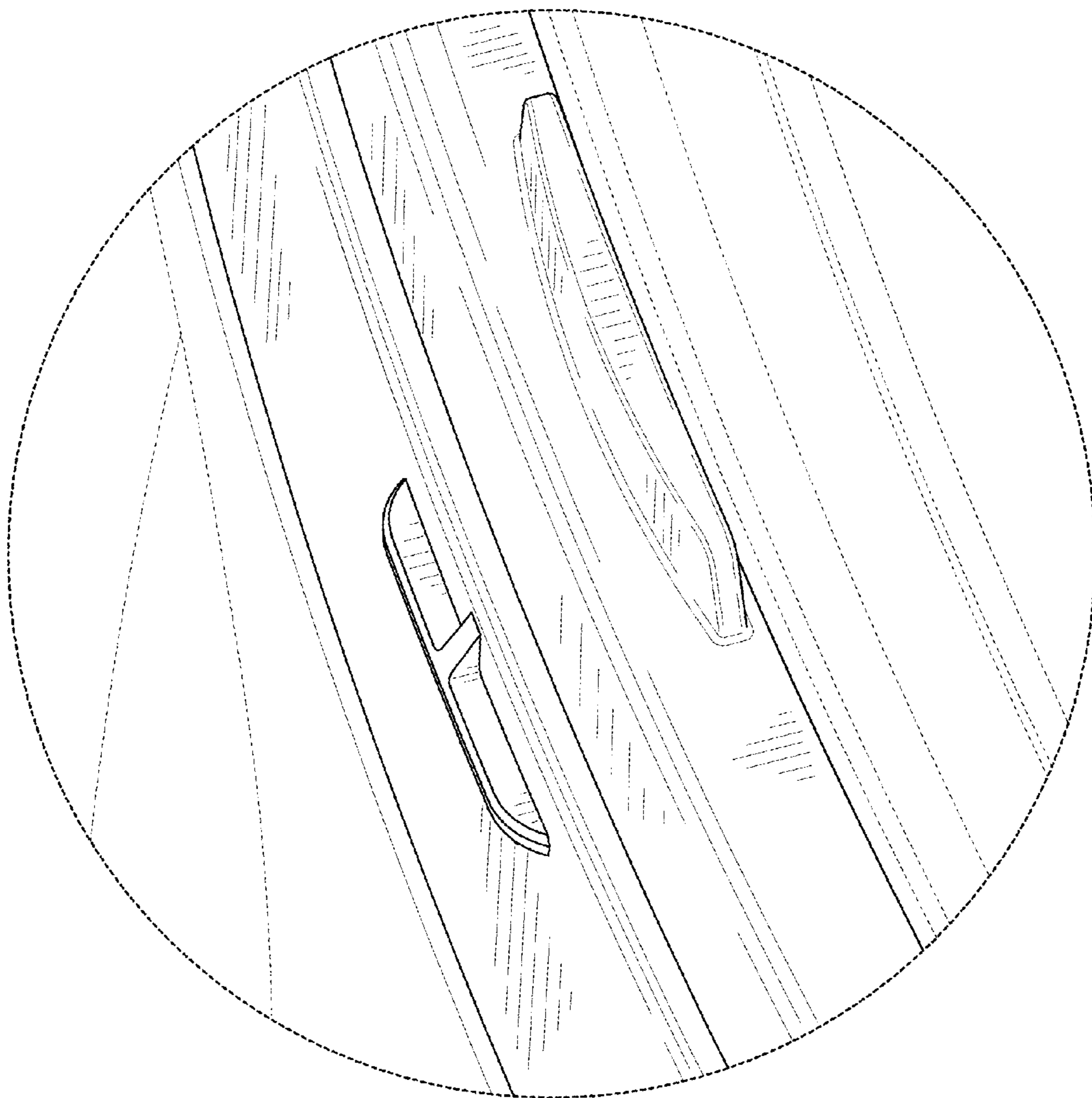


Fig. 13

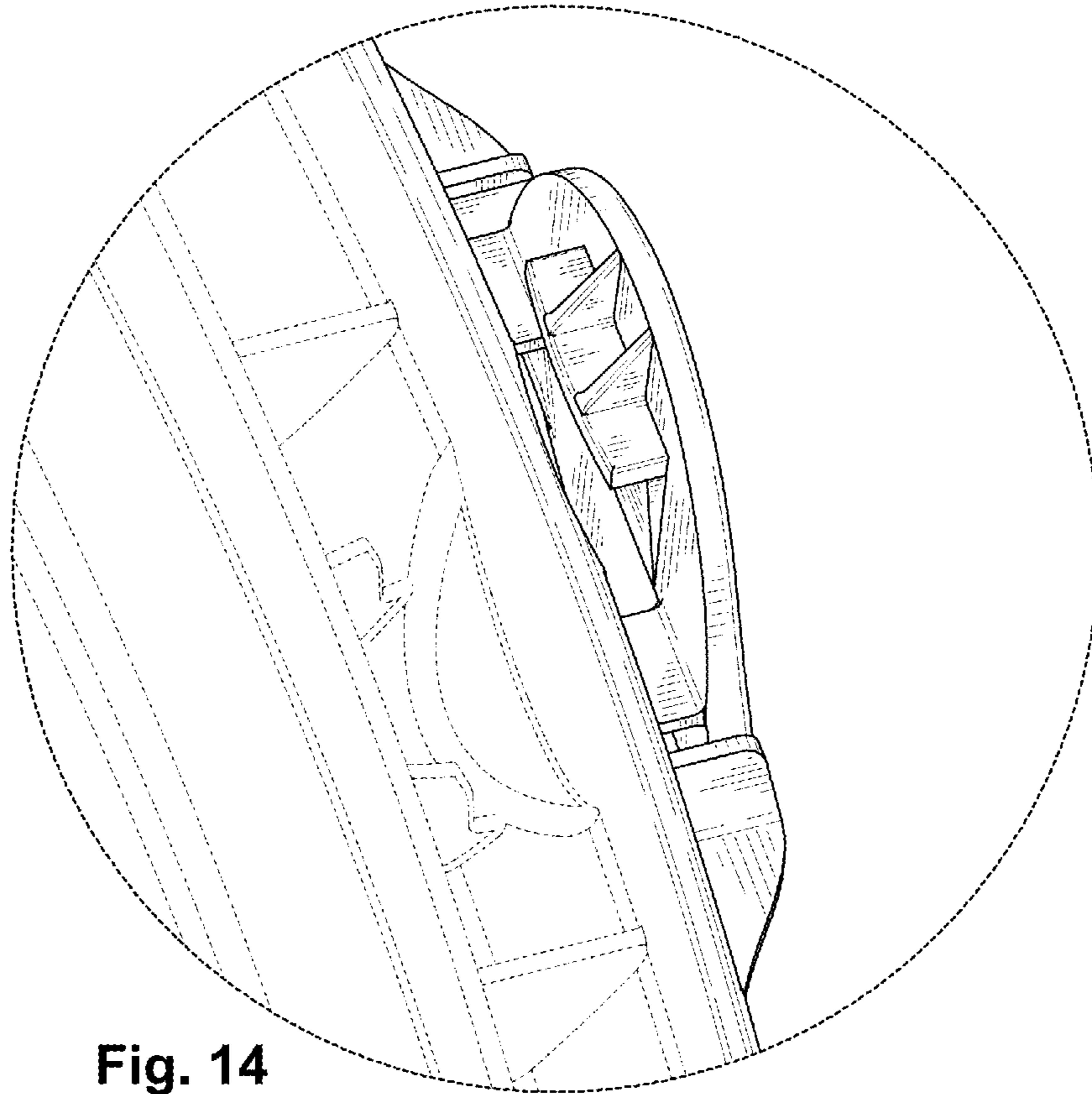


Fig. 14

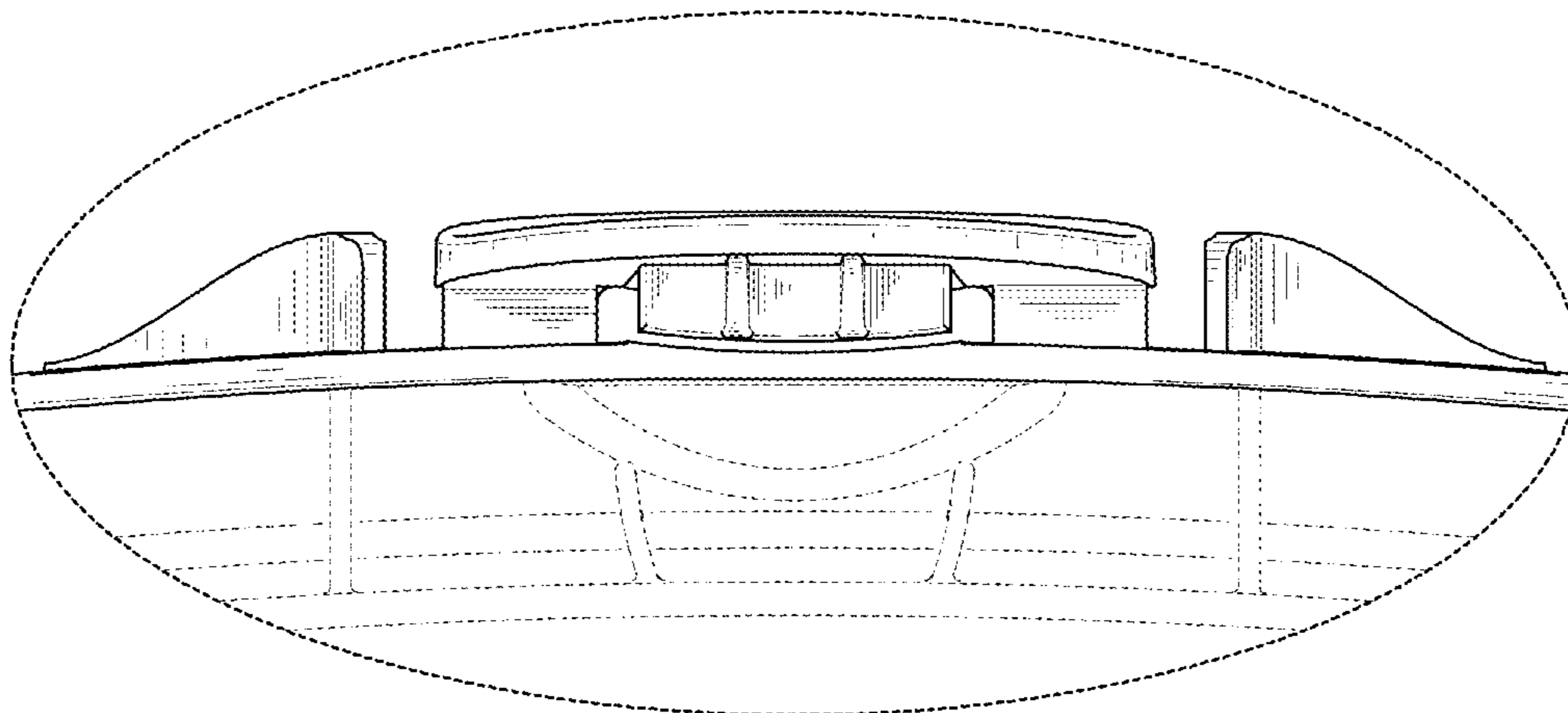


Fig. 15