



US00D751210S

(12) **United States Design Patent**
Thomas

(10) **Patent No.:** **US D751,210 S**
(45) **Date of Patent:** **** Mar. 8, 2016**

(54) **ACTIVITY AND PHYSIOLOGICAL MONITORING APPARATUS WORN ON THE LIMB**

(71) Applicant: **Richard Thomas**, Kimbolton (GB)

(72) Inventor: **Richard Thomas**, Kimbolton (GB)

(**) Term: **14 Years**

(21) Appl. No.: **29/508,038**

(22) Filed: **Dec. 17, 2014**

(51) **LOC (10) Cl.** **24-02**

(52) **U.S. Cl.**
USPC **D24/186**

(58) **Field of Classification Search**
USPC D24/165–168, 186, 187, 107, 200;
D10/70, 75, 97, 98, 30–32, 38;
600/301, 382–384, 386, 390, 483,
600/500–503, 508, 509, 513; 128/DIG. 15;
D11/3, 4; D14/341, 344
CPC A61B 5/6803; A61B 5/681; A61B 5/6824;
A61B 5/6825; A61B 5/024; A61B 5/02405;
A61B 5/02438
See application file for complete search history.

(56) **References Cited**

U.S. PATENT DOCUMENTS

D323,993 S * 2/1992 Lee D10/30
D493,371 S * 7/2004 Streltsov D10/30
D519,856 S * 5/2006 Tonohori D10/38

D535,205 S * 1/2007 Frederick D10/104.1
D538,687 S * 3/2007 Komulainen D10/32
7,341,561 B2 * 3/2008 Tanaka A61B 5/02438
600/344
D637,094 S * 5/2011 Cobbett D10/32
D639,955 S * 6/2011 Riobo Aboy D24/165
D654,814 S * 2/2012 Kumano D10/32
D667,126 S * 9/2012 Cho D24/186
D680,651 S * 4/2013 Lumme D24/167
D720,074 S * 12/2014 Suvilaakso D24/167
2009/0143689 A1 * 6/2009 Berry A63B 24/00
600/508

* cited by examiner

Primary Examiner — Anhdao Doan

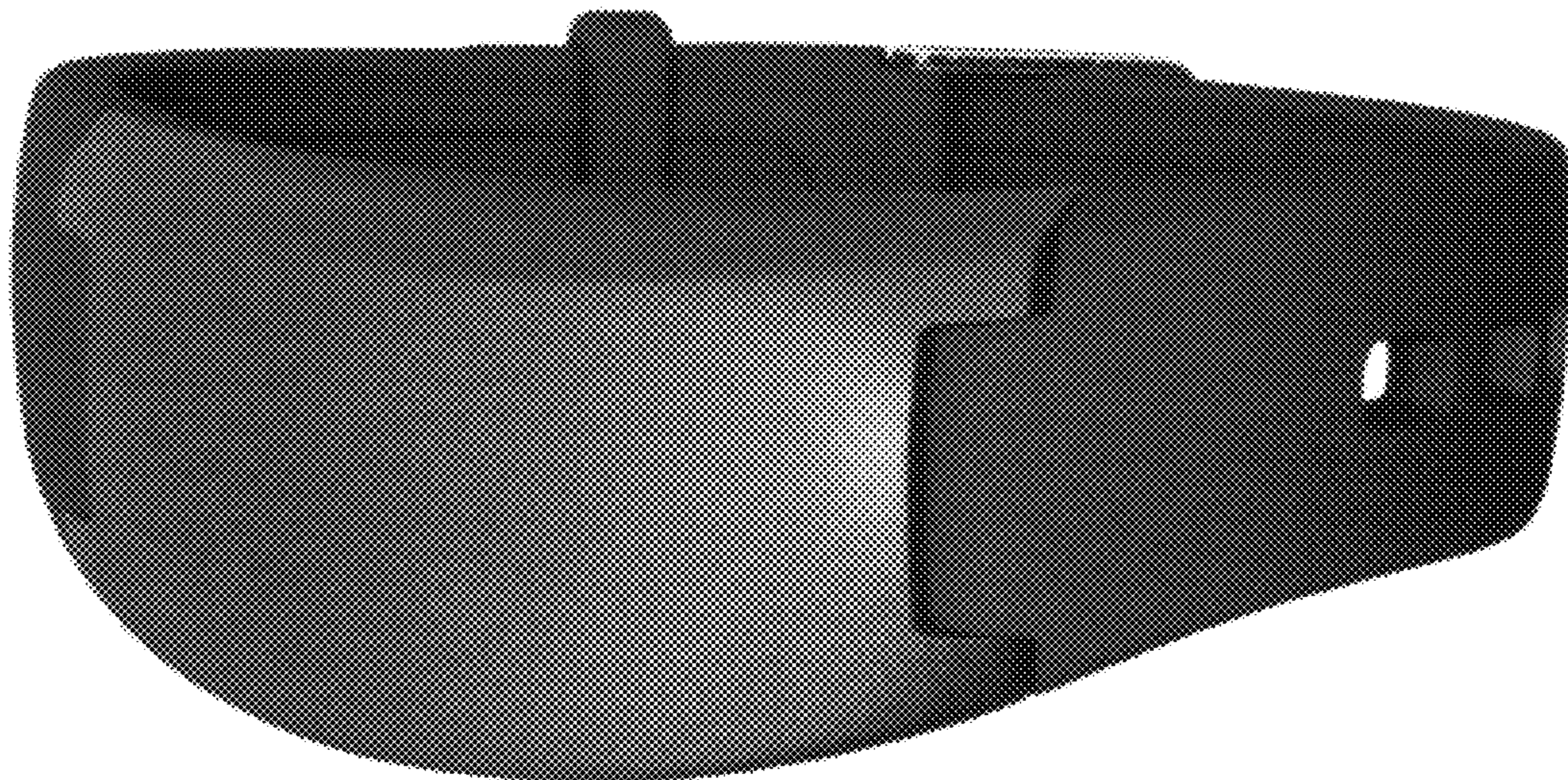
(57) **CLAIM**

The ornamental design for an activity and physiological monitoring apparatus worn on the limb, as shown and described.

DESCRIPTION

FIG. 1 is a side perspective view of an activity and physiological monitoring apparatus worn on the limb showing my new design;
FIG. 2 is a rear perspective view thereof;
FIG. 3 is a top view thereof;
FIG. 4 is a front perspective view thereof;
FIG. 5 is a top perspective view thereof;
FIG. 6 is a rear view thereof; and,
FIG. 7 is a bottom perspective view thereof.

1 Claim, 7 Drawing Sheets



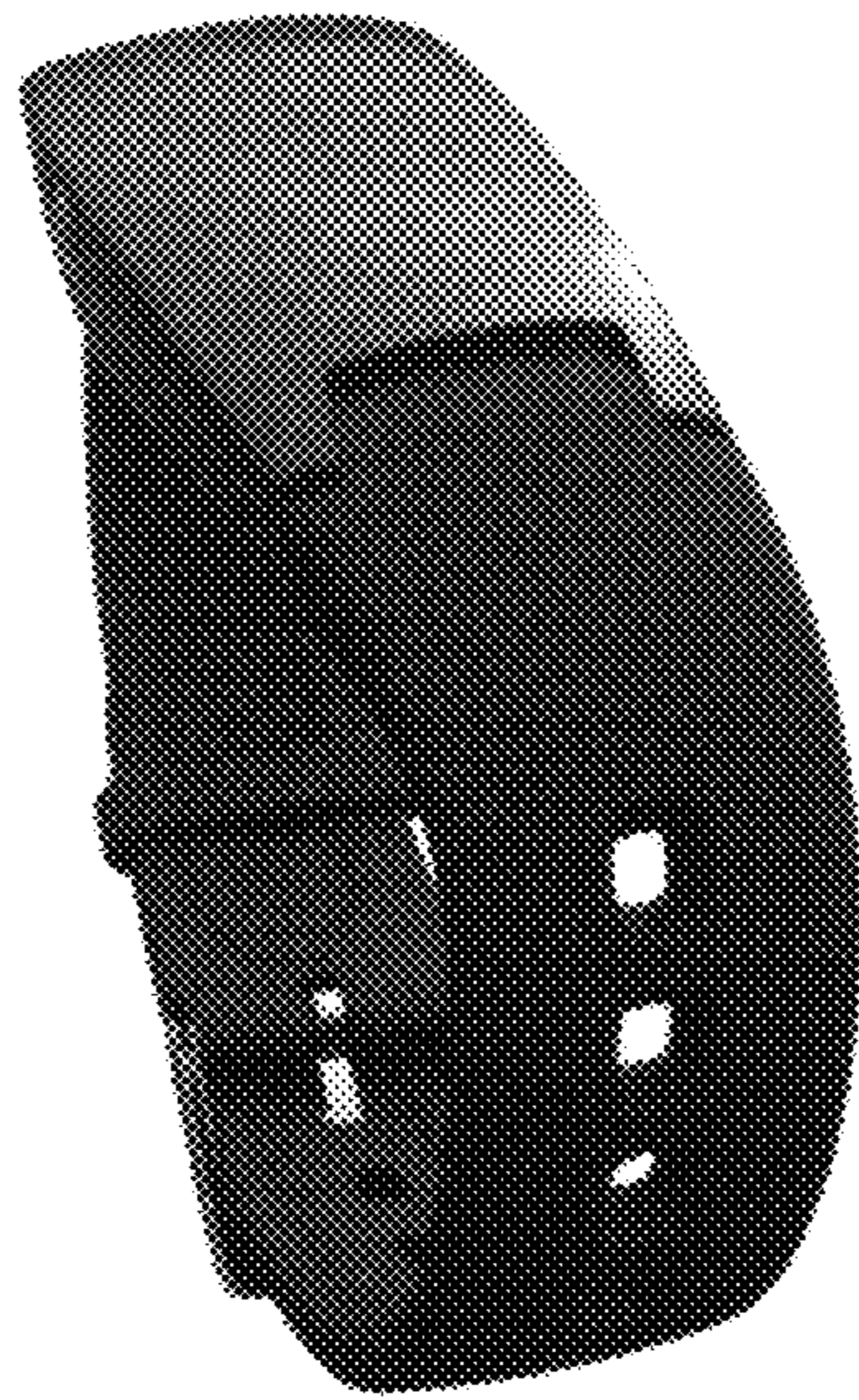


Fig. 1



Fig. 2

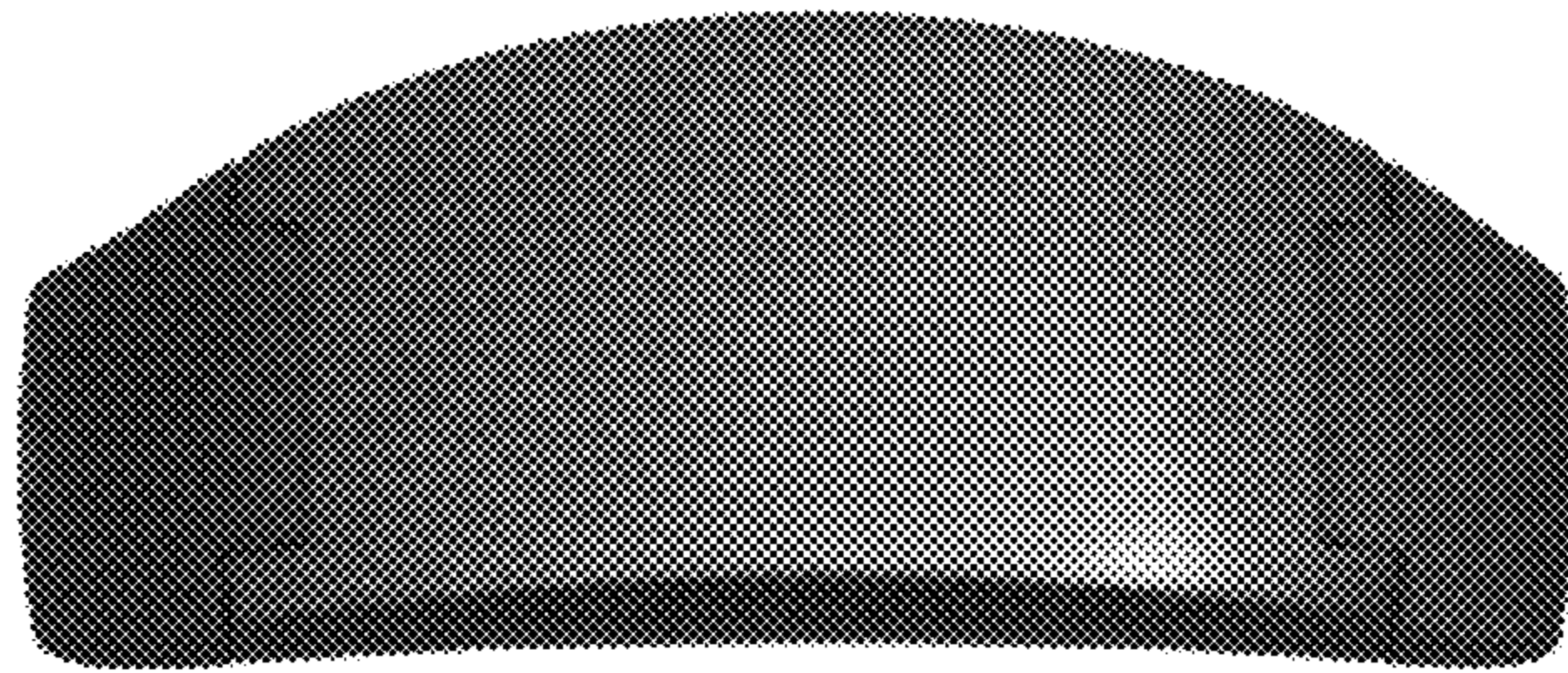


Fig. 3



Fig. 4

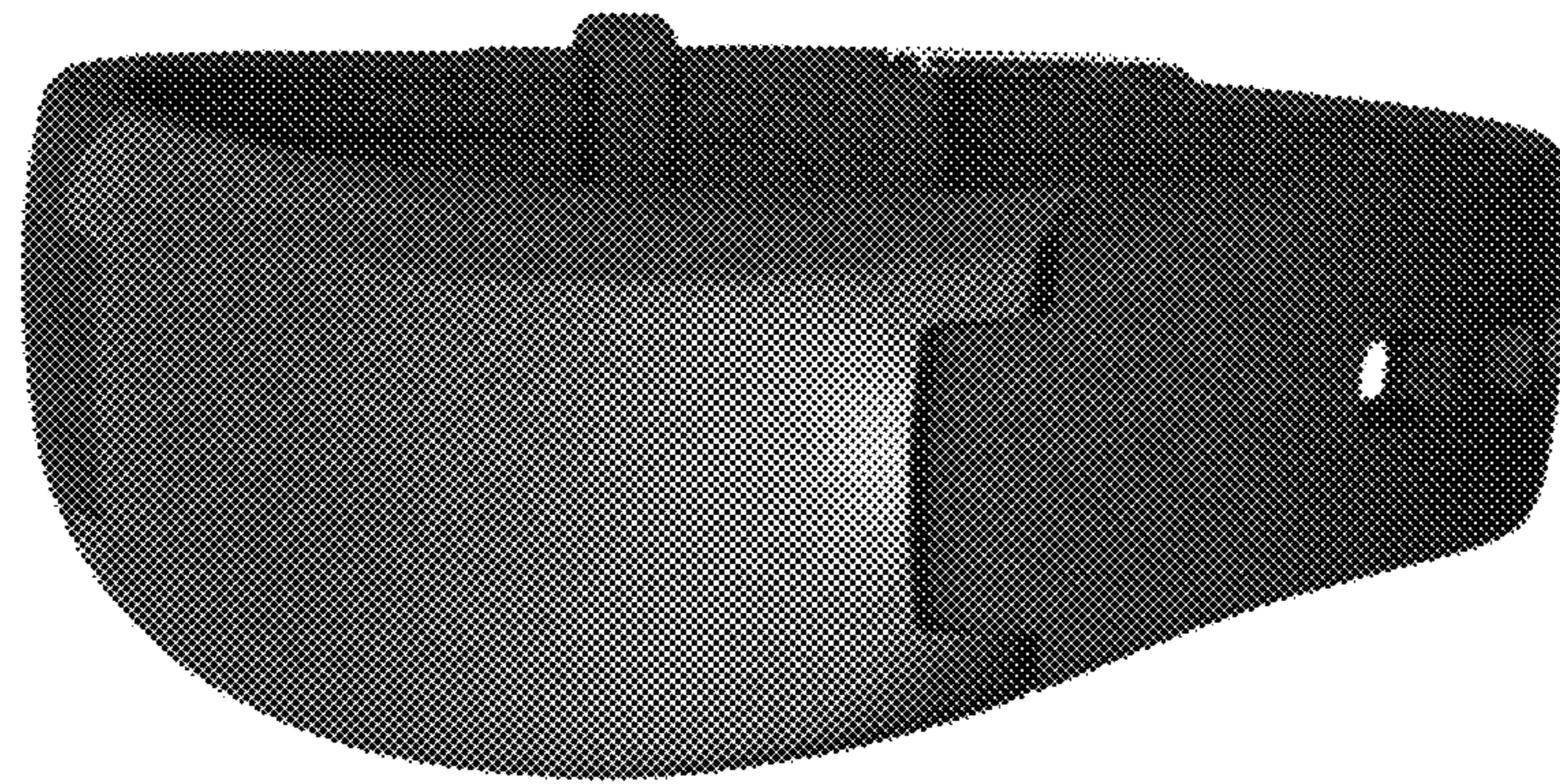


Fig. 5



Fig. 6



Fig. 7