



US00D751209S

(12) **United States Design Patent**  
**DiMino et al.**

(10) **Patent No.:** **US D751,209 S**  
(45) **Date of Patent:** **\*\* Mar. 8, 2016**

(54) **MOBILE CONSOLE**

(56) **References Cited**

(71) Applicant: **ORIGIN, INC.**, Princeton, NJ (US)  
(72) Inventors: **Andre DiMino**, Woodcliff Lake, NJ (US); **Matthew Drummer**, Fort Lee, NJ (US); **Mikolaj Mlynek**, West New York, NJ (US); **Howard A. Nelson, III**, Lawrenceville, NJ (US); **Michael D. Preston**, Orangeburg, NY (US)

U.S. PATENT DOCUMENTS

D387,168	S	*	12/1997	Edelman	.....	D24/186
D486,915	S	*	2/2004	Warschewske	.....	D24/185
D550,362	S	*	9/2007	Olivera	.....	D24/185
D561,342	S	*	2/2008	Zimmer	.....	D24/185
D611,610	S	*	3/2010	Fleck	.....	D24/185
D613,866	S	*	4/2010	Tanaka	.....	D24/185
2007/0086954	A1	*	4/2007	Miller	.....	A61K 31/4709 424/45

\* cited by examiner

(73) Assignee: **Origin, Inc.**, Princeton, NJ (US)

*Primary Examiner* — Anhdao Doan

(\*\*) Term: **14 Years**

(74) *Attorney, Agent, or Firm* — Kacvinsky Daisak Bluni PLLC

(21) Appl. No.: **29/495,121**

(57) **CLAIM**

The ornamental design for a mobile console, substantially as shown and described.

(22) Filed: **Jun. 27, 2014**

**DESCRIPTION**

(51) **LOC (10) Cl.** ..... **24-02**

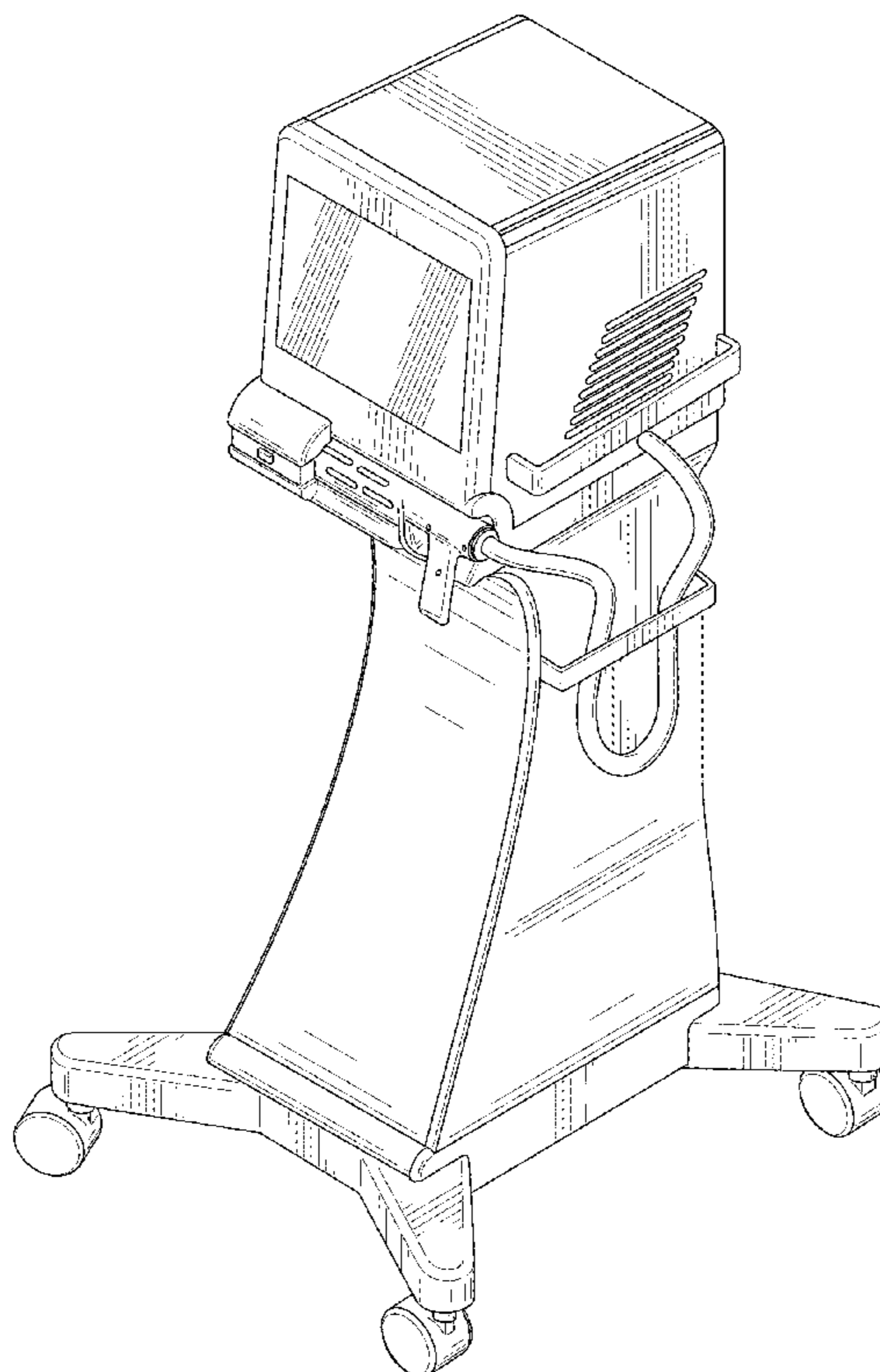
(52) **U.S. Cl.**  
USPC ..... **D24/186; D24/185**

(58) **Field of Classification Search**  
USPC ..... D24/185, 186, 187, 107, 108; 424/45, 424/718; 604/26, 65-67; 128/DIG. 13; D14/307; 280/47.34, 47.35, 79.3, 280/79.11, 187.01

FIG. 1 is a perspective view of my new design; FIG. 2 is a front view of the design of FIG. 1; FIG. 3 is a rear view of the design of FIG. 1; FIG. 4 is a right side view of the design of FIG. 1; FIG. 5 is a left side view of the design of FIG. 1; FIG. 6 is a top view of the design of FIG. 1; and, FIG. 7 is a bottom view of the design of FIG. 1. The broken lines in FIG. 3 are included for the purpose of illustrating portions of the mobile console that form no part of the claimed design.

CPC ..... A61B 2019/0248; A61B 2019/025  
See application file for complete search history.

**1 Claim, 7 Drawing Sheets**



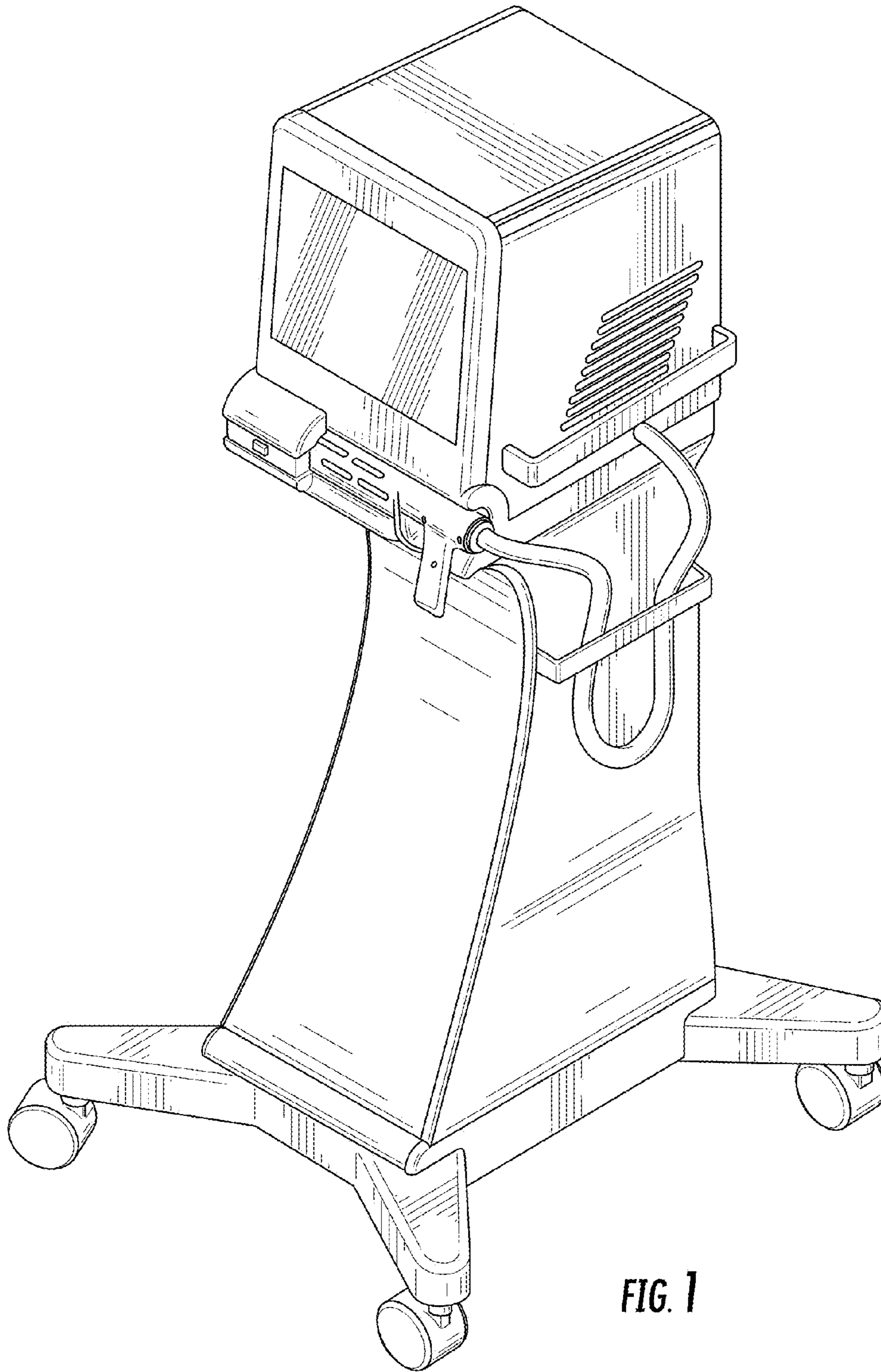


FIG. 1

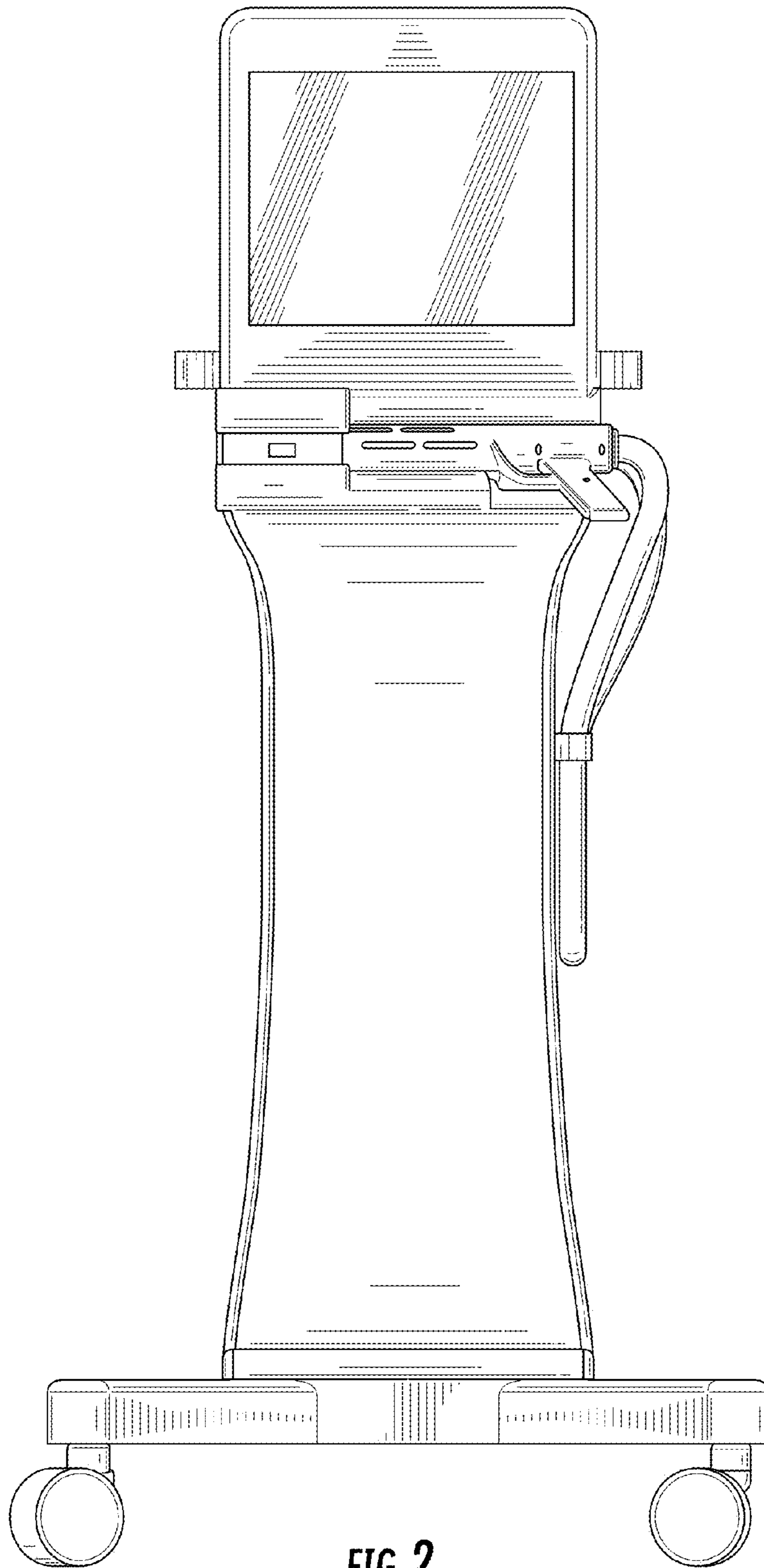


FIG. 2

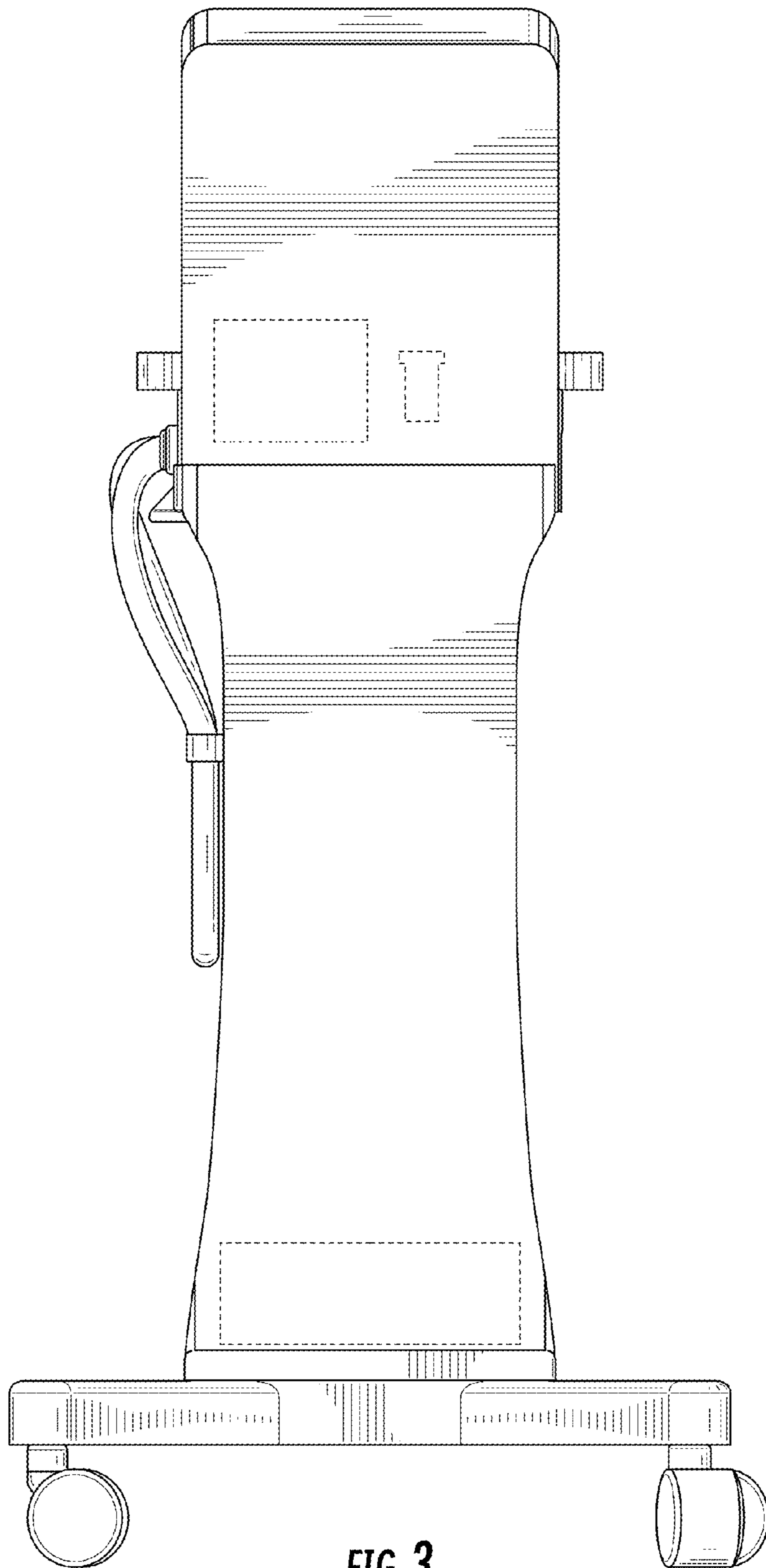


FIG. 3

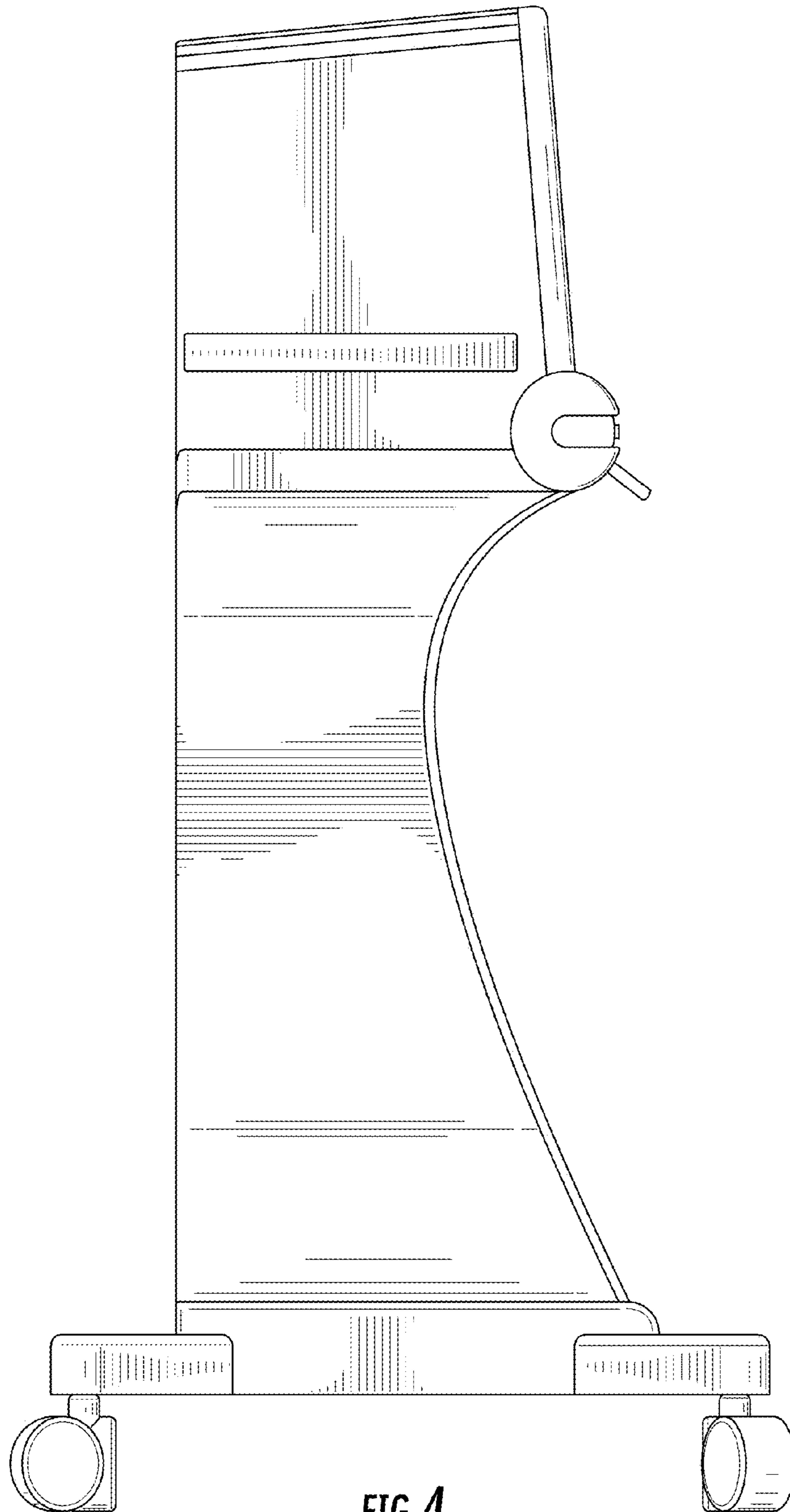


FIG. 4

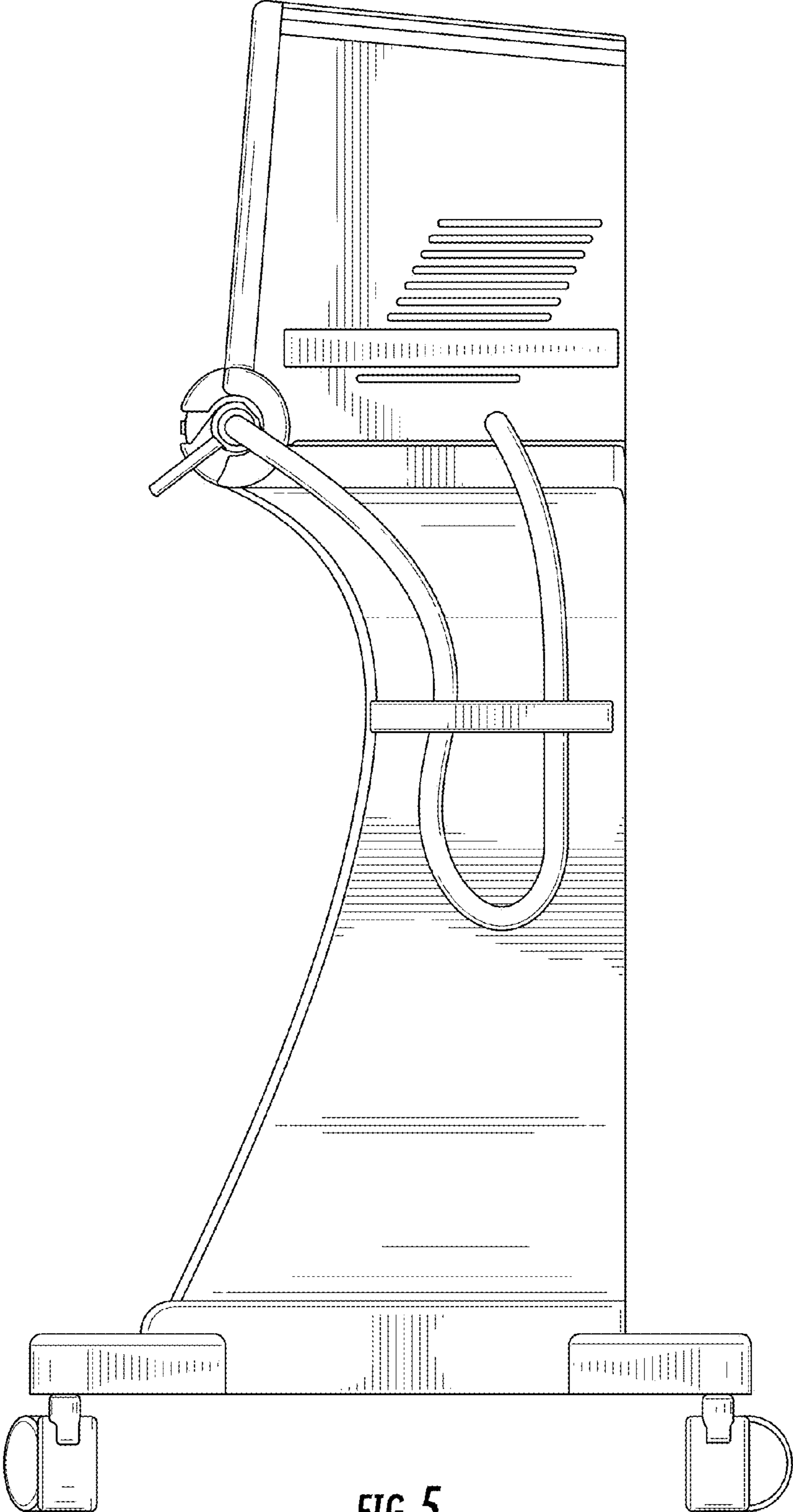


FIG. 5

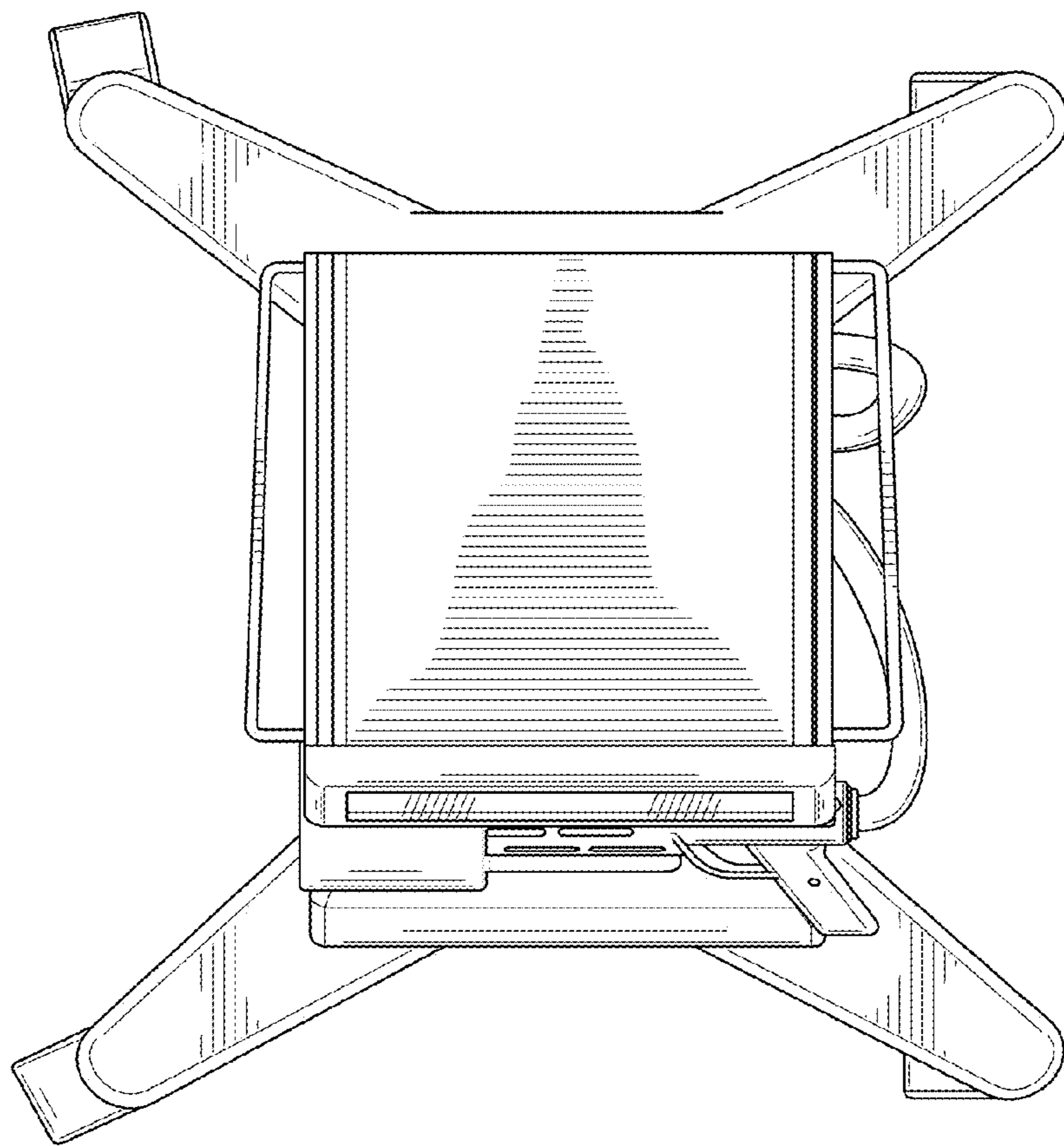


FIG. 6

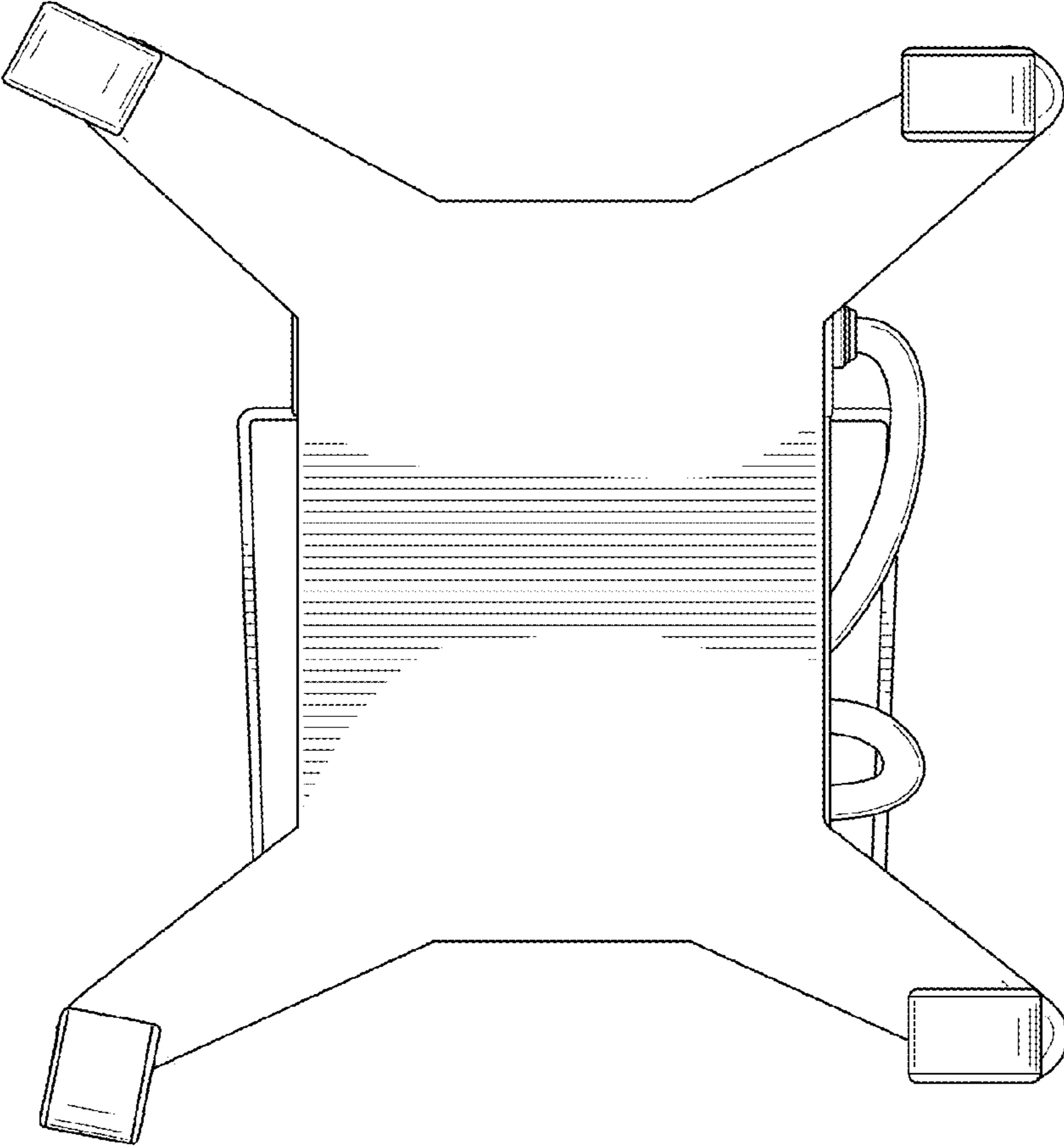


FIG. 7