



US00D751208S

(12) **United States Design Patent**
Voudouris

(10) **Patent No.:** **US D751,208 S**
(45) **Date of Patent:** **** Mar. 8, 2016**

(54) **ORTHODONTIC APPLIANCE**
(71) Applicant: **Orthoarm, Inc.**, Toronto (CA)
(72) Inventor: **John Voudouris**, Toronto (CA)
(73) Assignee: **Orthoarm, Inc.**, Toronto (CA)
(**) Term: **14 Years**
(21) Appl. No.: **29/506,898**
(22) Filed: **Oct. 21, 2014**
(51) **LOC (10) Cl.** **24-01**
(52) **U.S. Cl.**
USPC **D24/180**
(58) **Field of Classification Search**
USPC D24/176-182; 433/5-11, 15-18, 22,
433/249
CPC A61F 5/566; A61F 5/56
See application file for complete search history.

7,578,672 B2 * 8/2009 Sheikh A61C 7/36
433/19
8,721,326 B2 * 5/2014 Jasper A61C 7/36
433/19
9,101,437 B2 * 8/2015 Ziehmer A61C 7/36
2006/0172251 A1 * 8/2006 Voudouris A61C 7/36
433/18
2013/0177861 A1 * 7/2013 Hayes A61C 7/20
433/19
2014/0072928 A1 * 3/2014 Morin A61C 7/36
433/19
2014/0272759 A1 * 9/2014 Dischinger A61C 7/36
433/19

* cited by examiner

Primary Examiner — Wan Laymon
(74) *Attorney, Agent, or Firm* — McMillan LLP

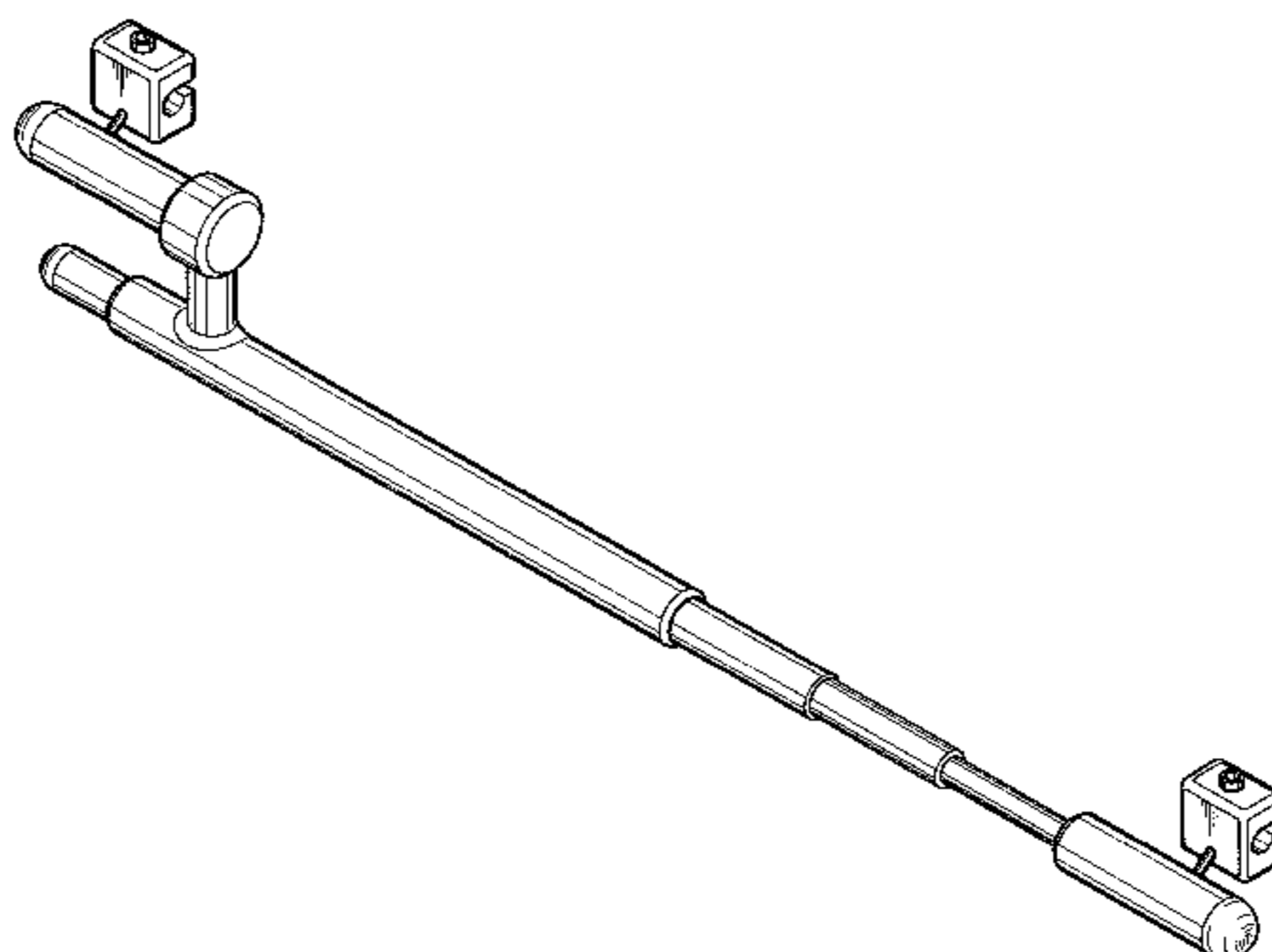
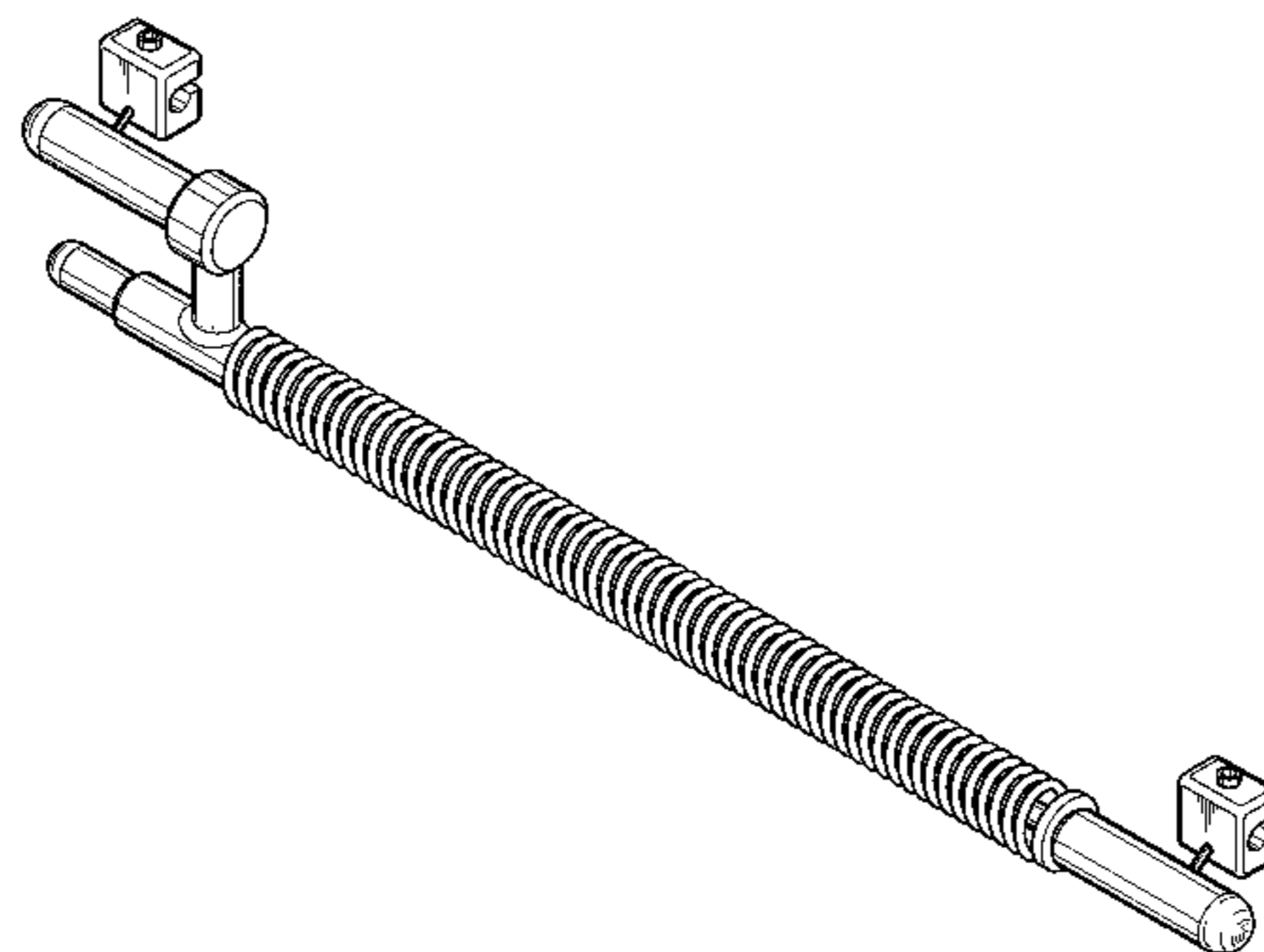
(57) **CLAIM**
The ornamental design for the orthodontic appliance, as shown and described.

DESCRIPTION

FIG. 1 is a perspective view of the orthodontic appliance; FIG. 2 is a top view is a right side view of the design of FIG. 1; FIG. 3 is a right side view of the design of FIG. 1; FIG. 4 is a front view of the design of FIG. 1; FIG. 5 is a left side view of the design of FIG. 1; FIG. 6 is a back view of the design of FIG. 1; FIG. 7 is a bottom view of the design of FIG. 1; and, FIG. 8 is a perspective view of the design of FIG. 1 with the spring element removed. The broken lines shown in the figures represent portions of the orthodontic appliance that form no part of the claimed design.

1 Claim, 4 Drawing Sheets

(56) **References Cited**
U.S. PATENT DOCUMENTS
4,462,800 A * 7/1984 Jones A61C 7/36
433/19
5,964,588 A * 10/1999 Cleary A61C 7/36
433/18
6,012,920 A * 1/2000 Woo A61C 7/10
433/19
6,113,390 A * 9/2000 Sirney A61C 7/36
433/19
6,547,560 B1 * 4/2003 Vazquez A61C 7/36
433/19
7,018,202 B2 * 3/2006 Teramoto A61C 7/22
433/18
7,578,671 B2 * 8/2009 Corcoran A61C 7/36
433/179



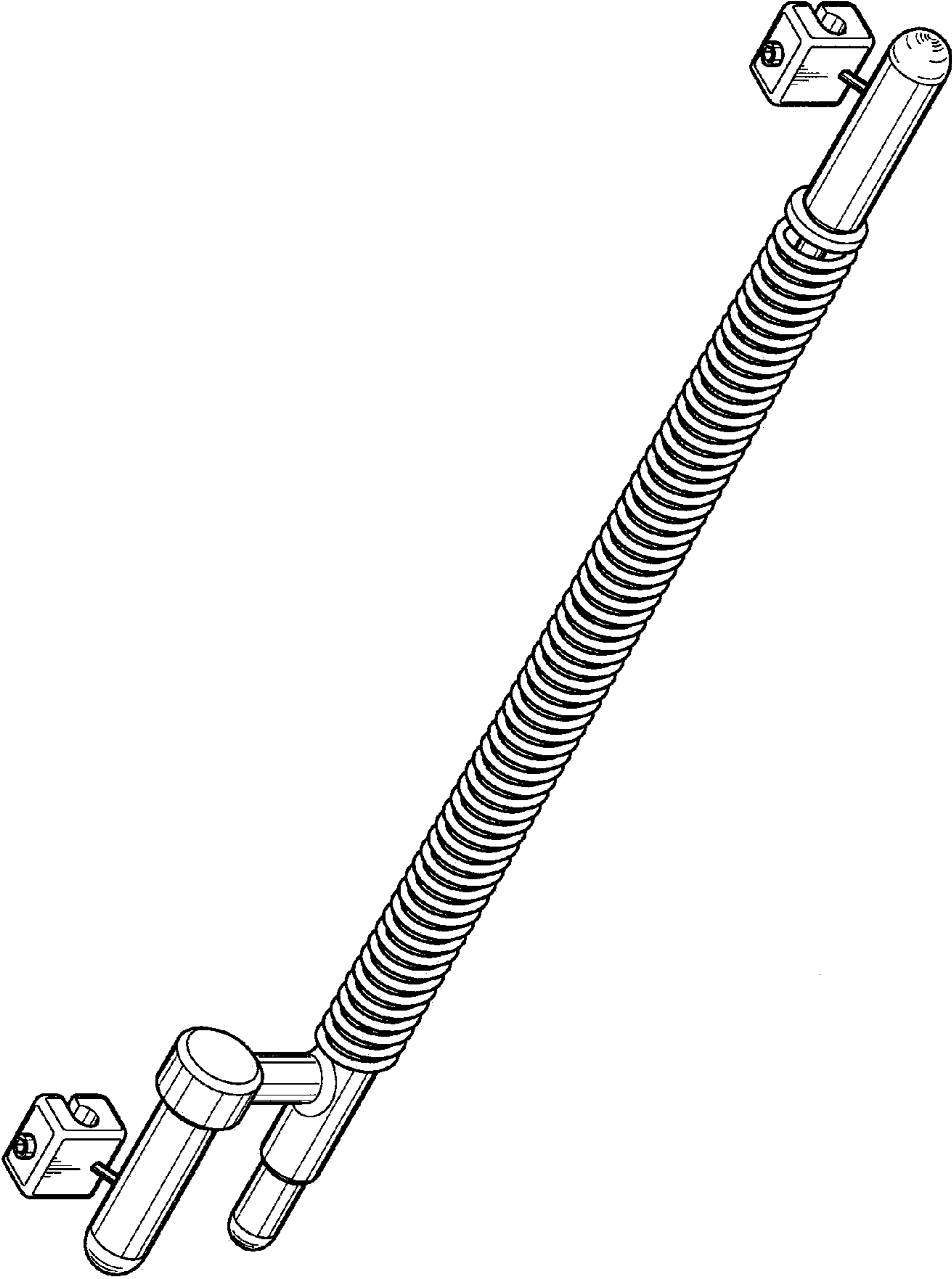


FIG. 1

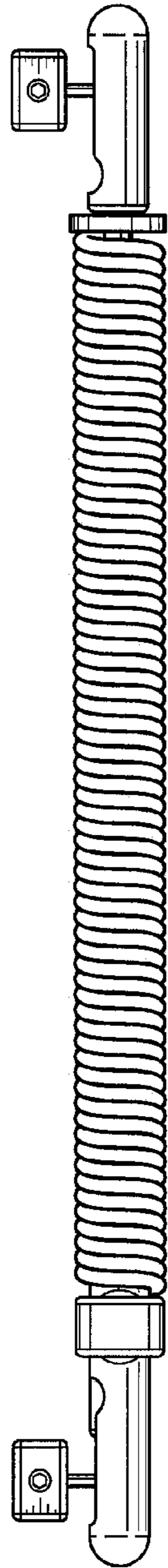


FIG. 2

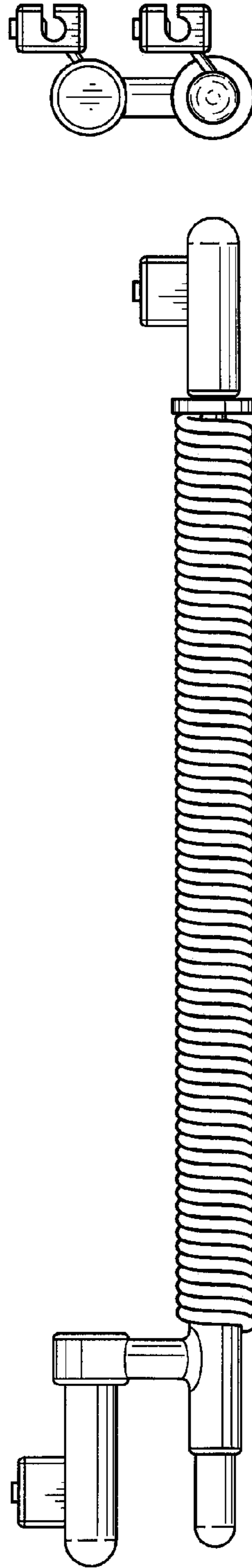


FIG. 3

FIG. 4

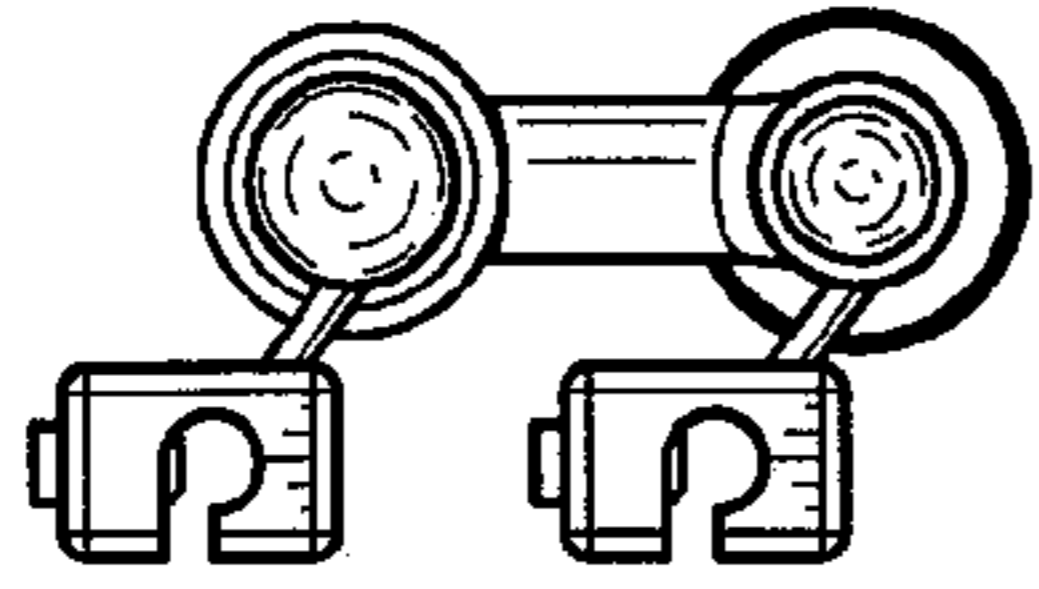


FIG. 6

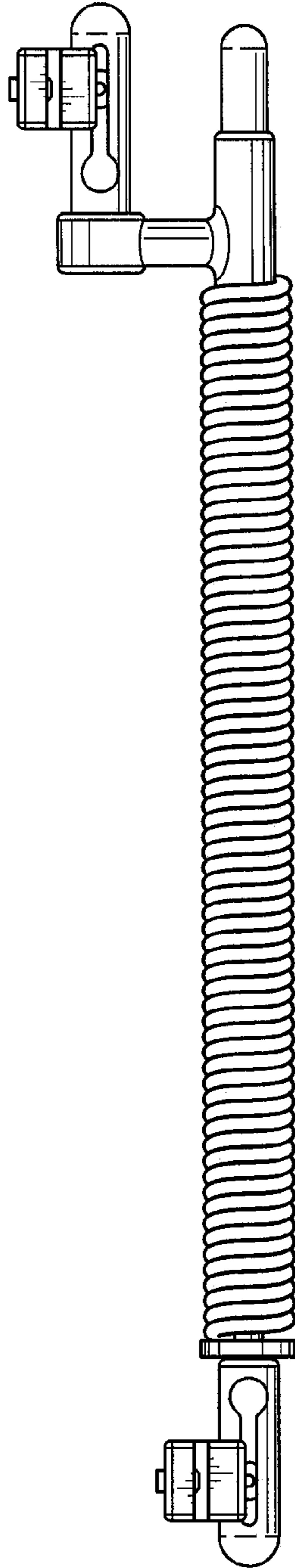


FIG. 5

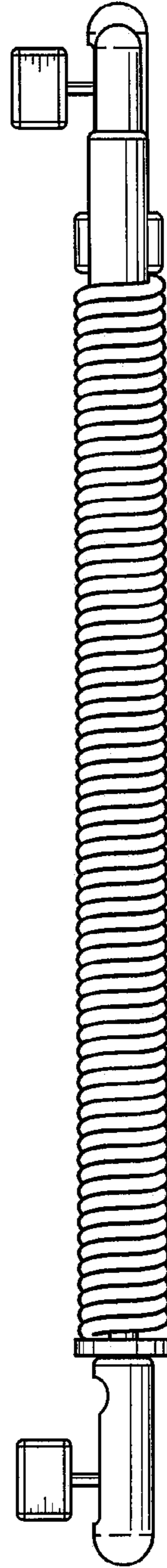


FIG. 7

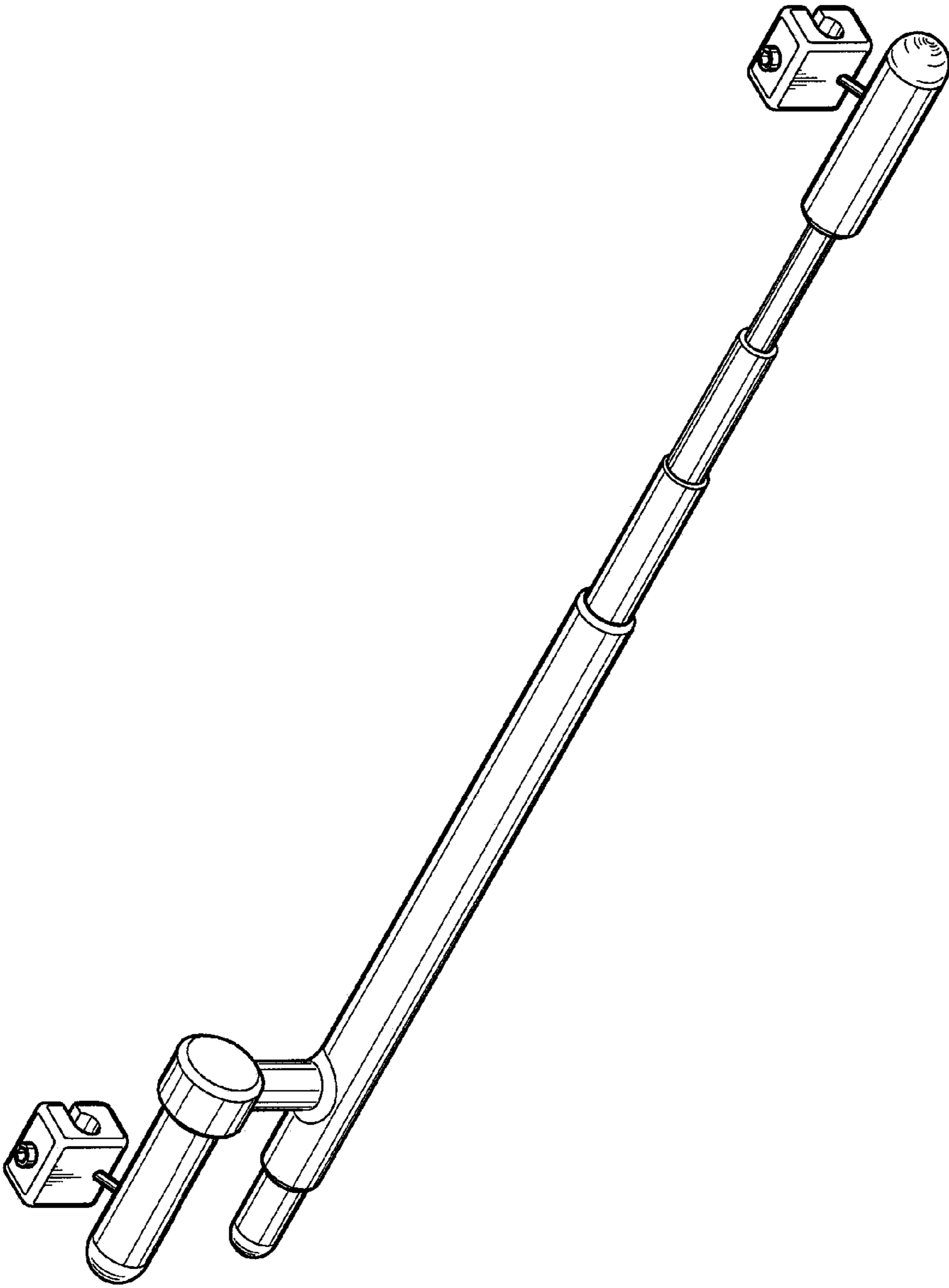


FIG. 8