

US00D751207S

(12) **United States Design Patent**  
**O'Mahony et al.**

(10) **Patent No.:** **US D751,207 S**  
(45) **Date of Patent:** **\*\* Mar. 8, 2016**

(54) **EXTRACORPOREAL BLOOD PROCESSING APPARATUS**

D406,894 S \* 3/1999 Menhennett et al. .... D24/169  
D420,444 S \* 2/2000 McGugan ..... D24/169  
D438,952 S 3/2001 Ciminio

(71) Applicant: **GAMBRO LUNDIA AB**, Lund (SE)

(Continued)

(72) Inventors: **John J. O'Mahony**, Maple Grove, MN (US); **Timothy J. Nadolski**, Maple Grove, MN (US); **Fusu Thao**, St. Paul, MN (US); **Martin J. Behling, III**, Allenton, WI (US); **Roberto Berritta**, Venice (IT); **Steve Bernard**, Eden Prairie, MN (US)

**OTHER PUBLICATIONS**

DM/051905-1 dated May 22, 2000 (4 pages).

(Continued)

*Primary Examiner* — Anhdao Doan

(74) *Attorney, Agent, or Firm* — Mueting, Raasch & Gebhardt, P.A.

(73) Assignee: **Gambro Lundia AB**, Lund (SE)

(\*\*) Term: **14 Years**

(57) **CLAIM**

The ornamental design for an extracorporeal blood processing apparatus, as shown and described.

(21) Appl. No.: **29/493,345**

(22) Filed: **Jun. 9, 2014**

**DESCRIPTION**

(51) **LOC (10) Cl.** ..... **24-01**

(52) **U.S. Cl.**  
USPC ..... **D24/169**

(58) **Field of Classification Search**  
USPC ..... D24/169, 186, 107, 108, 111, 216, 219,  
D24/232; 604/27, 29, 131, 132, 140, 141,  
604/146

See application file for complete search history.

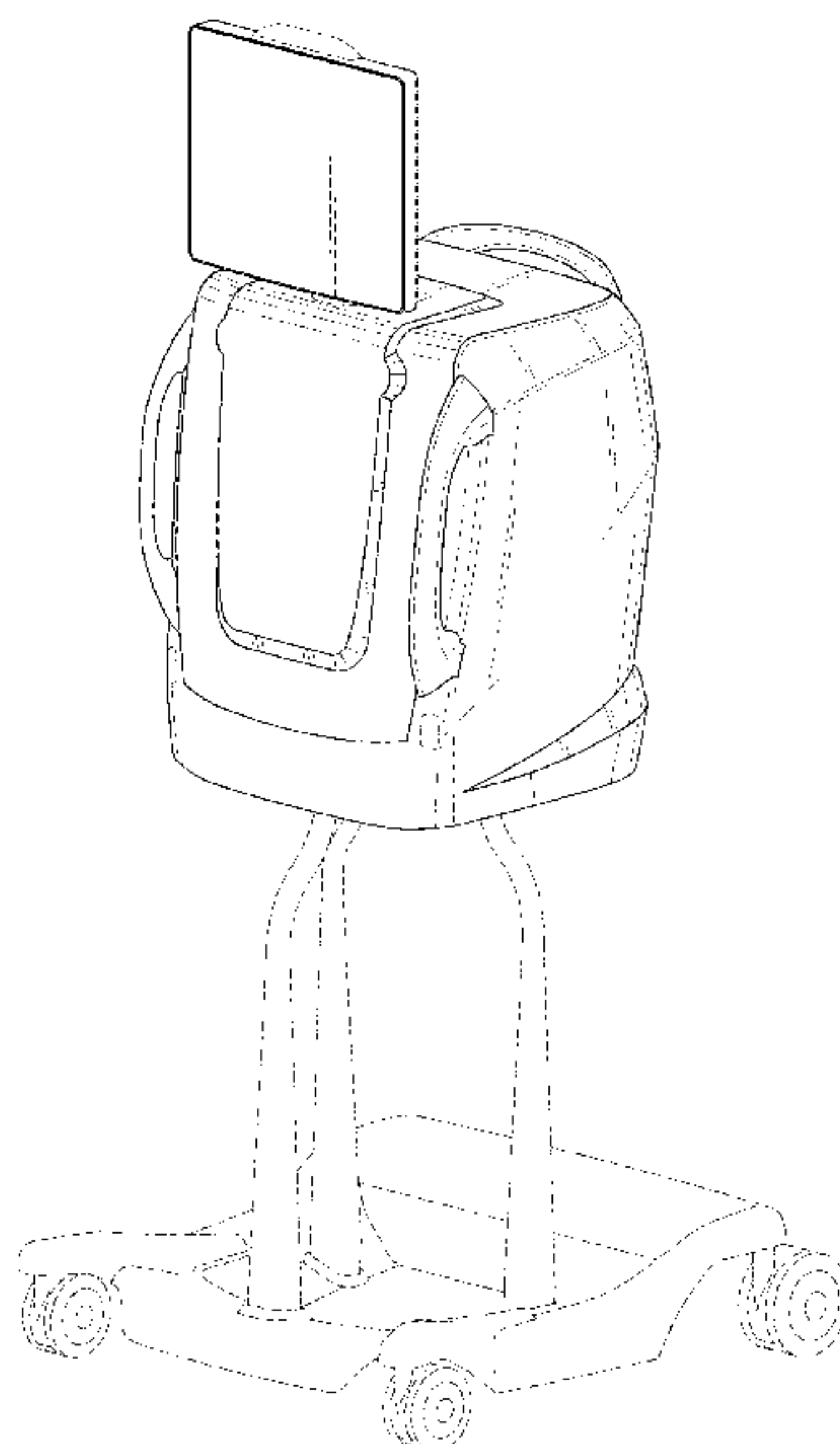
FIG. 1 is a perspective view of one embodiment of an extracorporeal blood processing apparatus of the claimed design; FIG. 2 is a front view of the apparatus of FIG. 1; FIG. 3 is a rear view of the apparatus of FIG. 1; FIG. 4 is a left side view of the apparatus of FIG. 1, the right side view being a mirror image of the left side view; FIG. 5 is a top view of the apparatus of FIG. 1; FIG. 6 is a perspective view of another embodiment of an extracorporeal blood processing apparatus of the claimed design; FIG. 7 is a front view of the apparatus of FIG. 6; FIG. 8 is a rear view of the apparatus of FIG. 6; FIG. 9 is a left side view of the apparatus of FIG. 6; FIG. 10 is a right side view of the apparatus of FIG. 6; and, FIG. 11 is a top view of the apparatus of FIG. 6. The broken lines in the figures do not form a part of the claimed design.

(56) **References Cited**

**U.S. PATENT DOCUMENTS**

D296,821 S	7/1988	Lundgren	
D352,106 S	11/1994	Fanney	
D367,534 S	2/1996	DiPerna	
D383,842 S	9/1997	Kenley	
D389,916 S	1/1998	DiPerna	
D390,654 S	2/1998	Alsberg	
D394,712 S	5/1998	Henderson	
D395,085 S *	6/1998	Kenley et al.	..... D24/169
D406,893 S	3/1999	Menhennett	

**1 Claim, 11 Drawing Sheets**



(56)

References Cited

OTHER PUBLICATIONS

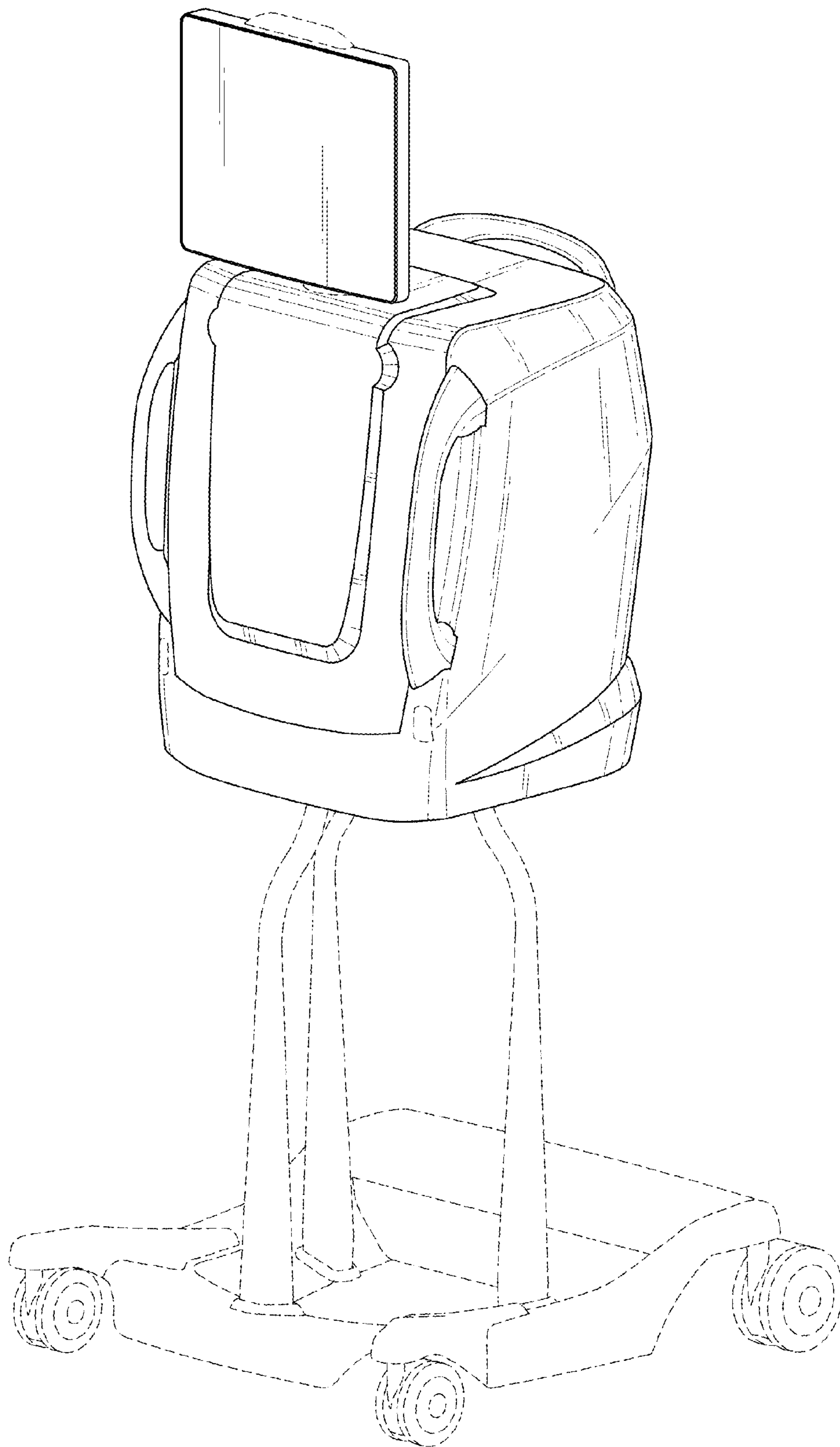
U.S. PATENT DOCUMENTS

D446,860 S \* 8/2001 Meziere et al. .... D24/169  
 D446,861 S 8/2001 Meziere  
 D476,730 S 7/2003 O'Mahony  
 D483,872 S 12/2003 Cruz  
 D484,982 S 1/2004 Cruz  
 D492,034 S 6/2004 Cruz  
 D540,948 S \* 4/2007 Meziere et al. .... D24/169  
 D544,103 S \* 6/2007 Meziere ..... D24/216  
 D550,373 S 9/2007 Meziere  
 D561,342 S 2/2008 Zimmer  
 D607,564 S 1/2010 Crnkovich  
 D608,004 S 1/2010 Crnkovich  
 D611,137 S \* 3/2010 Olsson ..... D24/107  
 D619,241 S 7/2010 Olsson  
 D629,523 S 12/2010 Porter  
 8,182,440 B2 5/2012 Cruz  
 D661,293 S 6/2012 Kuroda  
 2011/0209212 A1 \* 8/2011 Newlin et al. .... 604/6.01  
 2013/0193282 A1 8/2013 Brehm  
 2014/0138294 A1 \* 5/2014 Fulkerson et al. .... 210/90

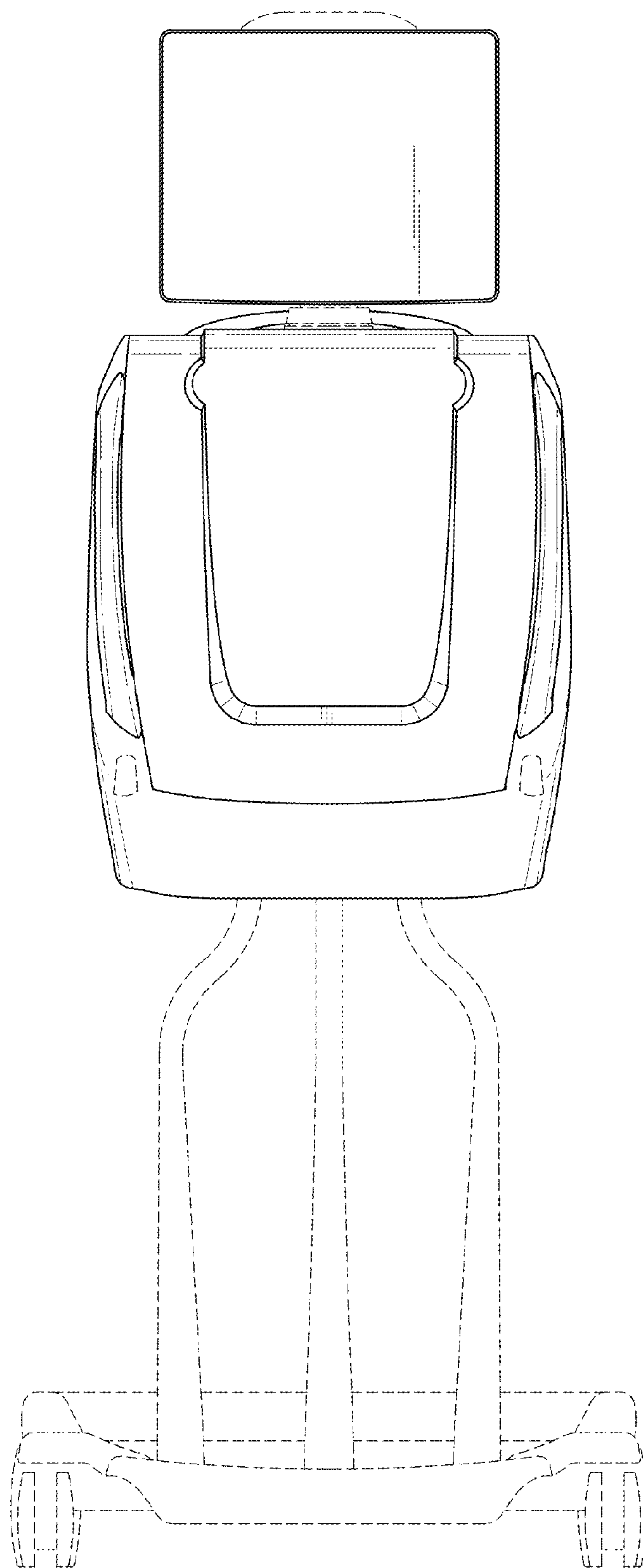
DM/030677-1 dated Sep. 13, 1994 (4 pages).  
 DM/070849-1 dated Dec. 13, 2007 (3 pages).  
 DM/070849-2 dated Dec. 13, 2007 (3 pages).  
 DM/070849-3 dated Dec. 13, 2007 (4 pages).  
 DM/070849-4 dated Dec. 13, 2007 (4 pages).  
 EC Registered Design 000015870-0001-00009 (27 pages).  
 EC Registered Design 000825658-0001-0002 (6 pages).  
 M9705004.0 dated May 27, 1997 (1 page).  
 M9602745.2 dated Mar. 27, 1996 (1 page).  
 M9705153-0001 dated Jun. 4, 1997 (3 pages).  
 M9701242-0001 dated Feb. 7, 1997 (2 pages).  
 M9410152-0001 dated Dec. 30, 1994 (3 pages).  
 EC Registered Design 000600853-0001 (2 pages).  
 EC Registered Design 000323522-0001 (2 pages).  
 EC Registered Design 000552724-0001(3 pages).  
 EC Registered Design 001121909-0001 (3 pages).  
 EC Registered Design 001715020-0001 (3 pages).  
 EC Registered Design 000842687-0001 (3 pages).  
 EC Registered Design 000747811-0001-0004 (11 pages).  
 EC Registered Design 000412630-0001-0004 (12 pages).

\* cited by examiner

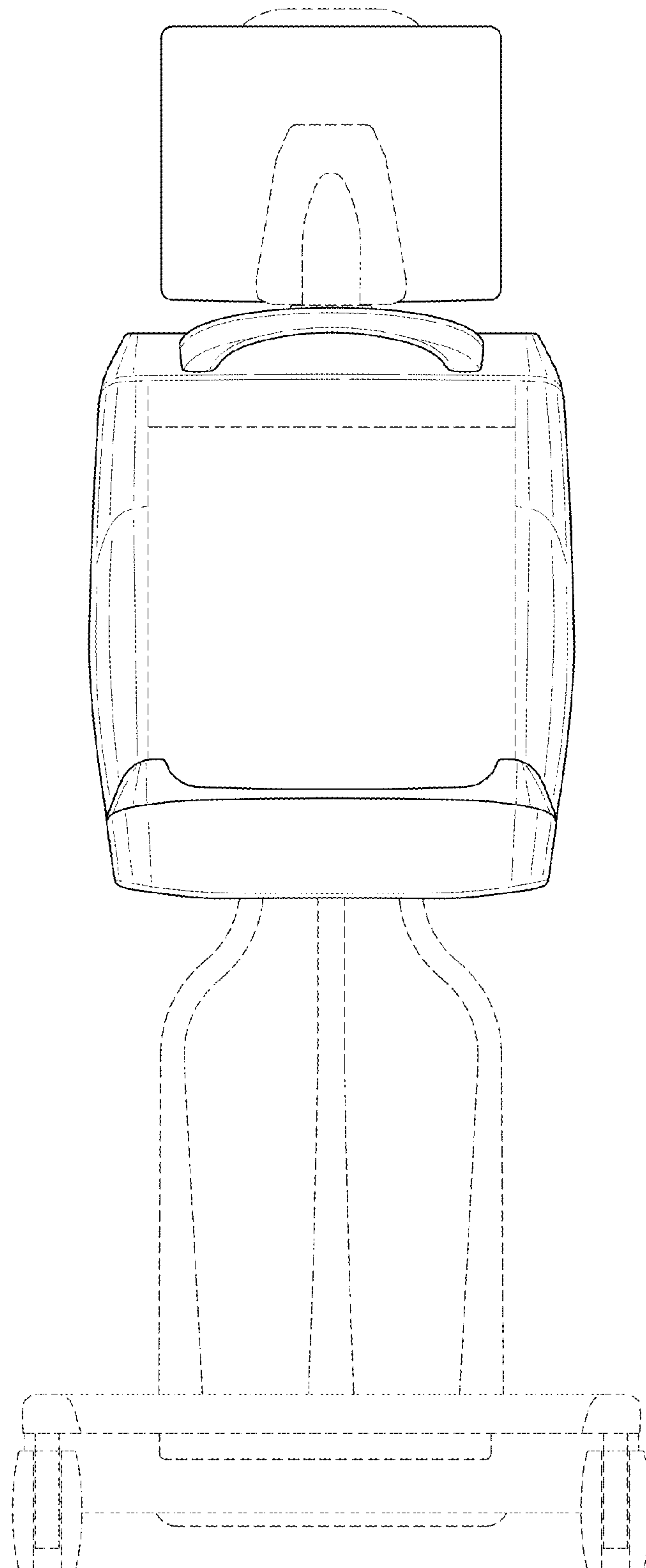
*Fig. 1*



*Fig. 2*

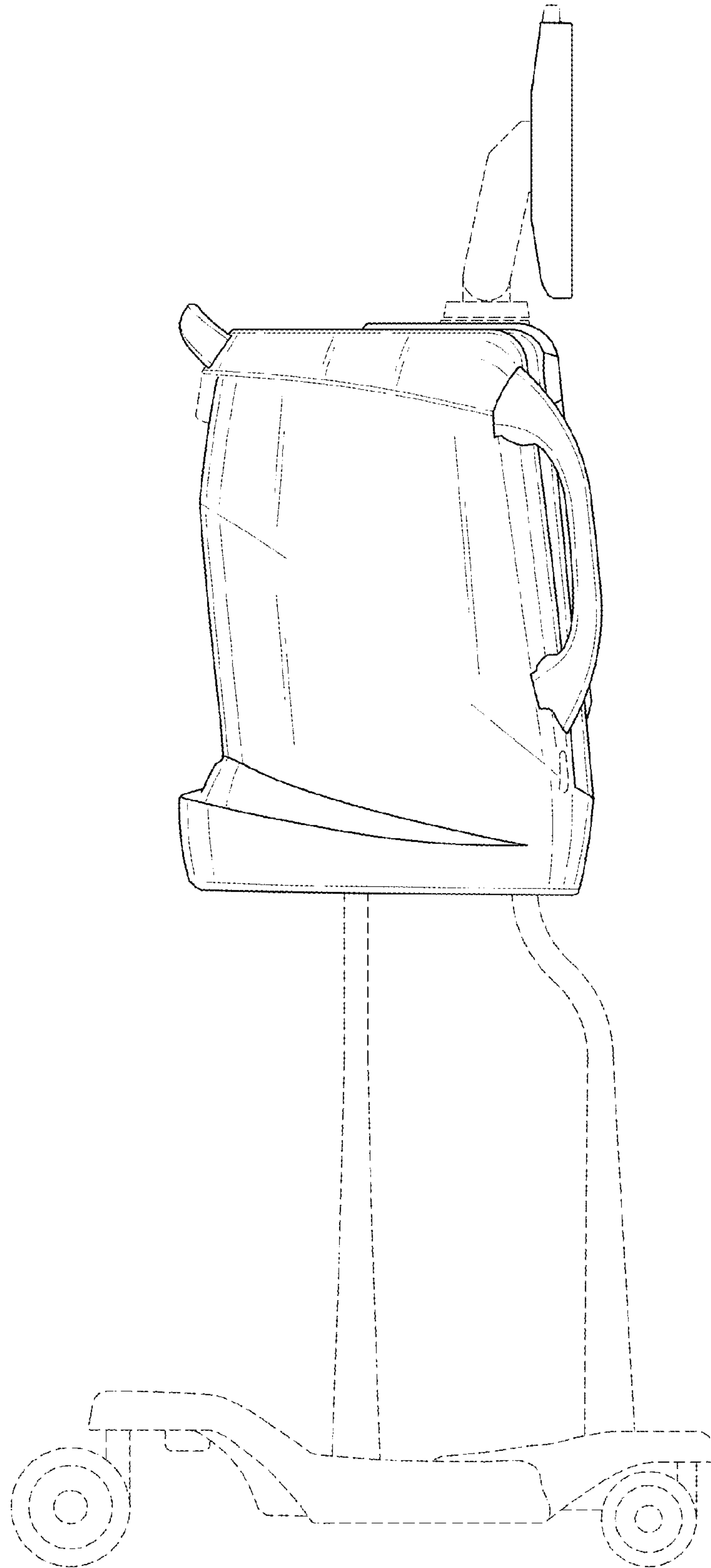


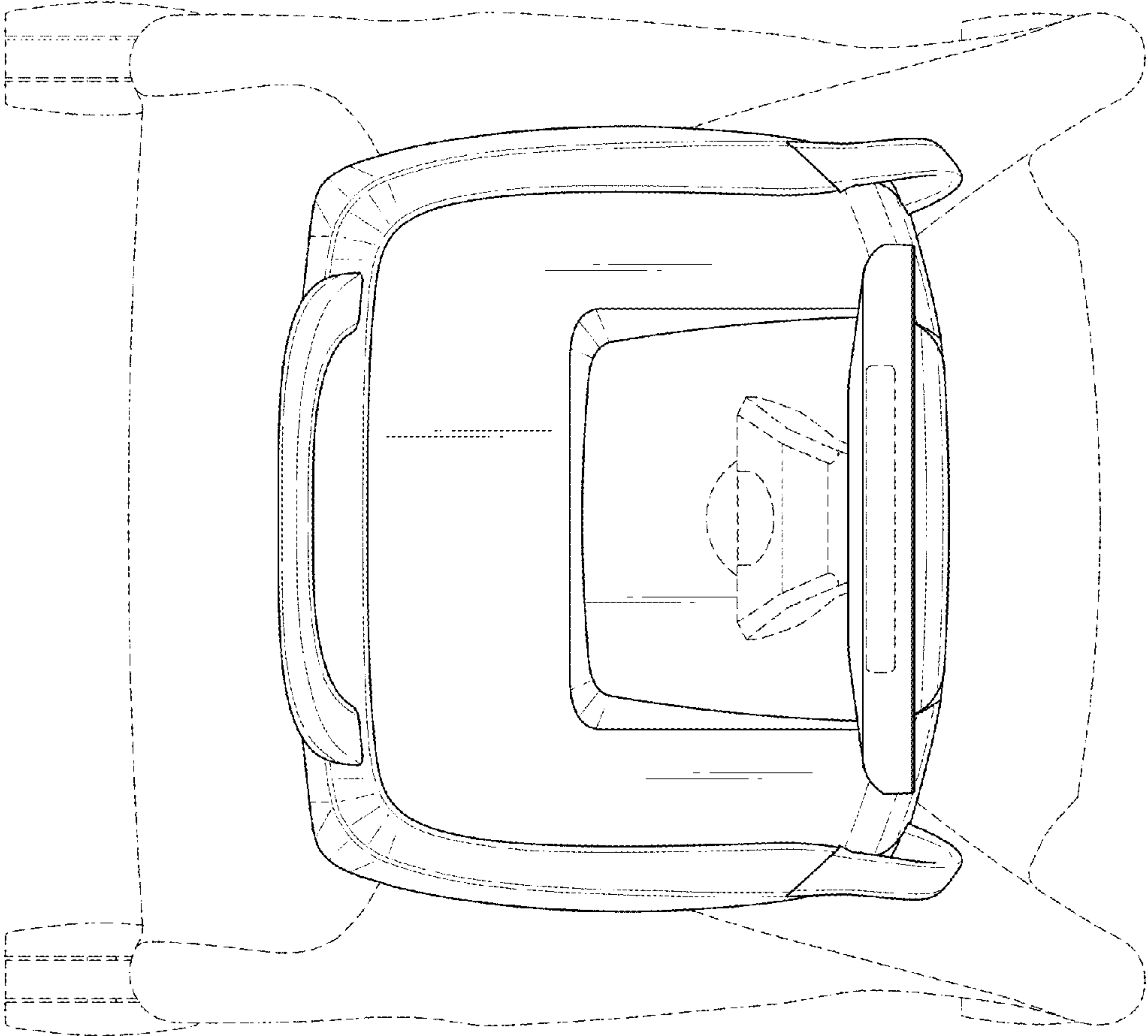
*Fig. 3*





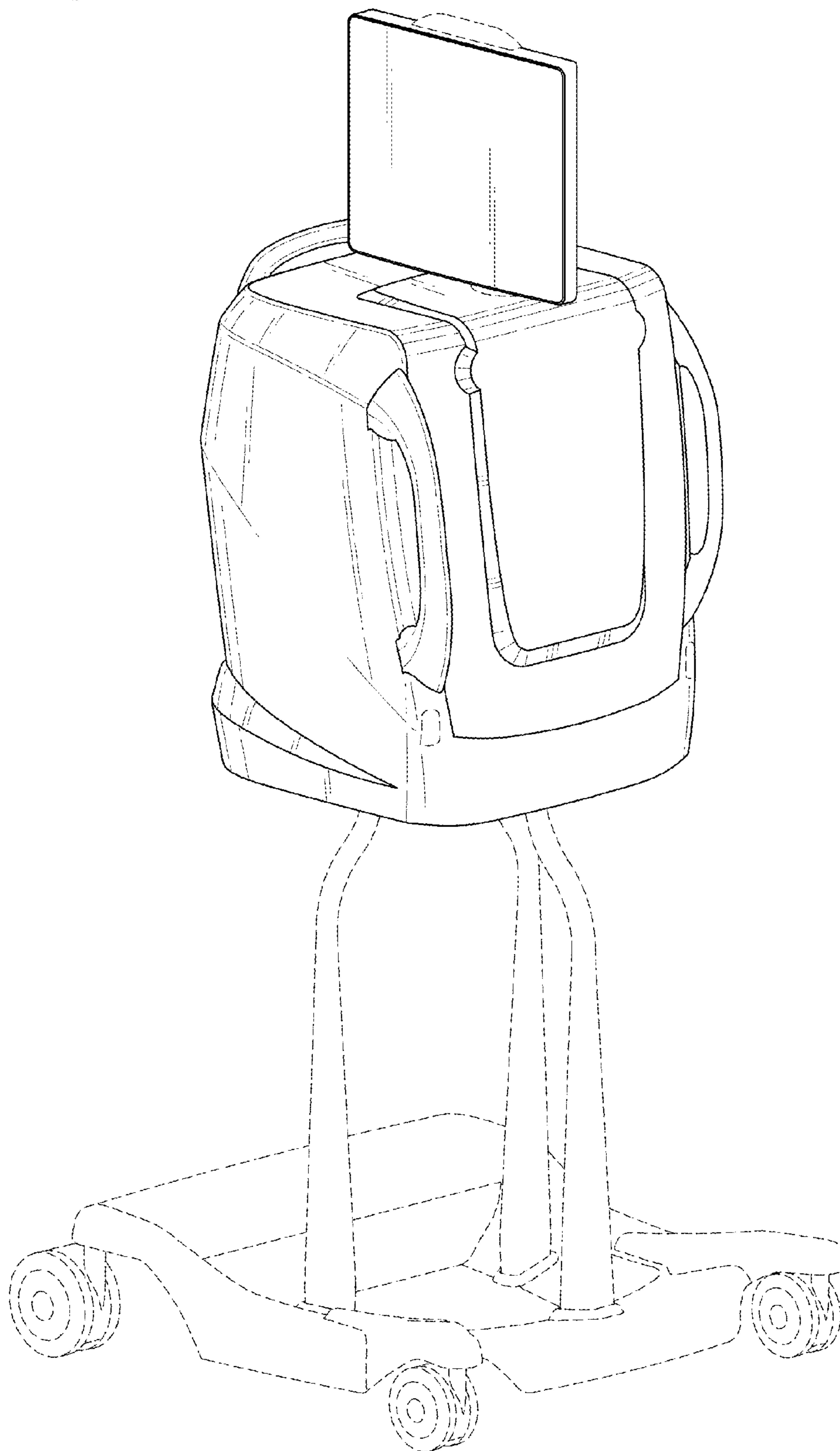
*Fig. 4*





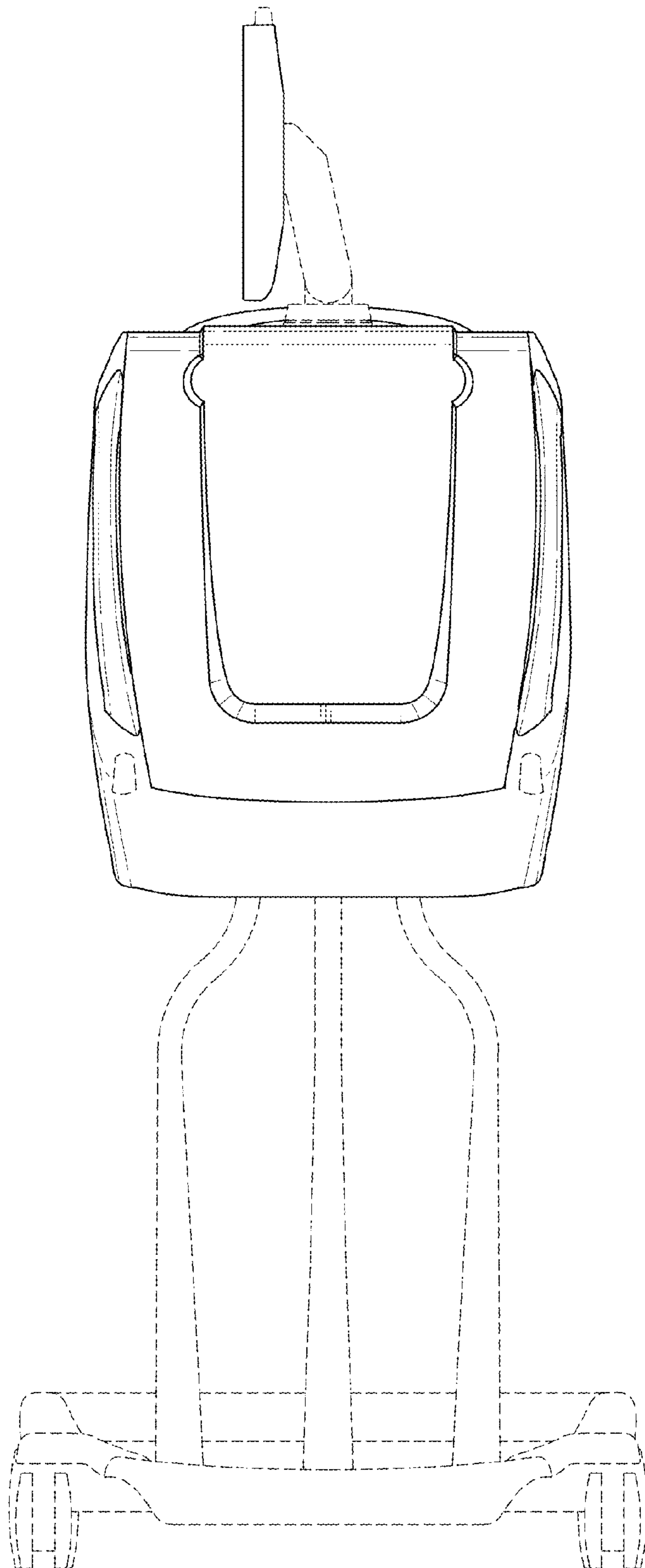
*Fig. 5*

*Fig. 6*

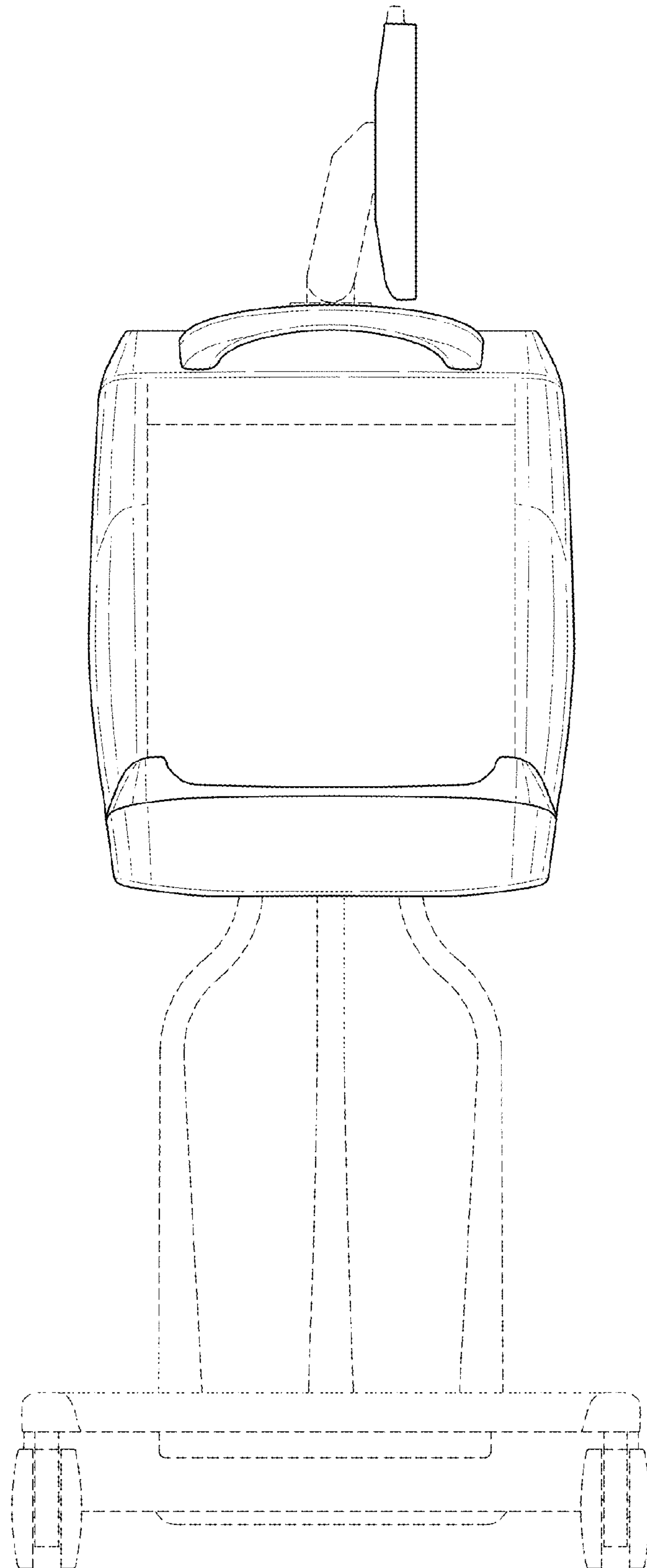




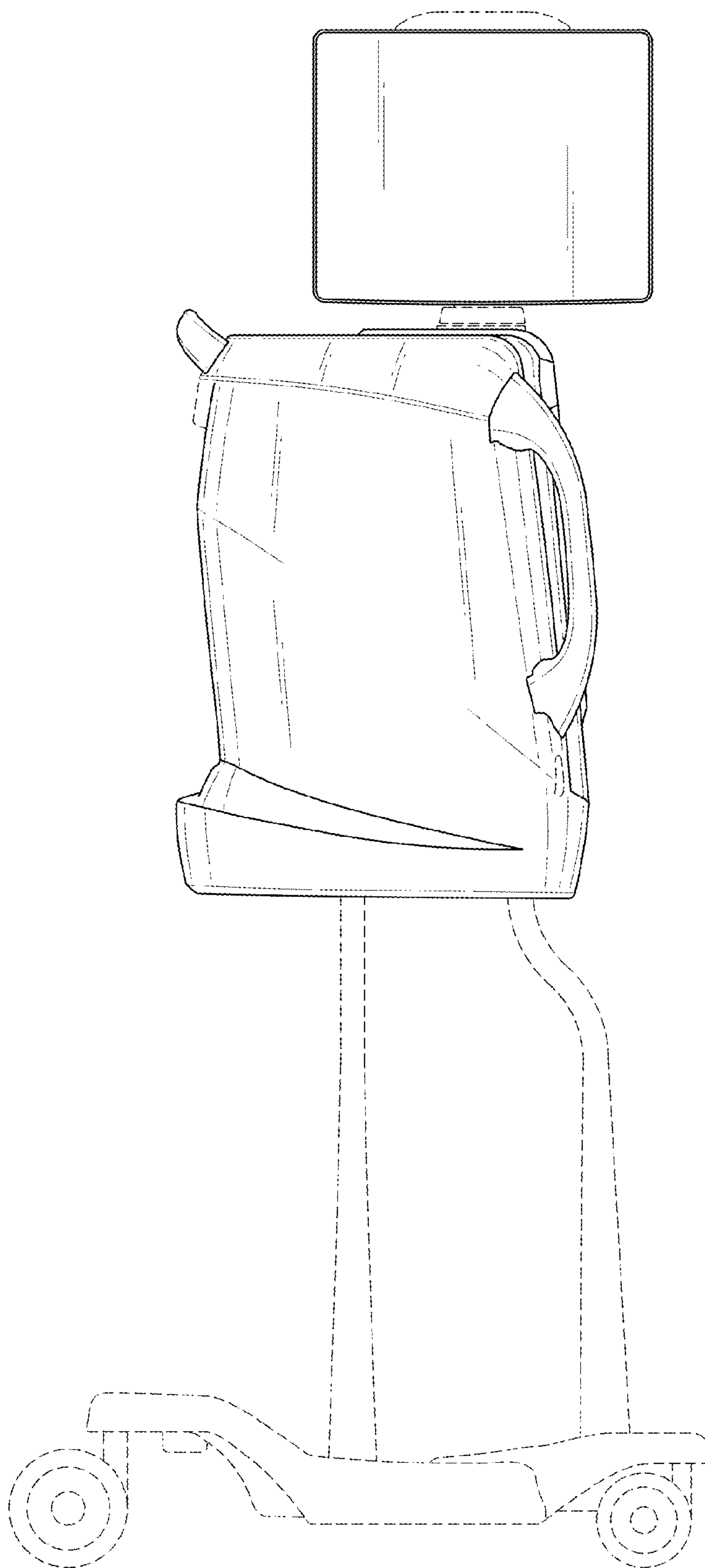
*Fig. 7*



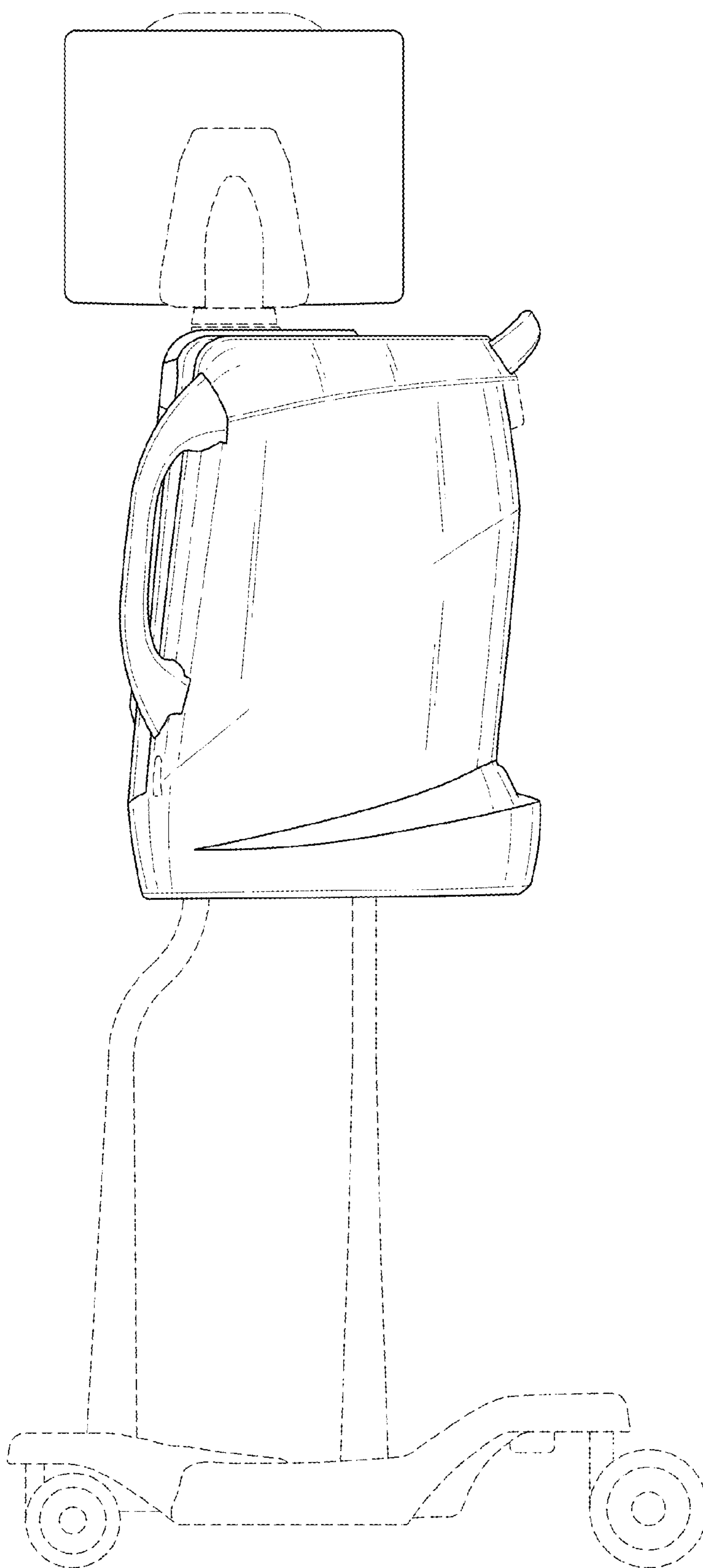
*Fig. 8*

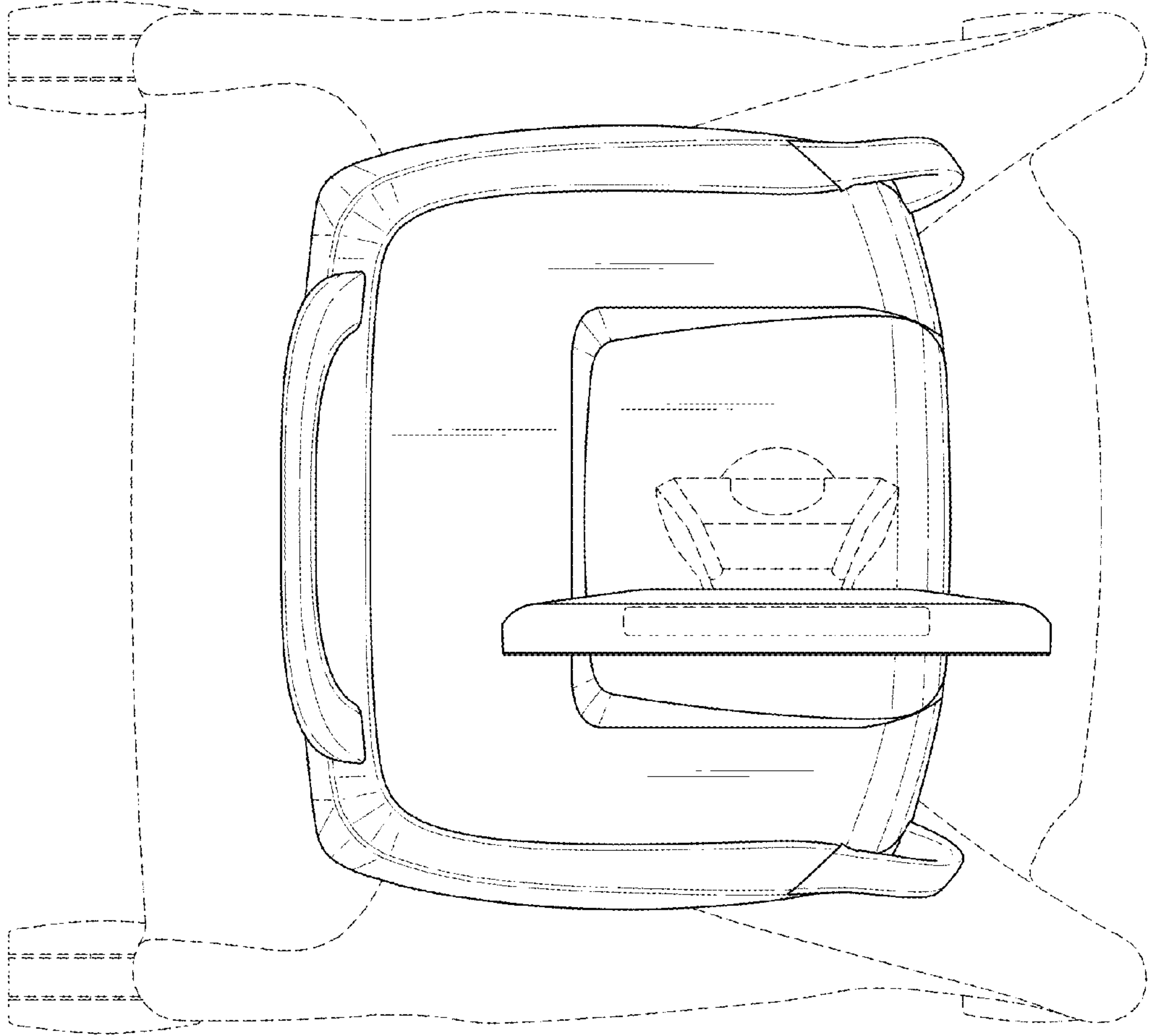


*Fig. 9*



*Fig. 10*





*Fig. 11*

UNITED STATES PATENT AND TRADEMARK OFFICE  
**CERTIFICATE OF CORRECTION**

PATENT NO. : D751,207 S  
APPLICATION NO. : 29/493345  
DATED : March 8, 2016  
INVENTOR(S) : John J. O'Mahony et al.

Page 1 of 1

It is certified that error appears in the above-identified patent and that said Letters Patent is hereby corrected as shown below:

On the Title Page, Item (72)

The inventor "Martin J. Behling, III" should be noted as --Martin J. Behling, II--

Signed and Sealed this  
Twenty-eighth Day of June, 2016



Michelle K. Lee  
*Director of the United States Patent and Trademark Office*