



US00D751206S

(12) **United States Design Patent**  
**Ratnow et al.**

(10) **Patent No.:** **US D751,206 S**  
(45) **Date of Patent:** **\*\* Mar. 8, 2016**

- (54) **BITEWING HOLDER**
- (71) Applicant: **Dental Imaging Technologies Corporation**, Hatfield, PA (US)
- (72) Inventors: **Lisa Ansoerge Ratnow**, Downingtown, PA (US); **Carl Anthony Yacono**, Sellersville, PA (US); **Christina Ann Adkins**, Doylestown, PA (US); **James Paul Frerichs**, Sellersville, PA (US); **Scott David Kravis**, West Caldwell, NJ (US); **Erin Norris**, Neptune Beach, FL (US)
- (73) Assignee: **DENTAL IMAGING TECHNOLOGIES CORPORATION**, Hatfield, PA (US)
- (\*\*) Term: **14 Years**
- (21) Appl. No.: **29/517,755**
- (22) Filed: **Feb. 16, 2015**
- (51) **LOC (10) Cl.** ..... **24-01**
- (52) **U.S. Cl.**  
USPC ..... **D24/161**
- (58) **Field of Classification Search**  
USPC ..... D24/158-161, 152, 176, 177, 186, 187, D24/128; 378/38, 39, 167, 168, 170, 177, 378/180, 191, 205, 208; 433/27, 29  
CPC .. G03B 42/025; G03B 42/042; A61B 6/4435; A61B 6/145  
See application file for complete search history.

(56) **References Cited**

**U.S. PATENT DOCUMENTS**

- 5,625,666 A 4/1997 Willis
- D406,892 S \* 3/1999 Warren ..... D24/161
- 6,343,875 B1 \* 2/2002 Eppinger ..... G03B 42/042  
378/168
- 7,033,075 B2 4/2006 Landis et al.

- 8,333,507 B2 12/2012 Schmulenson et al.
- D710,501 S \* 8/2014 Hayman ..... D24/161
- 8,876,375 B2 \* 11/2014 Laude ..... G03B 42/042  
378/170
- D723,169 S \* 2/2015 Ciesielka ..... D24/161
- 2002/0176539 A1 \* 11/2002 Da Rold ..... G03B 42/042  
378/168
- 2005/0226390 A1 10/2005 Ihalainen
- 2007/0041506 A1 2/2007 Bottino
- 2009/0220053 A1 9/2009 Tresso et al.
- 2012/0076268 A1 3/2012 Archibald

**FOREIGN PATENT DOCUMENTS**

WO 0250611 A2 6/2002

\* cited by examiner

*Primary Examiner* — Anhdao Doan

(74) *Attorney, Agent, or Firm* — Michael Best & Friedrich LLP

(57) **CLAIM**

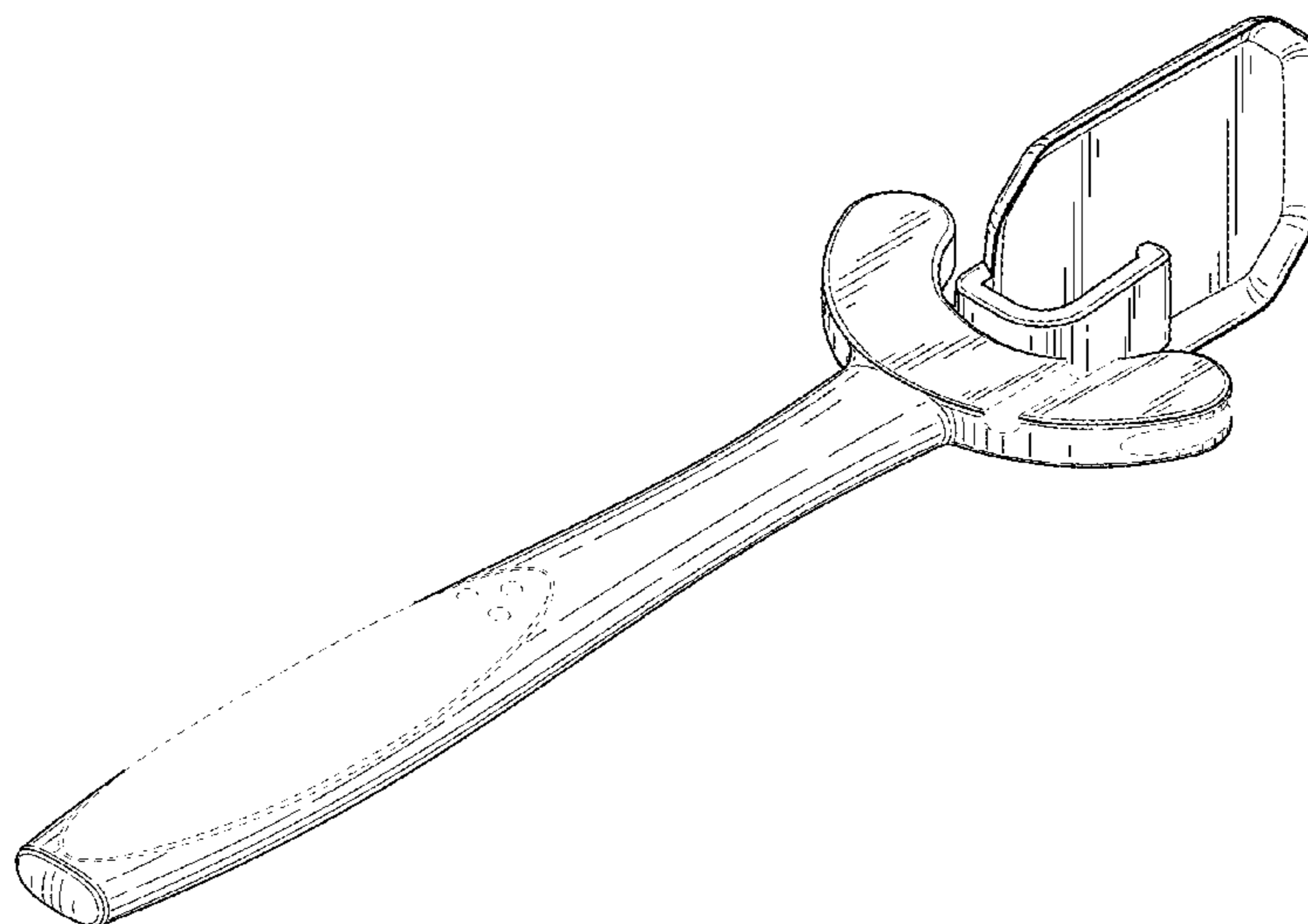
We claim the ornamental design for a bitewing holder, as shown and described.

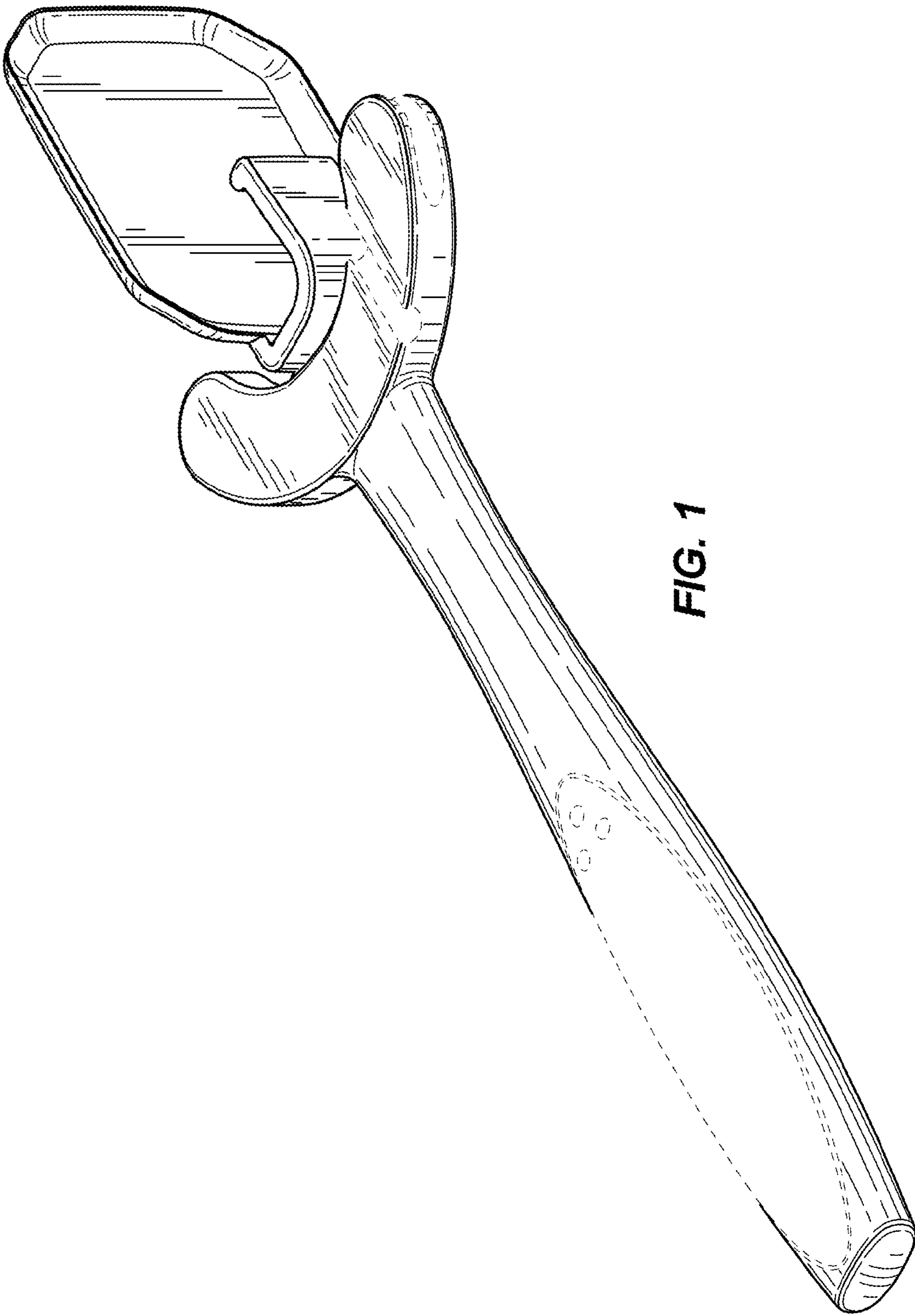
**DESCRIPTION**

FIG. 1 is a front perspective view of a bitewing holder.  
 FIG. 2 is a first side view of the bitewing holder shown in FIG. 1.  
 FIG. 3 is a second side view of the bitewing holder shown in FIG. 1.  
 FIG. 4 is a rear view of the bitewing holder shown in FIG. 1.  
 FIG. 5 is a front view of the bitewing holder shown in FIG. 1.  
 FIG. 6 is a third side view of the bitewing holder shown in FIG. 1; and,  
 FIG. 7 is a fourth side view of the bitewing holder shown in FIG. 1.

The broken lines in the drawings are included for the purpose of illustrating portions of the bitewing holder that form no part of the claimed design.

**1 Claim, 4 Drawing Sheets**





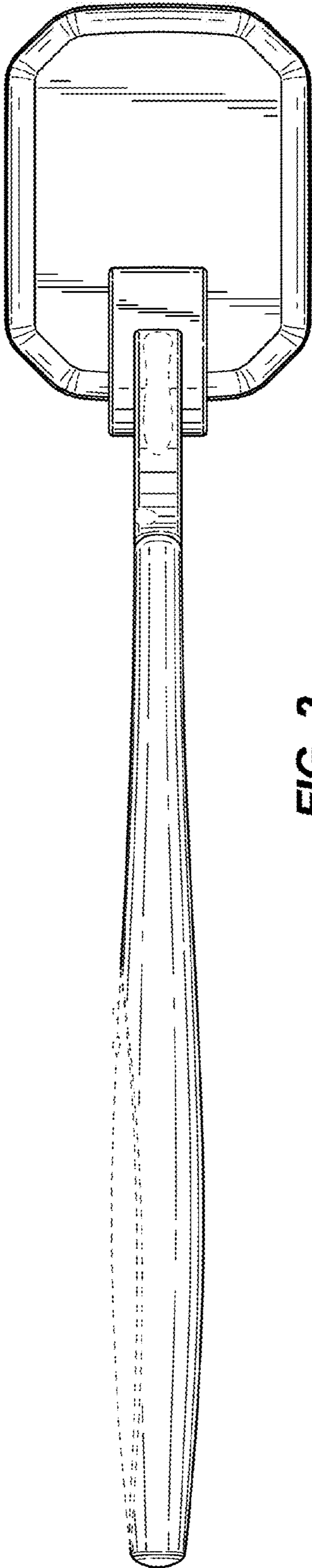


FIG. 2

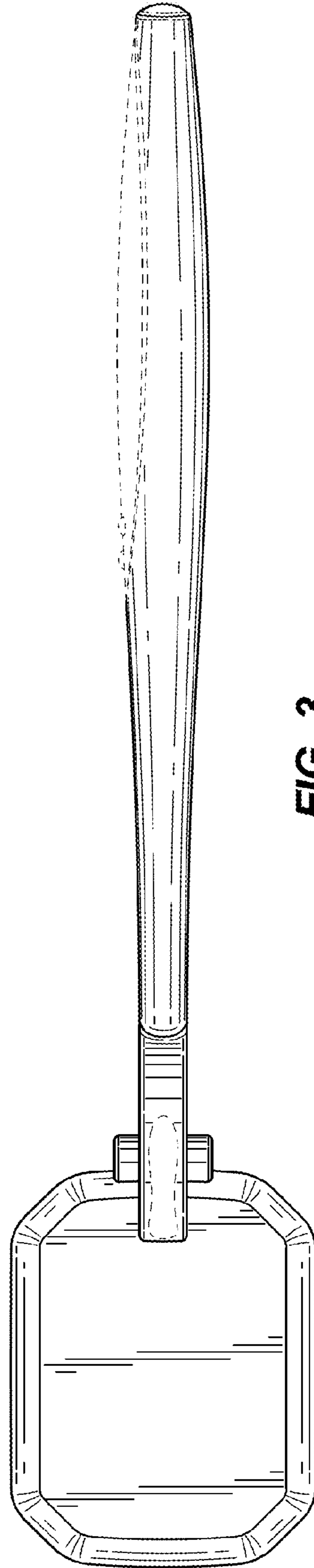
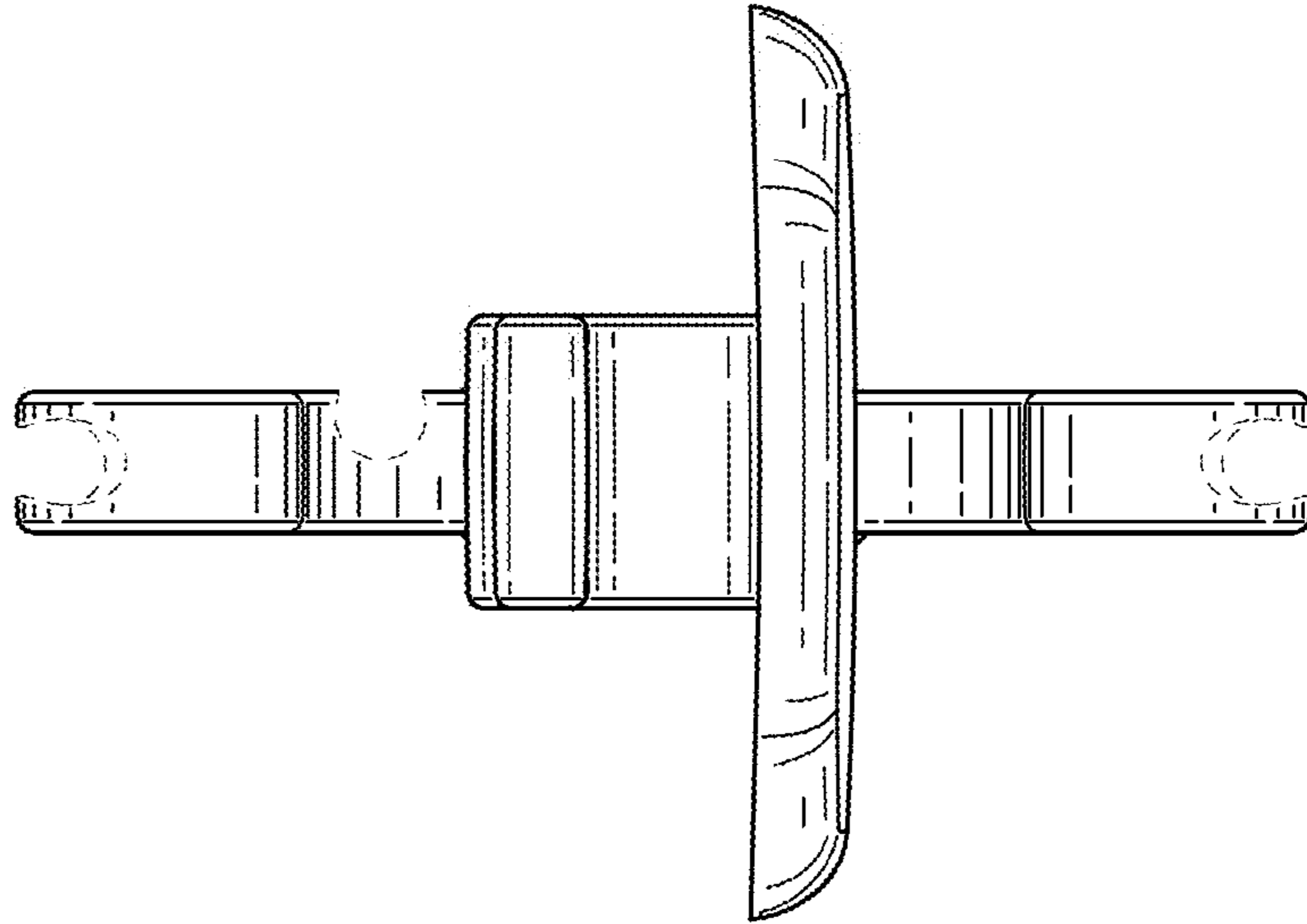
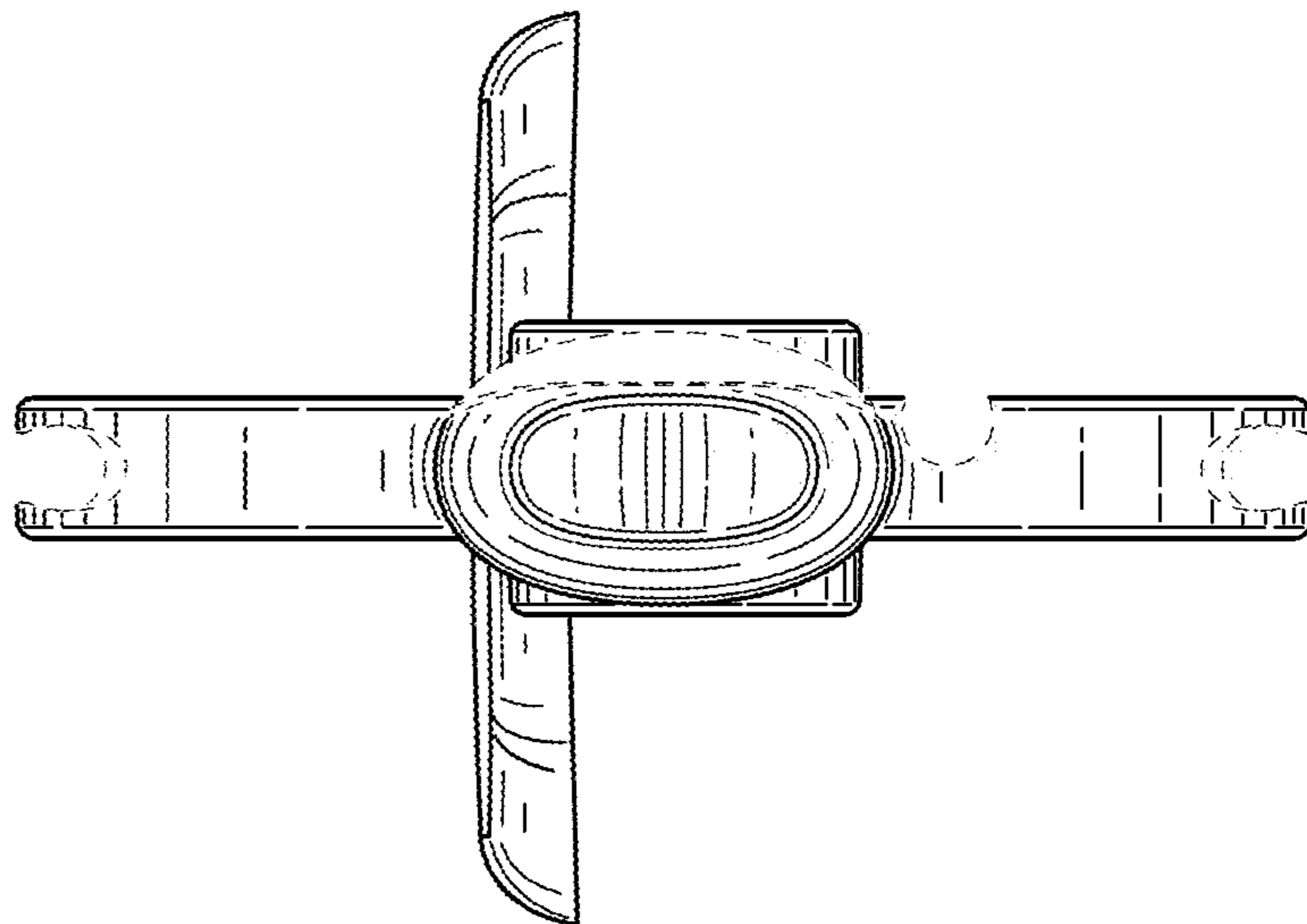


FIG. 3



**FIG. 4**



**FIG. 5**

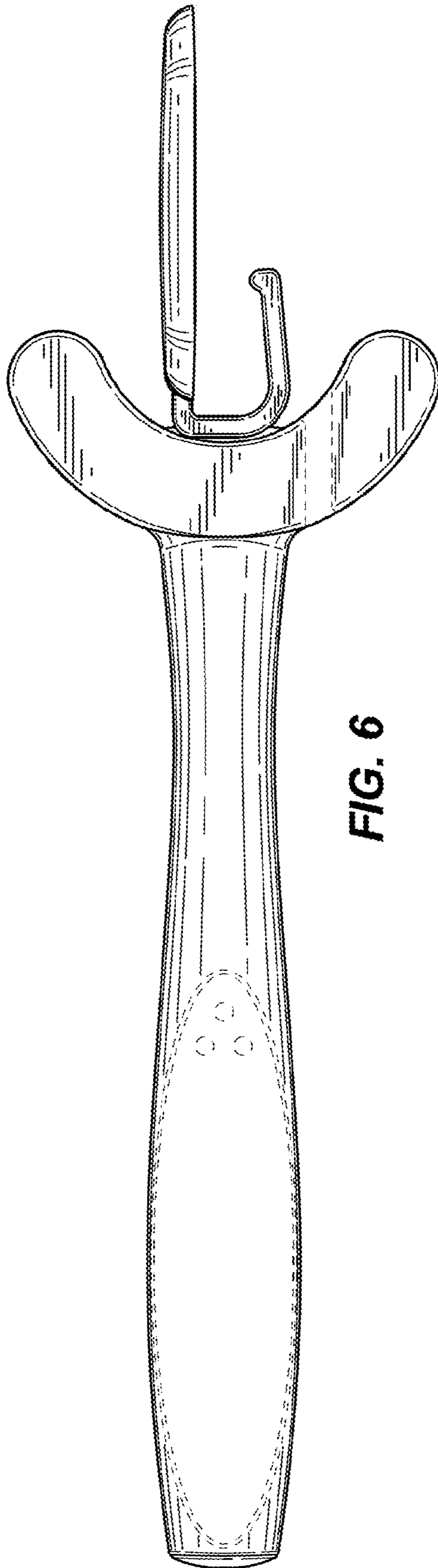


FIG. 6

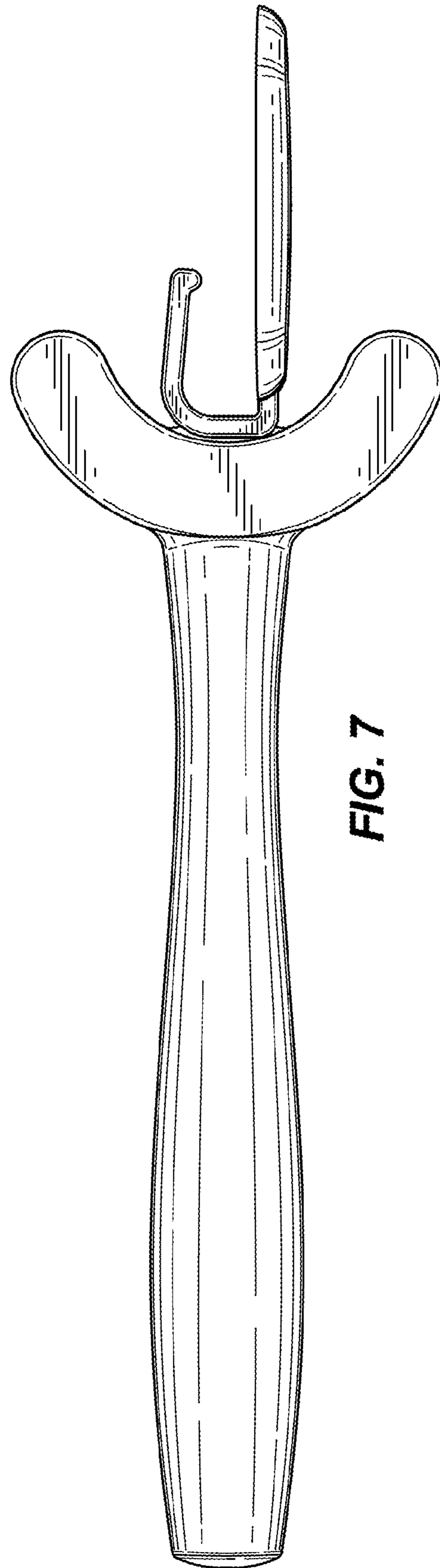


FIG. 7