



US00D751203S

(12) **United States Design Patent**  
**Casement et al.**

(10) **Patent No.:** **US D751,203 S**

(45) **Date of Patent:** **\*\* Mar. 8, 2016**

(54) **PROVISIONAL DENTAL IMPLANT**

(56) **References Cited**

(71) Applicant: **Provisional Implant Technology LLC,**  
Denver, CO (US)

U.S. PATENT DOCUMENTS

(72) Inventors: **Russell Casement,** Parker, CO (US);  
**Kelley Casement,** Denver, CO (US);  
**Ricardo Gapski,** Parana (BR)

D362,720 S *	9/1995	Holmen .....	D24/155
5,779,480 A *	7/1998	Groll .....	A61C 8/005 433/172
6,024,567 A *	2/2000	Callan .....	A61C 8/0048 433/173
D486,914 S *	2/2004	Schulter .....	D24/156
D567,947 S *	4/2008	Lerner .....	D24/156
D580,059 S *	11/2008	Boettcher .....	D24/156
D587,371 S *	2/2009	Purga .....	D24/156
D587,373 S *	2/2009	Purga .....	D24/156
D659,829 S *	5/2012	Nihei .....	D24/156
D663,032 S *	7/2012	Mashio .....	D24/156
D663,419 S *	7/2012	Mashio .....	D24/156

(73) Assignee: **Provisional Implant Technology, LLC,**  
Denver, CO (US)

(\*\*) Term: **15 Years**

\* cited by examiner

(21) Appl. No.: **29/529,316**

*Primary Examiner* — Susan Bennett Hattan

(22) Filed: **Jun. 5, 2015**

*Assistant Examiner* — Charles Hanson

(74) *Attorney, Agent, or Firm* — Sheridan Ross P.C.

**Related U.S. Application Data**

(62) Division of application No. 29/471,531, filed on Nov. 1, 2013, now Pat. No. Des. 733,886.

(57) **CLAIM**

The ornamental design for a provisional dental implant, as shown and described.

(51) **LOC (10) Cl.** ..... **24-02**

**DESCRIPTION**

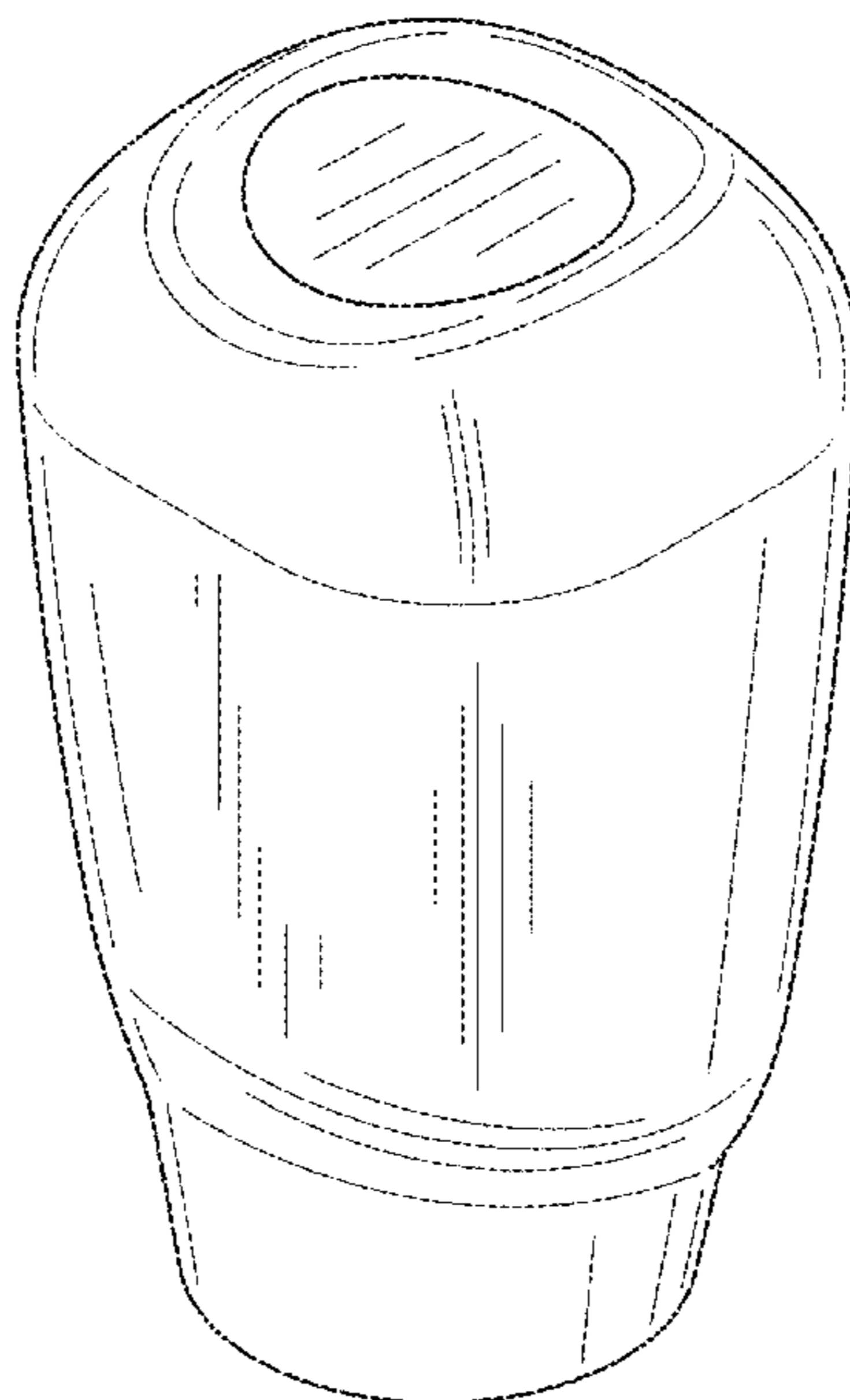
(52) **U.S. Cl.**  
USPC ..... **D24/155**

(58) **Field of Classification Search**  
USPC ..... D24/155-157  
CPC .. A61C 8/0089; A61C 8/0069; A61C 8/0054;  
A61C 8/00; A61C 8/0096; A61C 8/0039;  
A61C 8/0063; A61C 8/006; A61C 8/0001;  
A61C 8/0012; A61C 8/0075; A61C 13/225

FIG. 1 is a perspective view of the provisional dental implant showing the new design;  
FIG. 2 is a front elevation view thereof;  
FIG. 3 is a rear elevation view thereof;  
FIG. 4 is a left elevation view thereof;  
FIG. 5 is a right elevation view thereof;  
FIG. 6 is a top plan view thereof; and,  
FIG. 7 is a bottom plan view thereof.  
The broken line showing is included for the purpose of illustrating environment and forms no part of the claimed design.

See application file for complete search history.

**1 Claim, 4 Drawing Sheets**



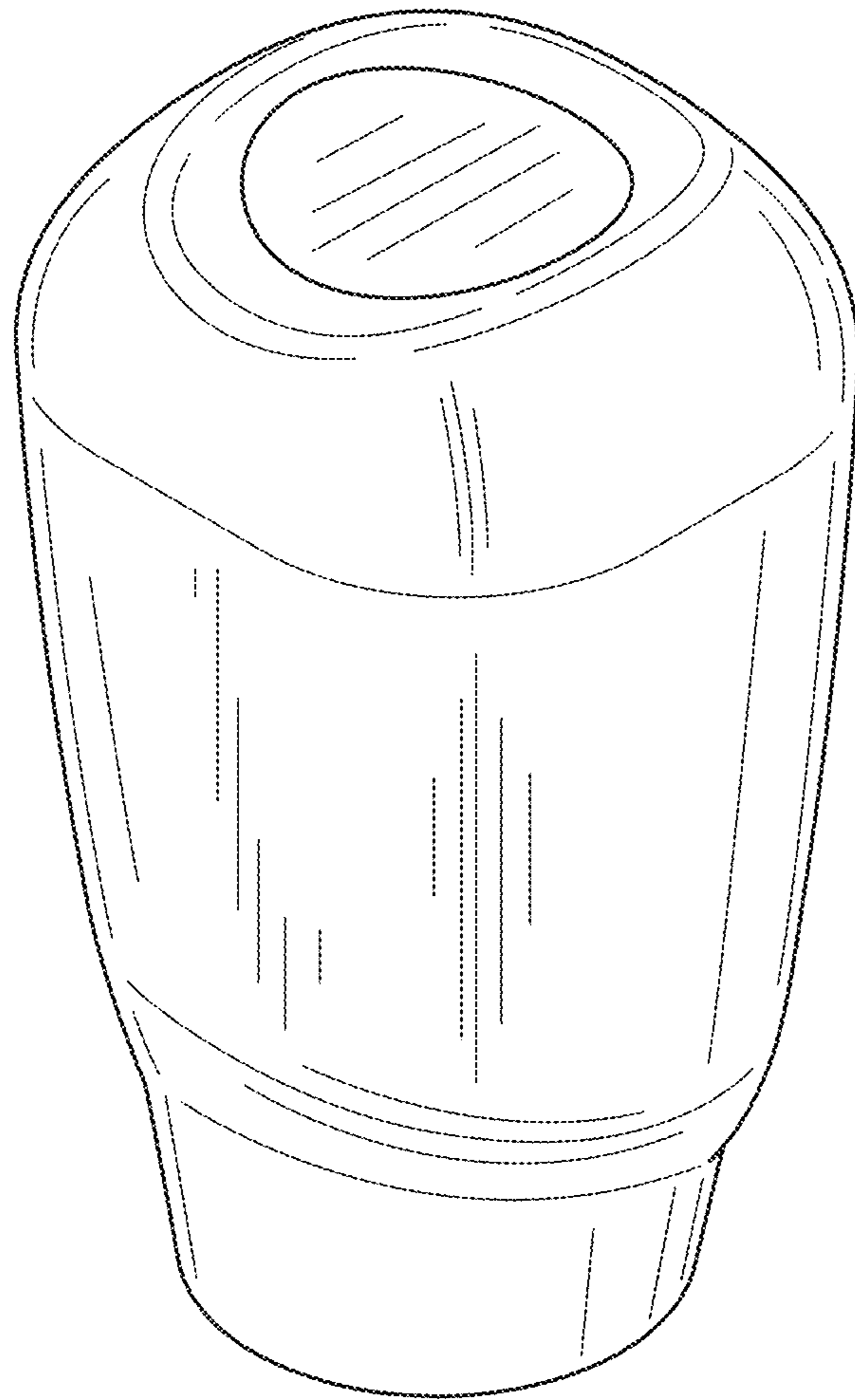


FIG. 1

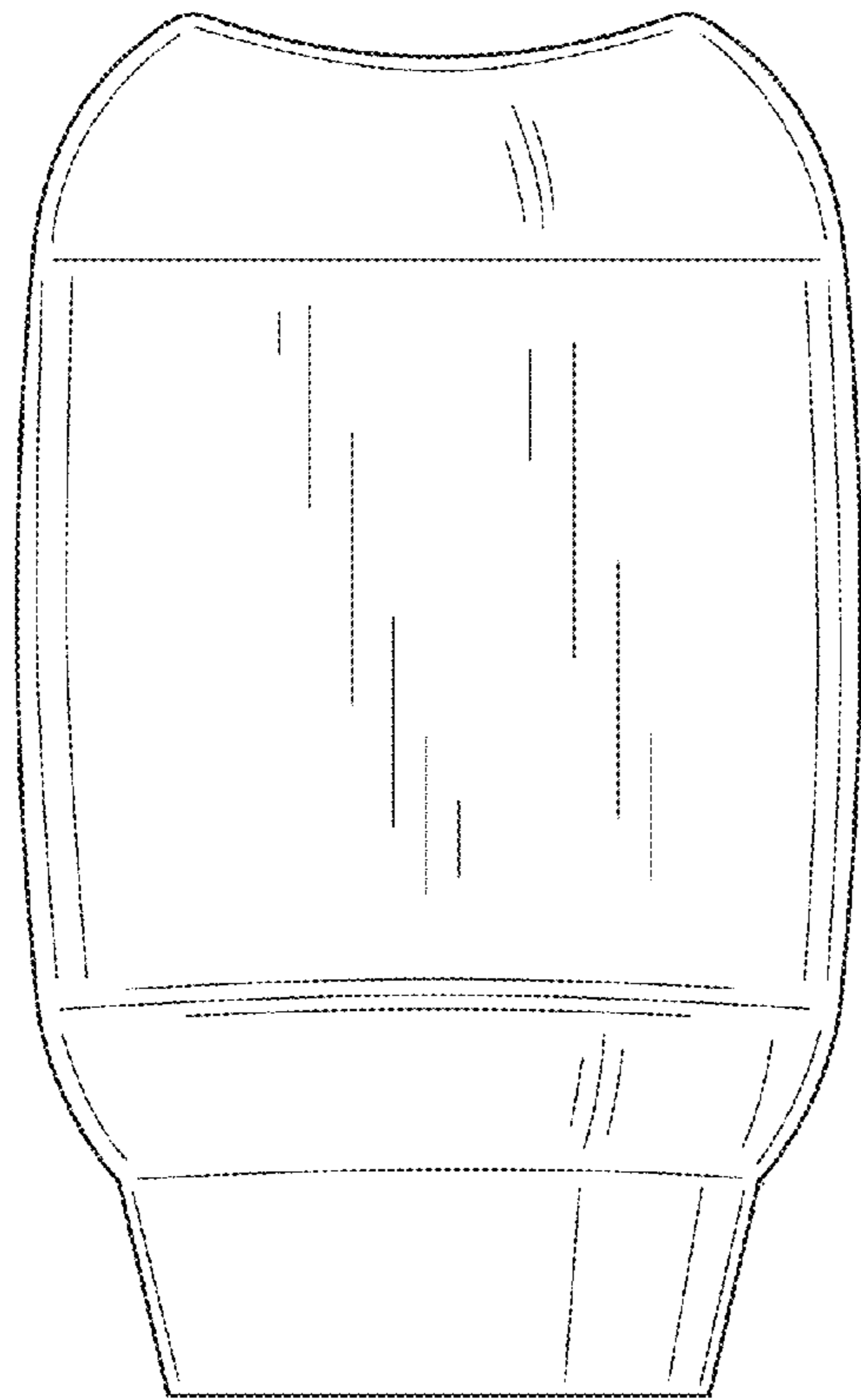


FIG. 2

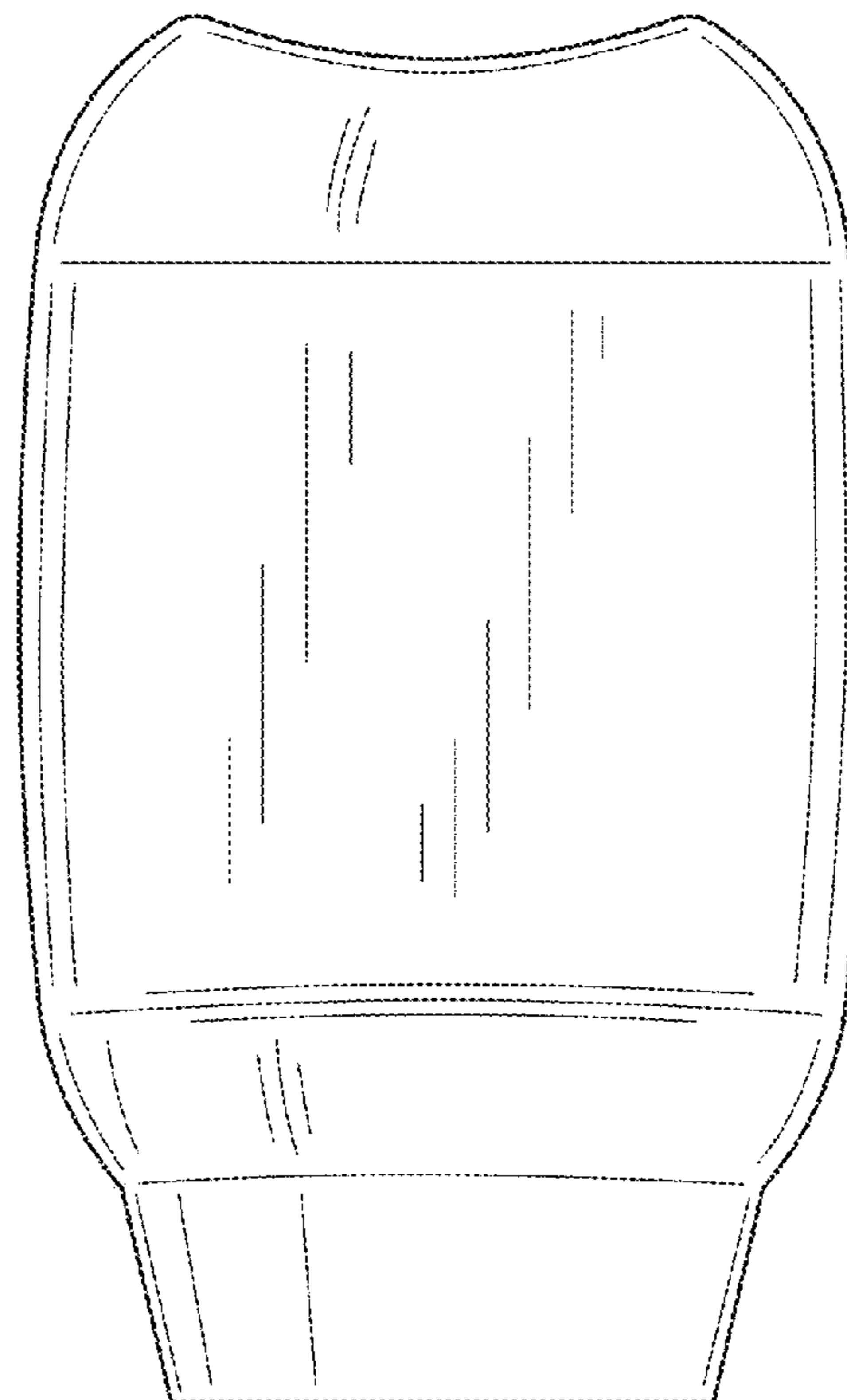


FIG. 3

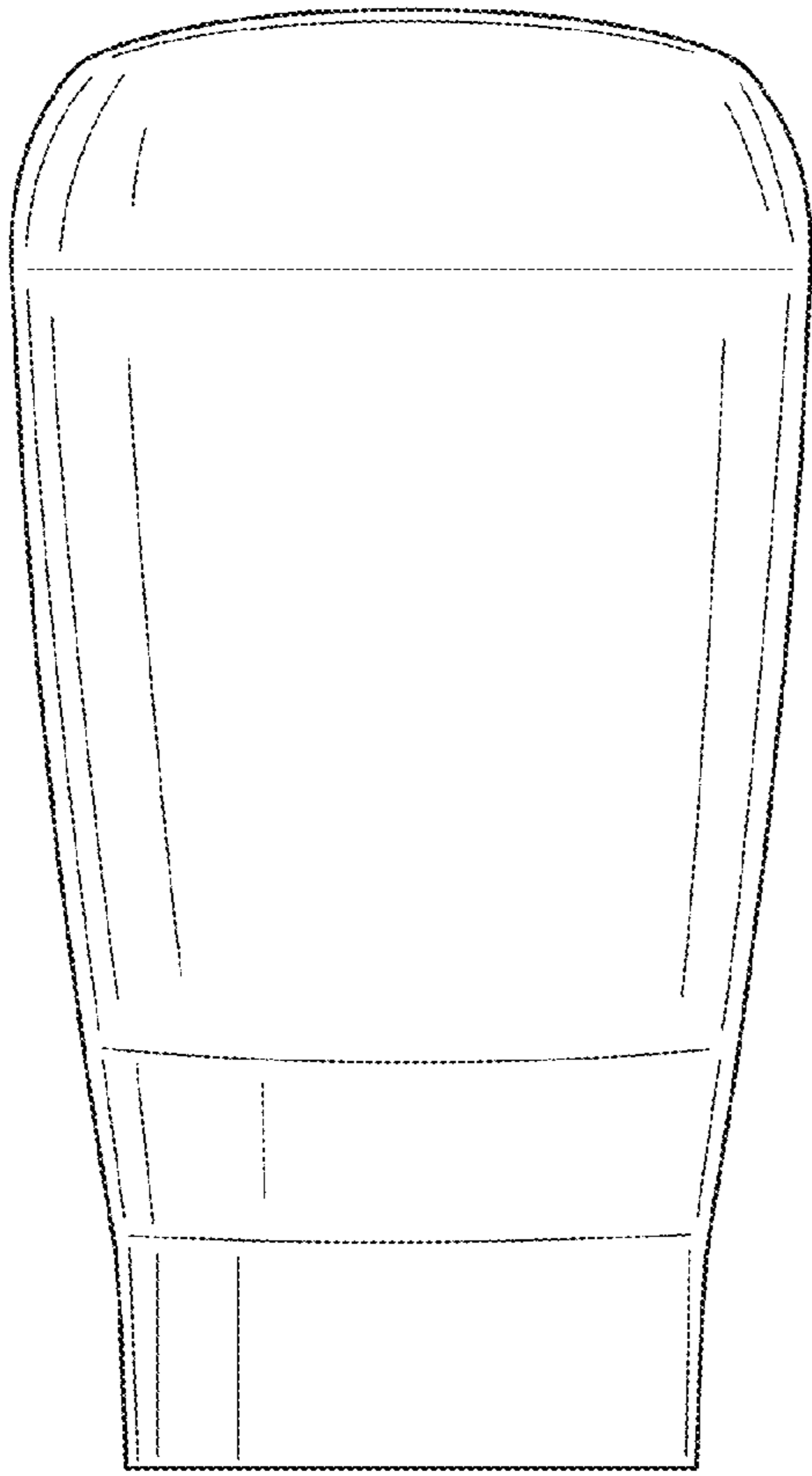


FIG.4

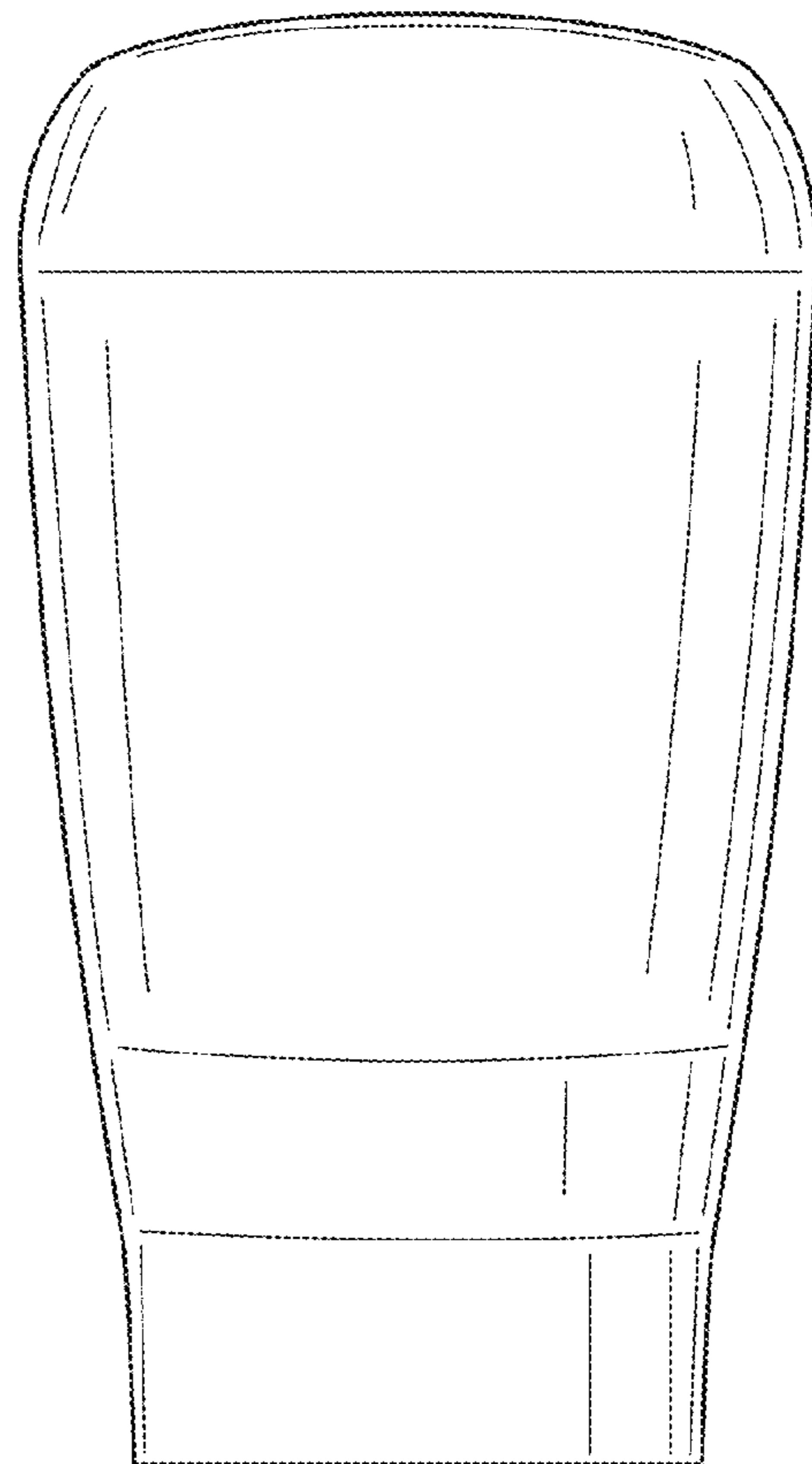


FIG.5

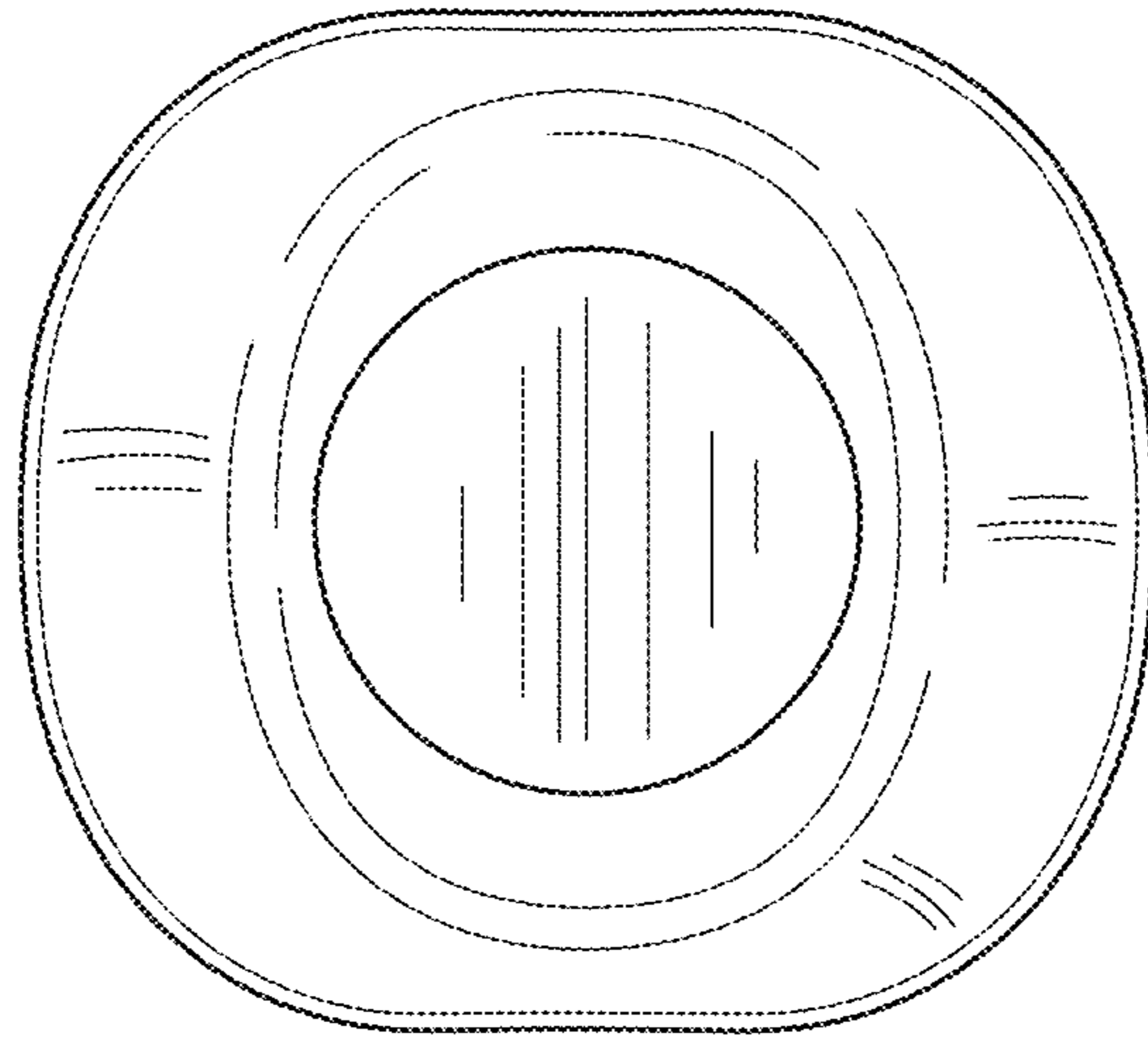


FIG. 6

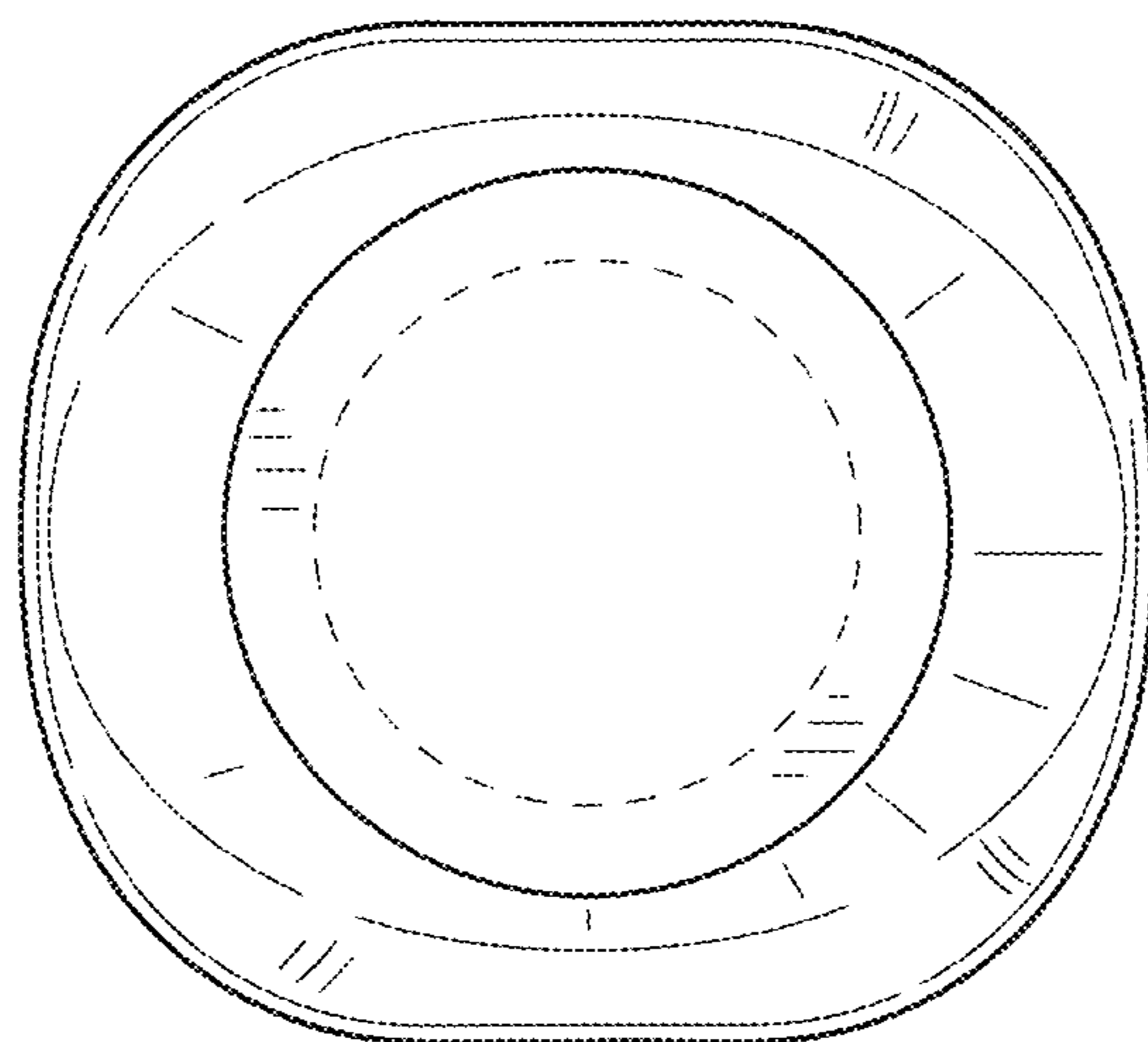


FIG. 7