



US00D751200S

(12) **United States Design Patent**
LaRose et al.

(10) **Patent No.:** **US D751,200 S**
(45) **Date of Patent:** **** Mar. 8, 2016**

(54) **CONTROLLER FOR IMPLANTABLE BLOOD PUMP**

(71) Applicant: **HeartWare, Inc.**, Miami Lakes, FL (US)

(72) Inventors: **Jeffrey A. LaRose**, Parkland, FL (US);
John Rudser, Westwood, MA (US)

(73) Assignee: **HeartWare, Inc.**, Miami Lakes, FL (US)

(**) Term: **14 Years**

(21) Appl. No.: **29/465,199**

(22) Filed: **Aug. 26, 2013**

Related U.S. Application Data

(63) Continuation-in-part of application No. 13/314,875,
filed on Dec. 8, 2011, now Pat. No. 8,597,350.

(51) **LOC (10) Cl.** **24-02**

(52) **U.S. Cl.**
USPC **D24/155**

(58) **Field of Classification Search**
USPC D24/155, 162, 167, 186
CPC ... A61M 1/122; A61M 1/101; A61M 1/1086;
A61M 1/1001; A61M 2205/3507; A61M
2205/502; A61M 5/16831; B01D 61/22
See application file for complete search history.

(56) **References Cited**

U.S. PATENT DOCUMENTS

6,183,412	B1 *	2/2001	Benkowski et al.	600/16
7,819,916	B2 *	10/2010	Yaegashi	623/3.28
8,495,918	B2 *	7/2013	Bazargan et al.	73/818
8,597,350	B2 *	12/2013	Rudser et al.	623/3.27
8,690,855	B2 *	4/2014	Alderete et al.	604/503
8,702,638	B2 *	4/2014	O'Mahony et al.	604/6.1

8,920,381	B2 *	12/2014	Ejlersen	604/180
2001/0037093	A1	11/2001	Benkowski et al.	
2003/0088203	A1 *	5/2003	Gelfand et al.	604/6.09
2004/0172090	A1	9/2004	Janzig et al.	
2005/0014991	A1 *	1/2005	Sugiura	600/17
2008/0033500	A1	2/2008	Strother et al.	
2008/0249591	A1	10/2008	Gaw et al.	
2010/0063347	A1	3/2010	Yomtov et al.	
2010/0130809	A1	5/2010	Morello	
2010/0305692	A1	12/2010	Thomas et al.	
2012/0022645	A1 *	1/2012	Burke	623/3.13
2012/0226350	A1 *	9/2012	Rudser et al.	623/3.27

OTHER PUBLICATIONS

Extended European Search Report for Application No. 11847061.6
dated Aug. 25, 2014.

(Continued)

Primary Examiner — Susan Bennett Hattan

Assistant Examiner — Charles Hanson

(74) *Attorney, Agent, or Firm* — Lerner, David, Littenberg,
Krumholz & Mentlik, LLP

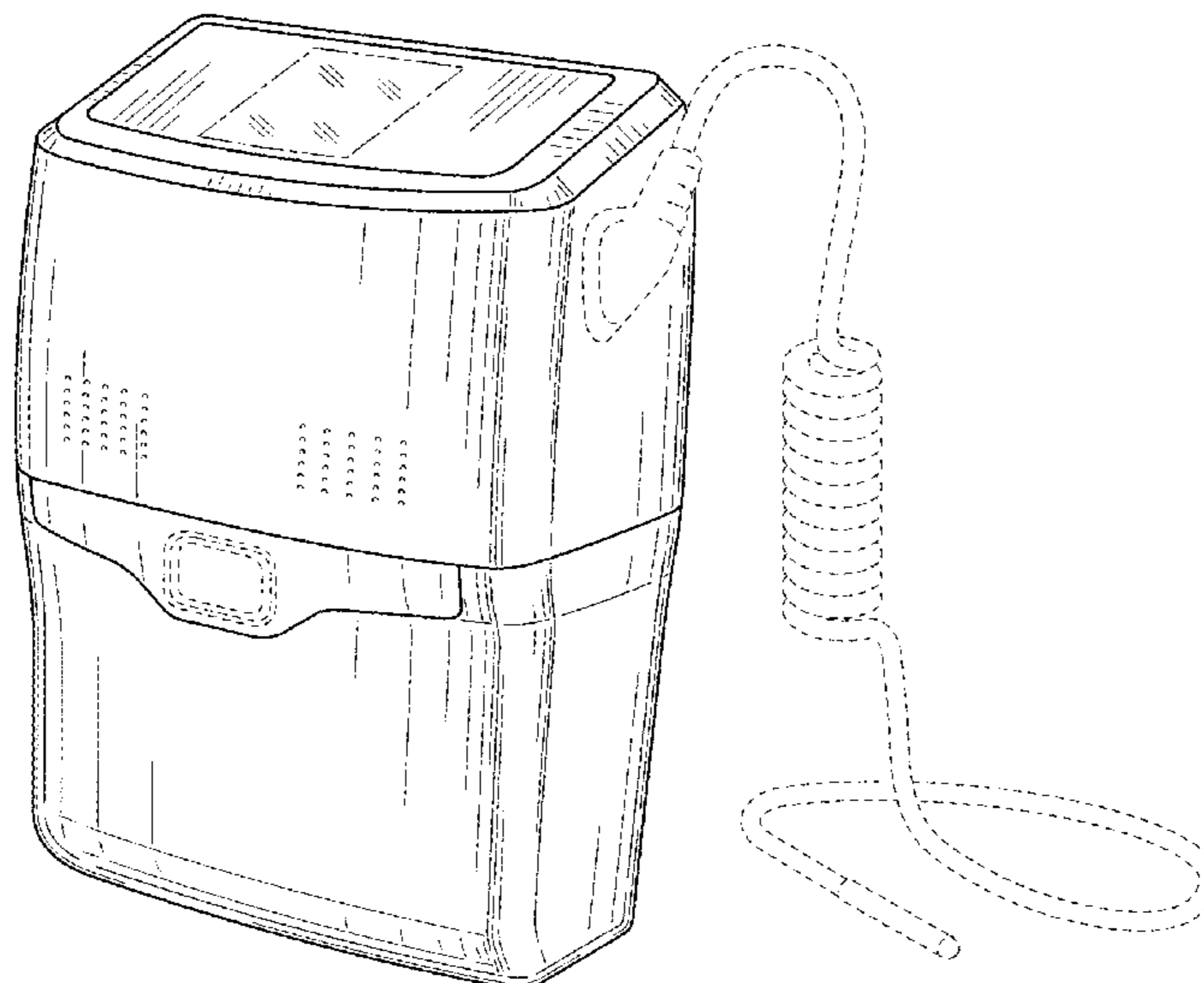
(57) **CLAIM**

We claim the ornamental design for controller for implantable
blood pump, as shown and described.

DESCRIPTION

FIG. 1 is a front perspective view of the controller for implant-
able blood pump of the claimed design;
FIG. 2 is a back perspective view thereof;
FIG. 3 is a left side view thereof; and,
FIG. 4 is top view thereof.
The dot-dash lines in FIGS. 1 and 4 represent lines that form
no part of the claimed design, and the dashed lines in FIGS.
1-4 are included for the purpose of illustrating structural
features that form no part of the claimed design.

1 Claim, 4 Drawing Sheets



(56)

References Cited

OTHER PUBLICATIONS

International Search Report issued by the International Searching Authority (ISA/US) on Apr. 17, 2012 in connection with International Application No. PCT/US2011/63949.

Written Opinion of the International Search Authority issued by the International Searching Authority (ISA/US) on Apr. 17, 2012 in connection with International Application No. PCT/US2011/63949.

Notification Concerning Transmittal of International Preliminary Report on Patentability (Chapter I of the Patent Cooperation Treaty),

including an International Preliminary Report on Patentability and Written Opinion of the International Searching Authority, mailed Jun. 20, 2013 by the International Bureau of WIPO in connection with PCT International Application No. PCT/US2011/063949, filed Dec. 8, 2011.

Office Action Issued Oct. 4, 2012 in connection with U.S. Appl. No. 13/314,875, filed Dec. 8, 2011.

Notice of Allowance issued Aug. 7, 2013 in connection with U.S. Appl. No. 13/314,875, filed Dec. 8, 2011.

* cited by examiner

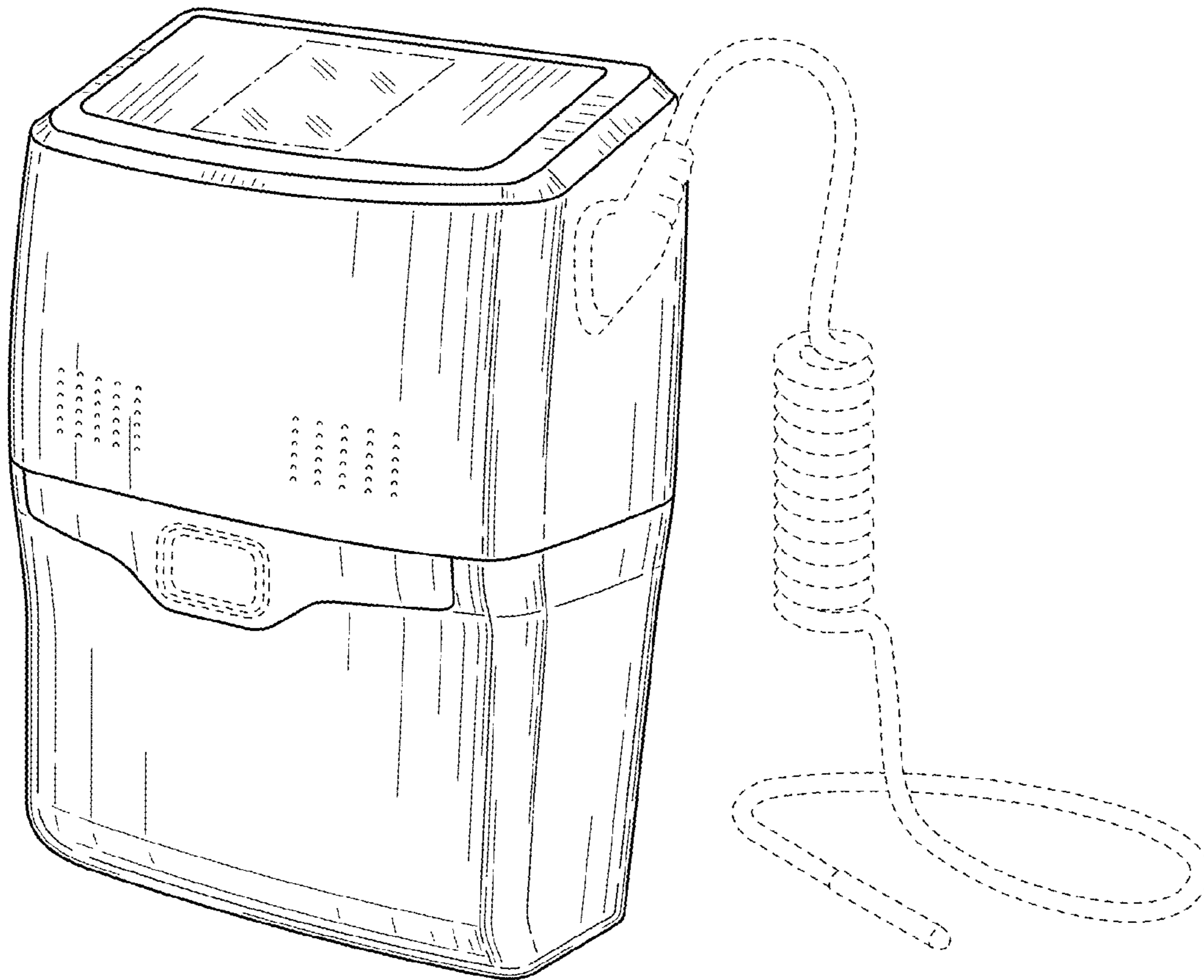


FIG. 1

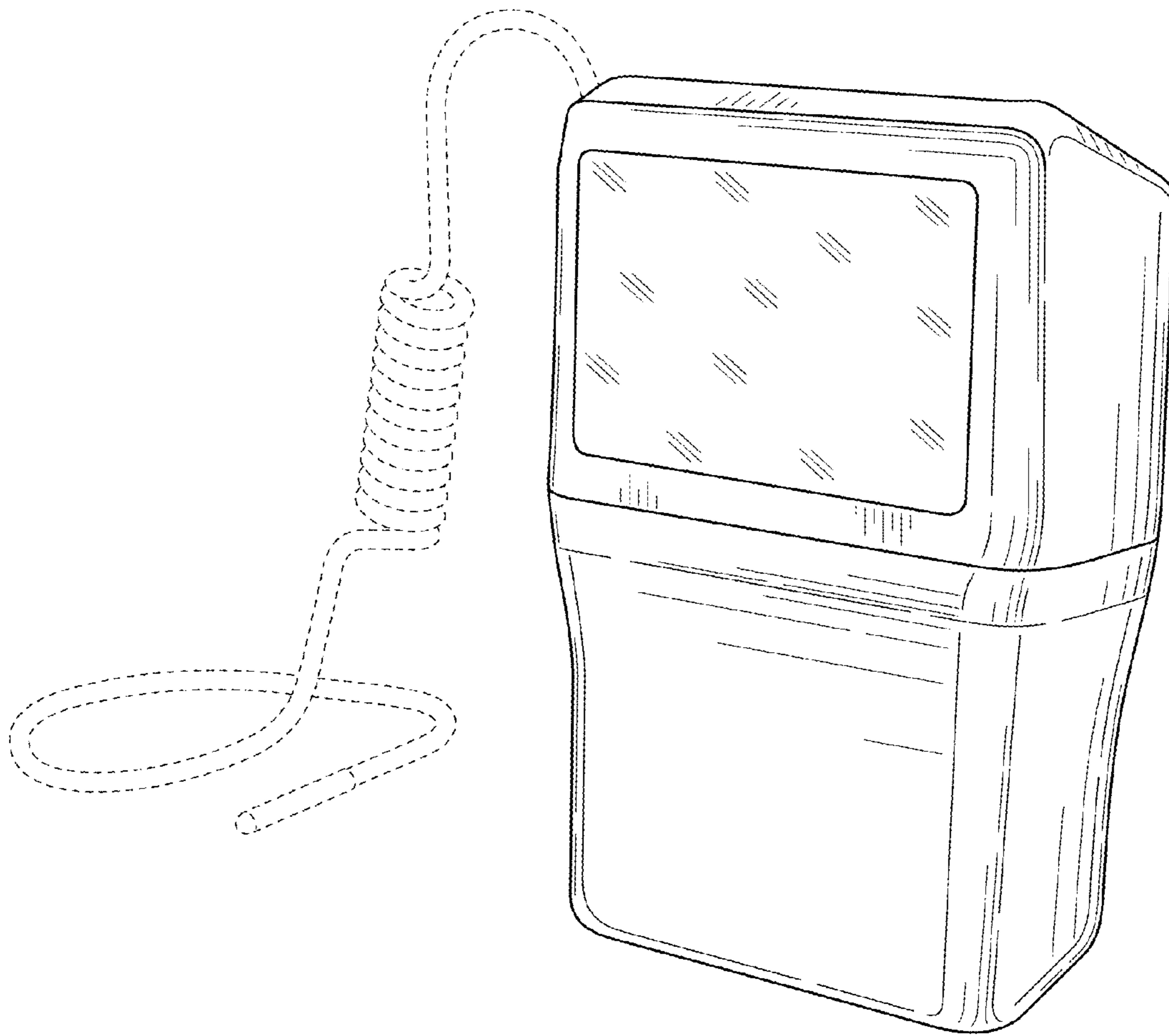


FIG. 2

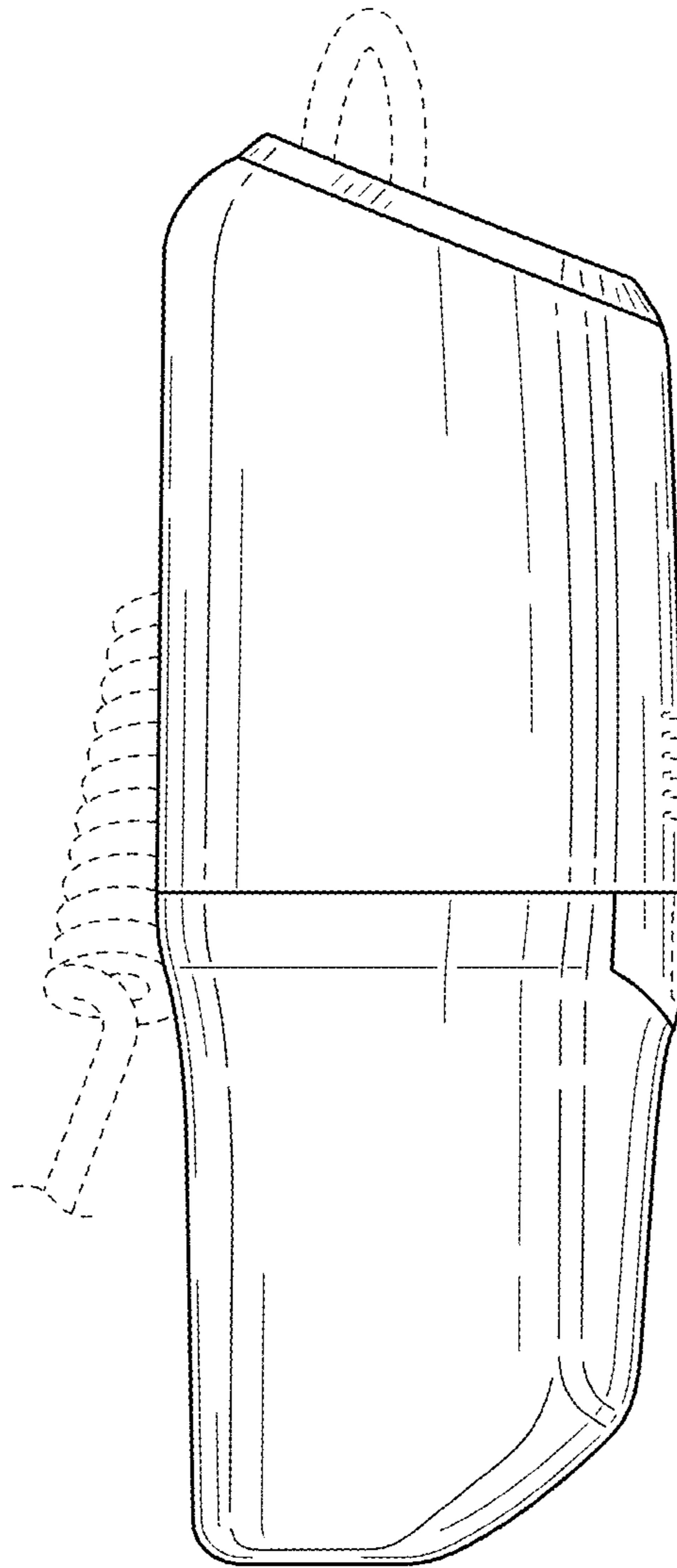


FIG. 3

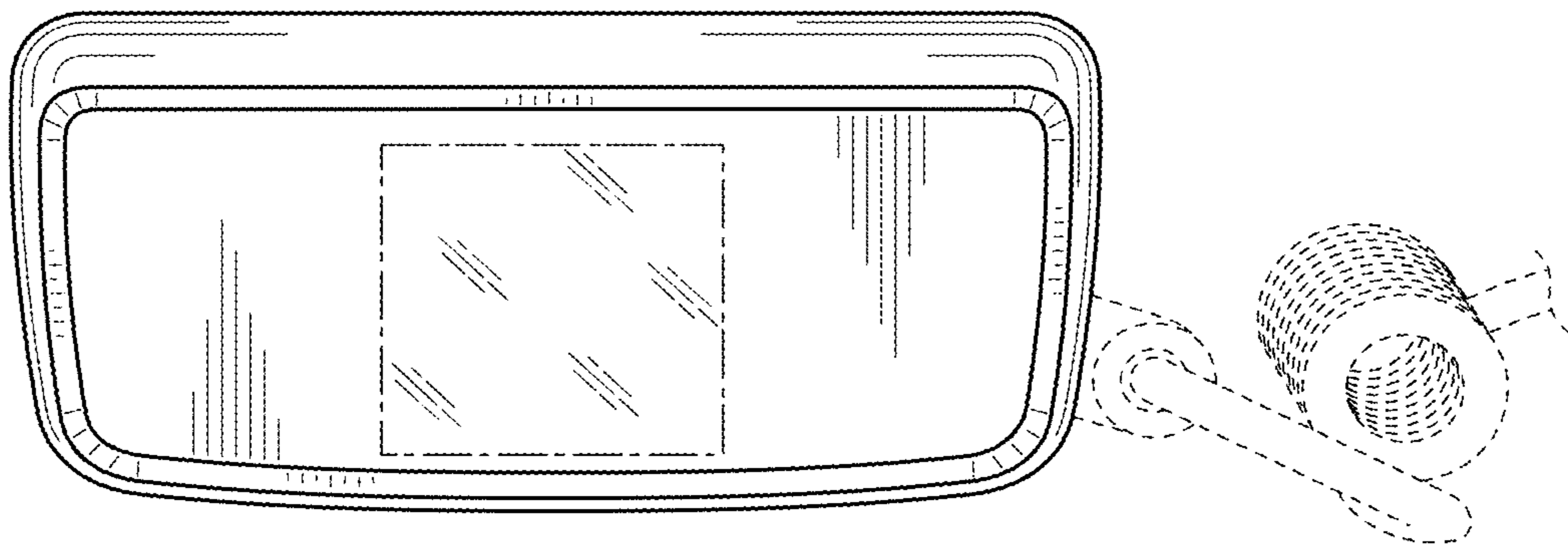


FIG. 4

UNITED STATES PATENT AND TRADEMARK OFFICE
CERTIFICATE OF CORRECTION

PATENT NO. : D751,200 S
APPLICATION NO. : 29/465199
DATED : March 8, 2016
INVENTOR(S) : Jeffrey A. LaRose et al.

Page 1 of 1

It is certified that error appears in the above-identified patent and that said Letters Patent is hereby corrected as shown below:

On the title page item (63) Related U.S. Application Data: "Continuation-in-part of application No. 13/314,875, filed on Dec. 8, 2011, now Pat. No. 8,597,350." should read --Continuation-in-part of application No. 13/314,875, filed on Dec. 8, 2011, now Pat. No. 8,597,350, which claims benefit of 61/421,557 filed on 12/09/2010--

Signed and Sealed this
Seventeenth Day of May, 2016



Michelle K. Lee
Director of the United States Patent and Trademark Office