

US00D751198S

(12) **United States Design Patent**
Ahluwalia et al.

(10) **Patent No.:** **US D751,198 S**
(45) **Date of Patent:** **** Mar. 8, 2016**

(54) **MEDICAL DEVICE**

(71) Applicants: **Prabhat Kumar Ahluwalia**, Little Falls, NY (US); **Puja Ahluwalia**, Little Falls, NY (US)

(72) Inventors: **Prabhat Kumar Ahluwalia**, Little Falls, NY (US); **Puja Ahluwalia**, Little Falls, NY (US)

(**) Term: **14 Years**

(21) Appl. No.: **29/519,804**

(22) Filed: **Mar. 9, 2015**

Related U.S. Application Data

(63) Continuation-in-part of application No. 14/604,692, filed on Jan. 24, 2015, which is a continuation-in-part of application No. 14/204,766, filed on Mar. 11, 2014.

(51) **LOC (10) Cl.** **24-02**

(52) **U.S. Cl.**
USPC **D24/141**; D24/133

(58) **Field of Classification Search**
USPC D24/141, 107, 127, 133, 147; 606/119
CPC A61B 17/42; A61B 17/4241
See application file for complete search history.

(56) **References Cited**

U.S. PATENT DOCUMENTS

78,431 A	6/1868	Cole	
1,219,496 A	3/1917	Shaulis	
2,071,248 A	2/1937	Campbell	
2,324,656 A	7/1943	Vincent	
3,926,192 A *	12/1975	Van Maren A61B 17/4241 606/119
4,785,804 A	11/1988	Tlapek	
4,883,071 A	11/1989	Pickhard	
4,989,618 A	2/1991	Shihata	
5,100,388 A	3/1992	Behl et al.	
5,209,754 A	5/1993	Ahluwalia	
5,540,700 A	7/1996	Rowden	
5,571,115 A *	11/1996	Nicholas A61B 17/4241

5,840,077 A *	11/1998	Rowden A61B 17/4241 606/119
6,230,709 B1	5/2001	Lavean	
6,773,418 B1	8/2004	Sharrow	
D511,831 S	11/2005	Turchi	
D512,143 S	11/2005	Weber	
D517,692 S	3/2006	Weber	
D568,472 S	5/2008	Sargent	

(Continued)

FOREIGN PATENT DOCUMENTS

WO PCT/US14/23247 9/2014

OTHER PUBLICATIONS

U.S. Appl. No. 14/604,692 Office Action, Mail date Mar. 25, 2015.
(Continued)

Primary Examiner — Wan Laymon
(74) *Attorney, Agent, or Firm* — Pierson IP, PLLC

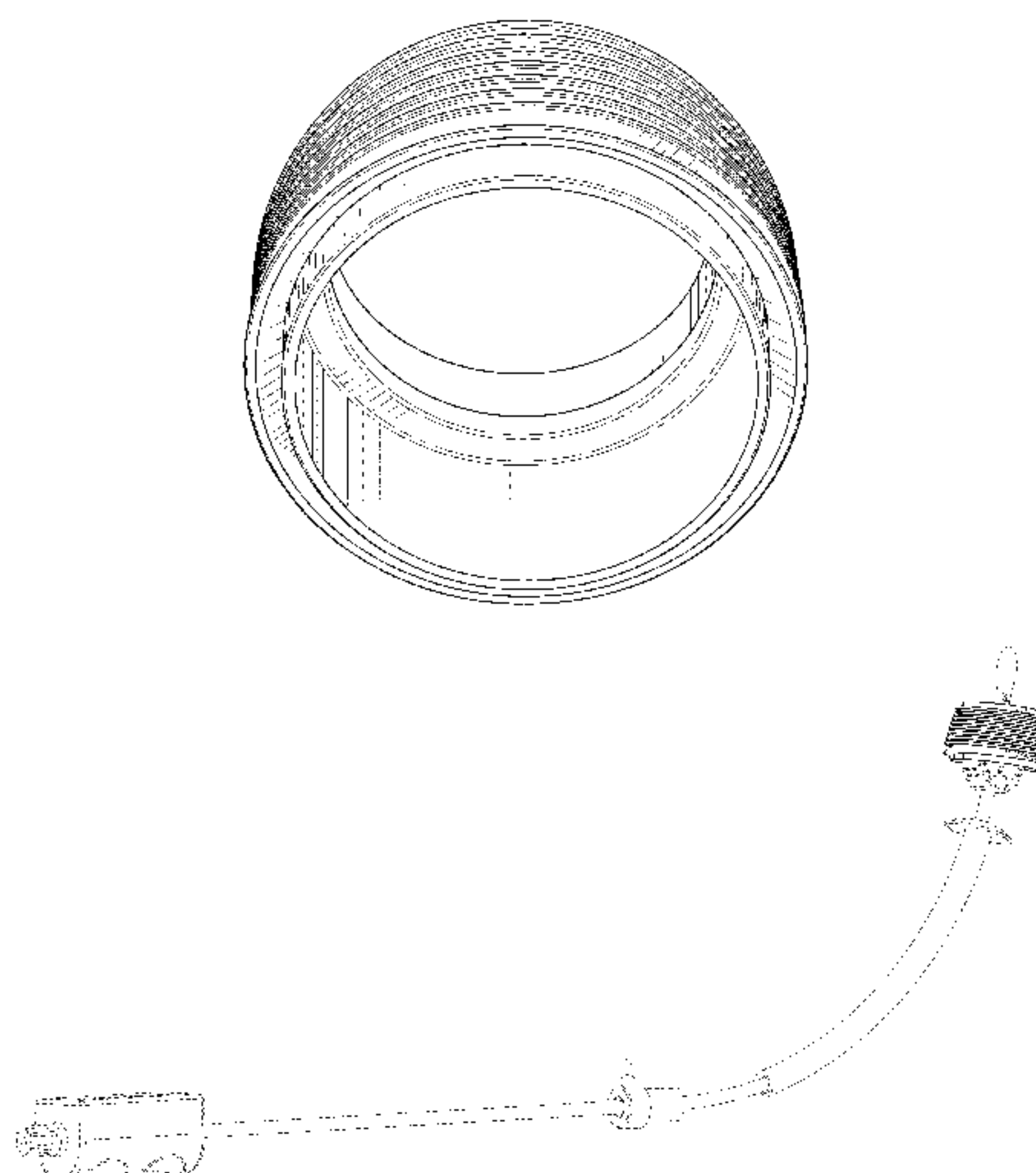
(57) **CLAIM**

The ornamental design for a medical device, as shown and described.

DESCRIPTION

FIG. 1 is a perspective view of a medical device showing our new design;
FIG. 2 is a top view of a medical device shown in FIG. 1;
FIG. 3 is a first side view of the medical device shown in FIG. 1;
FIG. 4 is a bottom view of the medical device shown in FIG. 1;
FIG. 5 is a perspective view of the medical device shown in FIG. 1; and,
FIG. 6 is a perspective view of the medical device shown in FIG. 1.
Elements shown in broken lines show environmental structures or non-claimed portions of the medical device and form no part of our design.

1 Claim, 6 Drawing Sheets



(56)

References Cited

U.S. PATENT DOCUMENTS

D595,409 S 6/2009 Takashima
 D602,587 S 10/2009 Edgett
 D667,550 S * 9/2012 Keckstein D24/141
 8,603,105 B2 12/2013 Saur
 8,663,239 B2 * 3/2014 Hess A61B 17/4241
 606/119
 8,770,200 B2 7/2014 Ahluwalia
 8,939,988 B2 * 1/2015 Auerbach A61B 17/4241
 606/119
 9,011,433 B2 * 4/2015 Batchelor A61B 18/1485
 606/41
 9,089,365 B2 * 7/2015 Jones A61B 17/4241
 9,101,390 B2 * 8/2015 Singh A61B 17/4241
 D742,513 S * 11/2015 Ahluwalia D24/141
 2005/0277948 A1 12/2005 Cedars et al.
 2007/0038170 A1 2/2007 Joseph
 2008/0039864 A1 2/2008 Feuer
 2010/0106163 A1 4/2010 Blair et al.
 2010/0280524 A1 * 11/2010 Lopez Zepeda ... A61B 17/4241
 606/119
 2010/0331859 A1 12/2010 Mori

2011/0259344 A1 10/2011 Ahluwalia
 2012/0109146 A1 5/2012 Auerbach
 2012/0143209 A1 6/2012 Brecheen
 2012/0330324 A1 12/2012 Sauer
 2013/0023896 A1 1/2013 Quimby
 2013/0345714 A1 12/2013 Blair
 2014/0135587 A1 * 5/2014 Hess A61B 17/4241
 606/119
 2014/0200591 A1 * 7/2014 Sullivan A61B 17/42
 606/119
 2014/0257322 A1 * 9/2014 Batchelor A61B 17/4241
 606/119
 2014/0358158 A1 * 12/2014 Einarsson A61B 17/42
 606/119
 2014/0371539 A1 12/2014 Ahluwalia

OTHER PUBLICATIONS

Conmed Endosurgery, "Vcare and Vcare DX," The American Academy of Gynecologic Laparoscopists, Nov. 7, 2010 in the Journal of Minimally Invasive Gynecology, 4 pages.
 Coopersurgical, "Koh Hysterectomy Products" 2012, 2 pages.

* cited by examiner

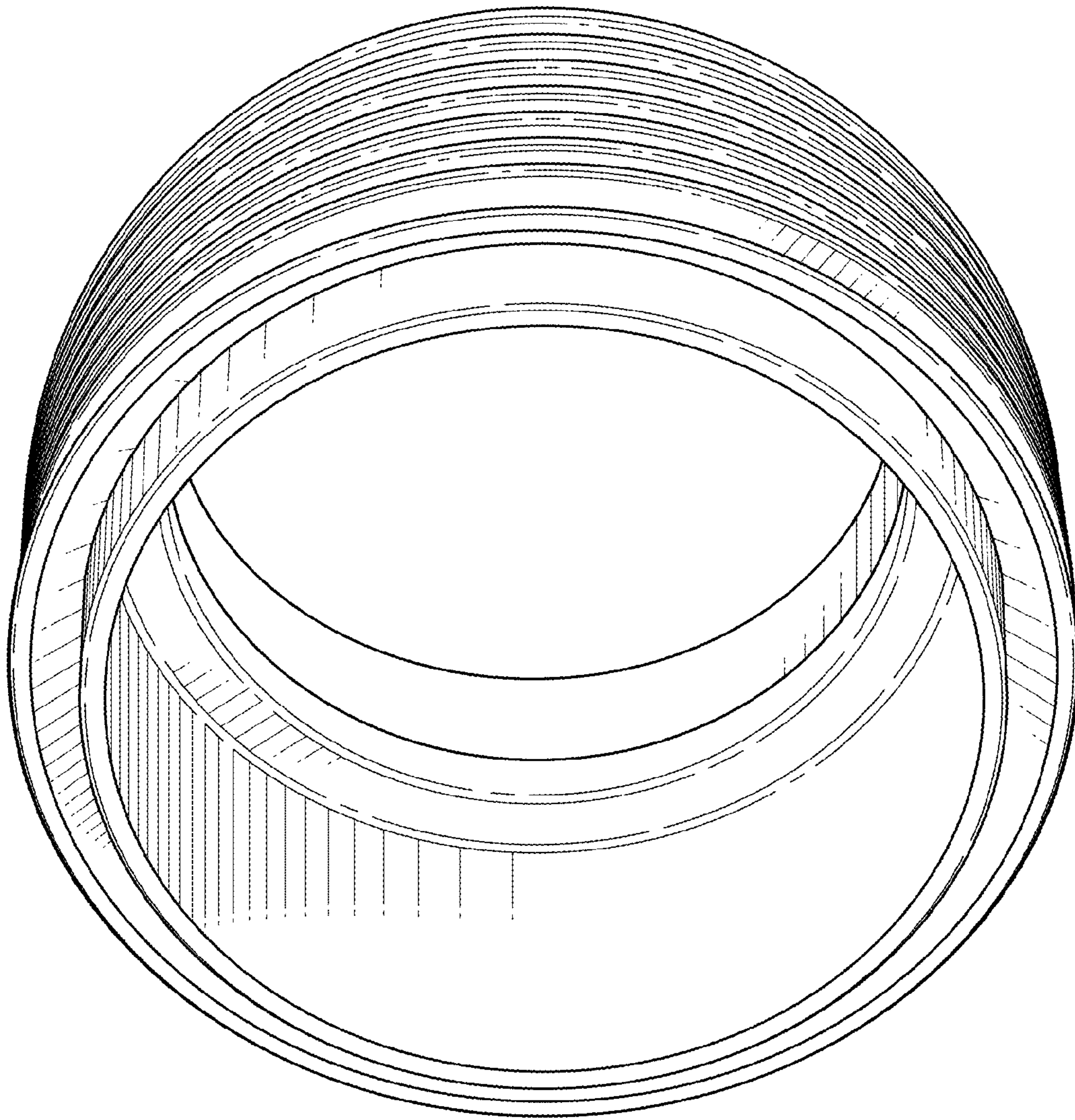


FIG. 1

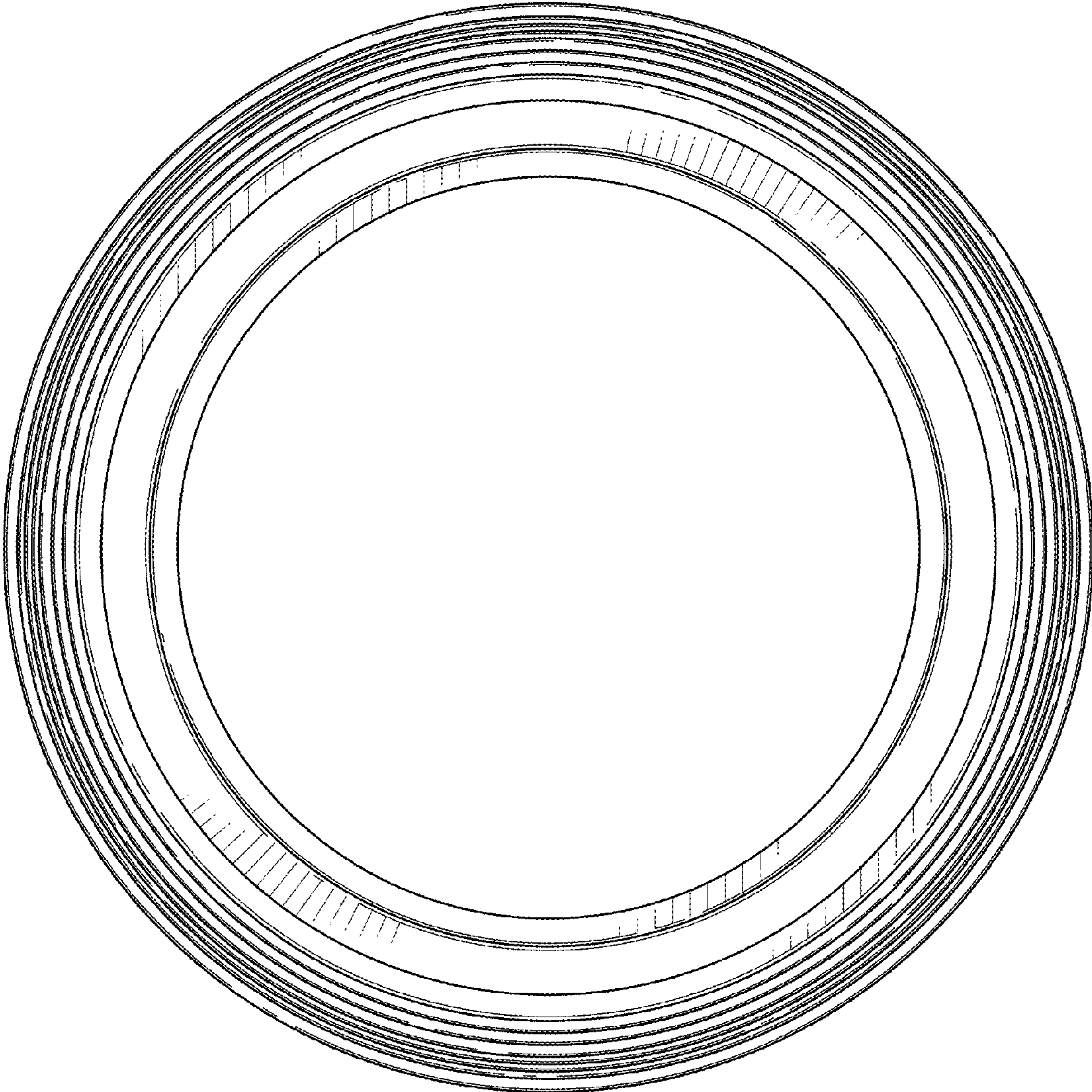


FIG. 2

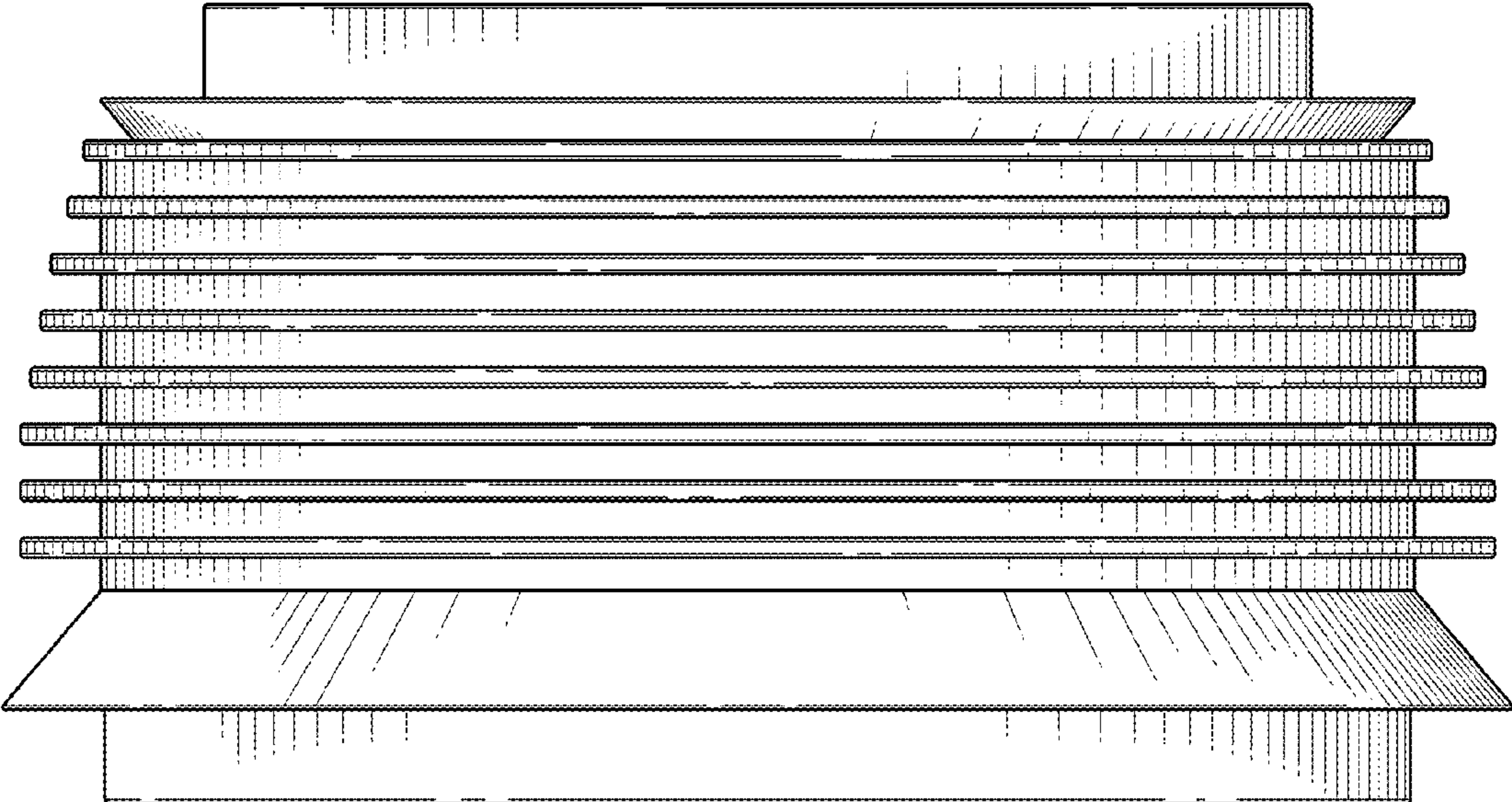


FIG. 3

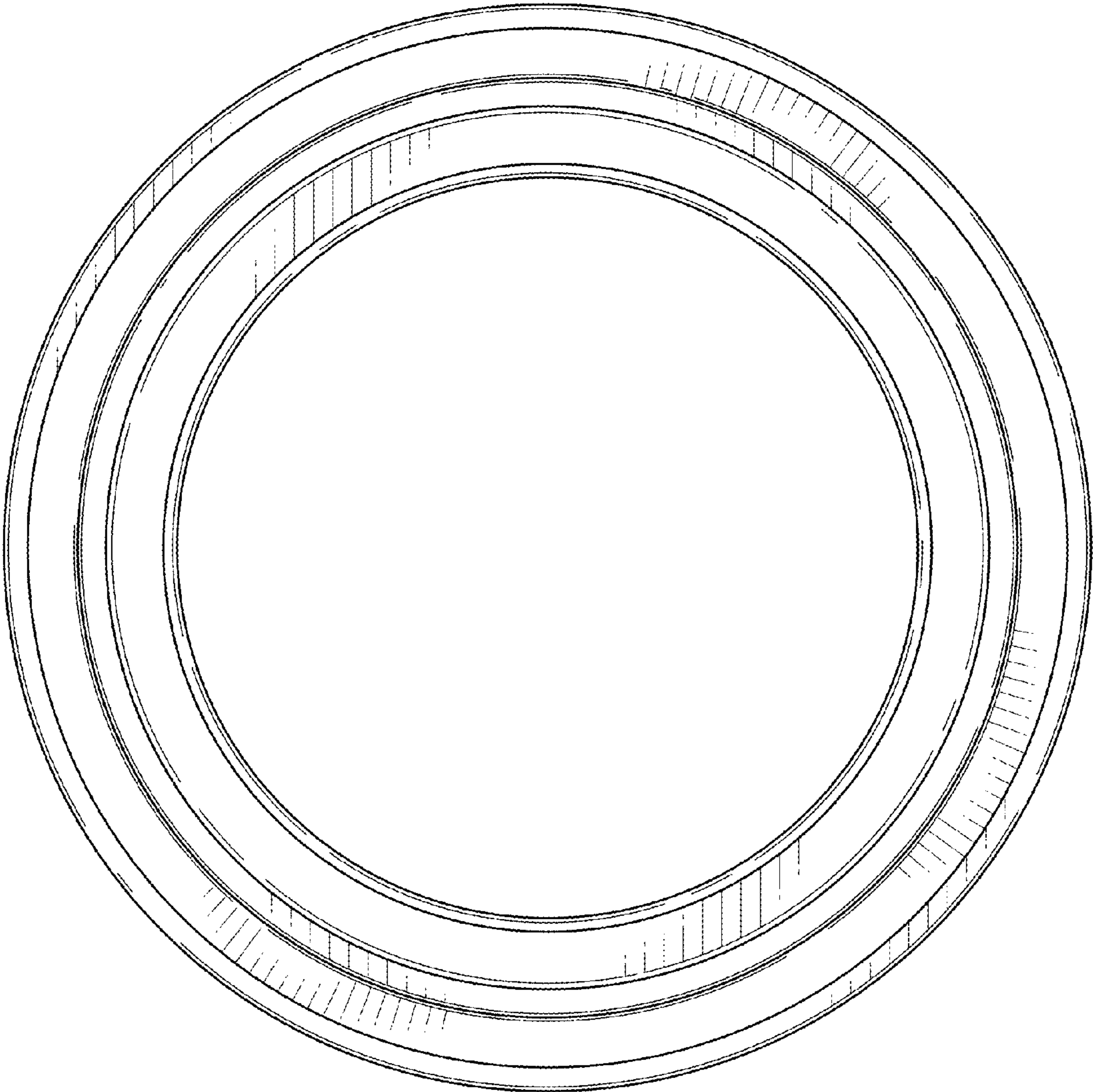


FIG. 4

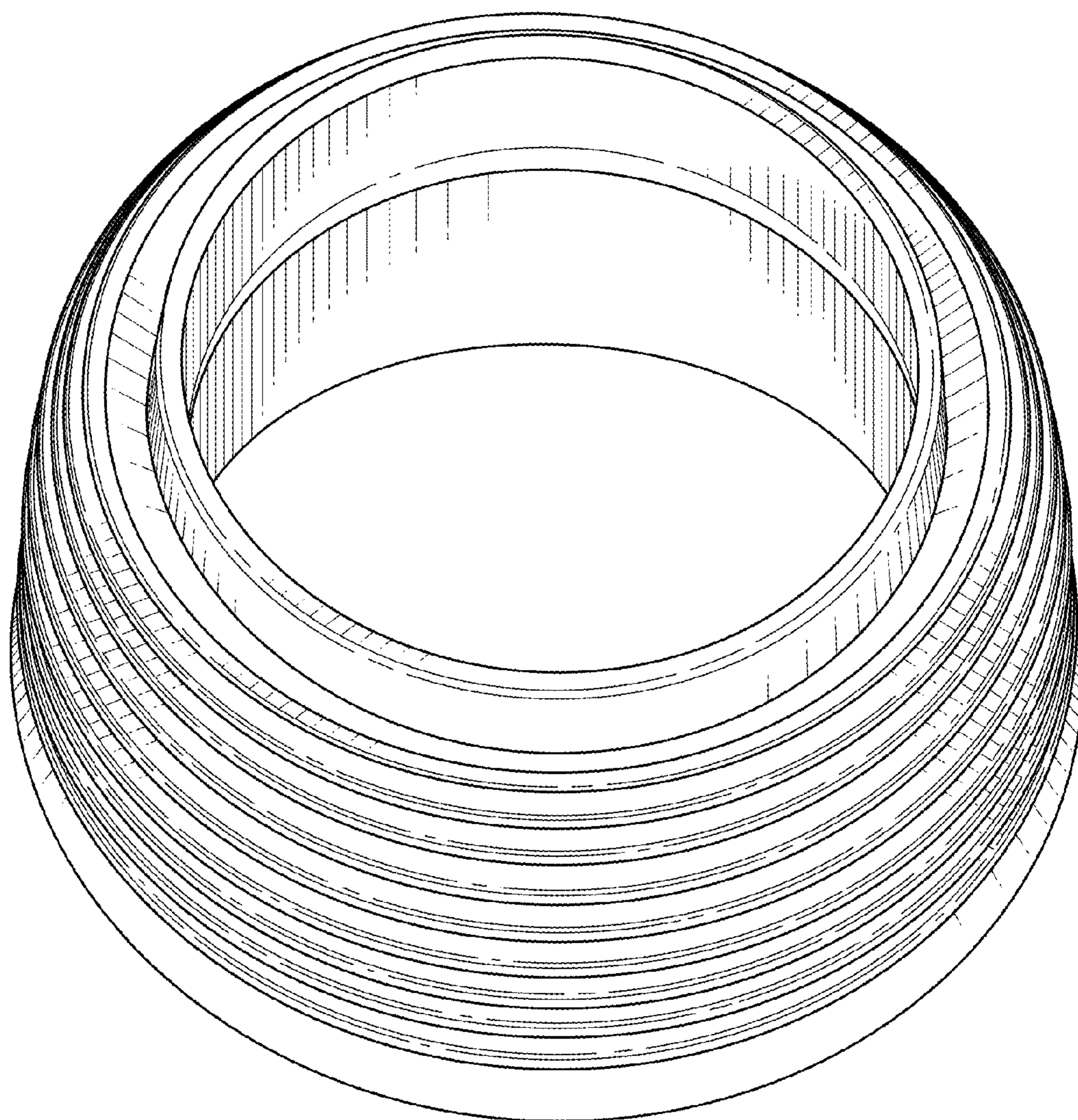


FIG. 5

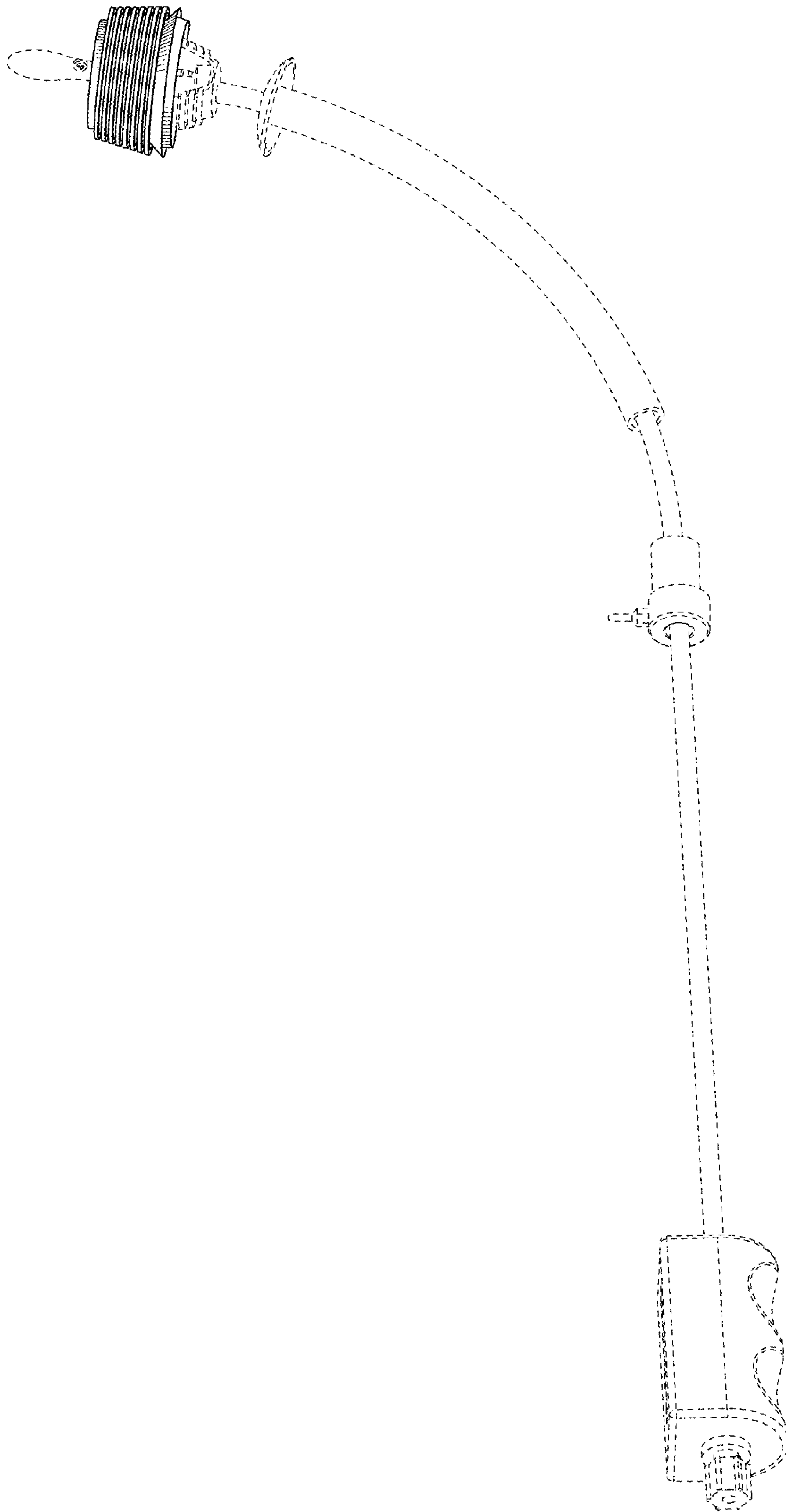


FIG. 6