



US00D751196S

(12) **United States Design Patent**
Wapler et al.

(10) **Patent No.:** **US D751,196 S**
(45) **Date of Patent:** **** Mar. 8, 2016**

(54) **SURGICAL INSTRUMENT**

(71) Applicant: **Stryker European Holdings I, LLC**,
Kalamazoo, MI (US)
(72) Inventors: **Matthias Wapler**, Kirchzarten (DE);
Sascha Kubis, Freiburg (DE)
(73) Assignee: **STRYKER EUROPEAN HOLDINGS,**
I, LLC, Kalamazoo, MI (US)
(**) Term: **14 Years**
(21) Appl. No.: **29/511,400**
(22) Filed: **Dec. 10, 2014**

(30) **Foreign Application Priority Data**

Nov. 5, 2014 (EM) 001424378-0001
Nov. 5, 2014 (EM) 001424378-0002

(51) **LOC (10) Cl.** **24-02**

(52) **U.S. Cl.**
USPC **D24/133**

(58) **Field of Classification Search**
USPC D24/133, 137-138, 143-144, 145-147;
128/897, 898, 899; 600/104, 153, 154,
600/564; 604/22, 27; 606/1, 37, 104, 130,
606/139, 148, 167, 220, 232
CPC .. A61B 17/00; A61B 18/00; A61B 17/00491;
A61B 1/00105; A61B 1/0052; A61B 1/0058;
A61B 1/00052; A61B 1/00066; A61B
17/06109; A61B 17/8819; A61B 17/8825;
A61M 37/04

See application file for complete search history.

(56) **References Cited**

U.S. PATENT DOCUMENTS

D449,693 S * 10/2001 Shibuya D24/112
D466,213 S * 11/2002 Snitkin D24/133
D704,332 S * 5/2014 Casey D24/133
D704,333 S * 5/2014 Casey D24/133
D717,431 S * 11/2014 Cardinale D24/133

* cited by examiner

Primary Examiner — Wan Laymon

Assistant Examiner — Mark Booker

(74) *Attorney, Agent, or Firm* — Howard & Howard
Attorneys PLLC

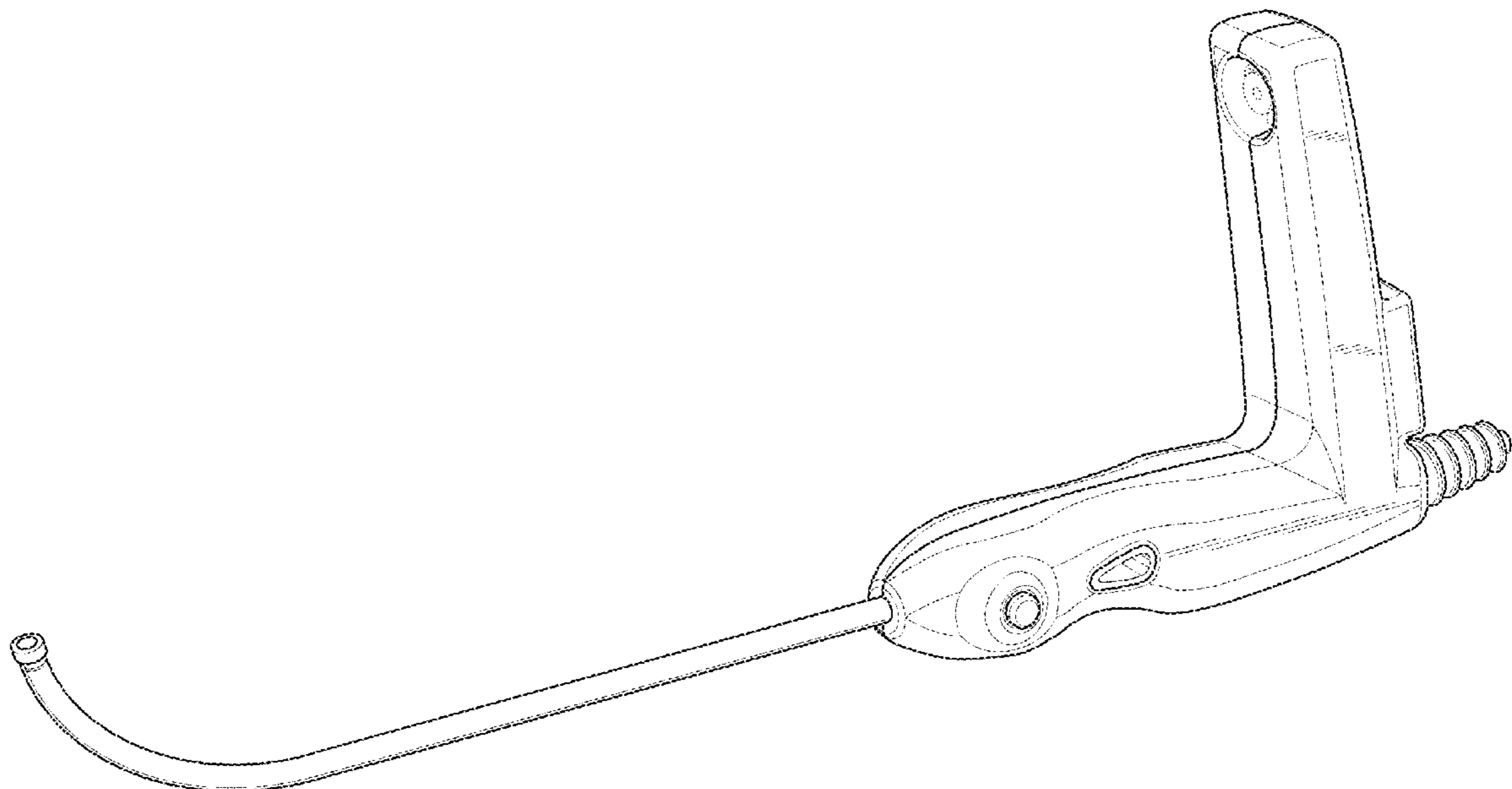
(57) **CLAIM**

The ornamental design for a surgical instrument, as shown
and described.

DESCRIPTION

FIG. 1 is a right perspective view of a surgical instrument;
FIG. 2 is a left perspective view of the surgical instrument;
FIG. 3 is a left-side view of the surgical instrument;
FIG. 4 is a right-side view of the surgical instrument;
FIG. 5 is a top view of the surgical instrument;
FIG. 6 is a bottom view of the surgical instrument;
FIG. 7 is a front view of the surgical instrument; and,
FIG. 8 is a rear view of the surgical instrument.
The broken lines shown in the figures represent portions of
the article that form no part of the claimed design.

1 Claim, 6 Drawing Sheets



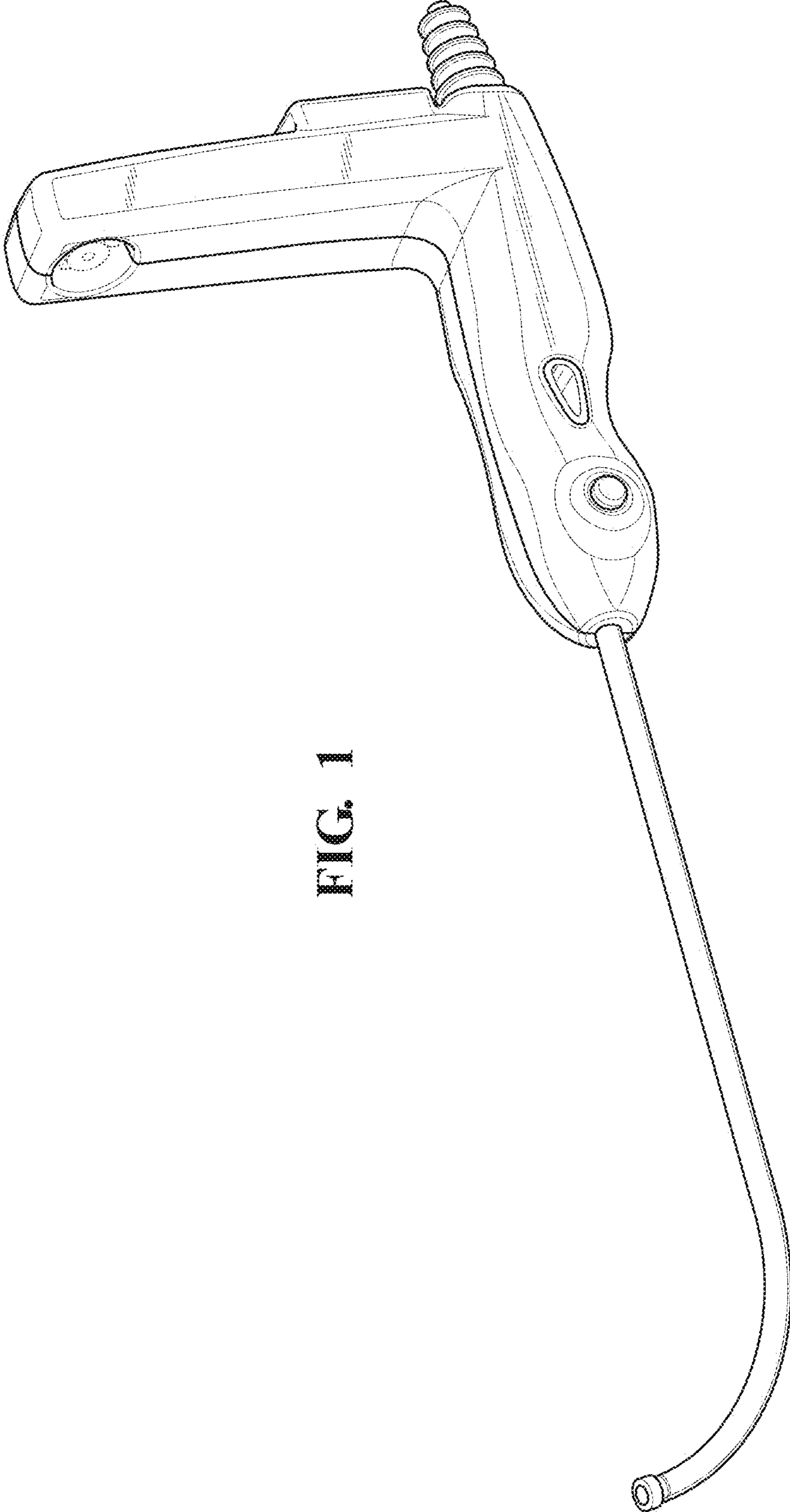


FIG. 1

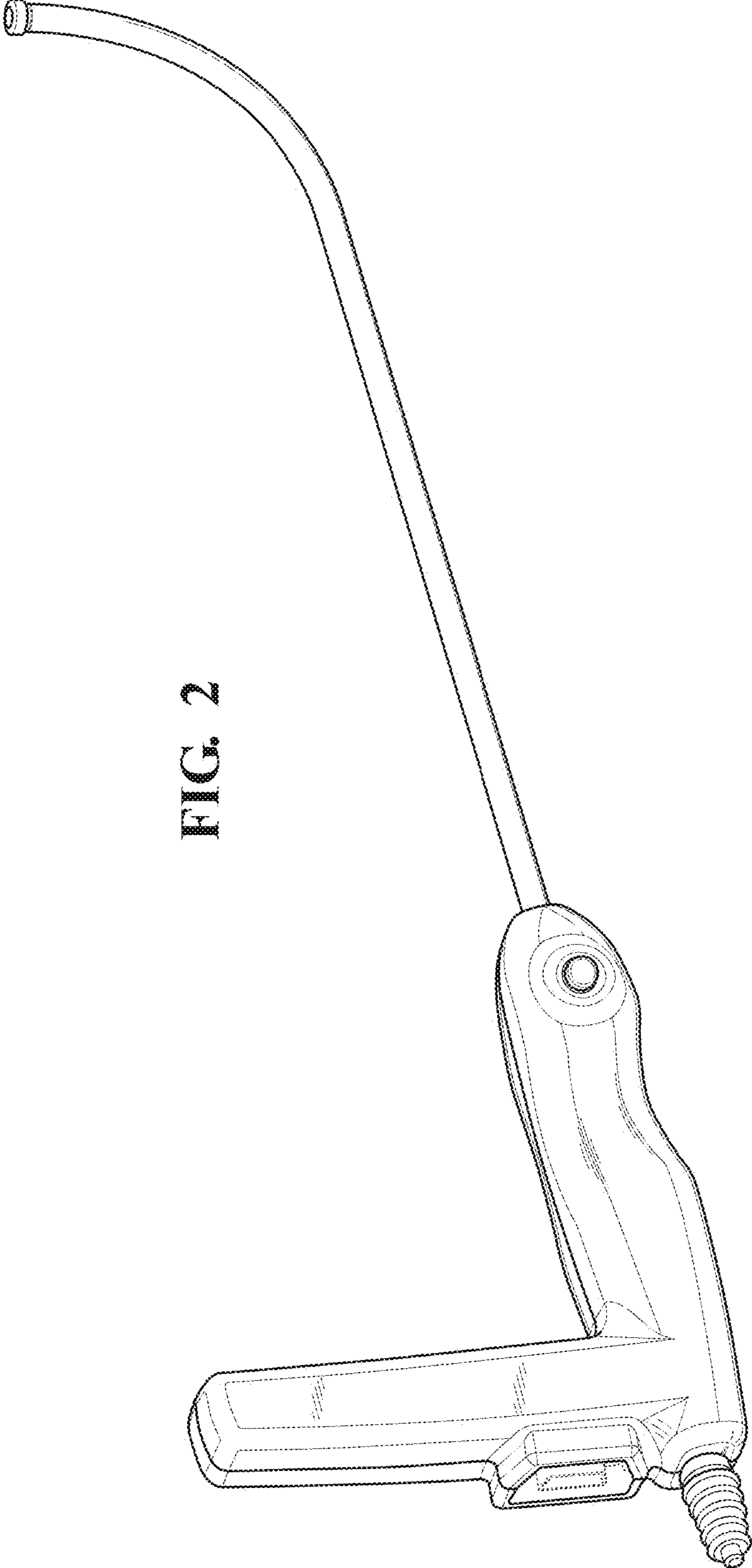


FIG. 2

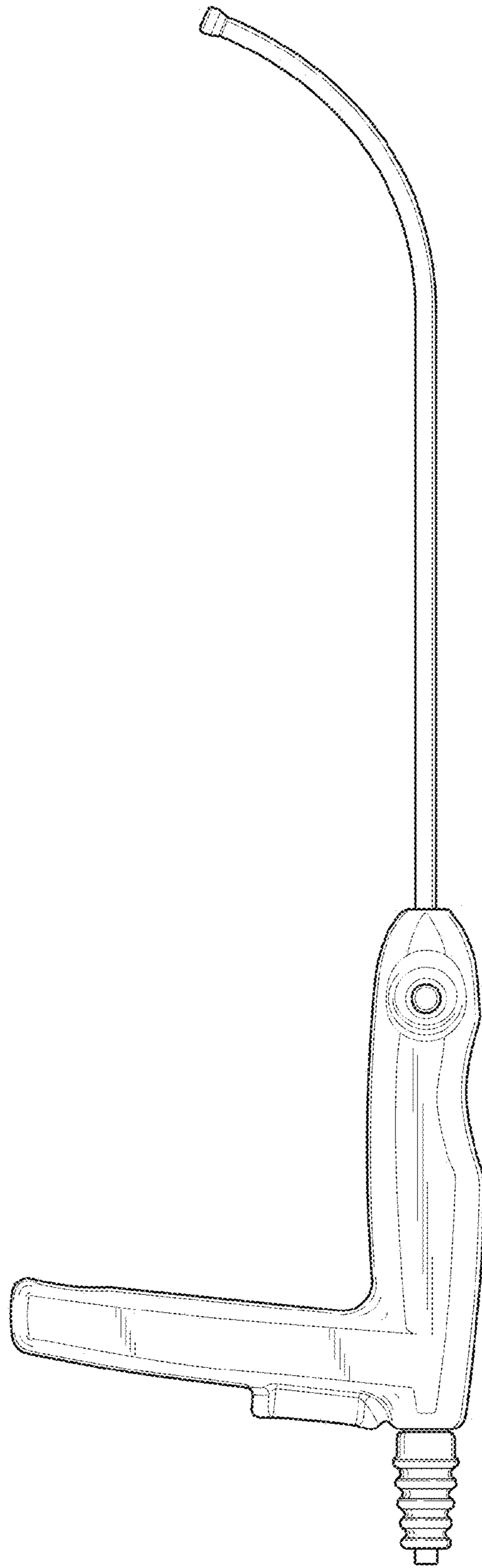


FIG. 3

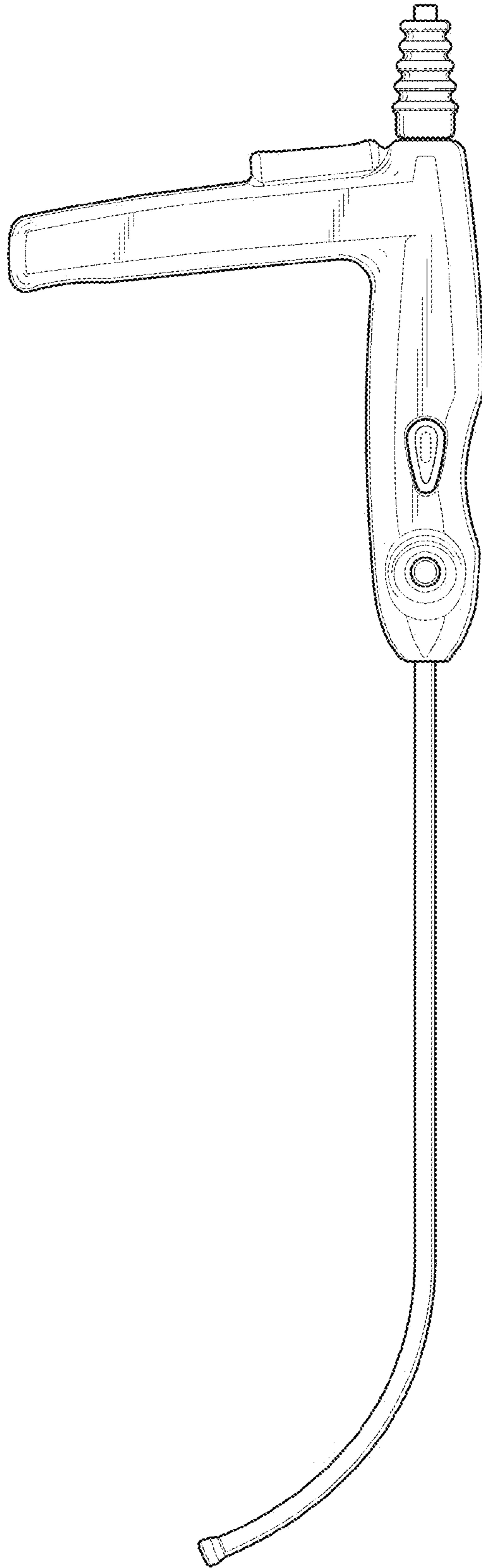


FIG. 4

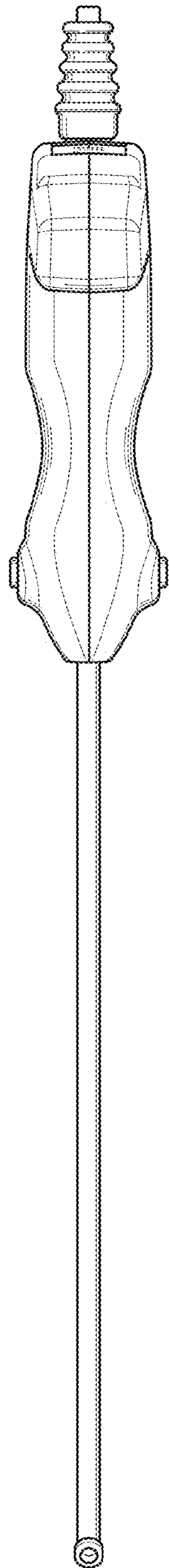


FIG. 5

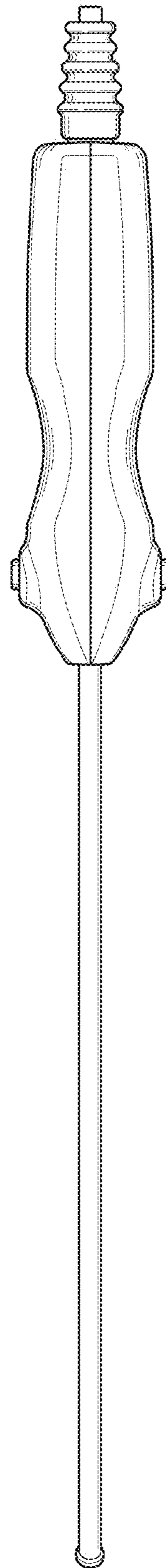


FIG. 6

FIG. 8

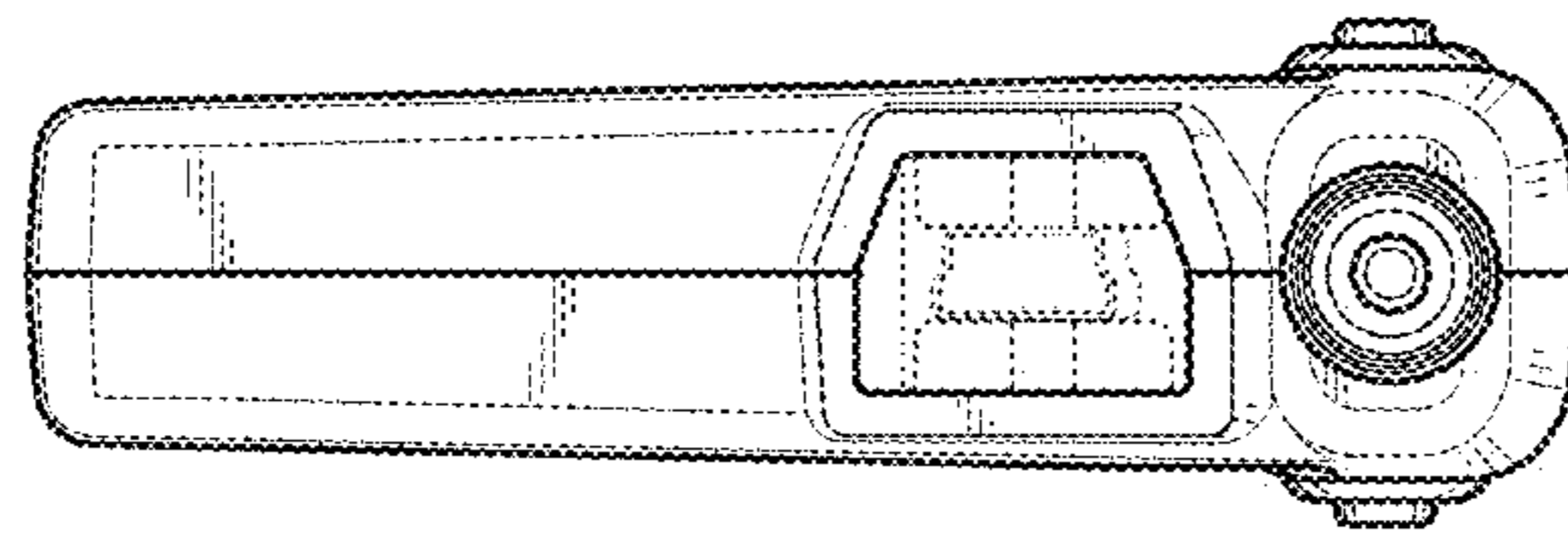


FIG. 7

