



US00D751194S

(12) **United States Design Patent**
Yu et al.

(10) **Patent No.:** **US D751,194 S**
(45) **Date of Patent:** **** Mar. 8, 2016**

(54) **CATHETER HANDLE**

(71) Applicant: **St. Jude Medical, Cardiology Division, Inc.**, St. Paul, MN (US)

(72) Inventors: **Alex Yu**, Minneapolis, MN (US);
Stephen W. Evans, Plymouth, MN (US)

(73) Assignee: **St. Jude Medical, Cardiology Division, Inc.**, St. Paul, MN (US)

(**) Term: **14 Years**

(21) Appl. No.: **29/520,320**

(22) Filed: **Mar. 13, 2015**

Related U.S. Application Data

(62) Division of application No. 29/481,532, filed on Feb. 6, 2014, now Pat. No. Des. 726,908.

(51) **LOC (10) Cl.** **24-02**

(52) **U.S. Cl.**
USPC **D24/130**

(58) **Field of Classification Search**
USPC D24/127, 130, 112-113, 186, 133;
606/181, 185; 604/533, 534, 284, 115,
604/19, 48, 164.01-164.09; 600/226,
600/372-374, 585, 114; 128/200.24,
128/207.14, 207.15

See application file for complete search history.

(56) **References Cited**

U.S. PATENT DOCUMENTS

D345,419 S	3/1994	Horrigan et al.	
D351,652 S	10/1994	Thompson et al.	
7,194,294 B2	3/2007	Panescu et al.	
7,606,609 B2 *	10/2009	Muranushi et al.	600/374
D612,044 S *	3/2010	Scheibe	D24/130
D634,421 S *	3/2011	El-Gad et al.	D24/113
D634,422 S *	3/2011	El-Gad et al.	D24/113

D655,406 S *	3/2012	Ma et al.	D24/112
8,725,228 B2	5/2014	Koblish et al.	
2010/0063478 A1	3/2010	Selkee	

OTHER PUBLICATIONS

Therapy 4mm, Bi-directional catheter deflection, ordering information and accessories, St. Jude Medical, pp. 1-2, n.d. (copyright date identified as 2010)

Safire BLU Duo Bi-directional ablation catheter irrigated 4 mm tip thermocouple quadripolar, St. Jude Medical, p. 169, n.d. (copyright date identified as 2010).

Balzer DX-20, Bidirectional duodecapolar diagnostic catheter, Boston Scientific, n.d. (copyright date identified as 2012). Web Aug. 13, 2014, http://www.bostonscientific.com/content/dam/bostonscientific/ep/portfolio-group/EPT-10908-Prime-Spec_shee.

EZ Steer NAV Bi-directional diagnostic/ablation deflection tip catheter, Instructions for use, Biosense Webster, Inc., pp. 1-16, n.d. (copyright date identified as 2006-2010). Web Aug. 13, 2014.

(Continued)

Primary Examiner — Robert Delehanty

(74) *Attorney, Agent, or Firm* — Dykema Gossett PLLC

(57) **CLAIM**

The ornamental design for a catheter handle, as shown and described.

DESCRIPTION

FIG. 1 is an isometric view of a first embodiment of a catheter handle;

FIG. 2 is a right side elevational view thereof;

FIG. 3 is a left side elevational view thereof;

FIG. 4 is a top plan view thereof;

FIG. 5 is a bottom plan view thereof;

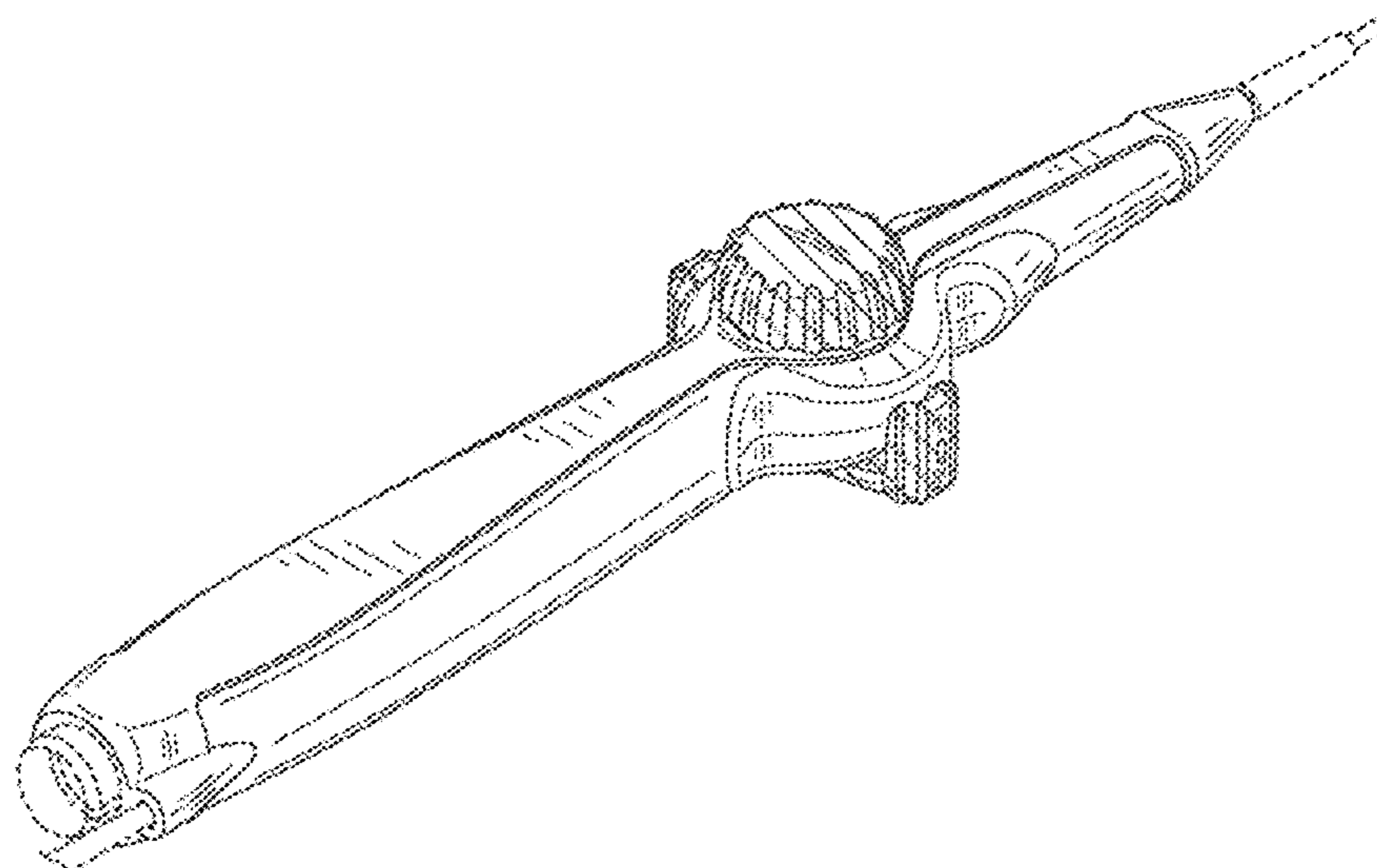
FIG. 6 is a front elevational view thereof; and,

FIG. 7 is a back elevational view thereof.

The broken lines in all views are for environmental and illustrative purposes only and form no part of the claimed design.

FIGS. 1-7 are lined to represent the color green.

1 Claim, 7 Drawing Sheets



(56)

References Cited

OTHER PUBLICATIONS

EZ Steer Thermocool diagnostic/ablation deflectable tip catheter, Instructions for use, Biosense Webster, Inc. pp. 1-16, n.d. (copyright date identified as 2007-2013). Web Aug. 13, 2014.

Blazer Prime, Temperature ablation catheter, Boston Scientific, n.d. (copyright date identified as 2010). 3 pgs. Web Aug. 13, 2014, <http://www.bostonscientific.com/content/dam/bostonscientific/ep/portfolio-group/EPT-10908-Prime-Spec-Shee>.

* cited by examiner

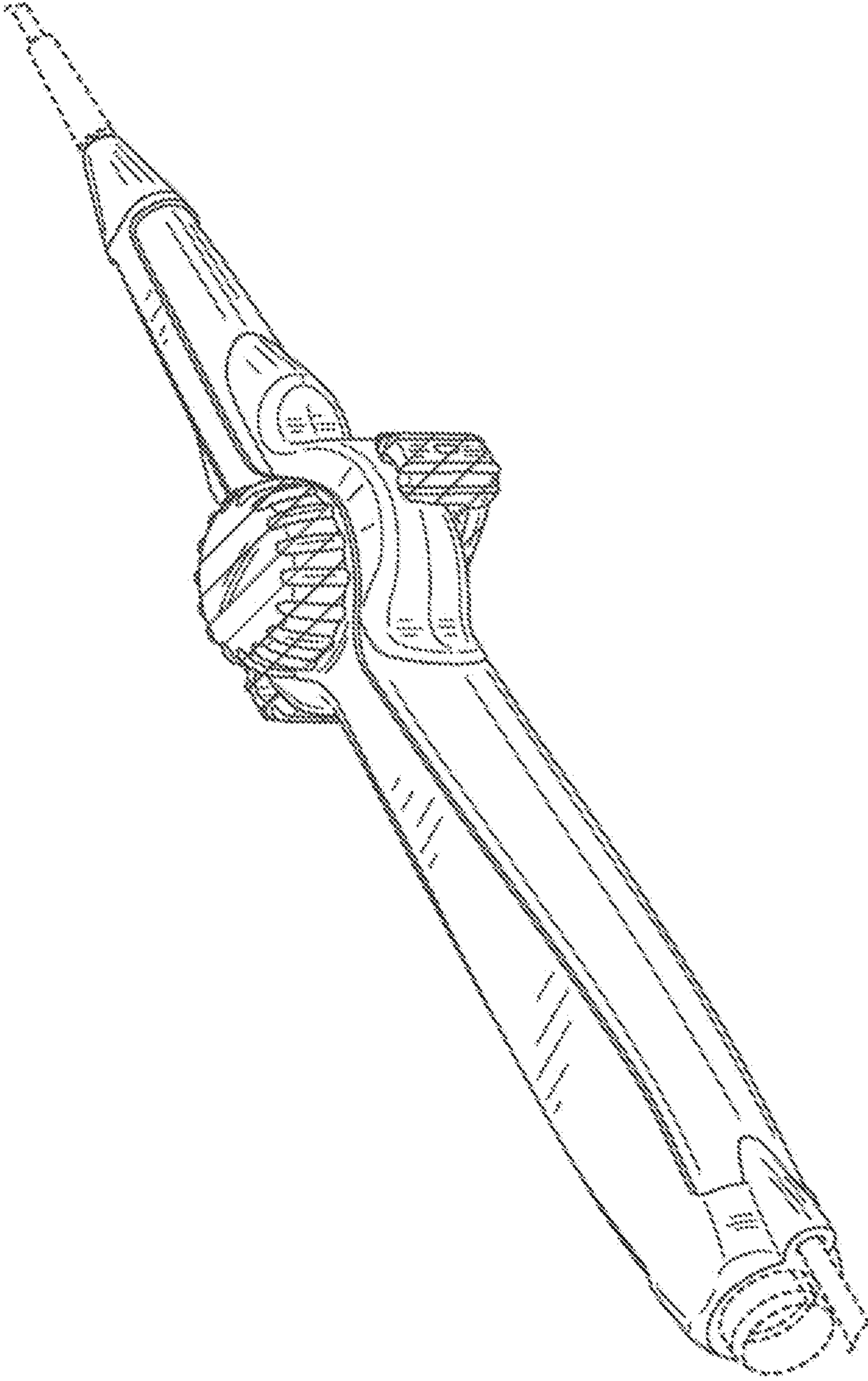


FIG. 1

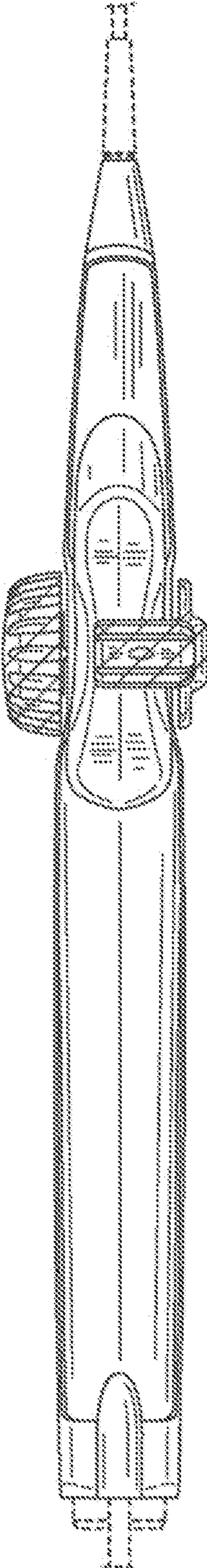


FIG. 2

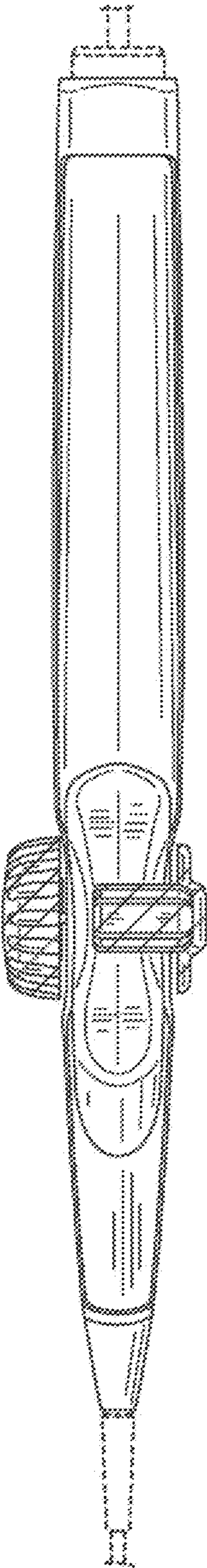


FIG. 3

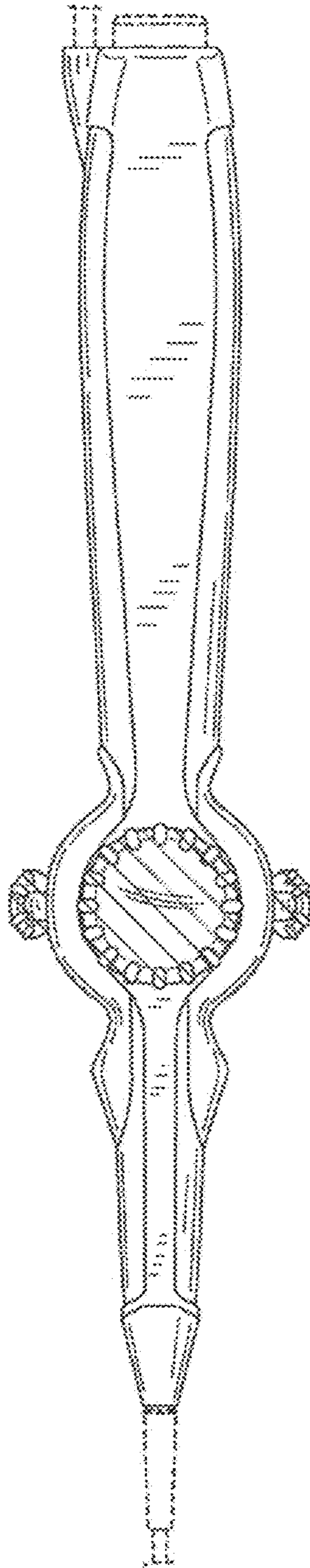


FIG. 4

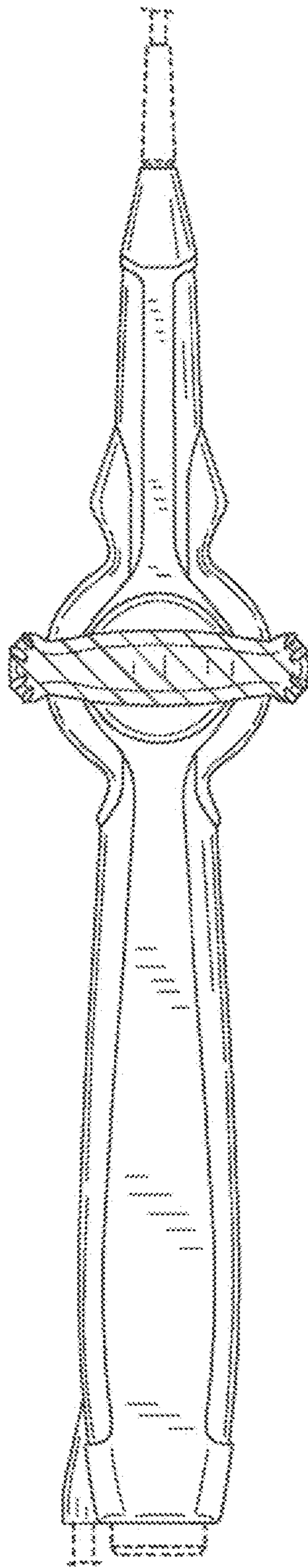


FIG. 5

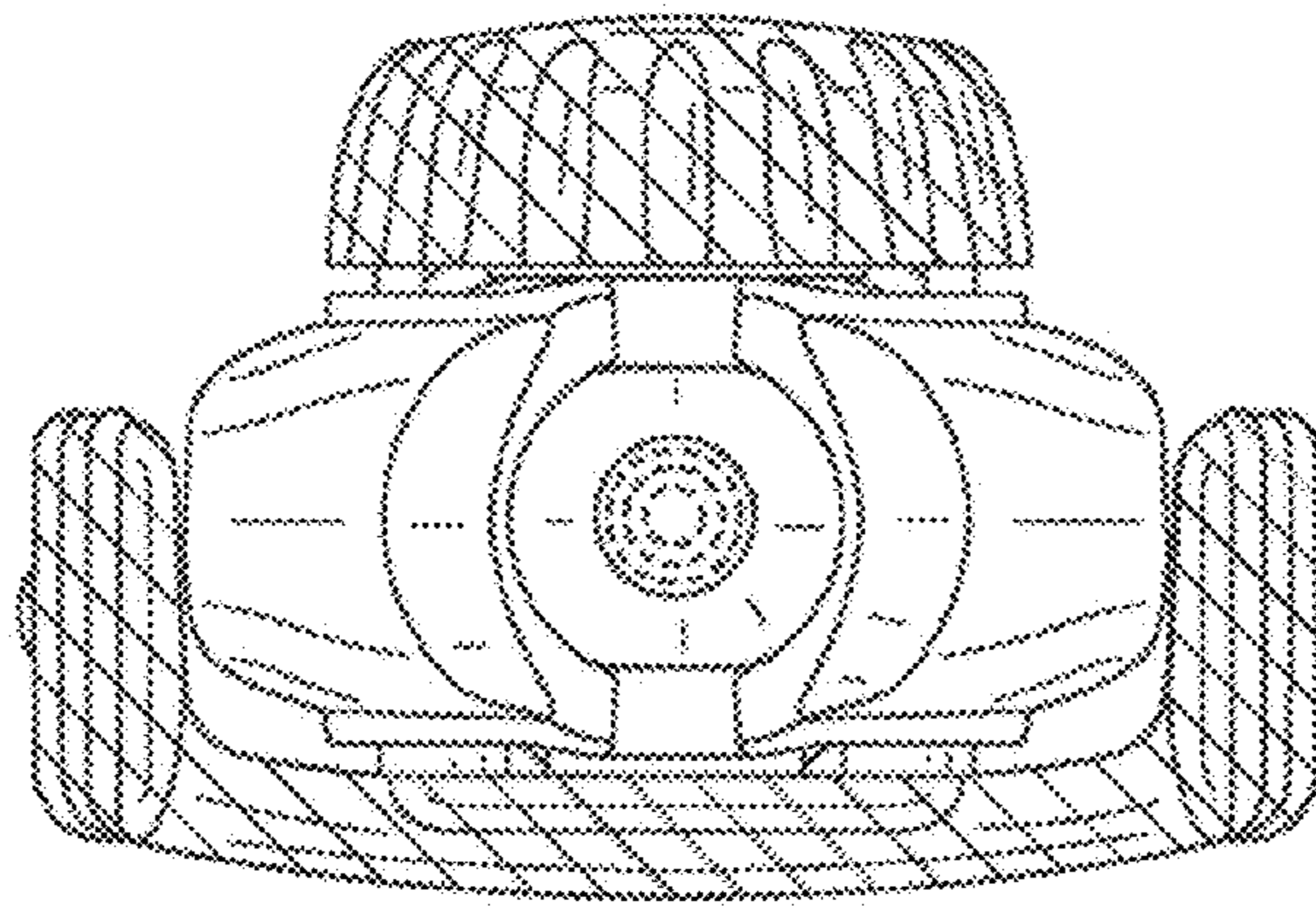


FIG. 6

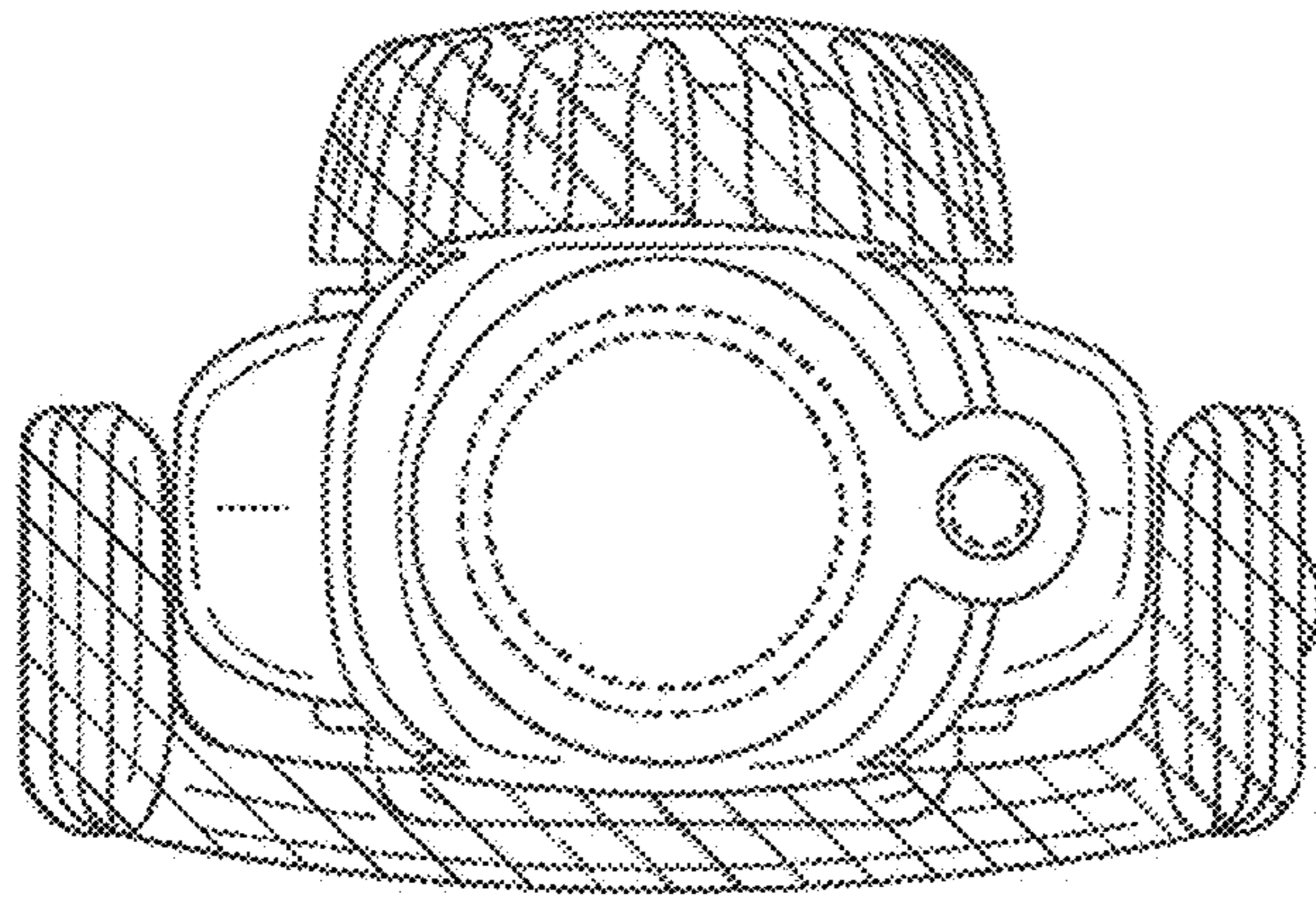


FIG. 7