



US00D751193S

(12) **United States Design Patent**
Griffith et al.

(10) **Patent No.:** **US D751,193 S**
(45) **Date of Patent:** **** Mar. 8, 2016**

(54) **BASE FOR AN ENTERAL FEEDING DEVICE**

4,315,513 A 2/1982 Nawash et al.
4,666,433 A 5/1987 Parks
4,798,592 A 1/1989 Parks
4,944,732 A 7/1990 Russo

(71) Applicant: **AVENT, INC.**, Alpharetta, GA (US)

(72) Inventors: **Nathan C. Griffith**, Johns Creek, GA (US); **Donald J. McMichael**, Roswell, GA (US); **John A. Rotella**, Lake Forest, CA (US)

(Continued)

(73) Assignee: **Avent, Inc.**, Alpharetta, GA (US)

FOREIGN PATENT DOCUMENTS

(**) Term: **14 Years**

(21) Appl. No.: **29/460,583**

EM 000647037-0001 1/2007
WO WO 00/50110 A1 8/2000
WO WO 01/60313 A1 8/2001

(22) Filed: **Jul. 12, 2013**

OTHER PUBLICATIONS

Co-pending U.S. Appl. No. 29/409,358, filed Dec. 22, 2011, by Griffith et al. for "Low Profile Feeding Tube Head."

(Continued)

Related U.S. Application Data

(63) Continuation of application No. 13/334,258, filed on Dec. 22, 2011.

Primary Examiner — Ian Simmons

Assistant Examiner — Samantha Q Lawrence

(74) *Attorney, Agent, or Firm* — Dority & Manning, P.A.

(51) **LOC (10) Cl.** **24-02**

(52) **U.S. Cl.**
USPC **D24/130**

(58) **Field of Classification Search**
USPC D24/117, 118, 121, 122, 124, 162, 190, D24/130, 127, 133, 129, 112-114, 186, D24/108; D2/702; D7/602, 603, 605, 607, D7/608; 604/892.1, 163, 339, 262, 332, 604/342, 508, 334, 337, 99.04, 103.07, 256
See application file for complete search history.

(57) **CLAIM**

The ornamental device for a base for an enteral feeding device, as shown and described.

DESCRIPTION

FIG. 1 is a top view showing our new design of a base for an enteral feeding device;

FIG. 2 is an end view of a base for an enteral feeding device; and

FIG. 3 is a perspective view of a base for an enteral feeding device.

FIG. 4 is a cross-sectional end view of the base for an enteral feeding device taken along lines 4-4 in FIG. 1; and,

FIG. 5 is a cross-sectional side view of the base for an enteral feeding device taken along lines 5-5 in FIG. 1.

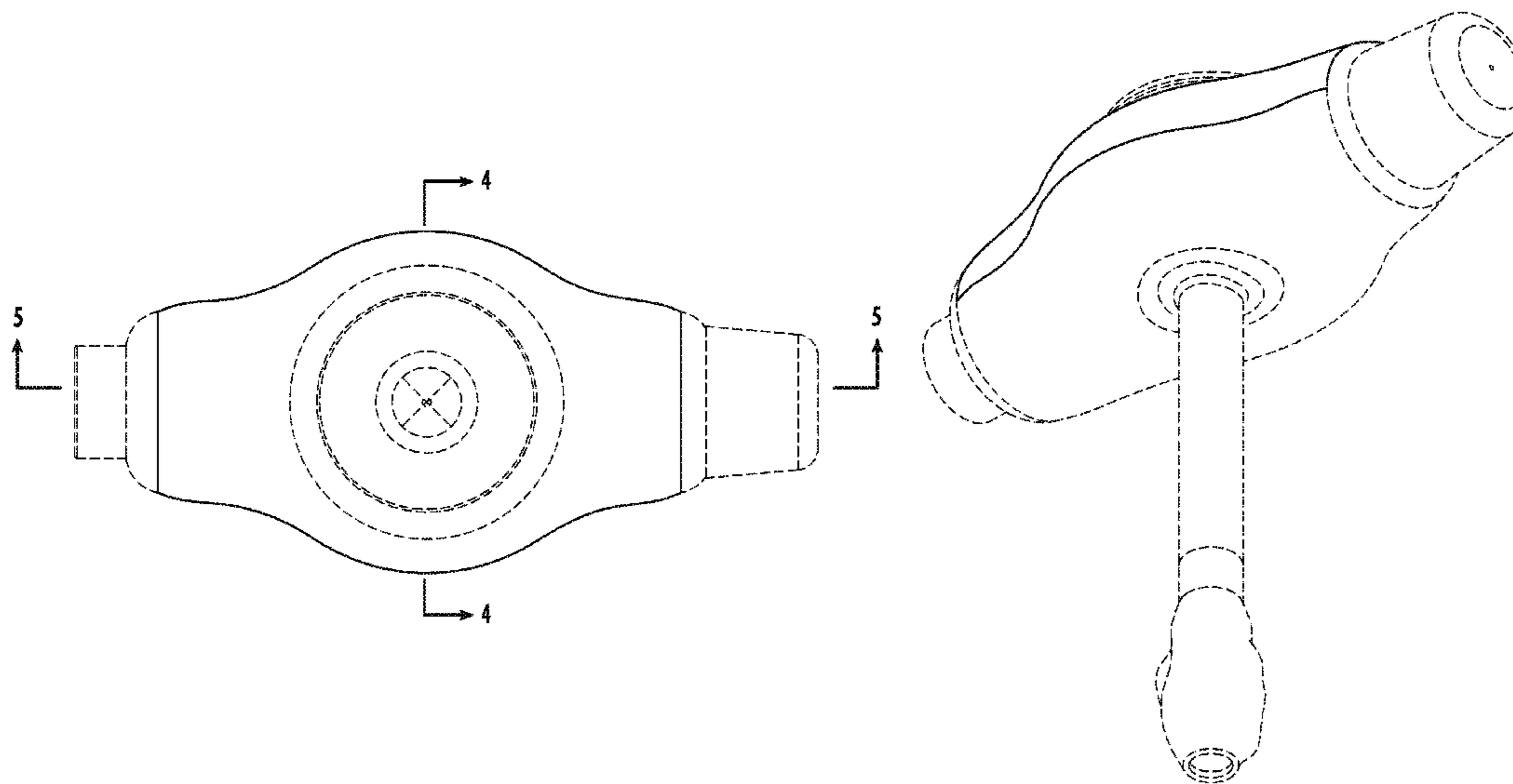
The broken lines shown in FIGS. 1-5 are for purposes of illustrating portions of the base for an enteral feeding device and form no part of the claimed design.

(56) **References Cited**

U.S. PATENT DOCUMENTS

D33,216 S * 9/1900 Van Pelt D24/118
D36,397 S * 6/1903 Menges D24/118
D189,389 S 11/1960 McGiveran et al.
3,826,262 A * 7/1974 Blackwood 604/339
3,915,171 A 10/1975 Shermeta
3,970,085 A * 7/1976 Mersan 604/339

1 Claim, 4 Drawing Sheets



(56)

References Cited

U.S. PATENT DOCUMENTS

D311,954 S * 11/1990 Kamen D24/121
 5,092,847 A 3/1992 Pozzo
 5,242,389 A 9/1993 Schrader et al.
 D345,418 S * 3/1994 Fenton D24/129
 5,312,381 A * 5/1994 Brooks 604/338
 5,342,321 A 8/1994 Potter
 5,484,420 A 1/1996 Russo
 5,846,221 A 12/1998 Snoke et al.
 5,997,503 A 12/1999 Willis et al.
 5,997,546 A 12/1999 Foster et al.
 6,464,686 B1 10/2002 O'Hara et al.
 6,767,340 B2 * 7/2004 Willis et al. 604/256
 6,908,449 B2 * 6/2005 Willis et al. 604/96.01
 7,070,587 B2 7/2006 Meier et al.
 D589,143 S 3/2009 Mauch
 D634,844 S * 3/2011 Bast et al. D24/145
 D646,387 S * 10/2011 Bast et al. D24/133
 D648,433 S * 11/2011 Bast et al. D24/133
 D654,589 S * 2/2012 Bast et al. D24/133

D657,056 S 4/2012 Burgess et al.
 8,177,742 B1 5/2012 Bagwell et al.
 D669,578 S 10/2012 Burgess et al.
 D679,393 S 4/2013 Griffith et al.
 2006/0052752 A1 3/2006 McMichael
 2010/0100074 A1 4/2010 Smith et al.
 2010/0185159 A1 7/2010 Bagwell et al.
 2011/0152762 A1 6/2011 Hershey et al.
 2012/0029481 A1 2/2012 Pech et al.
 2012/0029483 A1 2/2012 Griffith et al.
 2012/0197192 A1 8/2012 Bagwell et al.

OTHER PUBLICATIONS

Mini ONE™ Non-Balloon Button, available from Applied Medical Technology, Inc., of Brecksville, Ohio, 2010, 8 pages.
 Passport® Low Profile Gastrostomy Device, Internet web page “<http://www.cookmedical.com/esc/dataSheet.do?id=5691>”, available from Cook Medical, Inc., of Bloomington, Indiana, viewed and printed Nov. 13, 2012, 1 page.

* cited by examiner

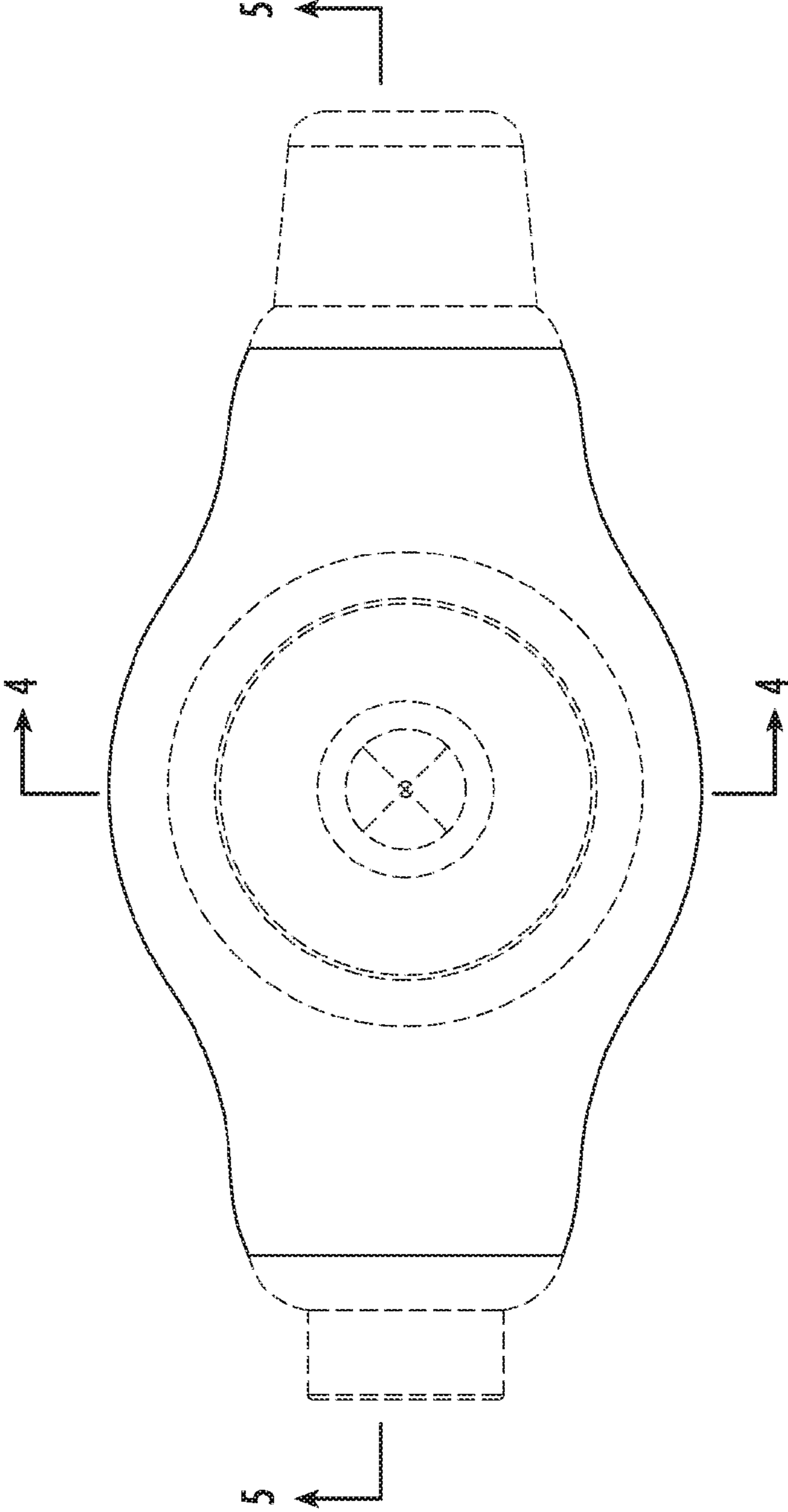


FIG. 7

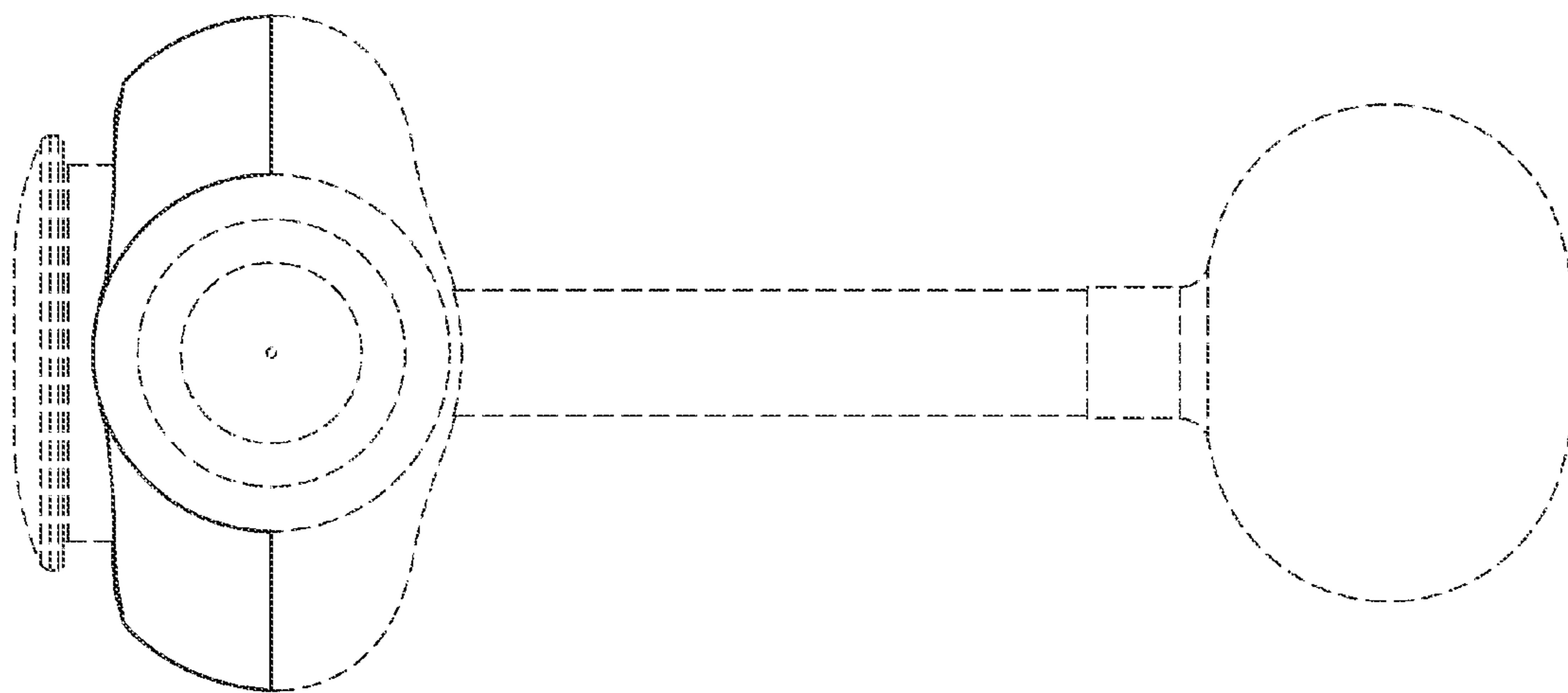


FIG. 2

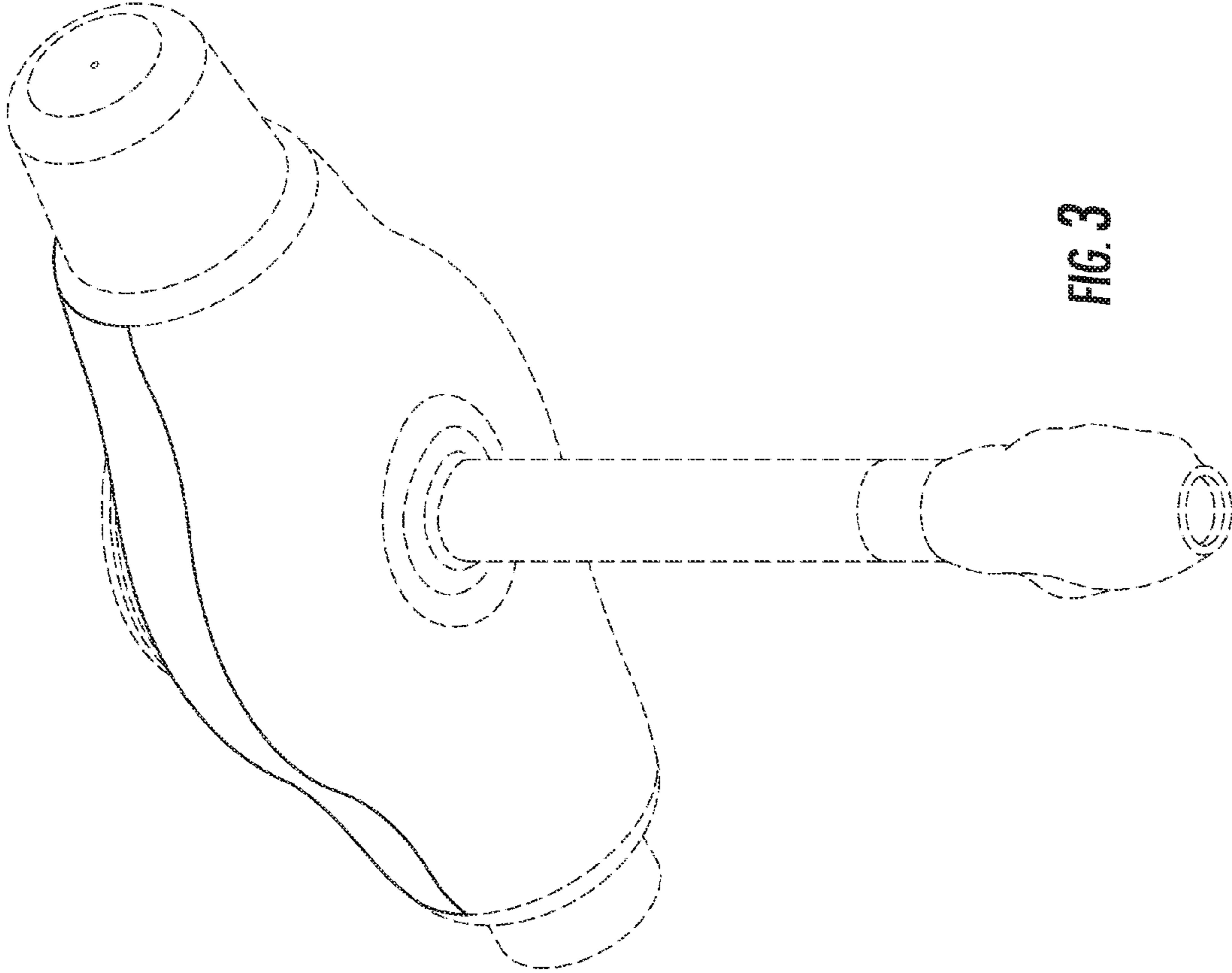


FIG. 3

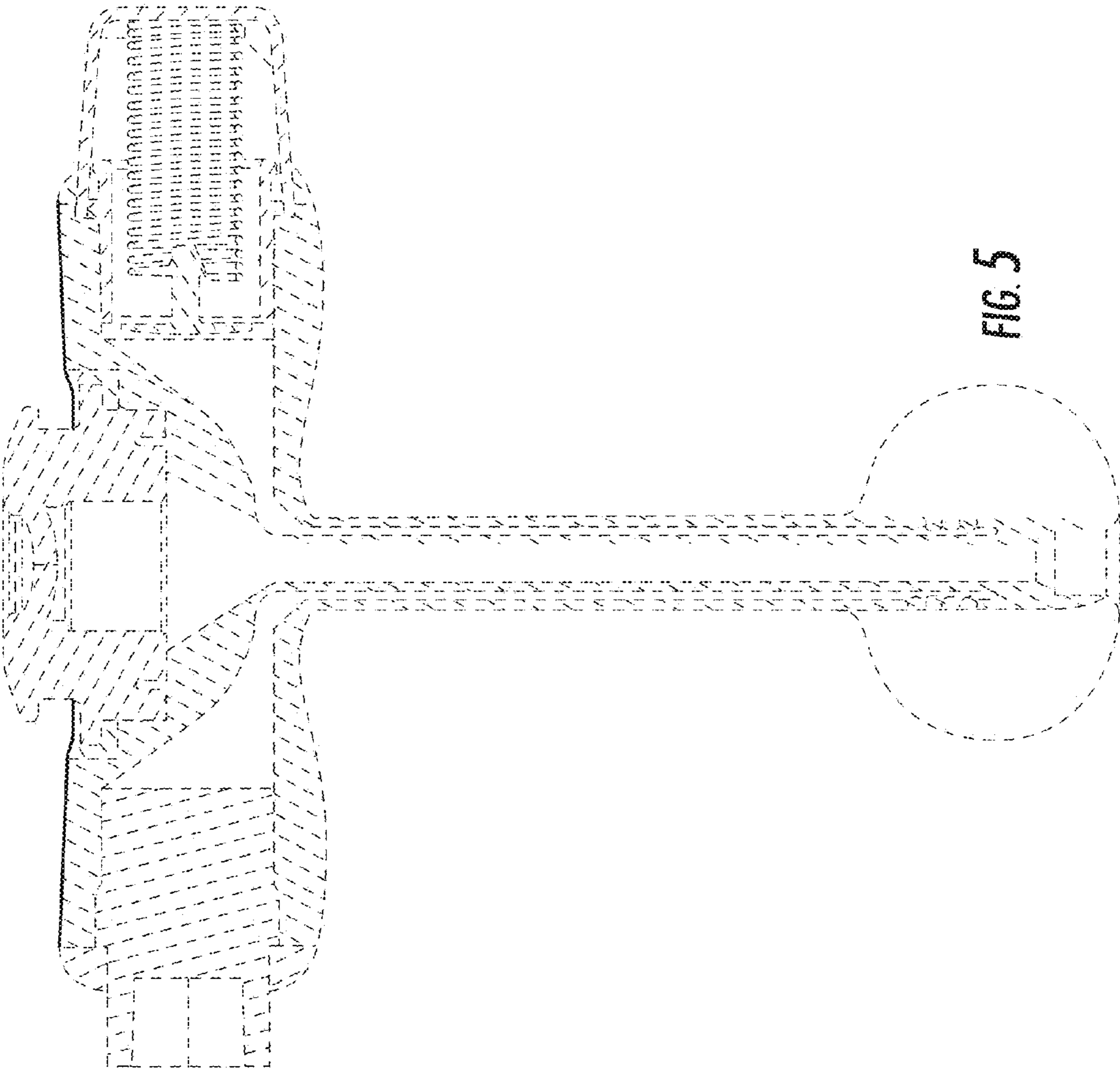


FIG. 4

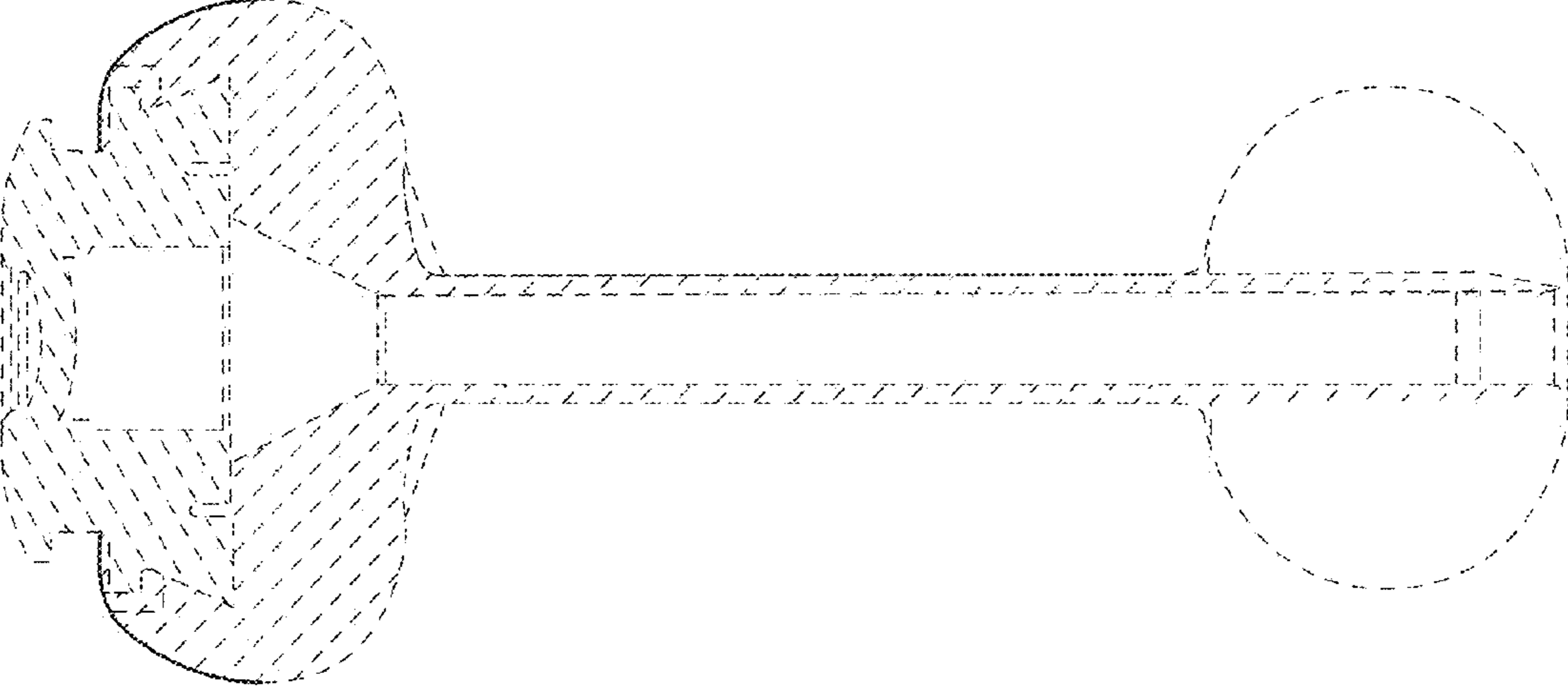


FIG. 5