



US00D751190S

(12) **United States Design Patent**  
**Ueda et al.**

(10) **Patent No.:** **US D751,190 S**  
(45) **Date of Patent:** **\*\* Mar. 8, 2016**

(54) **INFUSION BAG**

(71) Applicant: **NIPRO CORPORATION**, Osaka-shi,  
Osaka (JP)

(72) Inventors: **Osao Ueda**, Osaka (JP); **Toshio Ishiki**,  
Osaka (JP); **Tadashi Takano**, Osaka  
(JP); **Masayuki Uenishi**, Osaka (JP);  
**Hiroyuki Nakagami**, Osaka (JP); **Yuta**  
**Sato**, Osaka (JP)

(73) Assignee: **NIPRO Corporation**, Osaka (JP)

(\*\*) Term: **14 Years**

(21) Appl. No.: **29/464,591**

(22) Filed: **Aug. 19, 2013**

(30) **Foreign Application Priority Data**

Feb. 20, 2013 (JP) ..... D2013-003465

(51) **LOC (10) Cl.** ..... **24-02**

(52) **U.S. Cl.**  
USPC ..... **D24/118**

(58) **Field of Classification Search**  
USPC ..... D24/118, 127, 108, 128, 111; 604/317,  
604/327, 408, 403, 108, 339, 92, 415, 410,  
604/332, 333; 128/DIG. 24; 383/22, 23, 35;  
D9/707, 709, 696; 206/219; D18/56  
See application file for complete search history.

(56) **References Cited**

**U.S. PATENT DOCUMENTS**

D195,313 S \* 5/1963 Setecka ..... D9/707  
3,331,421 A \* 7/1967 Lambert ..... 383/47  
3,788,374 A \* 1/1974 Saijo ..... 604/408  
D354,129 S \* 1/1995 Salvadori ..... D24/118  
6,241,717 B1 \* 6/2001 Niedospial, Jr. .... 604/408

D447,406 S \* 9/2001 Schalow ..... D9/696  
D508,128 S \* 8/2005 Kubalak et al. .... D24/118  
7,202,341 B2 \* 4/2007 McGinnis et al. .... 530/385  
D550,568 S \* 9/2007 Lau et al. .... D9/707  
D620,810 S \* 8/2010 Ehmer et al. .... D9/709  
D653,751 S \* 2/2012 Ecabert et al. .... D24/118  
D671,841 S \* 12/2012 McClellan et al. .... D9/709  
D687,949 S \* 8/2013 Ueda et al. .... D24/118  
D688,794 S \* 8/2013 Ueda et al. .... D24/118  
8,506,548 B2 \* 8/2013 Okiyama ..... 604/406  
D703,549 S \* 4/2014 Murray ..... D9/707  
D707,134 S \* 6/2014 Simpson et al. .... D9/709  
D709,773 S \* 7/2014 Murray ..... D9/702  
D711,749 S \* 8/2014 Kim et al. .... D9/724  
D714,658 S \* 10/2014 Bielawski et al. .... D9/709  
2005/0059952 A1 \* 3/2005 Giuliano et al. .... 604/408  
2006/0189957 A1 \* 8/2006 Howlett ..... 604/403  
2007/0257047 A1 \* 11/2007 Fukuizumi et al. .... 220/694  
2007/0282296 A1 \* 12/2007 Matsuda et al. .... 604/408  
2010/0185171 A1 \* 7/2010 Muramatsu et al. .... 604/410

\* cited by examiner

*Primary Examiner* — David Muller

*Assistant Examiner* — Nathan Johnston

(74) *Attorney, Agent, or Firm* — Birch, Stewart, Kolasch &  
Birch, LLP

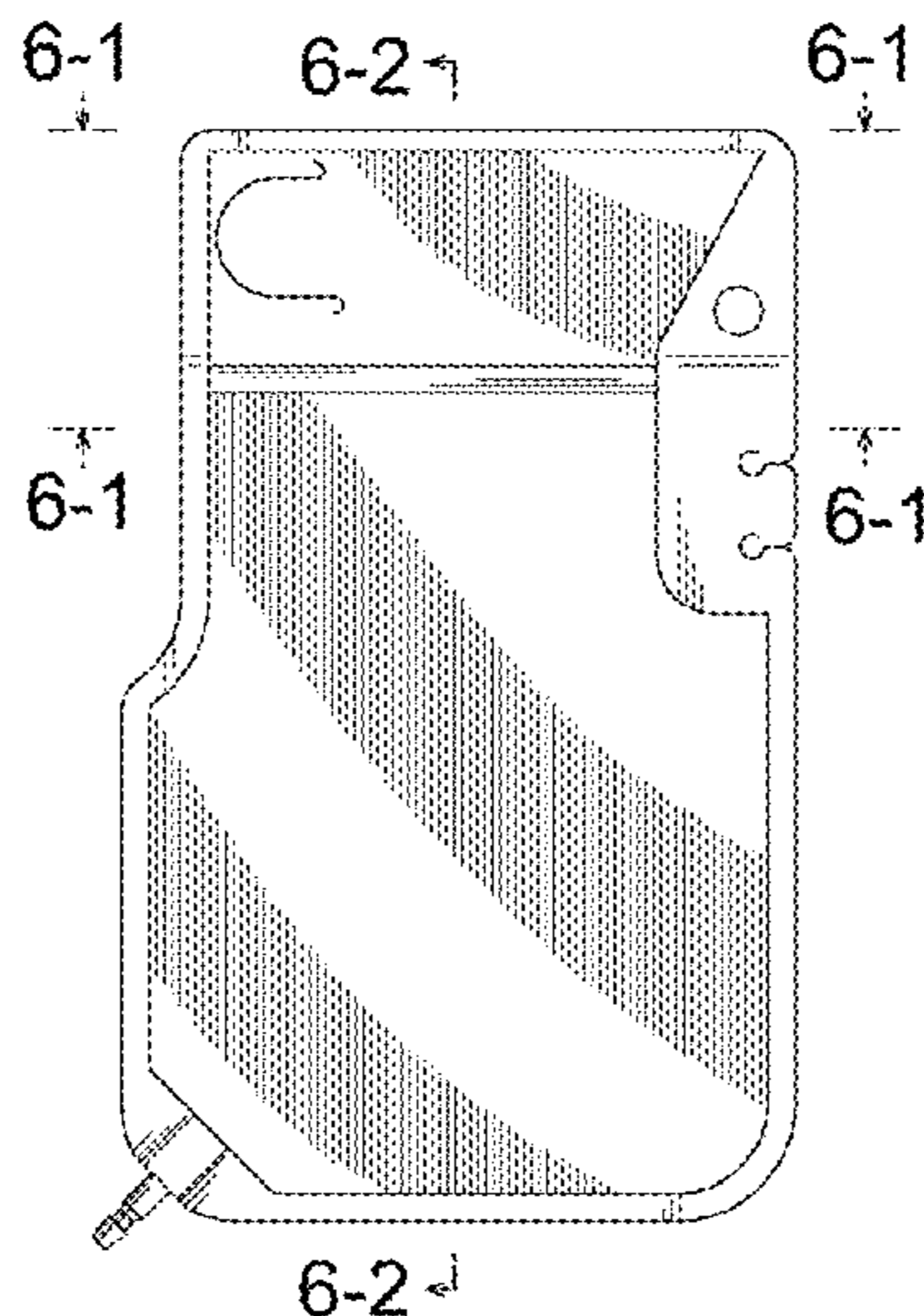
(57) **CLAIM**

The ornamental design for an infusion bag, as shown and  
described.

**DESCRIPTION**

FIG. 1 is a front view of an infusion bag, the opposite side  
being a mirror image, of the side shown herein;  
FIG. 2 is a left side view thereof;  
FIG. 3 is a right side view thereof;  
FIG. 4 is a top view thereof;  
FIG. 5 is a bottom view thereof; and,  
FIG. 6 is an enlarged sectional view taken along line 6-2-6-2  
in FIG. 1 between line 6-1-6-1 in FIG. 1.

**1 Claim, 4 Drawing Sheets**



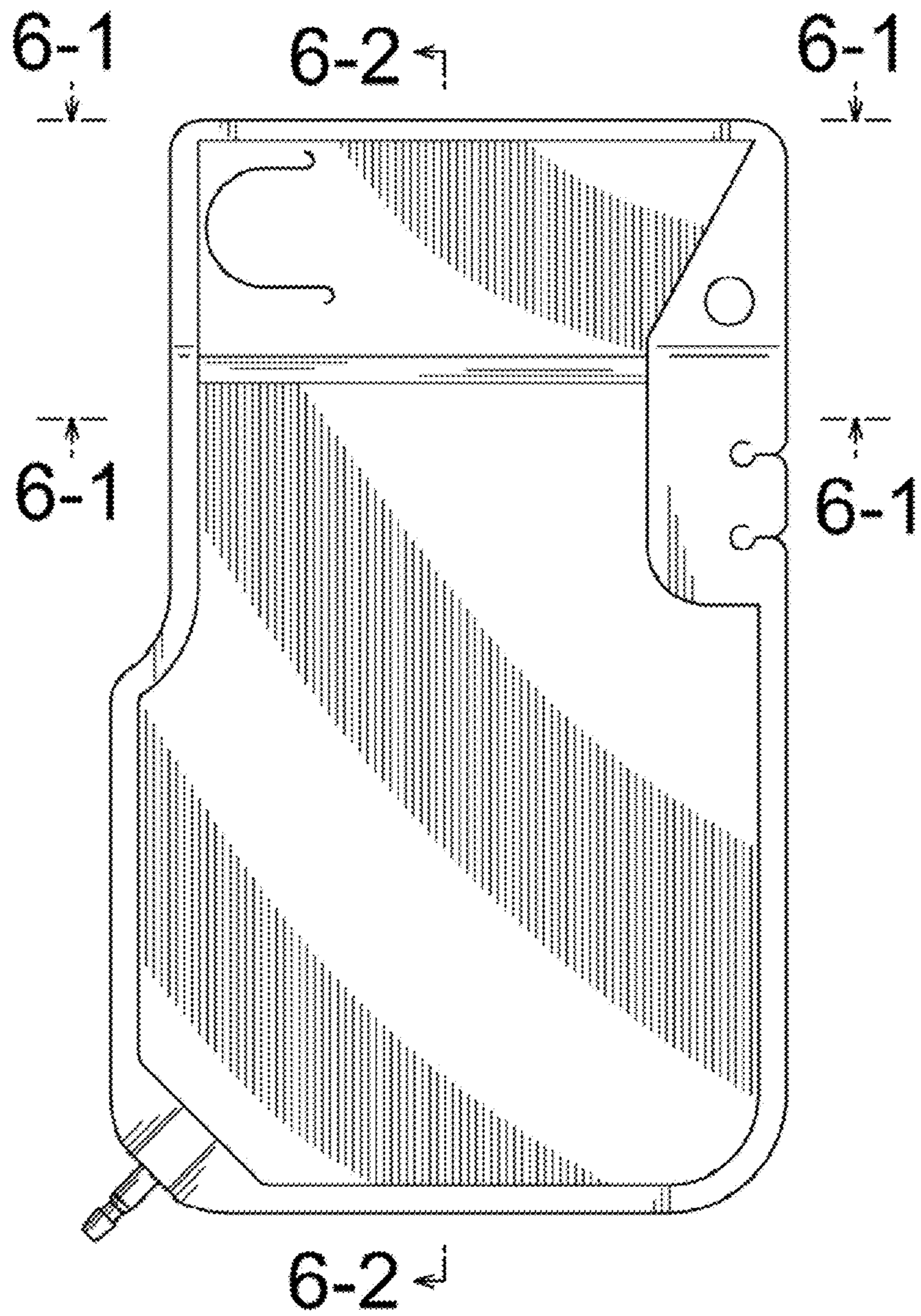


FIG. 1

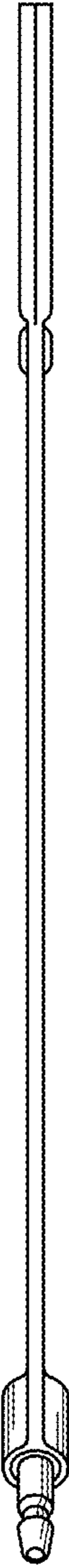


FIG. 2

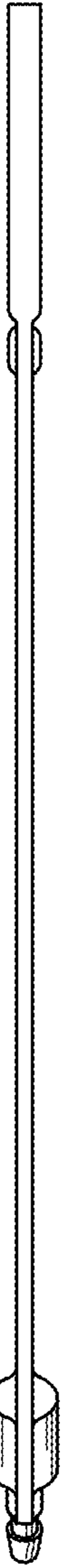


FIG. 3

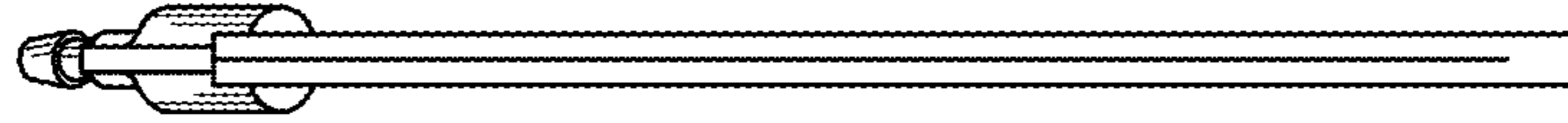


FIG. 4

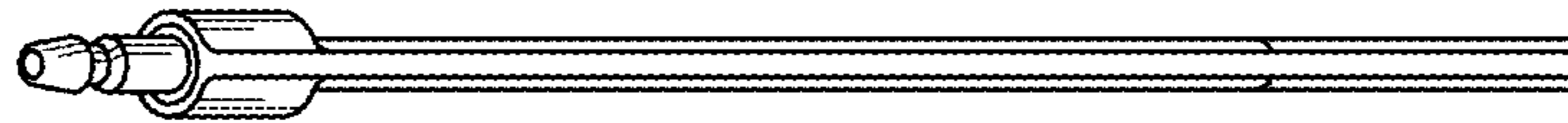


FIG. 5



FIG.6