



US00D751187S

(12) **United States Design Patent**  
**Dolan**

(10) **Patent No.:** **US D751,187 S**  
(45) **Date of Patent:** **\*\* Mar. 8, 2016**

(54) **CEILING FAN WITH LIGHT**

(71) Applicant: **Patrick S. Dolan**, Portland, OR (US)

(72) Inventor: **Patrick S. Dolan**, Portland, OR (US)

(\*\*) Term: **14 Years**

(21) Appl. No.: **29/474,334**

(22) Filed: **Aug. 11, 2014**

(51) **LOC (10) Cl.** ..... **23-04**

(52) **U.S. Cl.**

USPC ..... **D23/411**; D23/377; D26/59

(58) **Field of Classification Search**

USPC ..... D23/377, 370-376, 378-394, 411-414,  
D23/499; 416/5, 62, 170 R, 214 R, 184, 206,  
416/207, 210 R, 220 R, 241 R, 244 R, 248,  
416/223 R, 232, 234, 242; 417/423.1;  
392/364; D26/51, 59, 72, 88, 113, 118

CPC ..... F04D 25/088; F04D 29/00; F04D 29/005;  
F04D 29/34; F04D 29/40; F21V 33/00;  
F21V 33/0088; F21V 33/0096; F21V 1/00

See application file for complete search history.

(56) **References Cited**

**U.S. PATENT DOCUMENTS**

4,494,055	A *	1/1985	Bitting	.....	H02P 6/003 318/400.09
D297,974	S *	10/1988	Sonneman	.....	D23/377
D310,561	S *	9/1990	Janicz	.....	D23/377
D314,618	S *	2/1991	Yen	.....	D23/377
D328,491	S *	8/1992	Markwardt	.....	D23/377
D328,785	S *	8/1992	Markwardt	.....	D23/377
D333,867	S *	3/1993	Markwardt	.....	D23/377
D344,129	S *	2/1994	Markwardt	.....	D23/377
D357,978	S *	5/1995	Young	.....	D23/377
D358,898	S *	5/1995	Compton	.....	D26/67
D391,658	S *	3/1998	Compton	.....	D26/68
D453,216	S *	1/2002	Gajewski	.....	D23/377

D478,974	S *	8/2003	Hidalgo	.....	D23/377
D480,465	S *	10/2003	Wilson	.....	D23/377
D503,489	S *	3/2005	Yurich	.....	D26/85
D506,565	S *	6/2005	Yurich	.....	D26/85
D609,799	S *	2/2010	Lee	.....	D23/377
D627,874	S *	11/2010	Pan	.....	D23/411
D628,688	S *	12/2010	Pan	.....	D23/377
D632,381	S *	2/2011	Davenport	.....	D23/377
D706,970	S *	6/2014	Wang	.....	D26/59
D707,336	S *	6/2014	Pan	.....	D23/377
8,740,423	B1 *	6/2014	Jackson	.....	F21V 33/00 362/253
D708,315	S *	7/2014	Wang	.....	D23/377
D715,917	S *	10/2014	Hidalgo	.....	D23/377

**OTHER PUBLICATIONS**

Possini Euro Design. amazon.com [online PDF] pp. 1 and 4 of 6. May 9th 2014. [retrieved on Aug. 13, 2015]. Retrieved from Internet: <[http://www.amazon.com/Possini-Euro-Design-Admiralty-Brushed/dp/B00E8G4VTI/ref=pd\\_sim\\_sbs\\_60\\_3?ie=UTF8&refRID=05PBV8FXBVWBJA9PRX0X](http://www.amazon.com/Possini-Euro-Design-Admiralty-Brushed/dp/B00E8G4VTI/ref=pd_sim_sbs_60_3?ie=UTF8&refRID=05PBV8FXBVWBJA9PRX0X)>.\*

(Continued)

*Primary Examiner* — Susan Bennett Hattan

*Assistant Examiner* — Marie Fast Horse

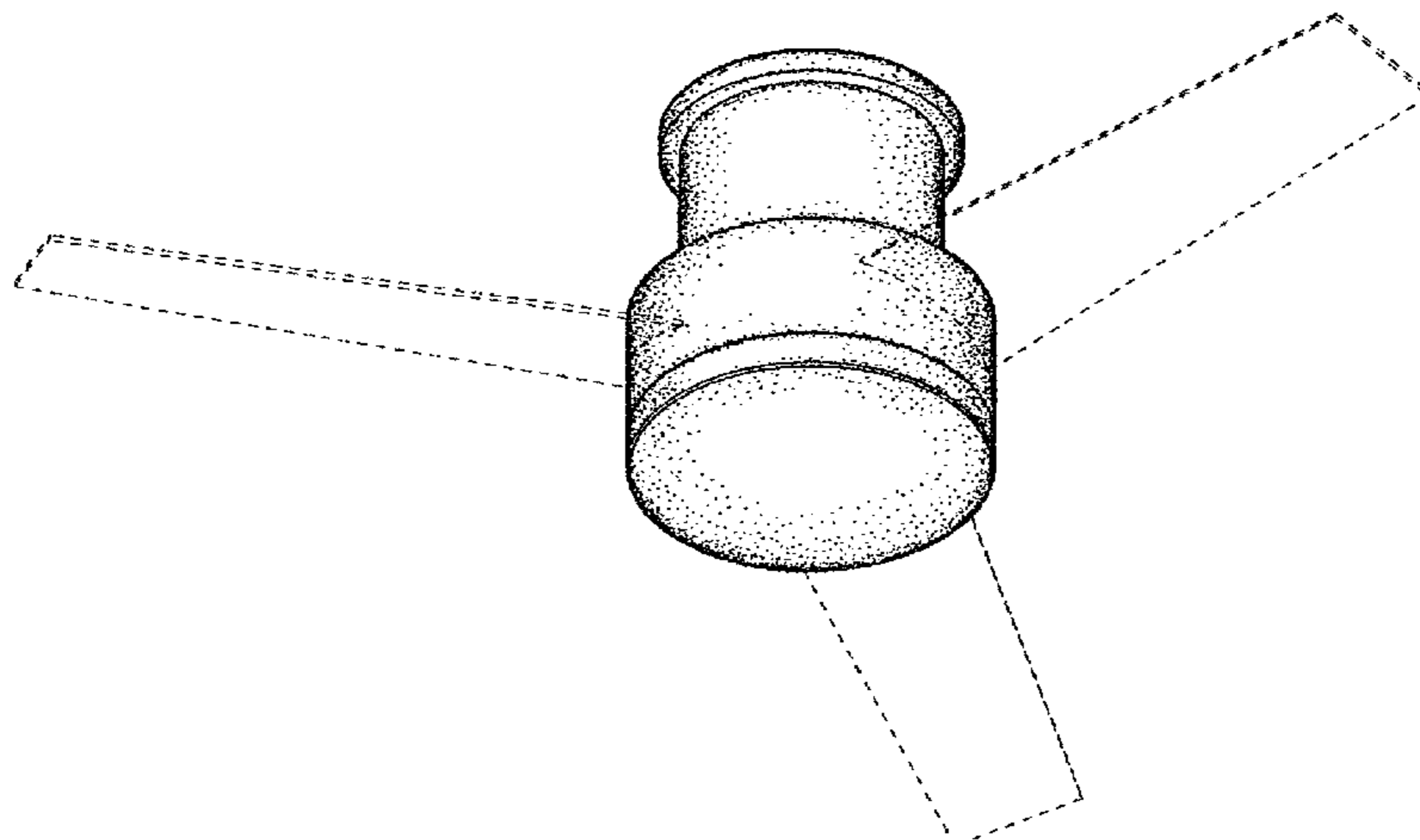
(57) **CLAIM**

The ornamental design for a ceiling fan with light, as shown and described.

**DESCRIPTION**

FIG. 1 is a perspective view thereof;  
FIG. 2 is a front elevational view thereof;  
FIG. 3 is a right side view, the left side view thereof being a mirror image;  
FIG. 4 is a top plan view thereof; and,  
FIG. 5 is a bottom plan view thereof.  
The broken lines in the drawings depict parts of the ceiling fan with light that form no part of the claimed design.

**1 Claim, 5 Drawing Sheets**



(56)

**References Cited**

OTHER PUBLICATIONS

Fanimation Zonix owners manual 2008. atgstores.com(online PDF)  
14 pgs. Copyright 2008 [retrieved on Oct. 9, 2015]. Retrieved from  
Internet: <<http://images.atgstores.com/pdf/209/zonix-om.pdf>>.\*

[www.lumens.com](http://www.lumens.com). Modern Fan Co. "LAPA".

[www.lumens.com](http://www.lumens.com) Modern Fan Co. "LAPA" with Light.

[www.eurostylelighting.com](http://www.eurostylelighting.com) Casablanca Model "EU4D712".

[www.minka.com](http://www.minka.com) Minka Model "F531-L-WH".

\* cited by examiner

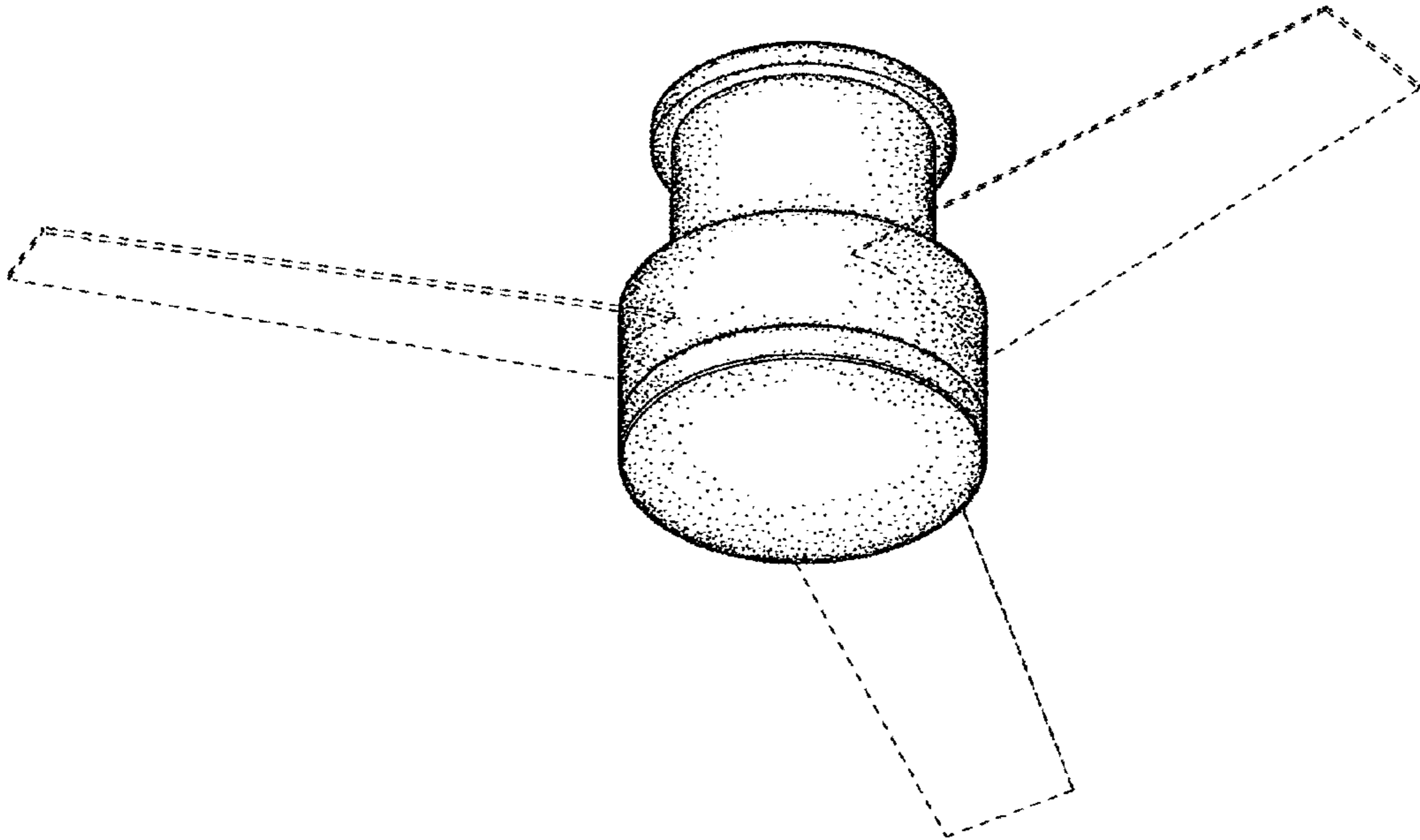


FIG. 1

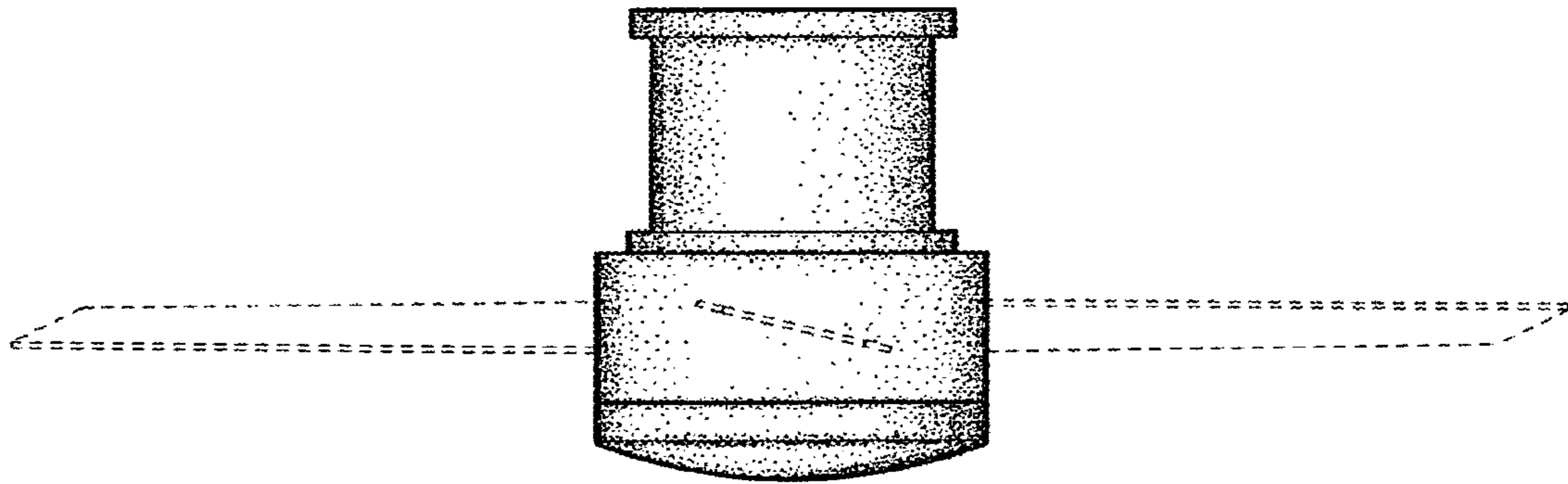


FIG. 2

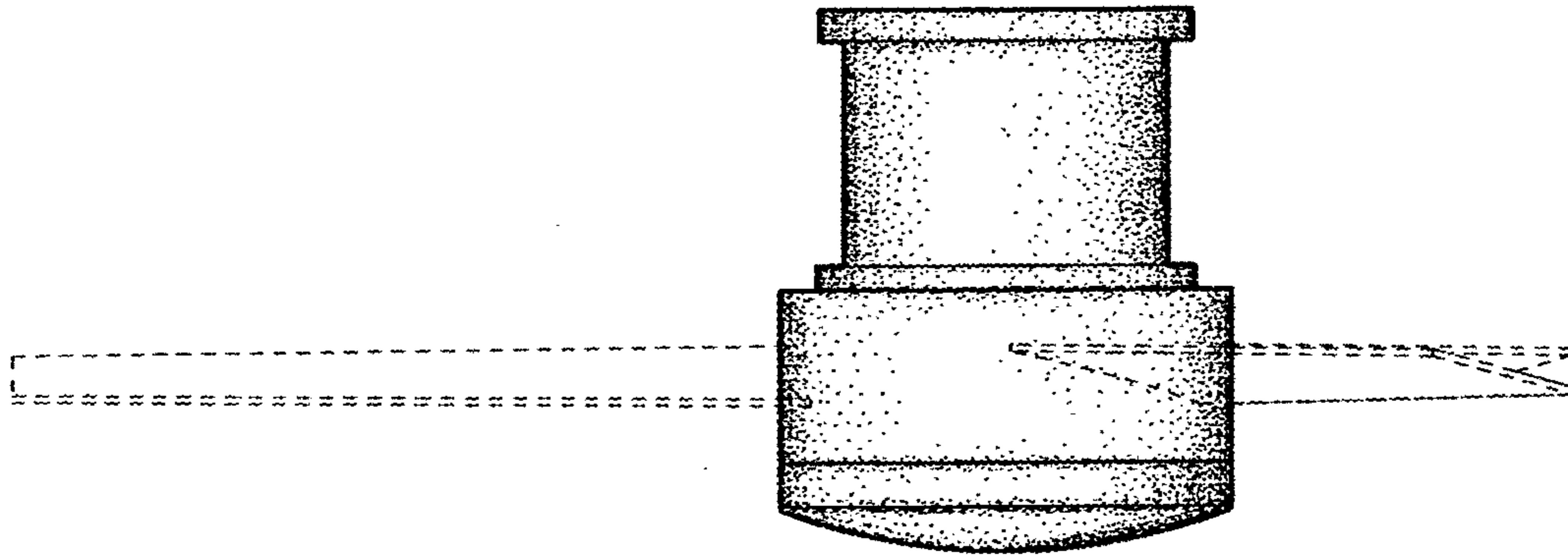


FIG. 3

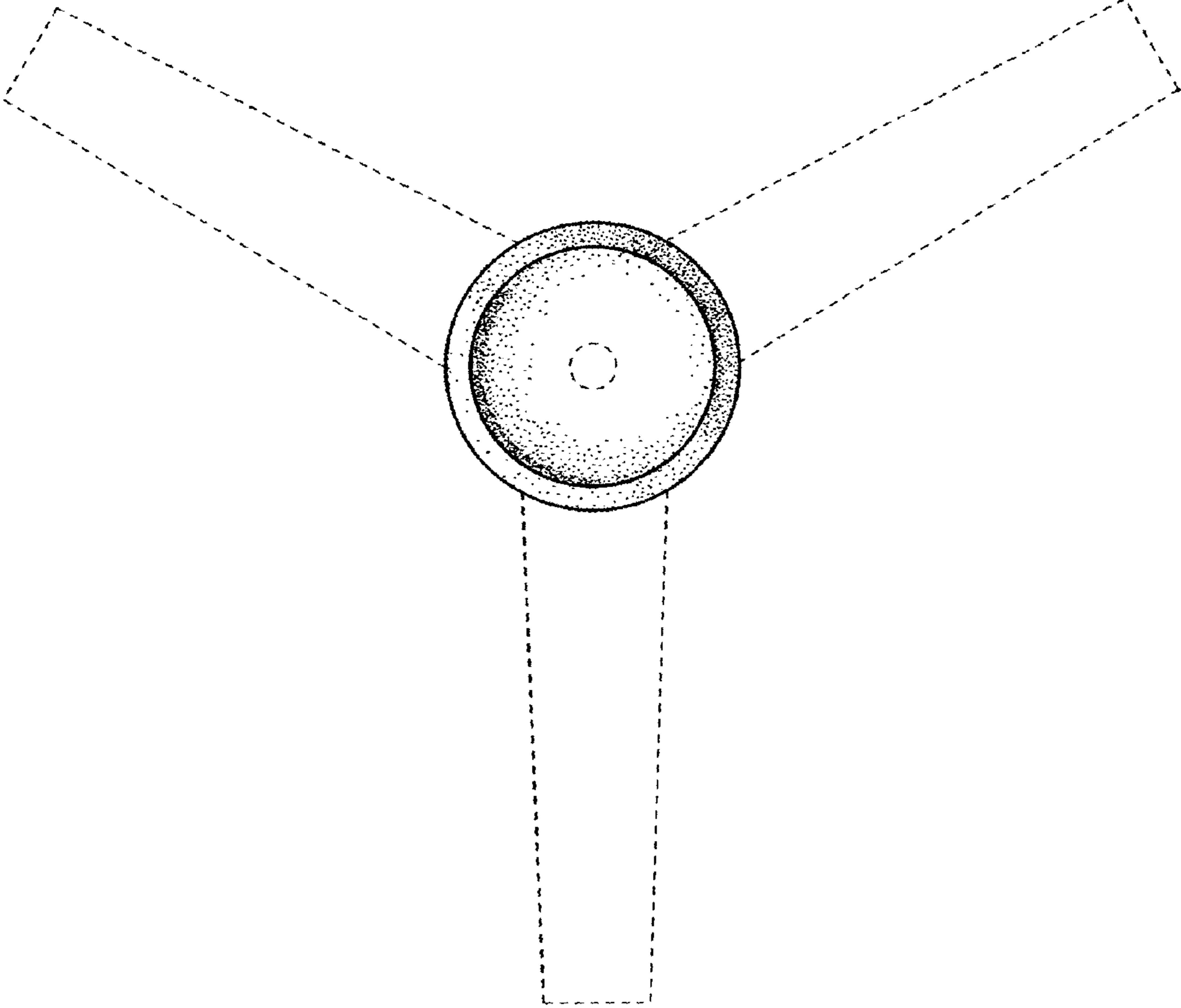


FIG. 4

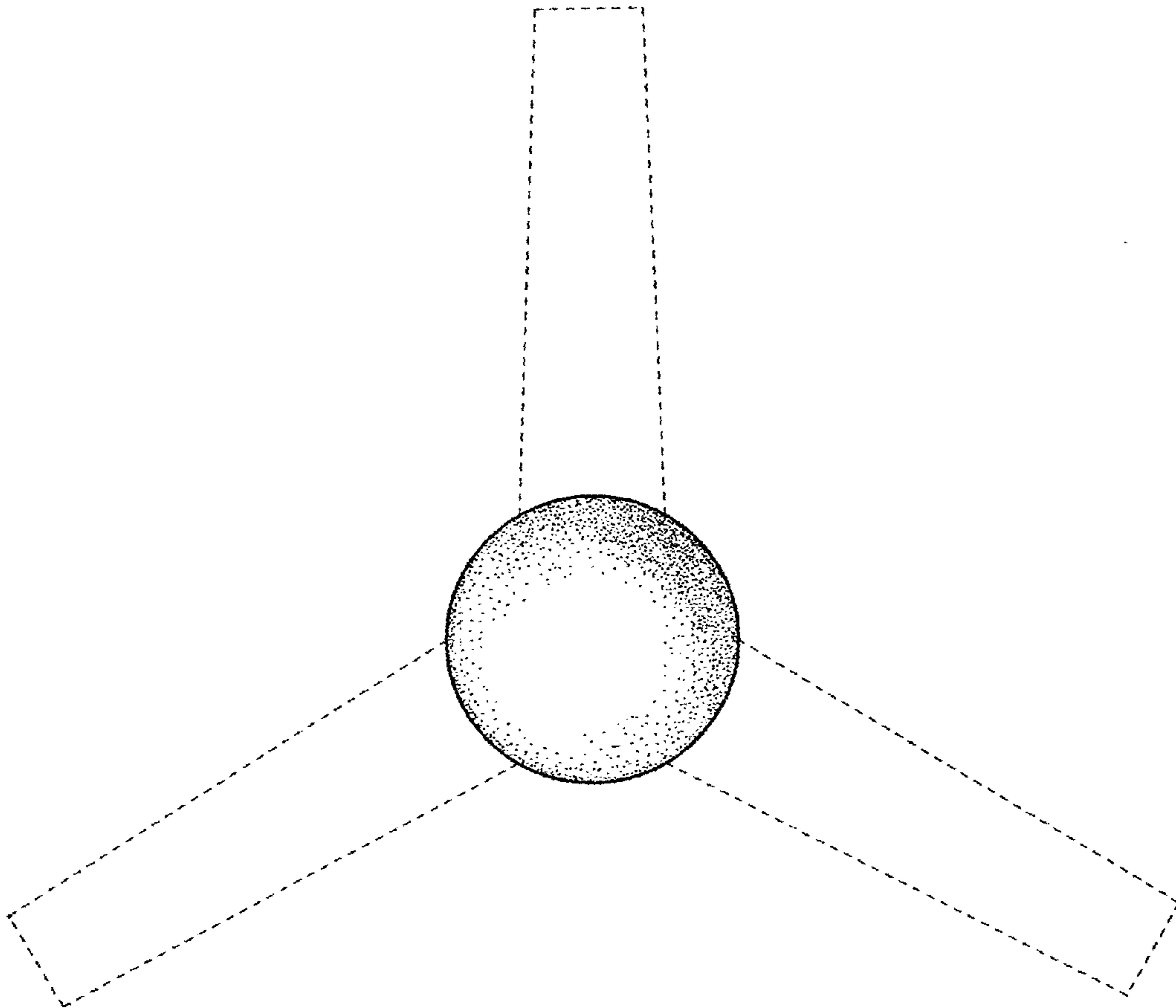


FIG. 5