



US00D751185S

(12) **United States Design Patent**
Harris

(10) **Patent No.:** **US D751,185 S**
(45) **Date of Patent:** **** Mar. 8, 2016**

- (54) **HEATING, VENTILATION AND AIR-CONDITIONING UNIT**
- (71) Applicant: **Fusion HVAC Pty Limited**, West End, Queensland (AU)
- (72) Inventor: **Kevin Harris**, West End (AU)
- (73) Assignee: **Fusion HVAC Pty Limited**, Queensland (AU)
- (**) Term: **14 Years**
- (21) Appl. No.: **29/498,607**
- (22) Filed: **Aug. 5, 2014**
- (30) **Foreign Application Priority Data**

- Feb. 6, 2014 (AU) 105872014
- (51) **LOC (10) Cl.** **23-04**
- (52) **U.S. Cl.**
USPC **D23/386**
- (58) **Field of Classification Search**
USPC D23/385-395, 397, 370-373, 365, 351, D23/354, 399-403, 421, 499; 454/309, 454/275-277, 284, 287-291, 358-363; 52/302.1, 32.07; 285/229, 189, 183, 285/123.1, 15, 114, 110, 424, 197; 165/59; 34/97
CPC F24F 11/0012; F24F 11/0076
See application file for complete search history.

- (56) **References Cited**
U.S. PATENT DOCUMENTS
- | | | | |
|--------------|---------|------------------|---------|
| D207,561 S * | 5/1967 | Bedell | D23/371 |
| D274,462 S * | 6/1984 | Rakocy | D23/365 |
| D281,272 S * | 11/1985 | Lynch, Jr. | D23/364 |
| D337,818 S * | 7/1993 | Rutherford | D23/371 |
| D390,910 S * | 2/1998 | Sundquist | D23/209 |
| D401,306 S * | 11/1998 | Ward | D23/209 |

- | | | | |
|--------------|---------|-----------------|---------|
| D401,687 S * | 11/1998 | Pearce | D23/411 |
| D463,524 S * | 9/2002 | Ellis | D23/209 |
| D470,216 S * | 2/2003 | Gustafson | D23/209 |
| D471,623 S * | 3/2003 | Gieseke | D23/365 |
| D475,129 S * | 5/2003 | Ward | D23/365 |
| D476,725 S * | 7/2003 | Dushek | D23/365 |
| D513,304 S * | 12/2005 | Suzuki | D23/209 |
| D612,925 S * | 3/2010 | Kameyama | D23/393 |
| D621,915 S * | 8/2010 | Fima | D23/261 |
| D637,690 S * | 5/2011 | Riedel | D23/209 |
| D646,350 S * | 10/2011 | Salvador | D23/209 |
| D652,497 S * | 1/2012 | Troxell | D23/365 |
| D658,281 S * | 4/2012 | Goemans | D23/387 |
| D694,871 S * | 12/2013 | Maholick | D23/365 |
| D721,431 S * | 1/2015 | Herbst | D23/382 |

(Continued)

OTHER PUBLICATIONS

Fusion HVAC Pty Limited website, Modular image, Oct. 8, 2015, <http://fusionhvac.com.au/solutions/modular>.*

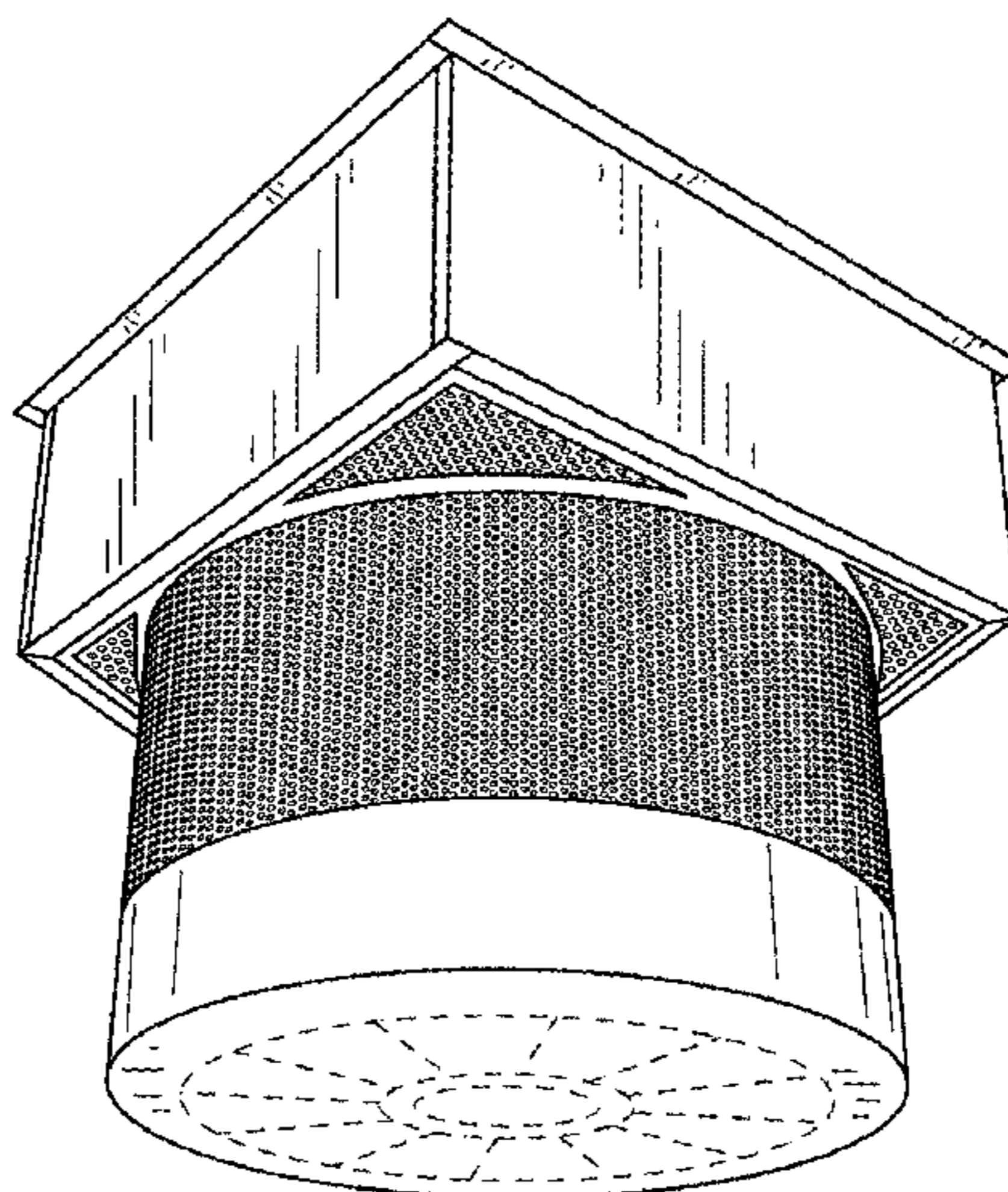
Primary Examiner — David Muller
Assistant Examiner — Nathan Johnston
(74) *Attorney, Agent, or Firm* — Kilpatrick Townsend & Stockton LLP

(57) **CLAIM**
The ornamental design for the heating, ventilation and air-conditioning unit, as shown and described.

DESCRIPTION

FIG. 1 is a front perspective view of the heating, ventilation and air-conditioning unit;
FIG. 2 is a bottom plan view thereof;
FIG. 3 is a front elevation view thereof;
FIG. 4 is a rear elevation view thereof;
FIG. 5 is a right side elevation view thereof;
FIG. 6 is a left side elevation view thereof; and,
FIG. 7 is a top plan view thereof.
The features shown in broken lines depict environmental subject matter only and form no part of the claimed design.

1 Claim, 7 Drawing Sheets



(56)

References Cited

* cited by examiner

U.S. PATENT DOCUMENTS

D724,189 S * 3/2015 Nielson D23/269
D739,513 S * 9/2015 Williams D23/365

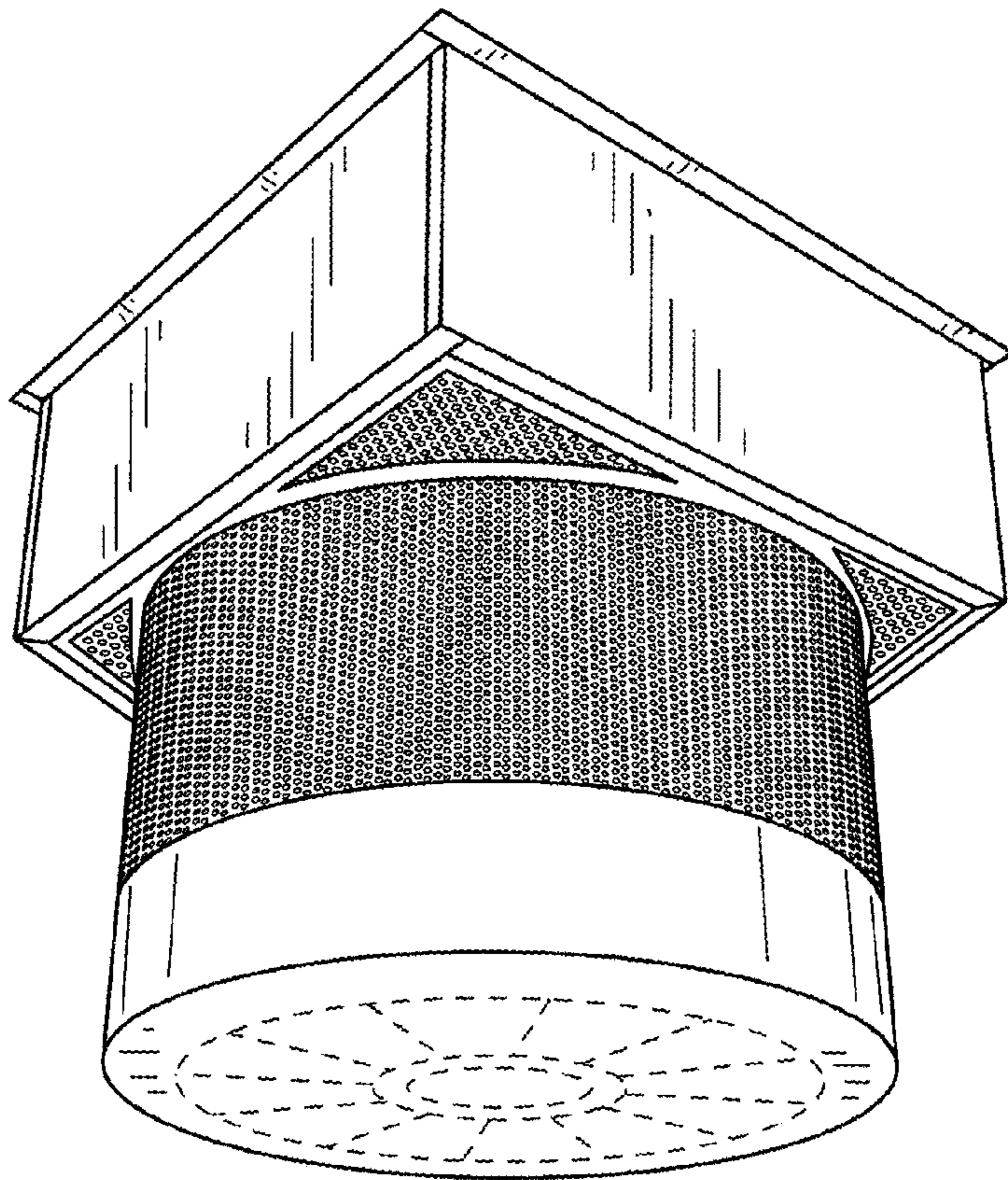


FIG.1

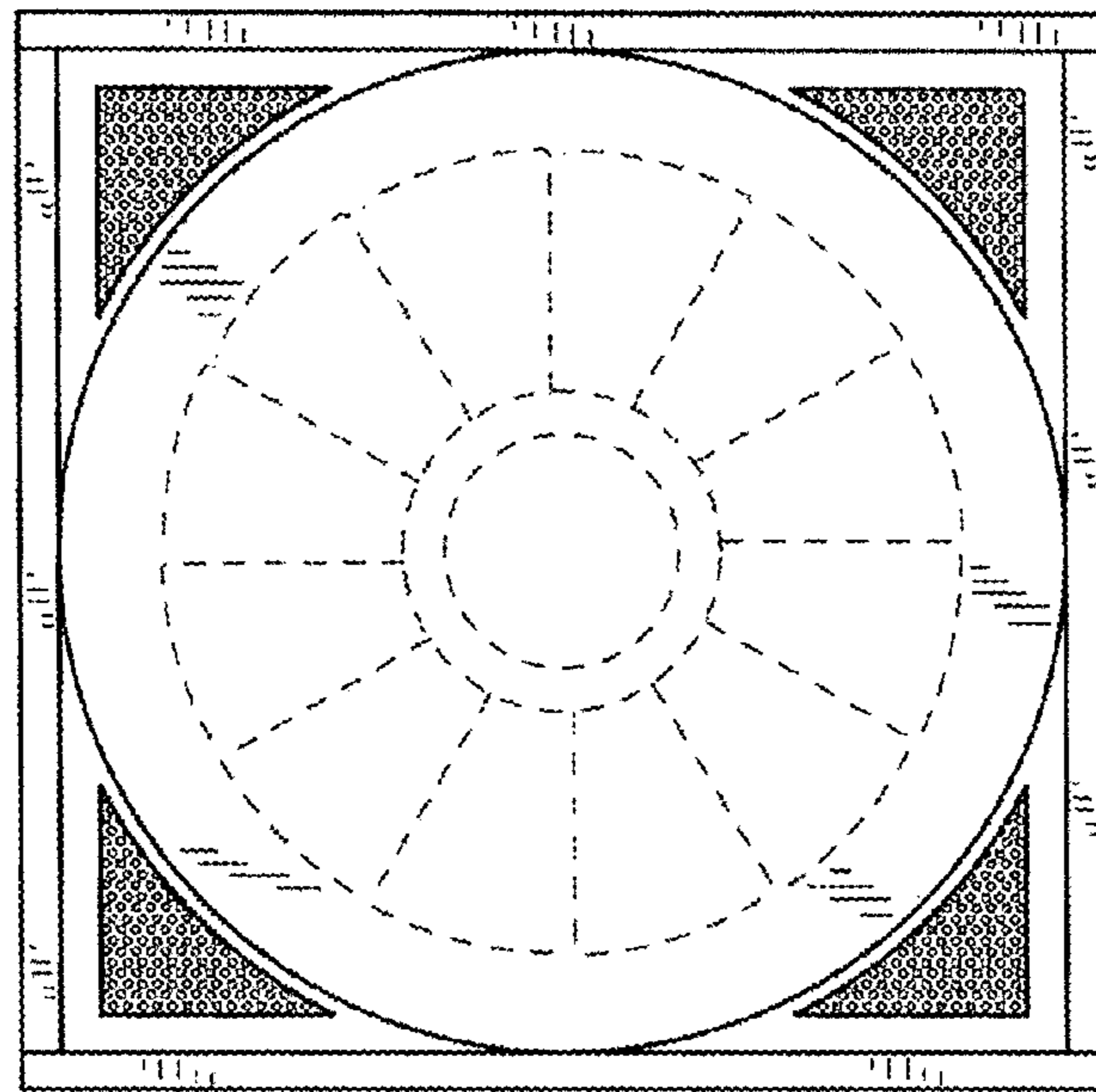


FIG.2

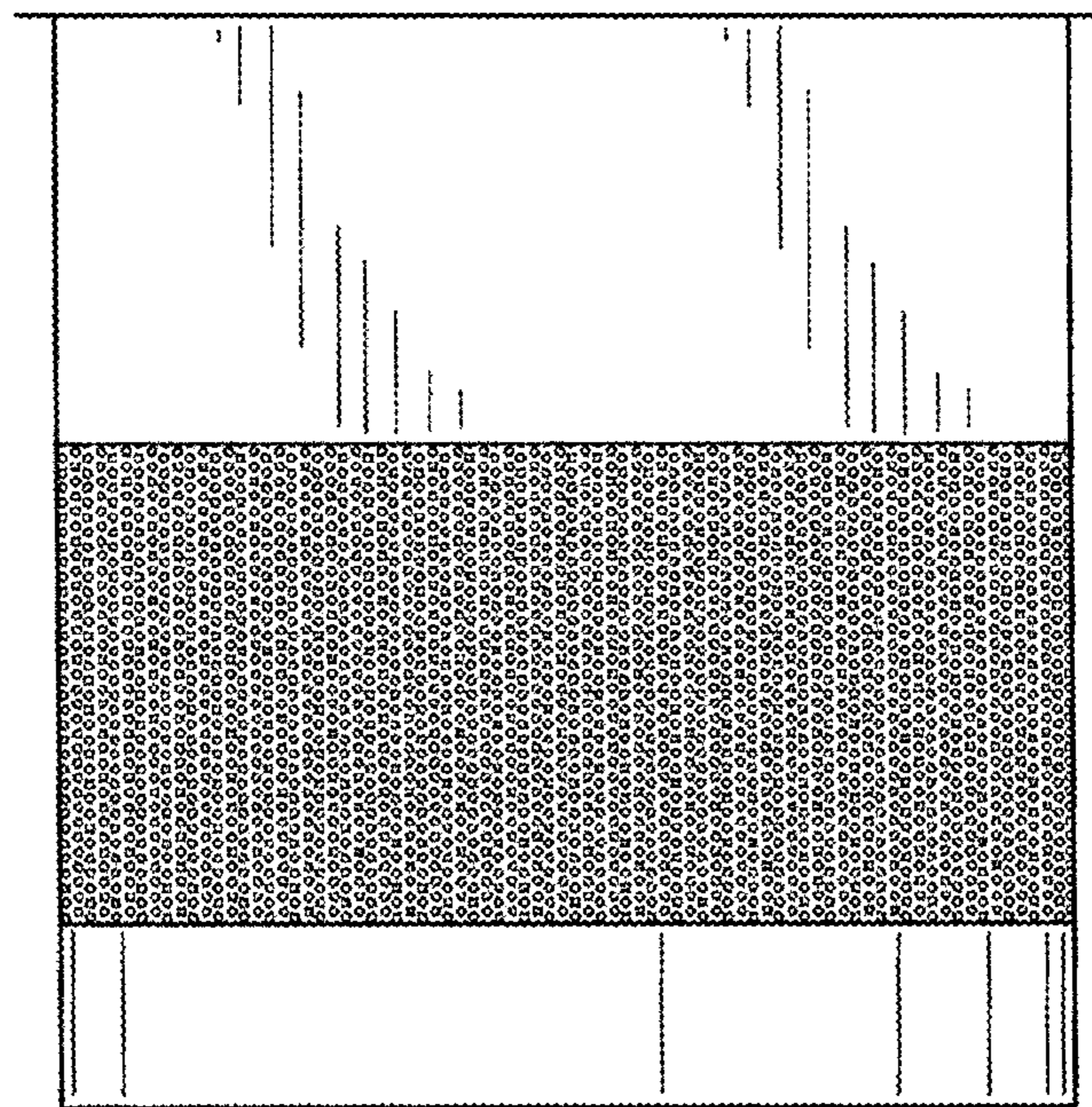


FIG.3

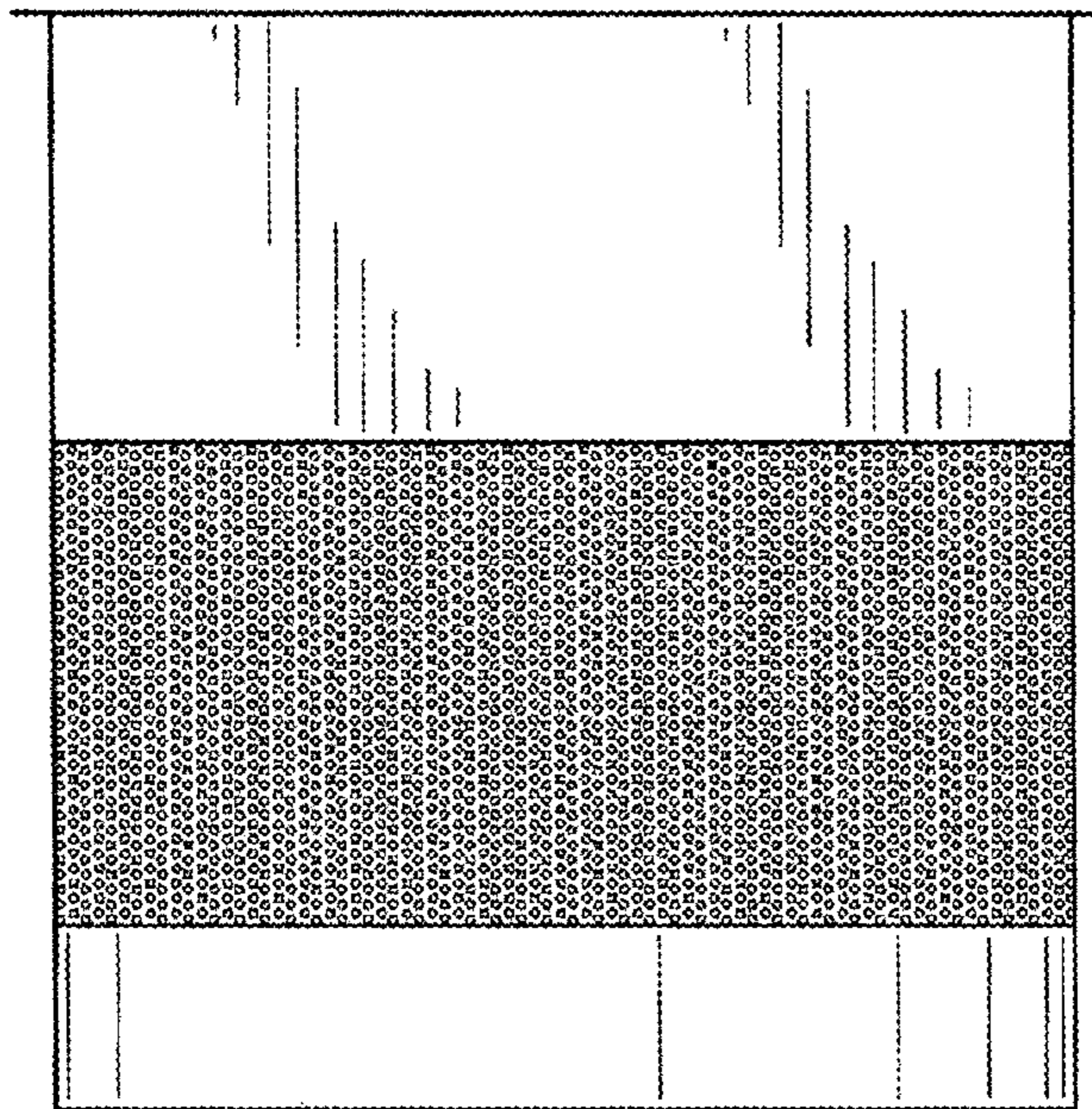


FIG.4

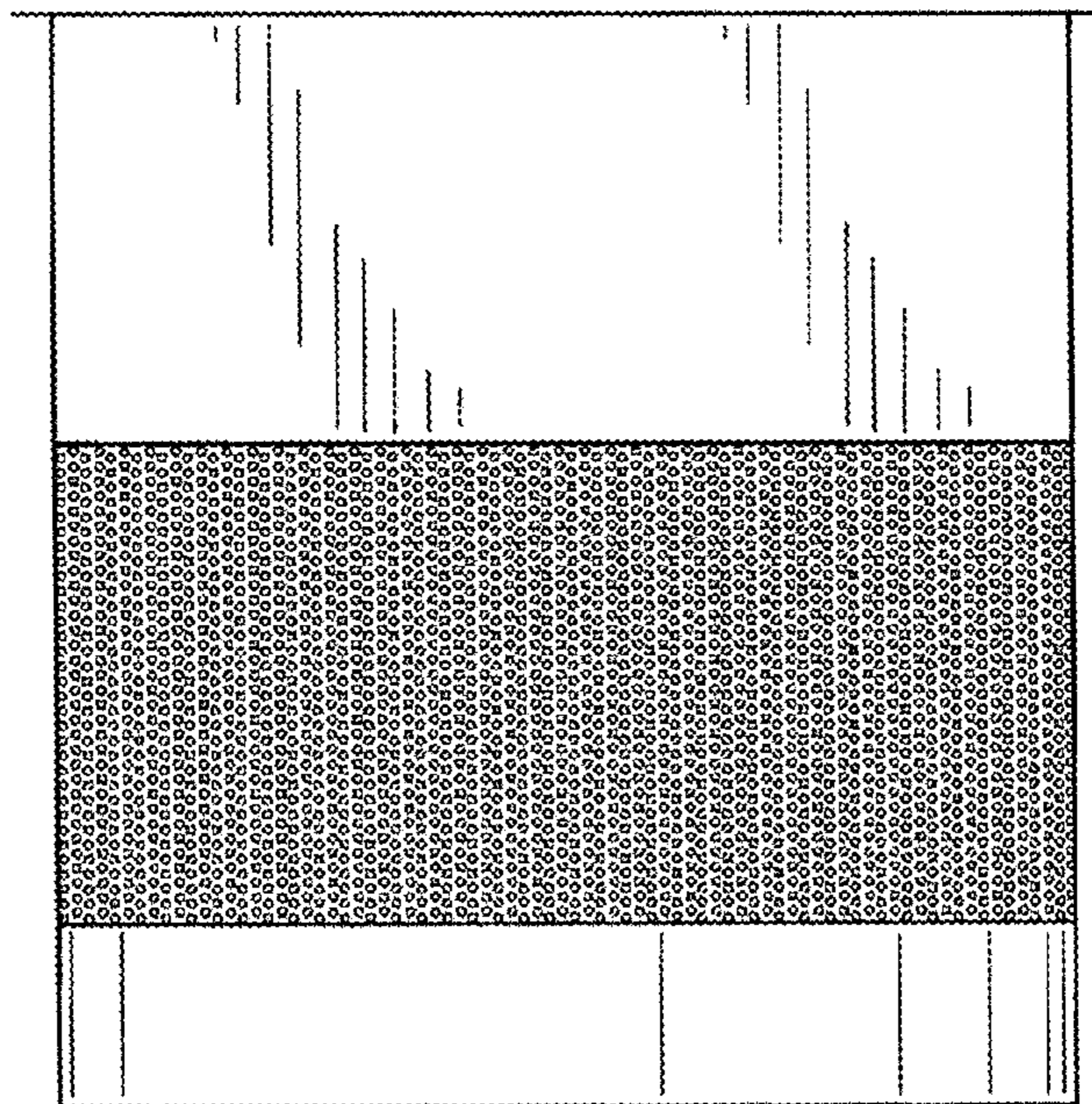


FIG.5

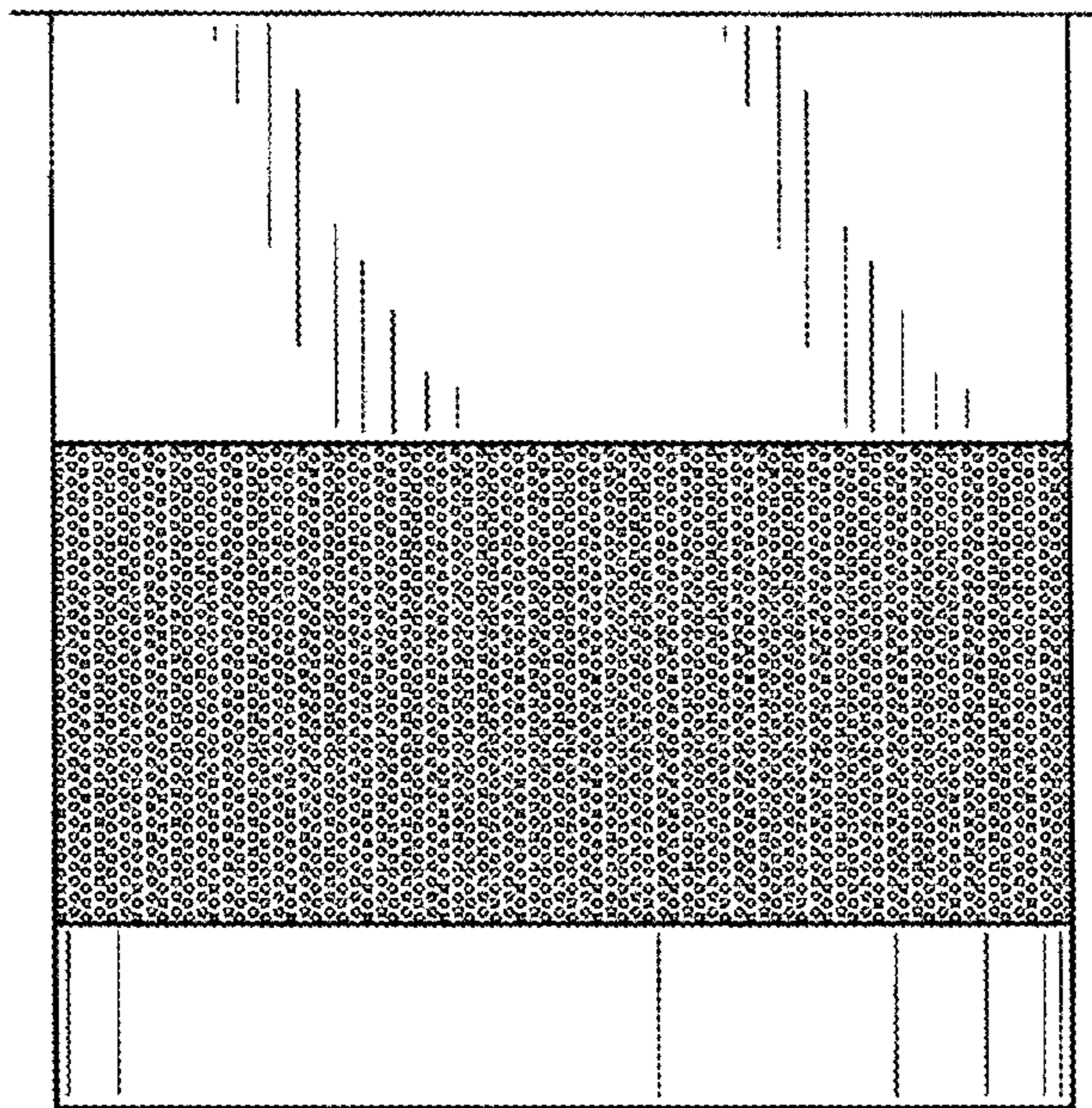


FIG.6

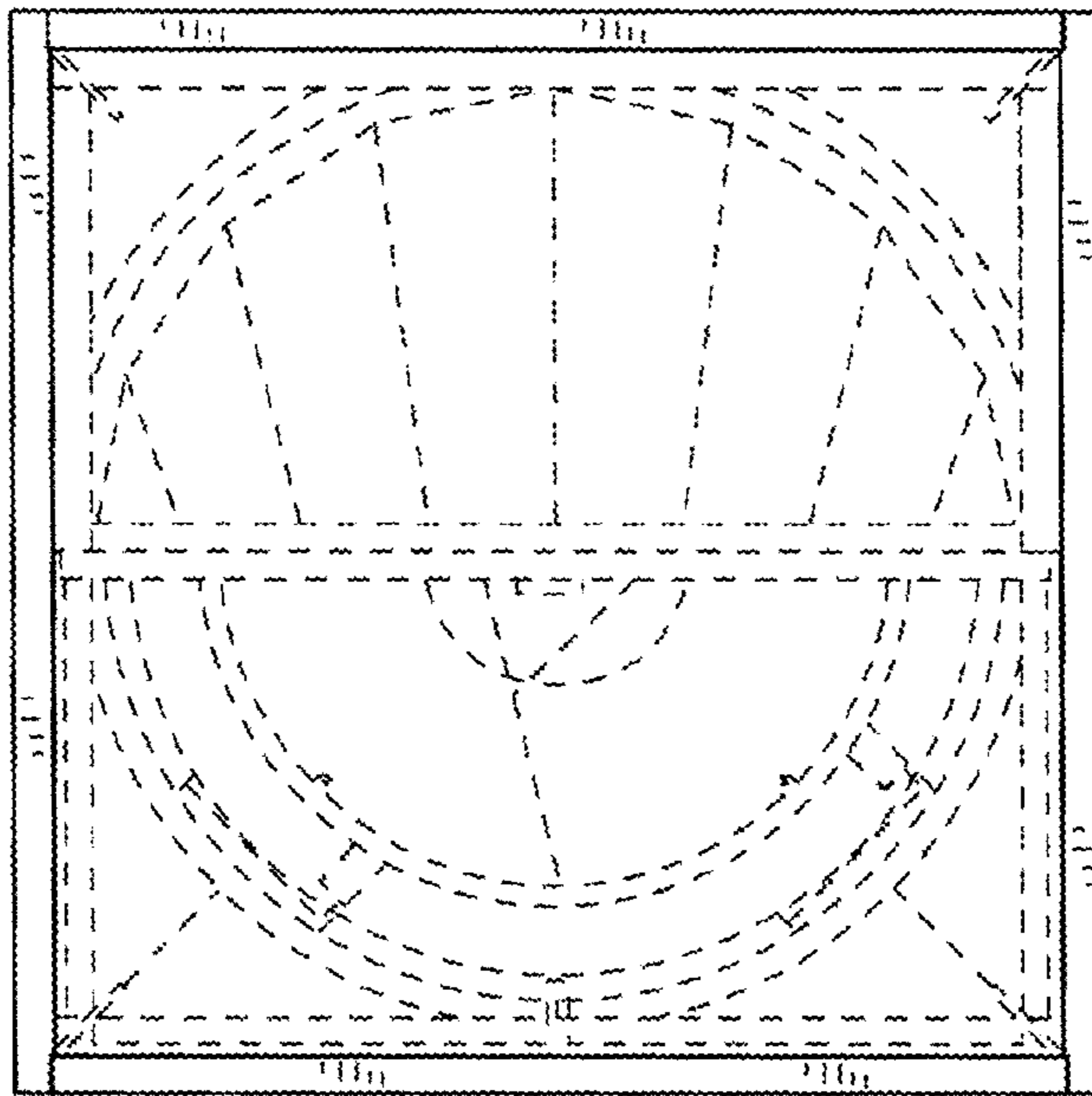


FIG.7