



US00D751183S

(12) **United States Design Patent**
McNinch

(10) **Patent No.:** **US D751,183 S**
(45) **Date of Patent:** **** Mar. 8, 2016**

(54) **TOILET TANK**

(71) Applicant: **Delta Faucet Company**, Indianapolis,
IN (US)

(72) Inventor: **Adriana McNinch**, Westfield, IN (US)

(73) Assignee: **DELTA FAUCET COMPANY**,
Indianapolis, IN (US)

(**) Term: **14 Years**

(21) Appl. No.: **29/514,332**

(22) Filed: **Jan. 12, 2015**

(51) **LOC (10) Cl.** **23-02**

(52) **U.S. Cl.**
USPC **D23/313**

(58) **Field of Classification Search**
USPC D23/295, 301, 303, 309, 313
CPC E03D 1/00; E03D 1/01
See application file for complete search history.

(56) **References Cited**

U.S. PATENT DOCUMENTS

D396,272 S * 7/1998 Garza D23/301
D532,493 S * 11/2006 Bucher D23/301
D641,459 S * 7/2011 Corpuz, Jr. D23/313

* cited by examiner

Primary Examiner — Robert Delehanty

(74) *Attorney, Agent, or Firm* — Edgar A. Zarins; Nirav D. Parikh

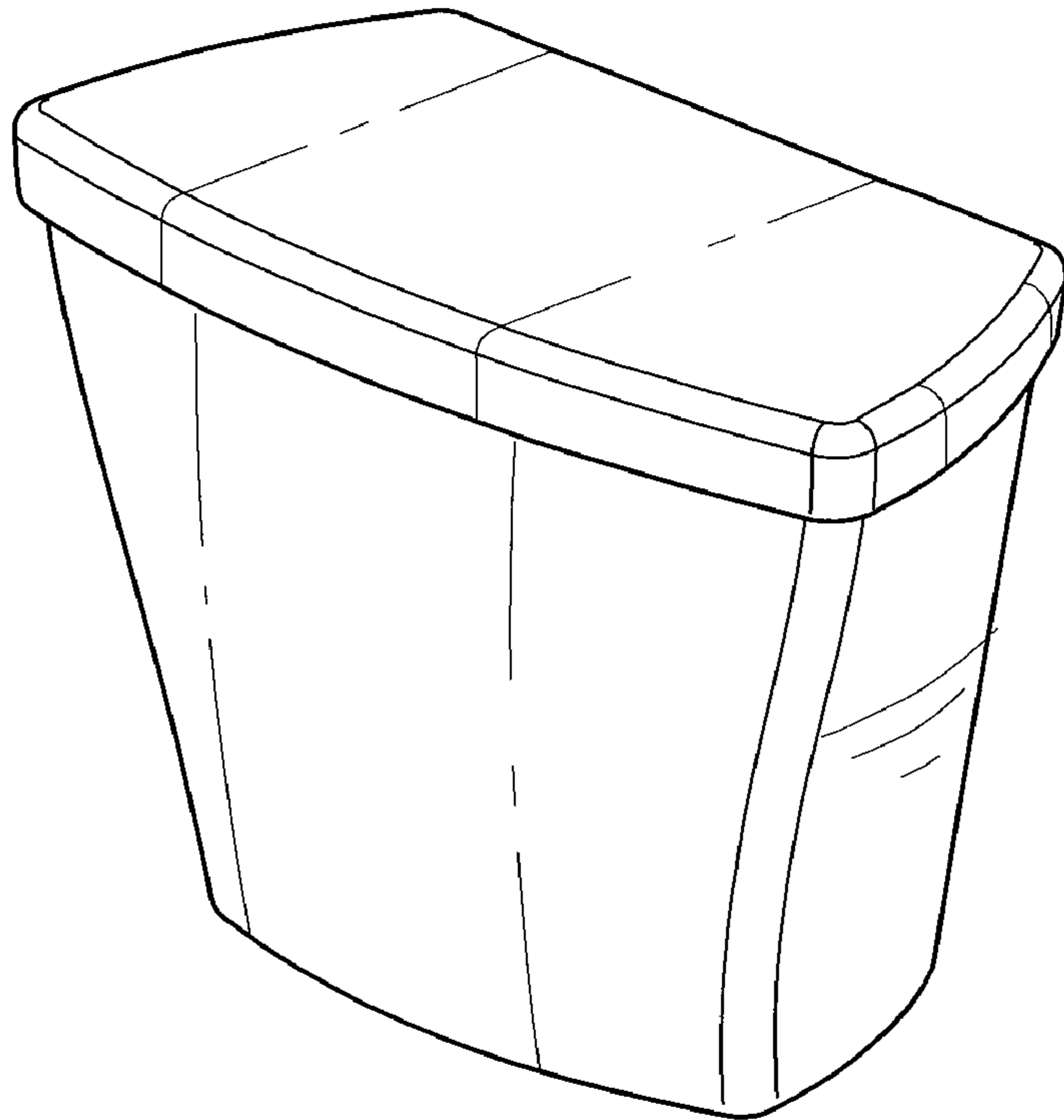
(57) **CLAIM**

The ornamental design for a toilet tank, as shown and described.

DESCRIPTION

FIG. 1 is a perspective view of a toilet tank showing my new design;
FIG. 2 is a front elevational view thereof;
FIG. 3 is a top plan view thereof;
FIG. 4 is a rear view thereof;
FIG. 5 is a right side view thereof, the opposite side being a mirror image of the side shown; and
FIG. 6 is a bottom view thereof.

1 Claim, 2 Drawing Sheets



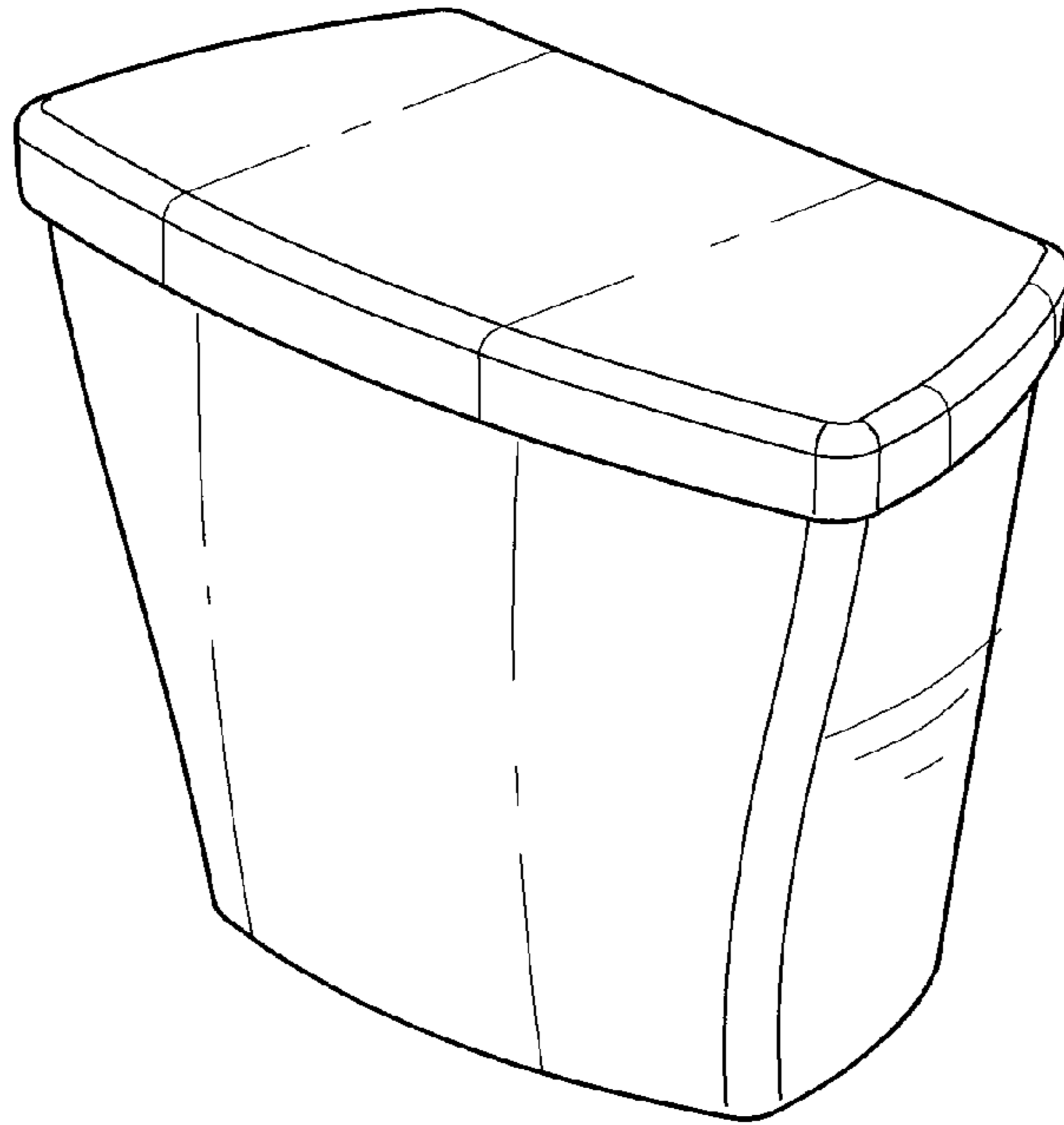


Fig-1

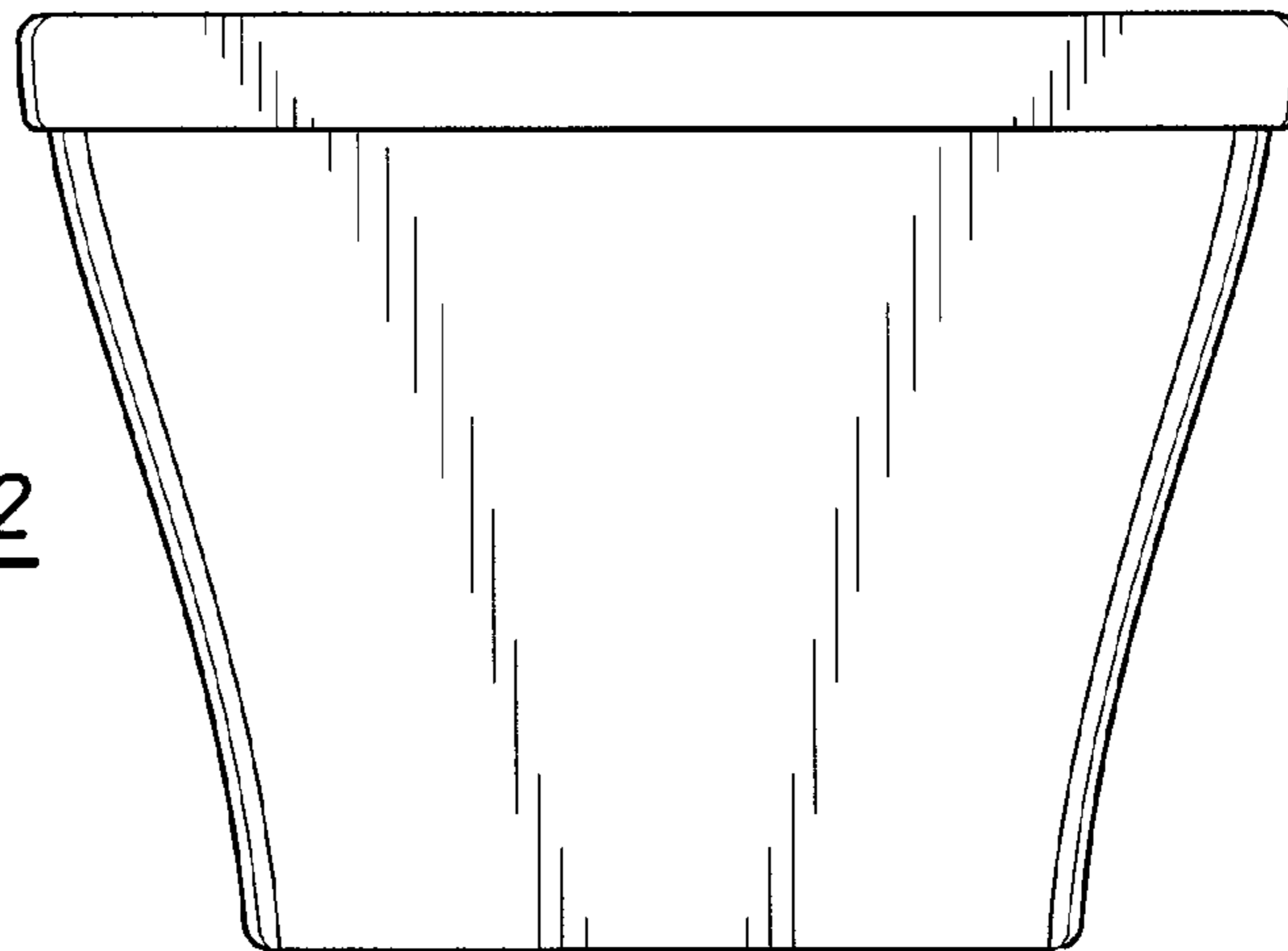


Fig-2

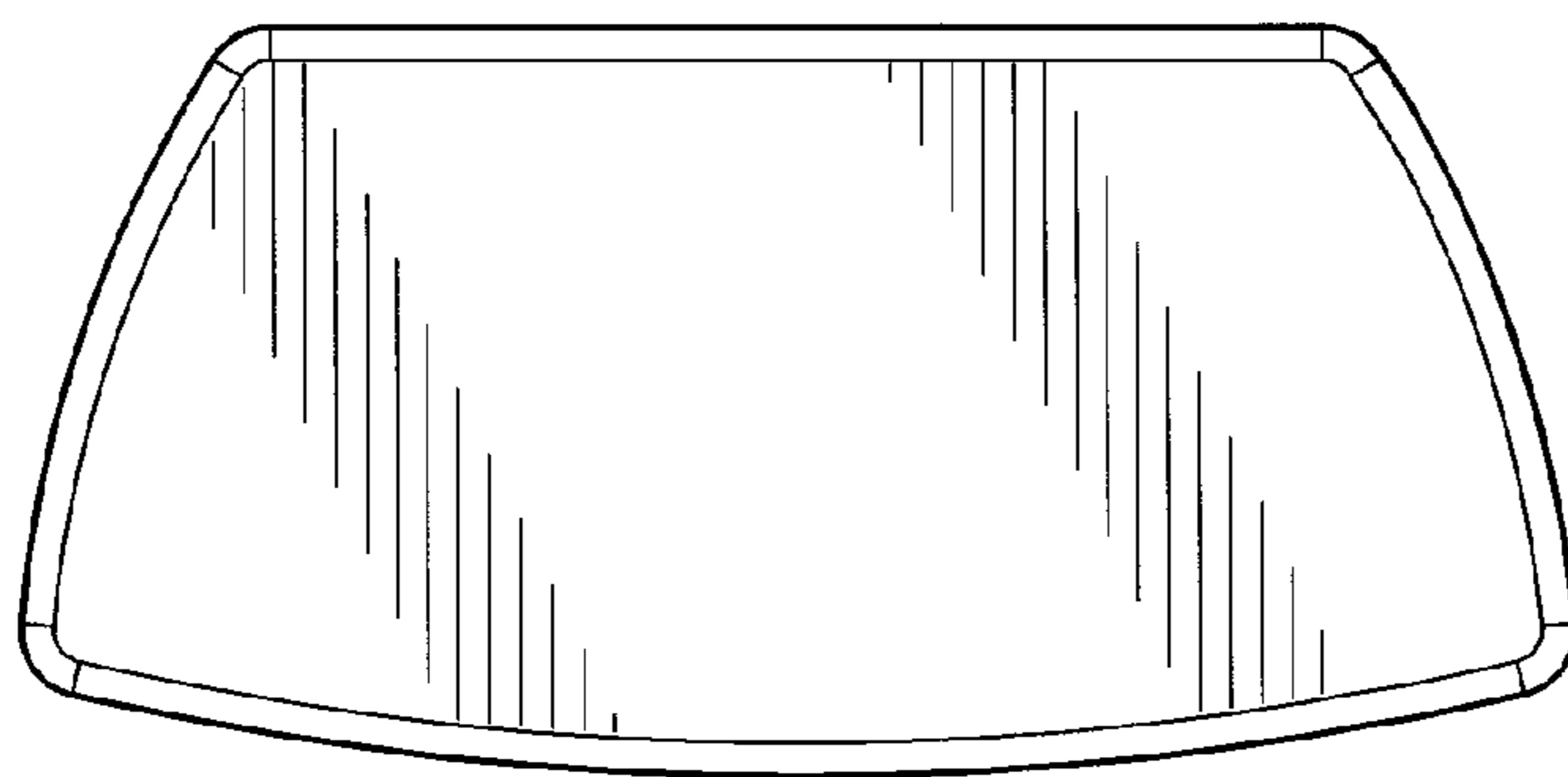


Fig-3

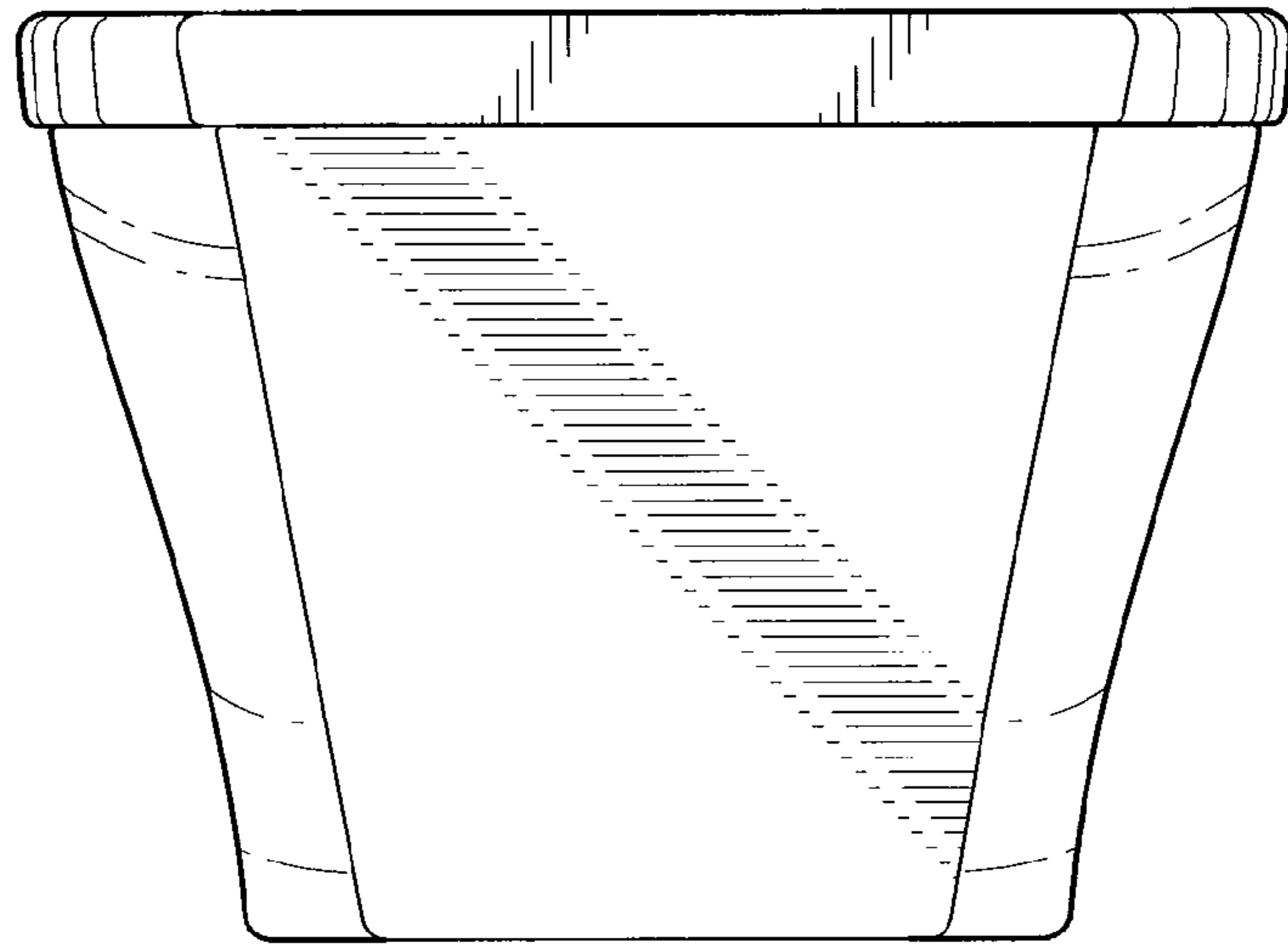


Fig-4

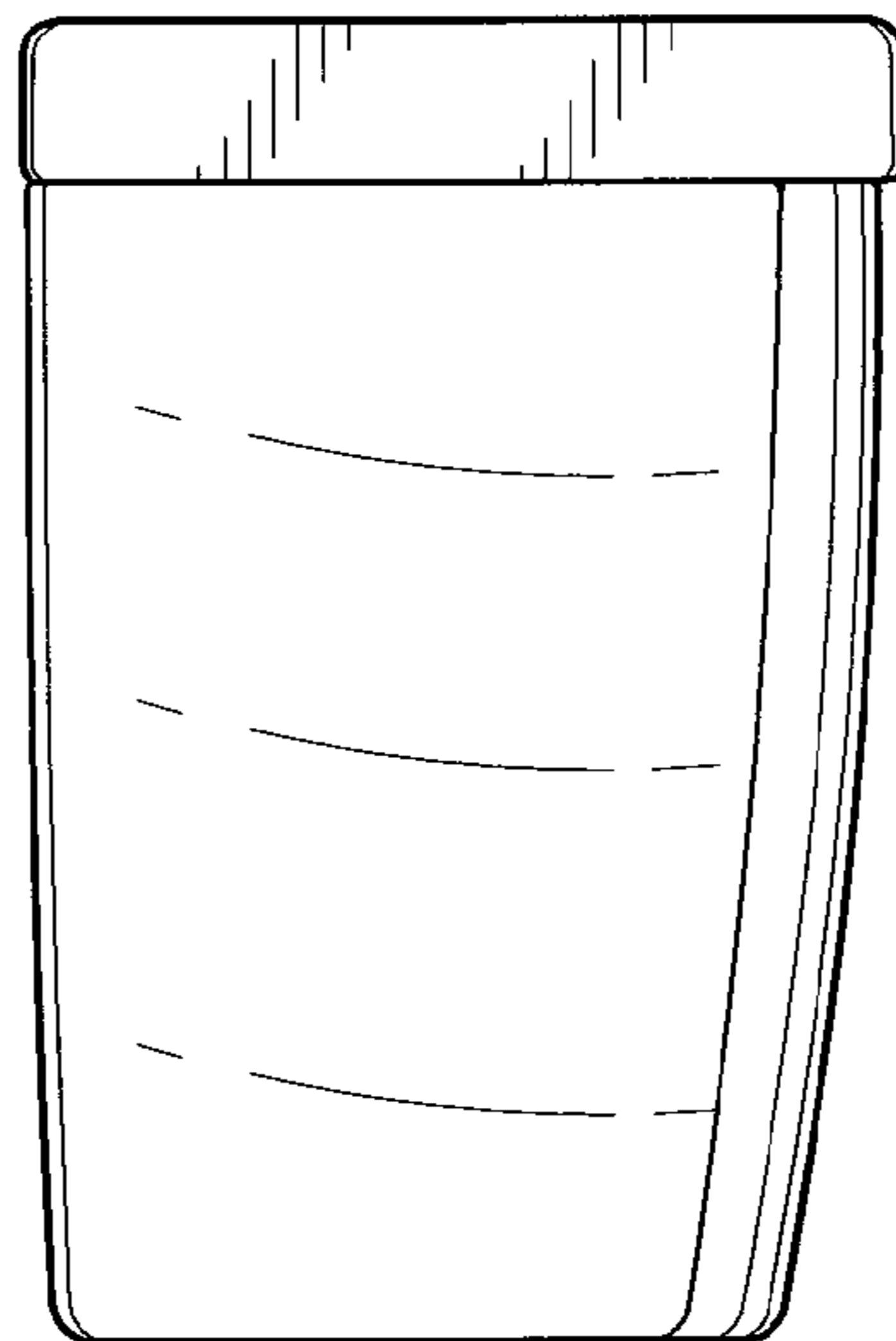


Fig-5

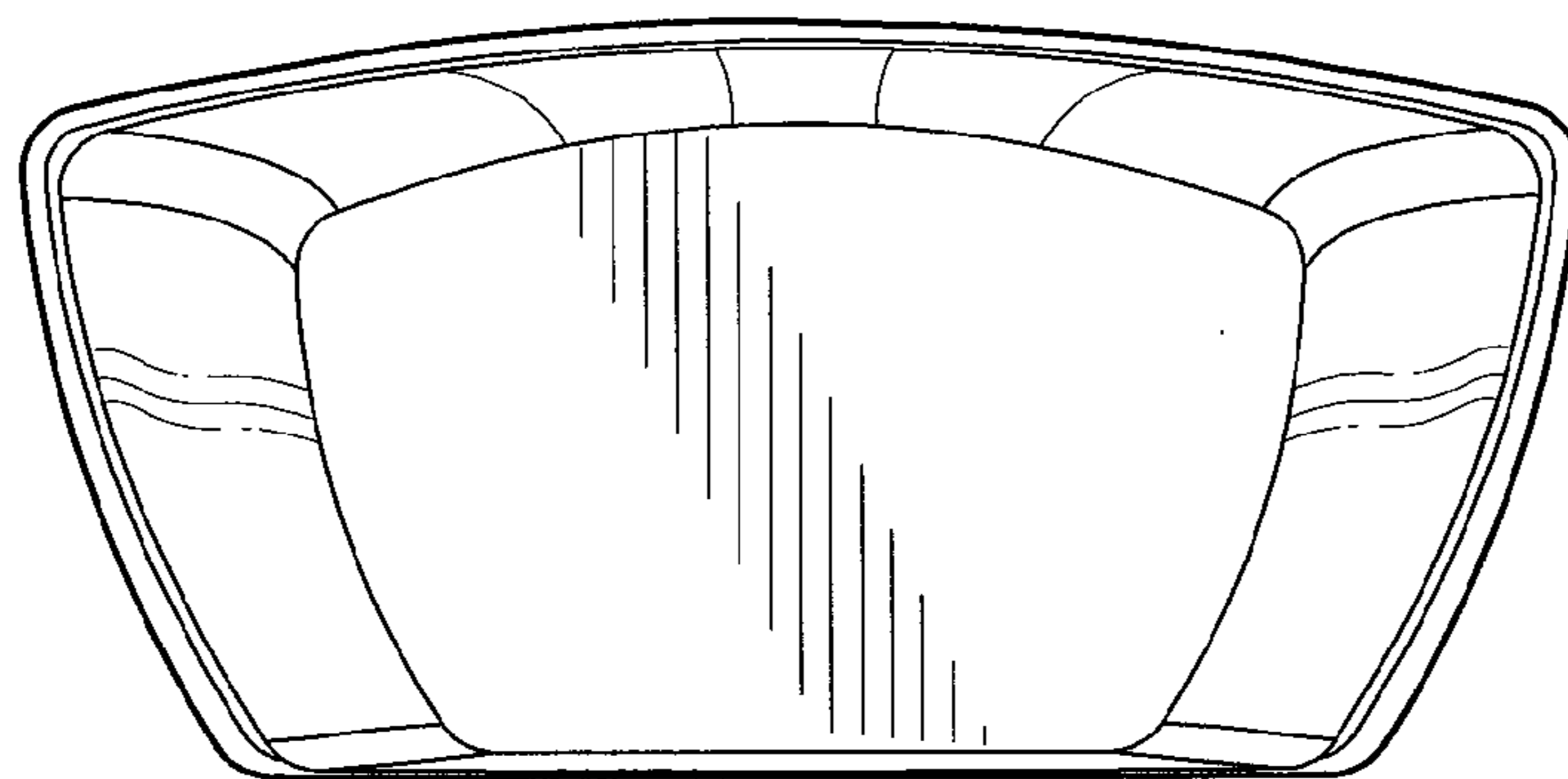


Fig-6