



US00D751182S

(12) **United States Design Patent**
Huang

(10) **Patent No.:** **US D751,182 S**
(45) **Date of Patent:** **** Mar. 8, 2016**

- (54) **AUTOMATIC FLUSHER COVER**
- (71) Applicant: **FLUSHTECH CORPORATION**,
Taoyuan (TW)
- (72) Inventor: **Bin-Han Huang**, Taipei (TW)
- (73) Assignee: **Flushtech Corporation**, Lulu, Taoyuan
(TW)
- (**) Term: **14 Years**
- (21) Appl. No.: **29/496,164**
- (22) Filed: **Jul. 10, 2014**
- (51) **LOC (10) Cl.** **23-01**
- (52) **U.S. Cl.**
USPC **D23/260; D23/233**
- (58) **Field of Classification Search**
USPC D23/259-263, 266-269, 233, 249;
251/215, 216; 285/369, 372, 373, 417,
285/133.11, 133.3, 133.21, 133.4, 133.5,
285/133.6
CPC F16L 11/00; F16L 37/252; F16L 41/007;
E03C 1/26; E03C 1/262; E03C 1/28; E03F
5/04; A61B 5/00; A61M 25/09016
See application file for complete search history.

- (56) **References Cited**
U.S. PATENT DOCUMENTS
D396,090 S * 7/1998 Marcichow D23/233
6,243,885 B1 * 6/2001 Lopez-Torres,
Jr. A47G 23/0225
220/737
D452,898 S * 1/2002 Johnson D23/233

- 6,382,586 B1 * 5/2002 Wilson F16K 31/40
251/30.02
- 6,499,152 B2 * 12/2002 Johnson E03D 5/105
137/110
- D480,450 S * 10/2003 Saadi D23/249
- 6,643,853 B2 * 11/2003 Wilson E03D 5/10
4/249
- 6,659,420 B2 * 12/2003 Hwang F16K 31/3855
251/26
- 7,188,822 B2 * 3/2007 Marcichow E03D 3/02
251/129.01
- D598,974 S * 8/2009 Parsons D23/233
- D599,437 S * 9/2009 Parsons D23/233
- D602,561 S * 10/2009 Parsons D23/233
- D612,014 S * 3/2010 Parsons D23/233
- 2003/0178591 A1 * 9/2003 Hwang F16K 31/3855
251/26

* cited by examiner

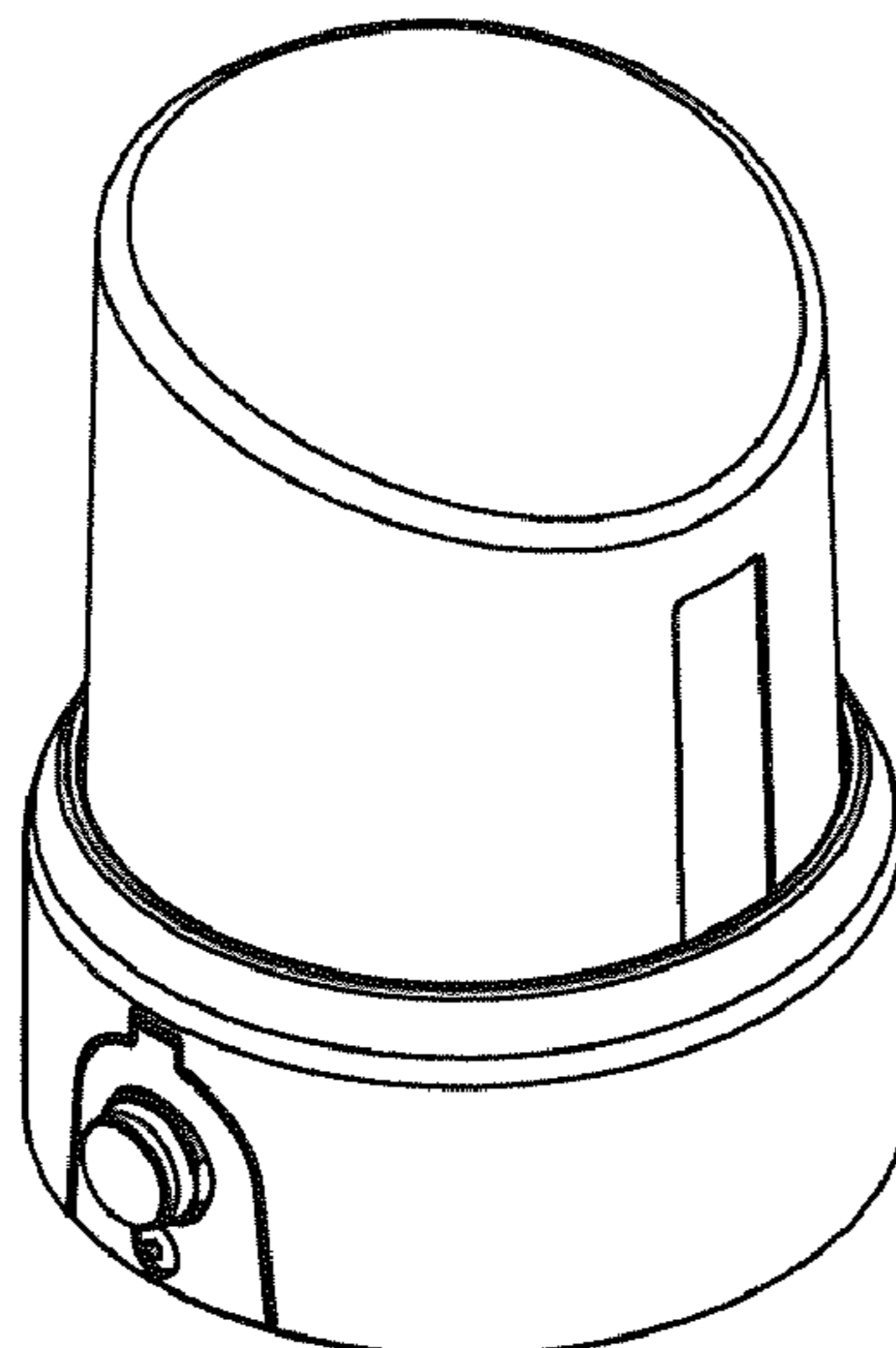
Primary Examiner — Sandra Snapp
(74) *Attorney, Agent, or Firm* — Rosenberg, Klein & Lee

(57) **CLAIM**
The ornamental design for an automatic flusher cover, as shown and described.

DESCRIPTION

FIG. 1 is a perspective front view of an automatic flusher cover showing my new design;
FIG. 2 is a perspective left side view thereof;
FIG. 3 is a front view thereof, the broken line showing of a flusher body forms no part of the claimed design;
FIG. 4 is a rear view thereof;
FIG. 5 is a top view thereof;
FIG. 6 is a right side view thereof; and,
FIG. 7 is a left side view thereof.

1 Claim, 4 Drawing Sheets



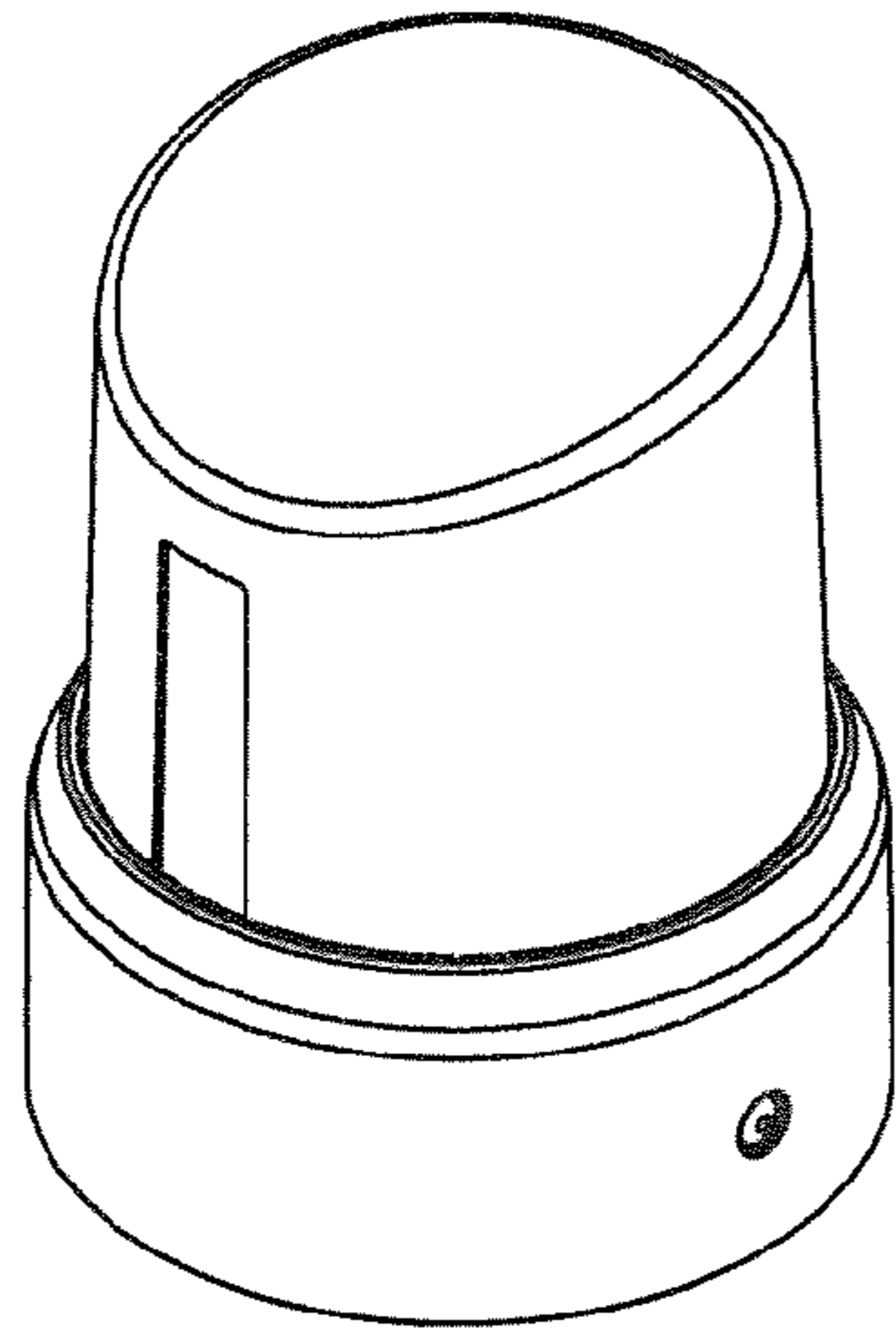


FIG. 1

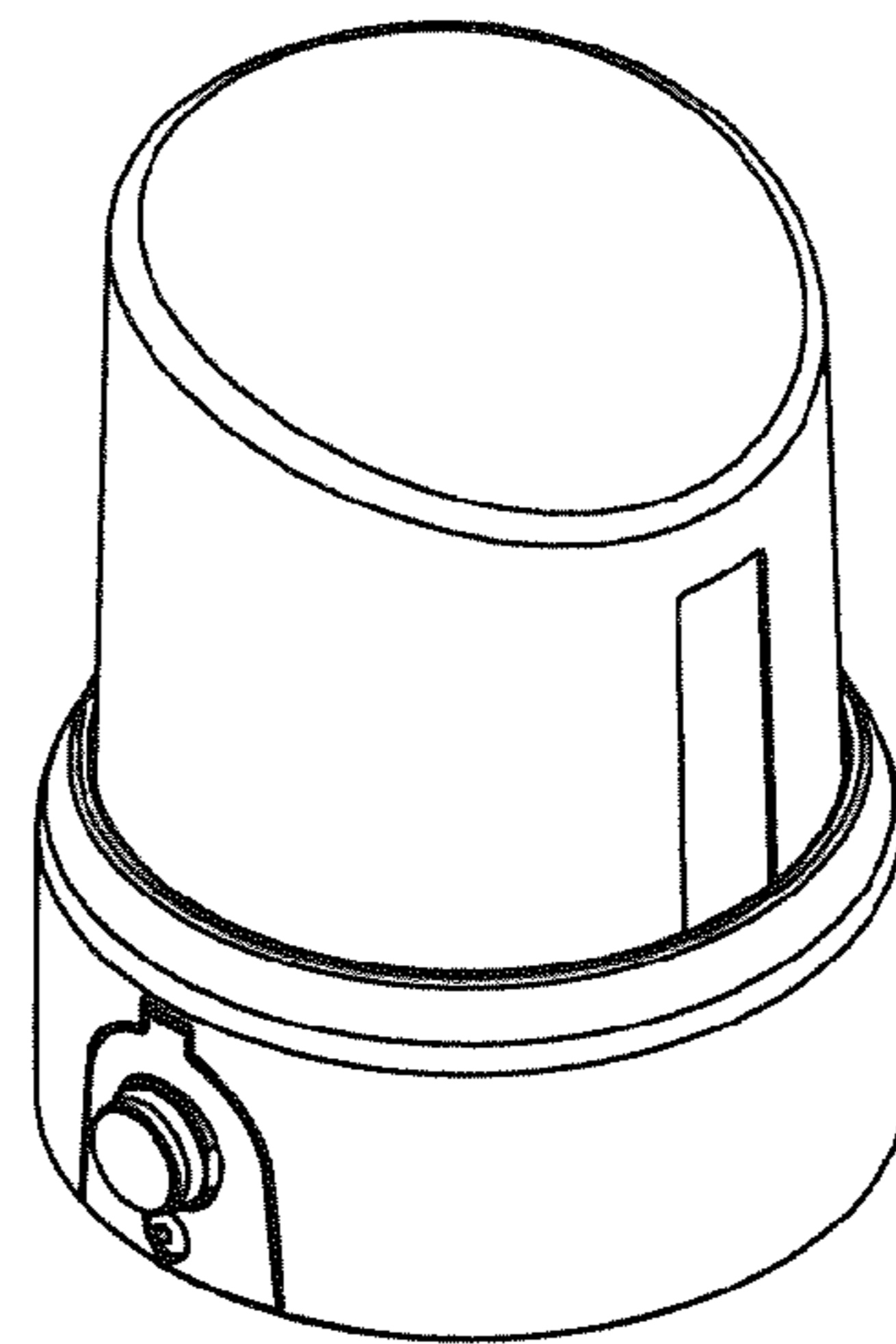


FIG. 2

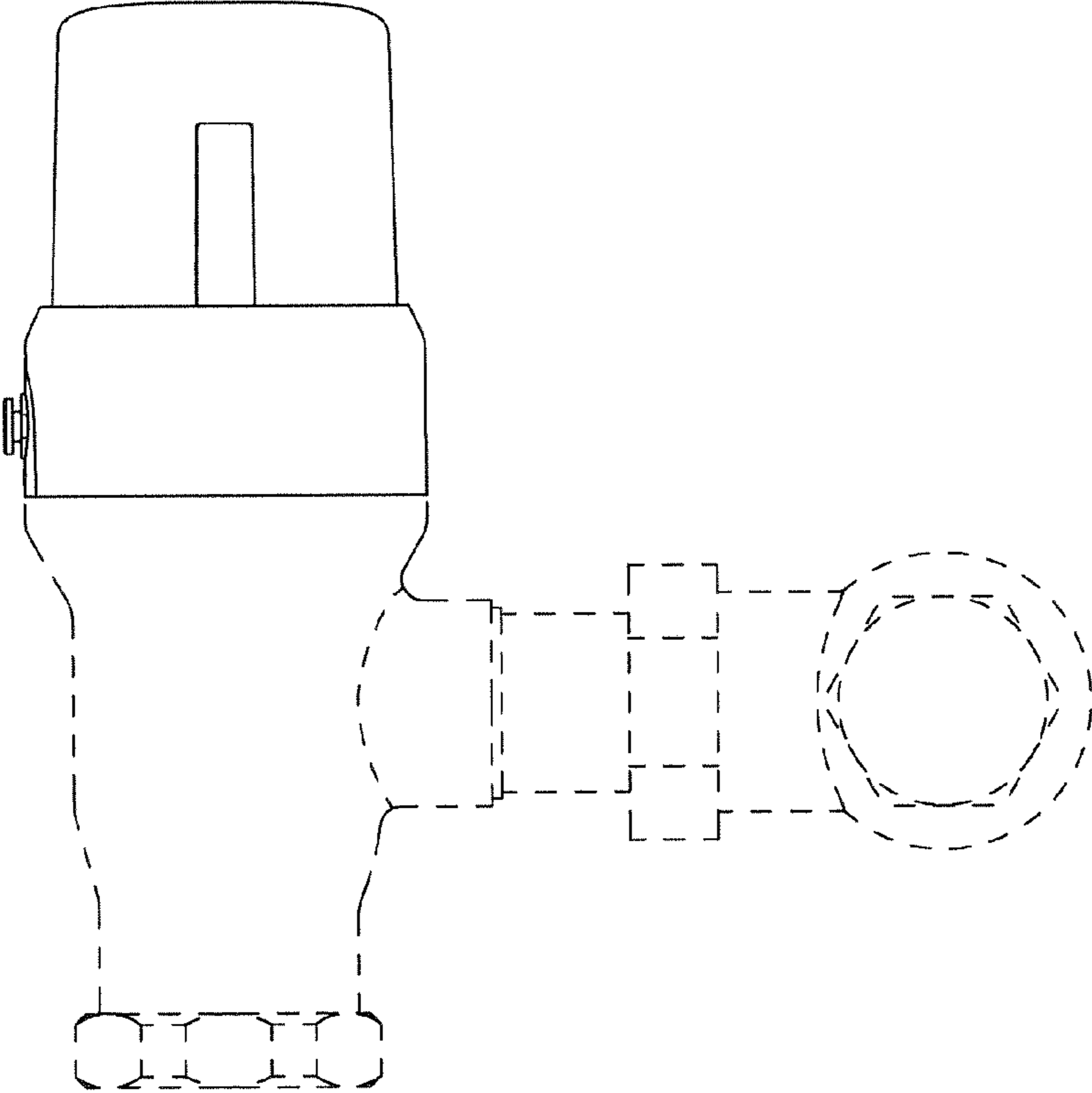


FIG.3

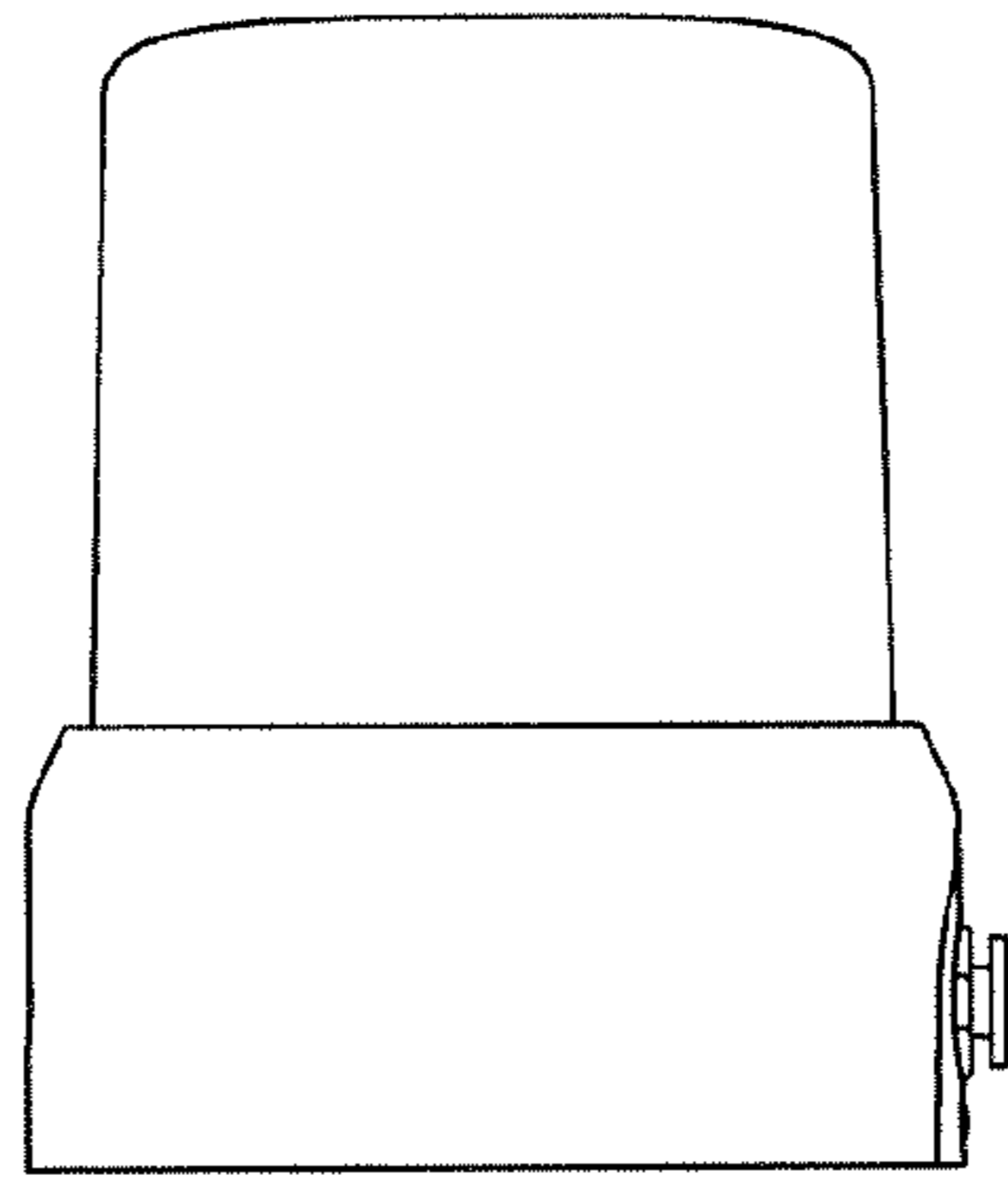


FIG. 4

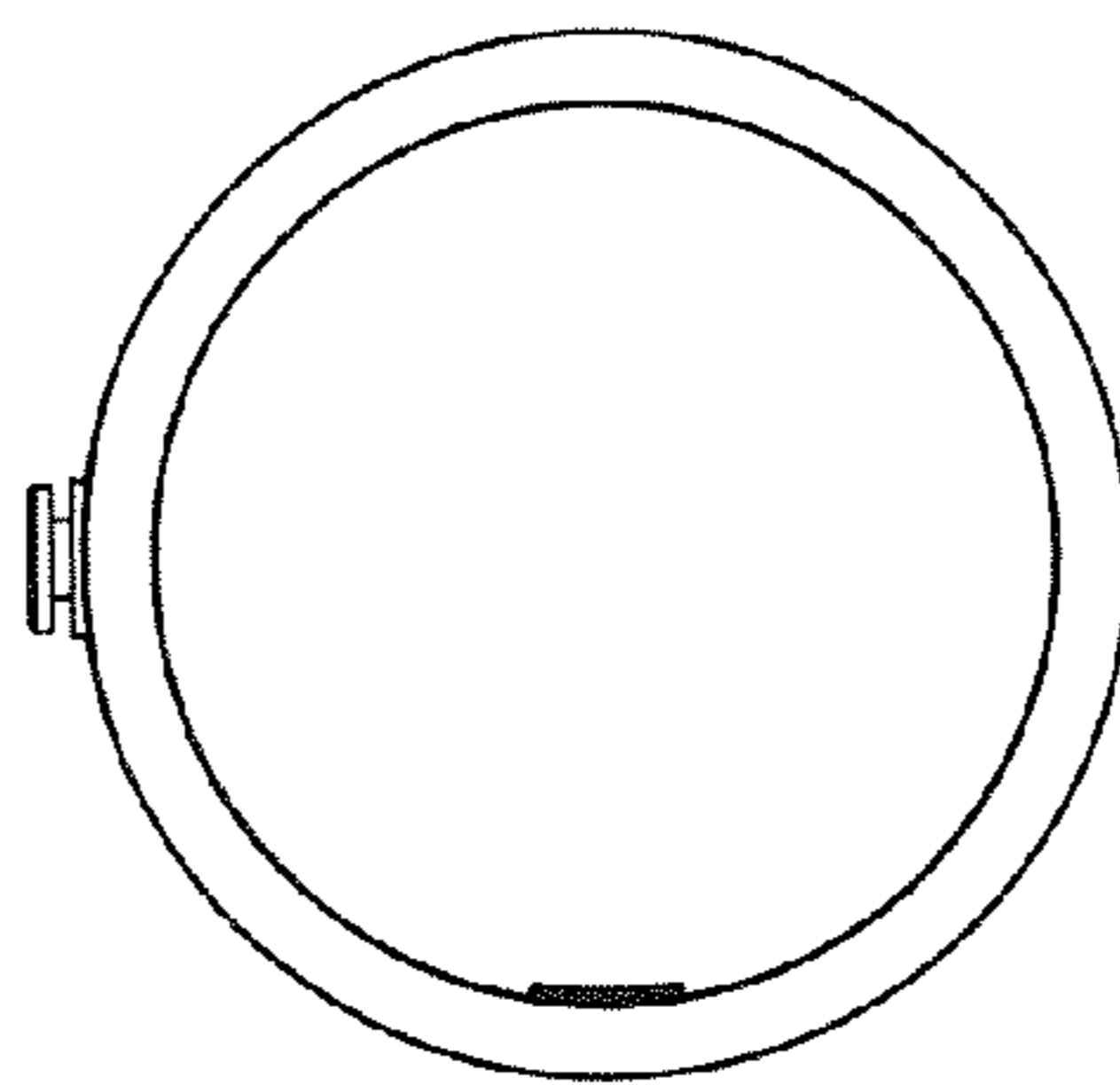


FIG. 5

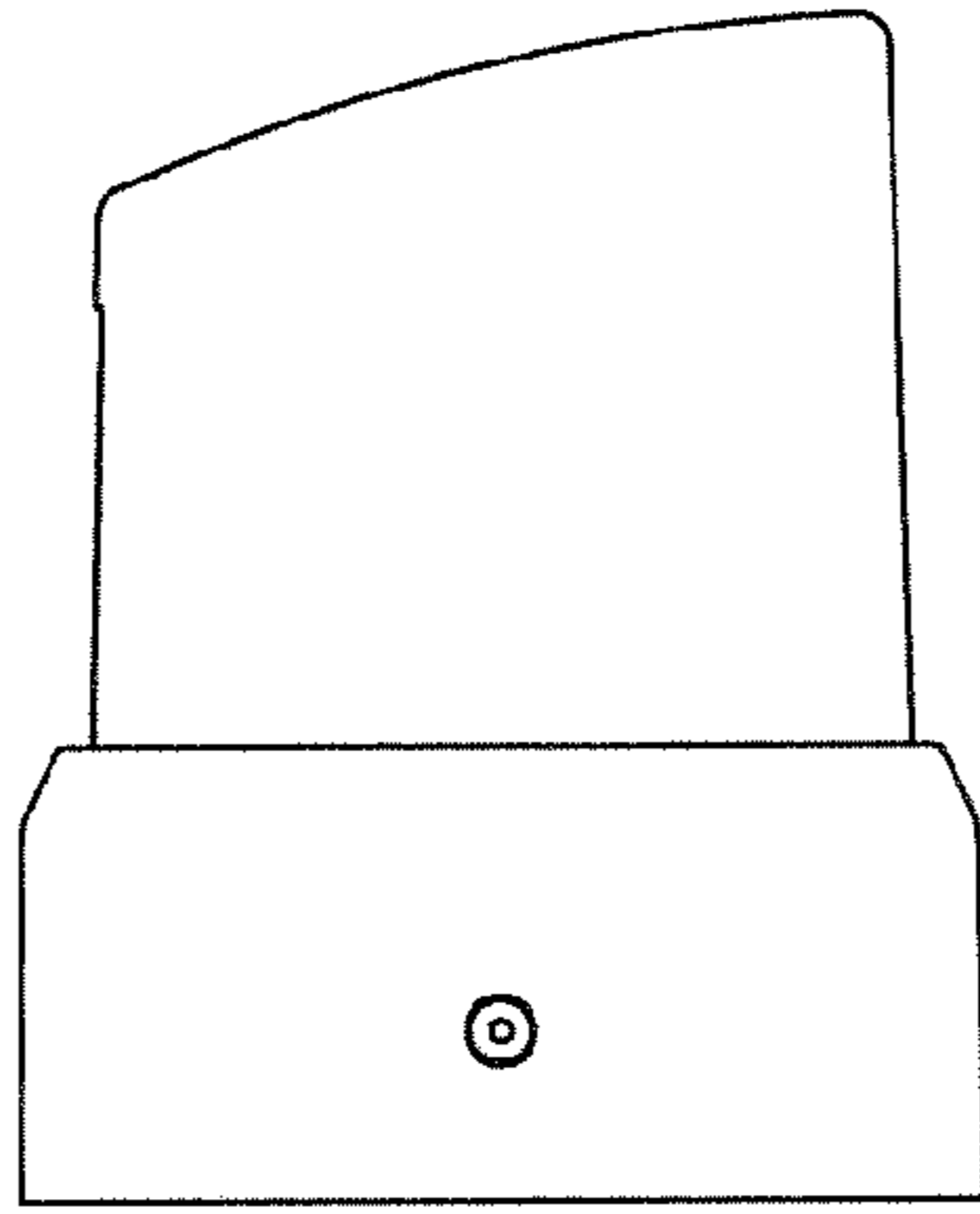


FIG. 6

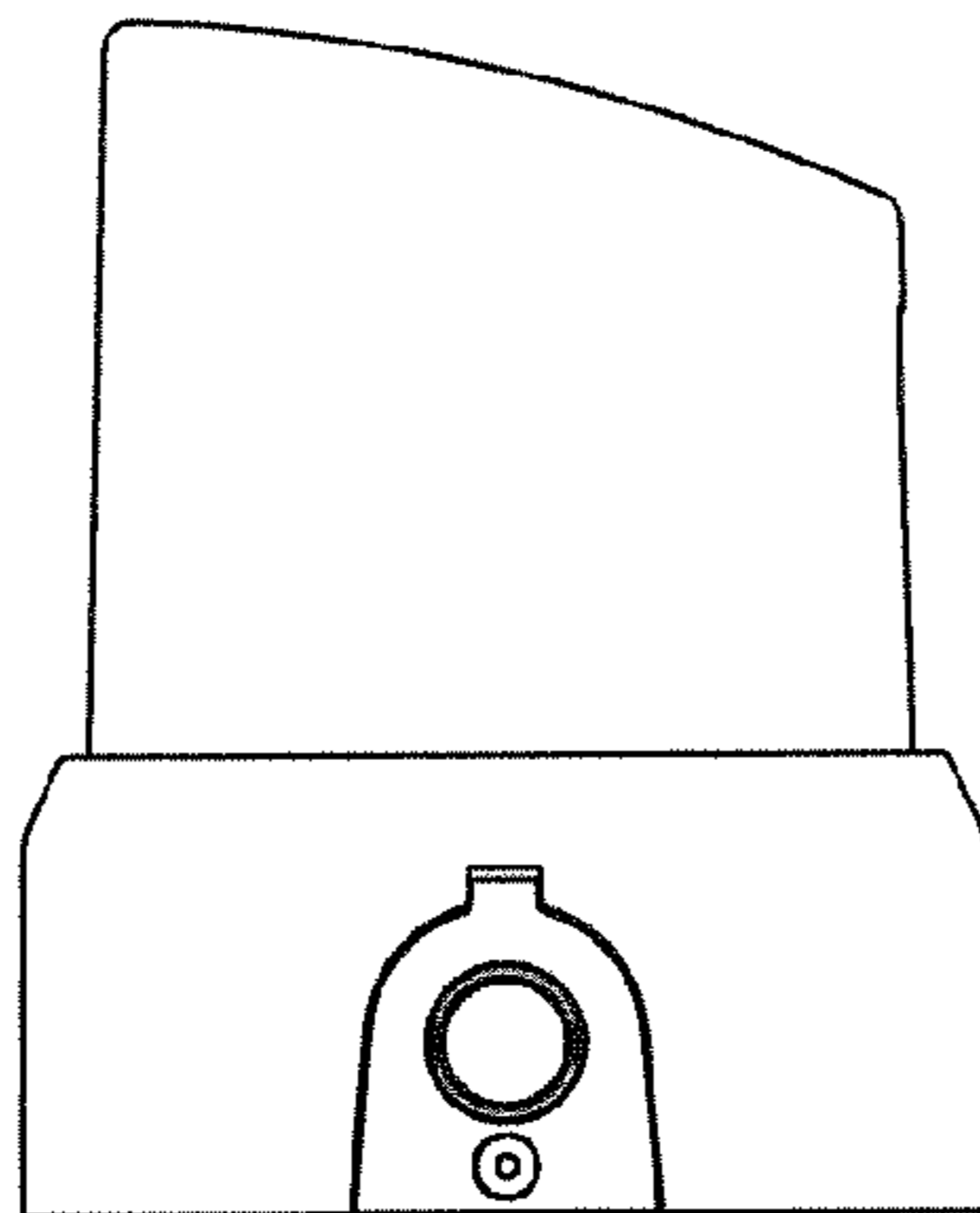


FIG. 7

UNITED STATES PATENT AND TRADEMARK OFFICE
CERTIFICATE OF CORRECTION

PATENT NO. : D751,182 S
APPLICATION NO. : 29/496164
DATED : March 8, 2016
INVENTOR(S) : Bin-Han Huang

Page 1 of 1

It is certified that error appears in the above-identified patent and that said Letters Patent is hereby corrected as shown below:

TITLE PAGE

Item “[73] Assignee”:

“Lulu”

should read

--Luju--

Signed and Sealed this
Twelfth Day of July, 2016



Michelle K. Lee
Director of the United States Patent and Trademark Office