



US00D751181S

(12) **United States Design Patent**
Gilbert et al.

(10) **Patent No.:** **US D751,181 S**
(45) **Date of Patent:** **** Mar. 8, 2016**

- (54) **FAUCET HUB**
- (71) Applicant: **Moen Incorporated**, North Olmsted, OH (US)
- (72) Inventors: **Christopher Jon Gilbert**, Moreland Hills, OH (US); **Jennifer P. Sedwick**, Lakewood, OH (US)
- (73) Assignee: **Moen Incorporated**, North Olmsted, OH (US)
- (**) Term: **14 Years**
- (21) Appl. No.: **29/510,599**
- (22) Filed: **Dec. 1, 2014**
- (51) **LOC (10) Cl.** **23-01**
- (52) **U.S. Cl.**
USPC **D23/255**
- (58) **Field of Classification Search**
USPC D23/238-243, 249, 253, 255, 257, 250, D23/252
CPC E03C 1/04; E03C 1/0401; E03C 1/0402; E03C 1/0404
See application file for complete search history.

(56) **References Cited**

U.S. PATENT DOCUMENTS

D217,671 S	5/1970	Rowlands	
D516,675 S	3/2006	Kakahana	
D528,636 S	9/2006	Latoracca	
D538,891 S	3/2007	Gilbert et al.	
D538,892 S	3/2007	Gilbert	
D566,818 S	4/2008	Kohler, Jr. et al.	
D567,912 S	* 4/2008	Juratovac et al. D23/255
D569,483 S	5/2008	Daunter et al.	
D569,950 S	5/2008	Williams	
D576,709 S	9/2008	Fritz	

D589,598 S	*	3/2009	Montgomery et al.	D23/250
D593,185 S		5/2009	Williams		
D594,091 S		6/2009	Schoenherr et al.		
D594,936 S		6/2009	Schoenherr et al.		
D602,122 S		10/2009	Corbett		
D602,125 S	*	10/2009	Montgomery et al.	D23/255
D602,569 S		10/2009	Fakonas		
D607,978 S		1/2010	Williams		
D609,308 S		2/2010	Fritz et al.		
D620,559 S		7/2010	Romero		
D634,815 S	*	3/2011	Barry	D23/252
D636,461 S		4/2011	Romero		
D636,853 S		4/2011	Yu		
D640,774 S		6/2011	Ke et al.		
D645,123 S		9/2011	Corbett		
D655,395 S		3/2012	Obara et al.		
D667,086 S		9/2012	Kwok		
D677,367 S	*	3/2013	Chen	D23/255
D678,987 S		3/2013	Liao		

(Continued)

Primary Examiner — Robert Delehanty

(74) *Attorney, Agent, or Firm* — Calfee, Halter & Griswold LLP

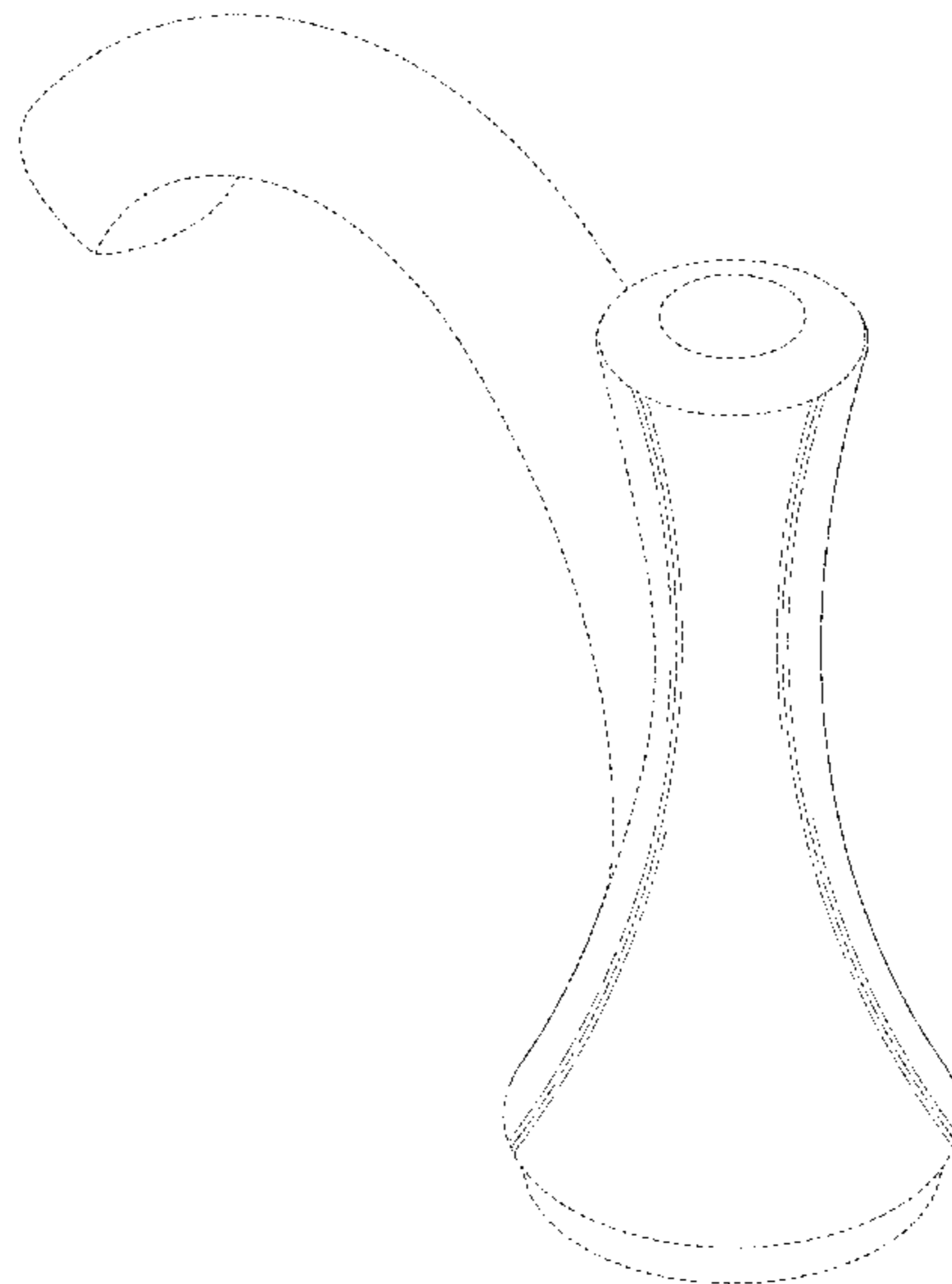
(57) **CLAIM**

The ornamental design for a faucet hub, as shown and described.

DESCRIPTION

FIG. 1 is a perspective view of a faucet hub of the new design; FIG. 2 is a front elevational view of the faucet hub of FIG. 1; FIG. 3 is a rear elevational view of the faucet hub of FIG. 1; FIG. 4 is a left side elevational view of the faucet hub of FIG. 1, the right side elevational view being a mirror image thereof; FIG. 5 is a top plan view of the faucet hub of FIG. 1; and, FIG. 6 is a bottom plan view of the faucet hub of FIG. 1. The portions of the Figures shown in broken lines are not part of the claimed design and are for illustration only.

1 Claim, 4 Drawing Sheets



(56)

References Cited

U.S. PATENT DOCUMENTS

D679,365 S 4/2013 Liao
D681,174 S 4/2013 Liao
D682,991 S 5/2013 Liao
D684,666 S 6/2013 Lord
D687,126 S 7/2013 Romero et al.
D691,706 S 10/2013 Metaxatos et al.

D692,538 S 10/2013 Flowers et al.
D693,907 S 11/2013 Mendoza et al.
D694,369 S 11/2013 Mendoza et al.
D697,178 S 1/2014 Georgeson et al.
D699,324 S 2/2014 Tarng
D702,323 S 4/2014 Flowers et al.
D713,509 S * 9/2014 Potter et al. D23/252
D735,300 S * 7/2015 Chen D23/255

* cited by examiner

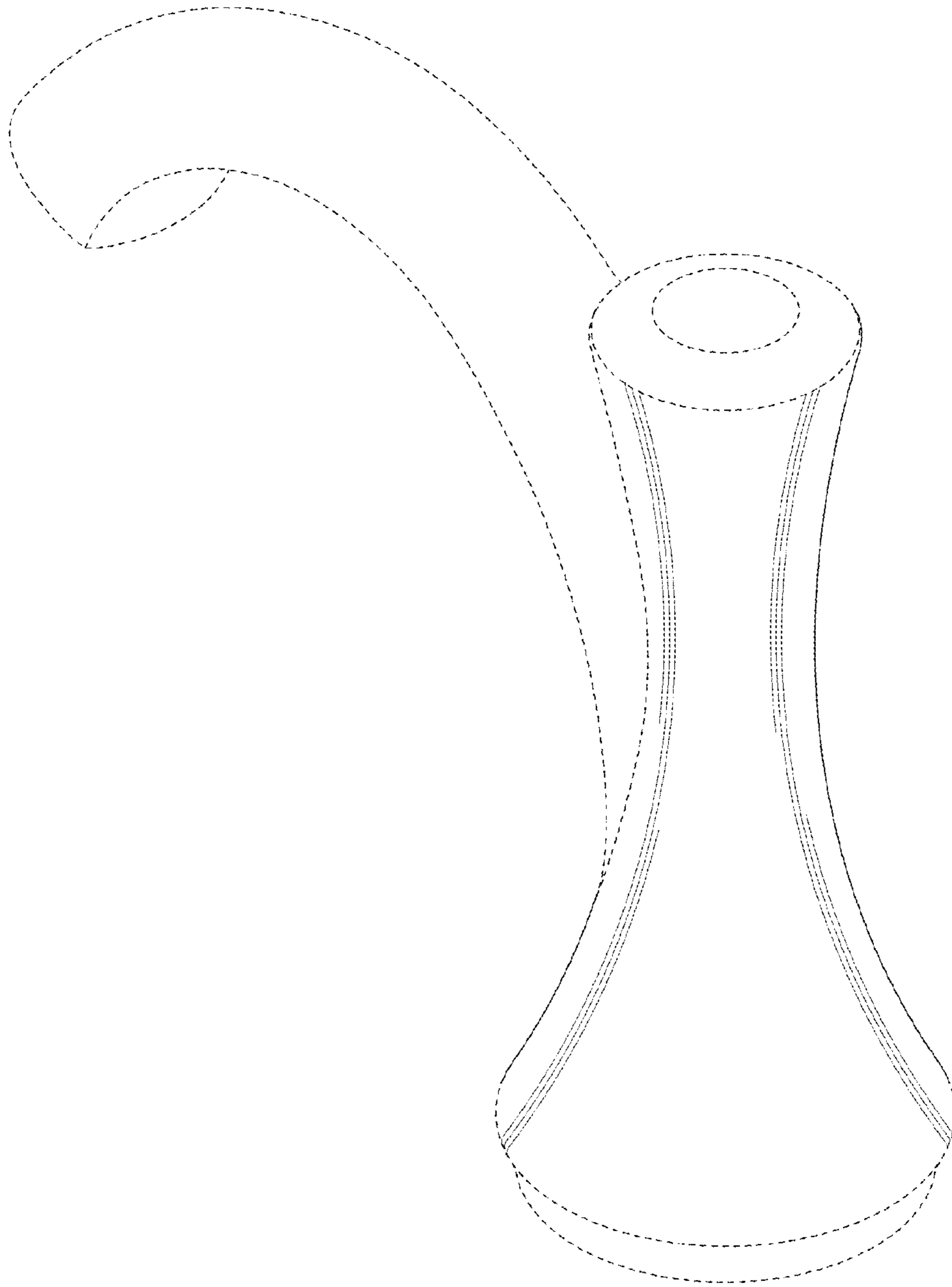


FIG. 1

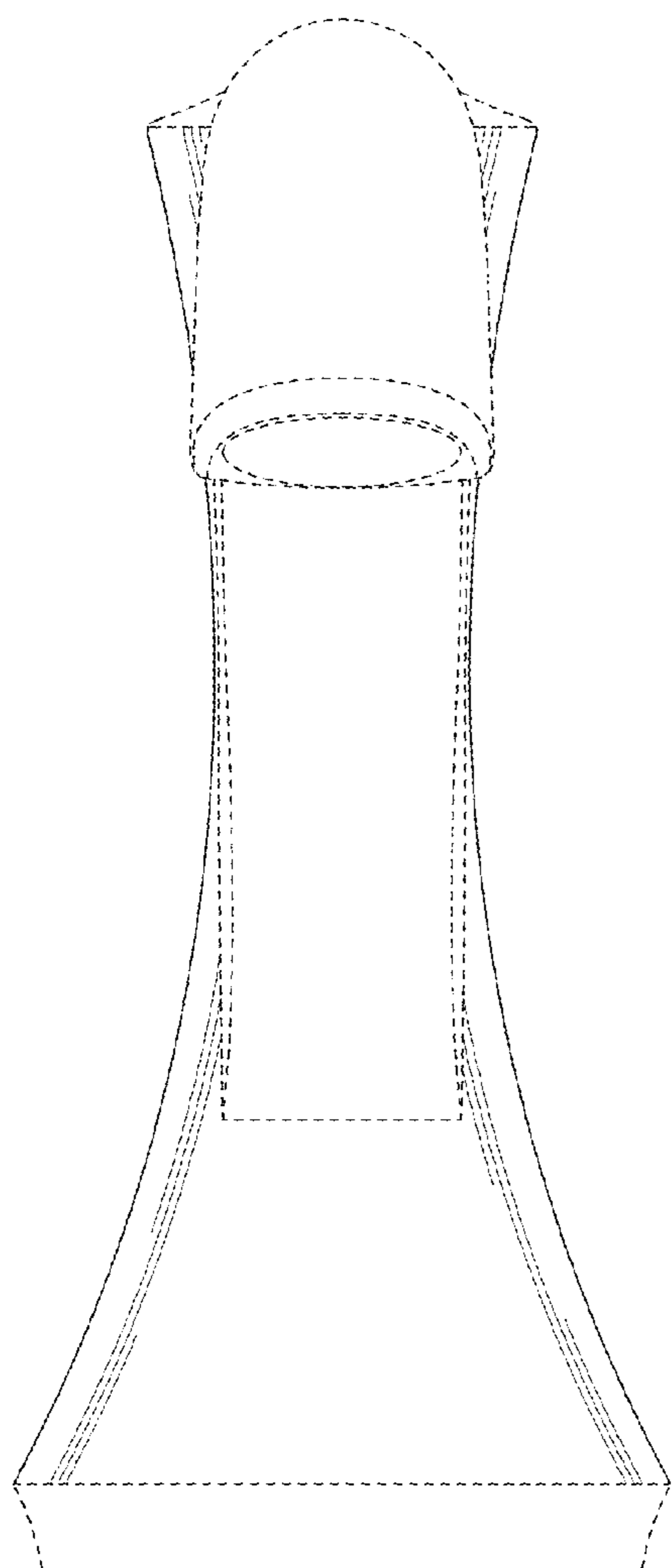


FIG. 2

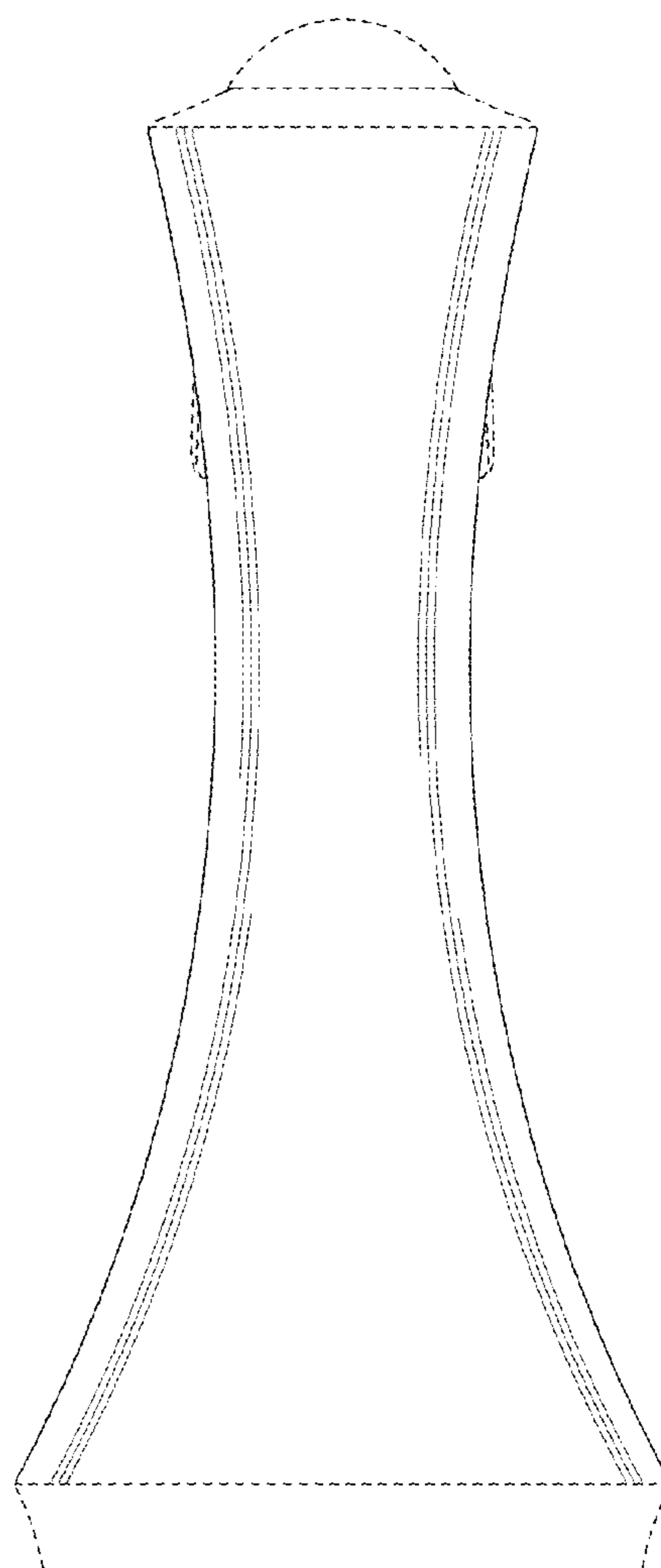


FIG. 3

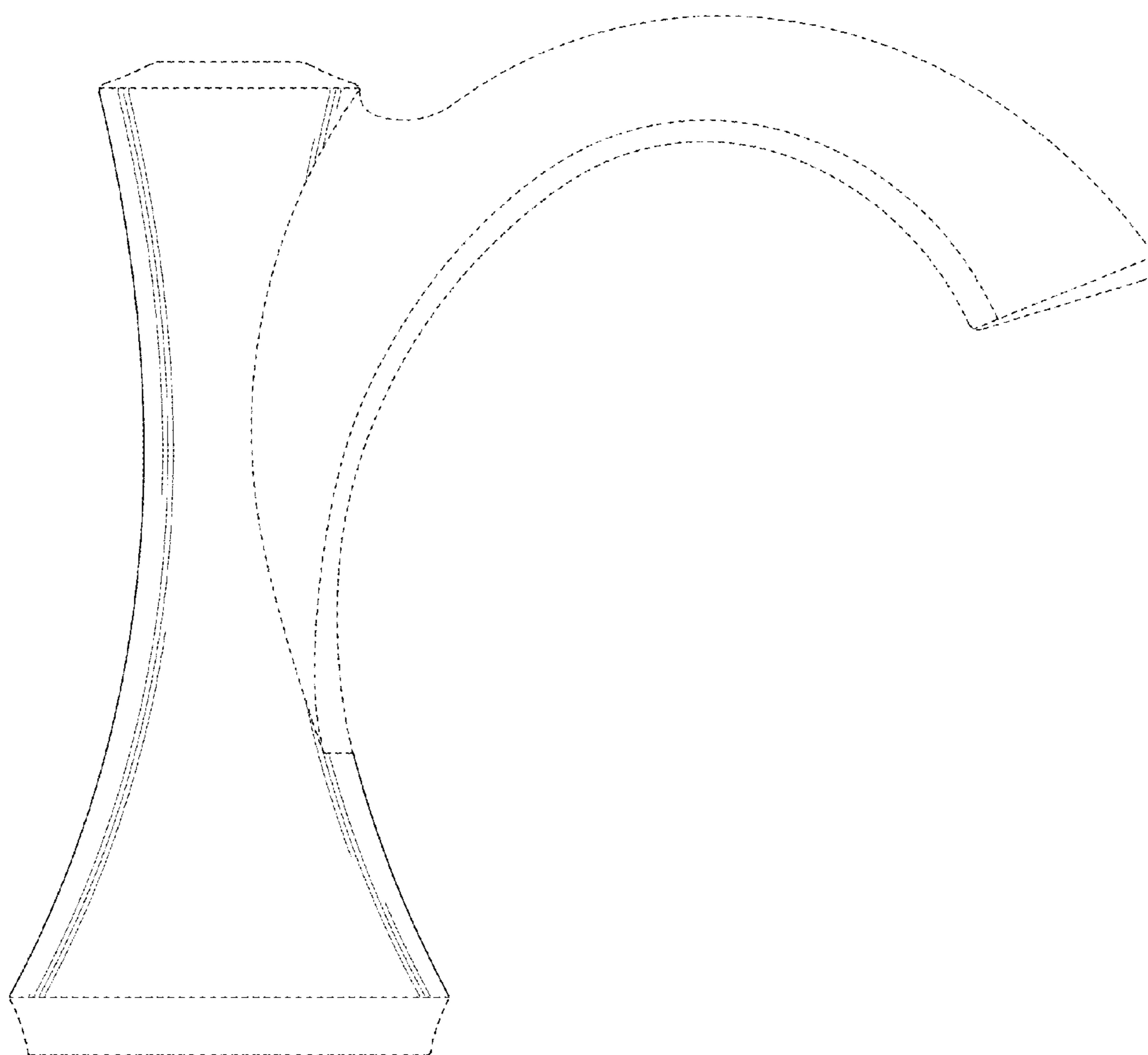


FIG. 4

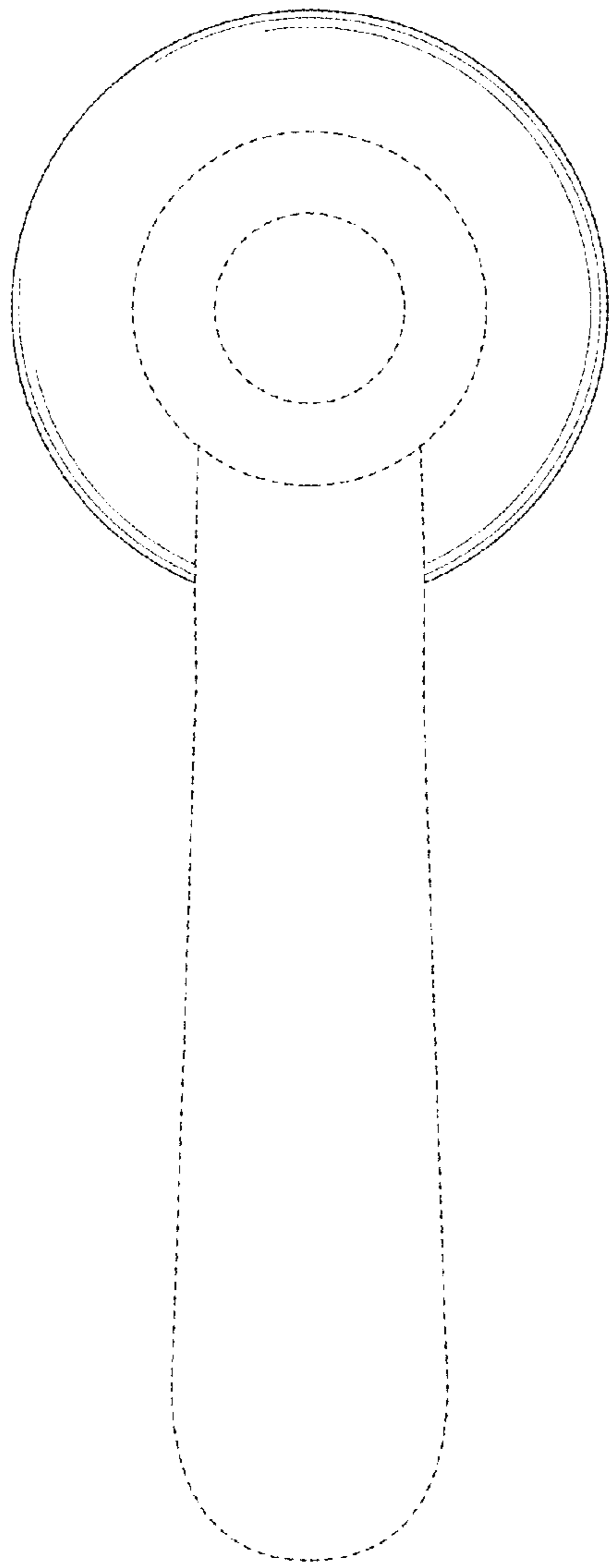


FIG. 5

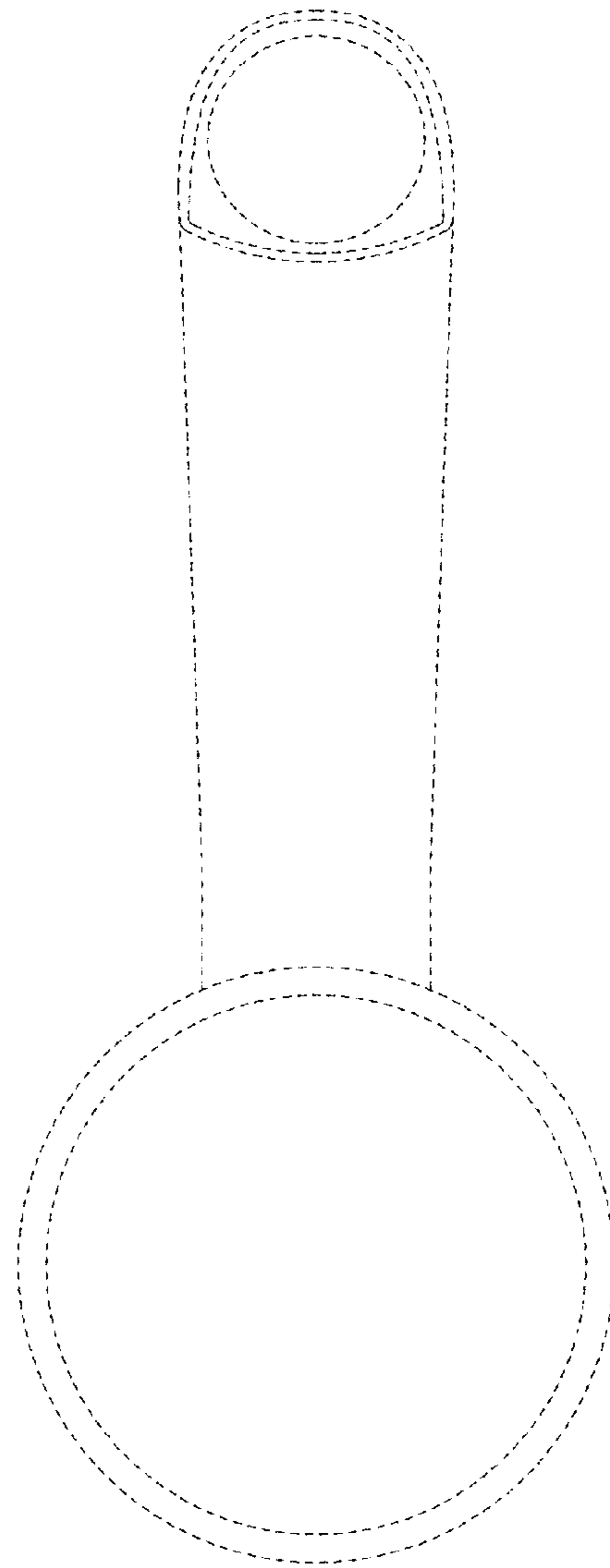


FIG. 6