



US00D751180S

(12) **United States Design Patent**  
**Rexach**

(10) **Patent No.:** **US D751,180 S**  
(45) **Date of Patent:** **\*\* Mar. 8, 2016**

- (54) **FAUCET**
- (71) Applicant: **Kohler Co.**, Kohler, WI (US)
- (72) Inventor: **Rafael A. Rexach**, Sheboygan, WI (US)
- (73) Assignee: **KOHLER CO.**, Kohler, WI (US)
- (\*\*) Term: **14 Years**
- (21) Appl. No.: **29/509,190**
- (22) Filed: **Nov. 14, 2014**
- (51) **LOC (10) Cl.** ..... **23-01**
- (52) **U.S. Cl.**  
USPC ..... **D23/255**
- (58) **Field of Classification Search**  
USPC ..... D23/238–243, 249, 253, 255, 257, 250,  
D23/252  
CPC ..... E03C 1/04; E03C 1/0401; E03C 1/0402;  
E03C 1/0404  
See application file for complete search history.

- D516,177 S 2/2006 Ouyoung
- D516,681 S 3/2006 Gilbert
- D530,795 S 10/2006 Sutopo
- D531,273 S 10/2006 Tsai
- D534,621 S 1/2007 Chu

(Continued)

**OTHER PUBLICATIONS**

U.S. Appl. No. 29/453,546, filed Apr. 30, 2013, Kohler Co.  
(Continued)

*Primary Examiner* — Robert Delehanty

(74) *Attorney, Agent, or Firm* — Foley & Lardner LLP

(57) **CLAIM**

I claim the ornamental design for a faucet, as shown and described.

**DESCRIPTION**

This application is related to U.S. patent application Ser. No. 29/509,189, filed Nov. 14, 2014 and to U.S. patent application Ser. No. 29/509,192, filed Nov. 14, 2014, both of which are incorporated herein by reference in their entireties.

FIG. 1 is a top, front, right perspective view of an embodiment of the claimed design;

FIG. 2 is a right elevation view thereof;

FIG. 3 is a left elevation view thereof;

FIG. 4 is a front elevation view thereof;

FIG. 5 is a rear elevation view thereof;

FIG. 6 is a top plan view thereof; and,

FIG. 7 is a bottom plan view thereof.

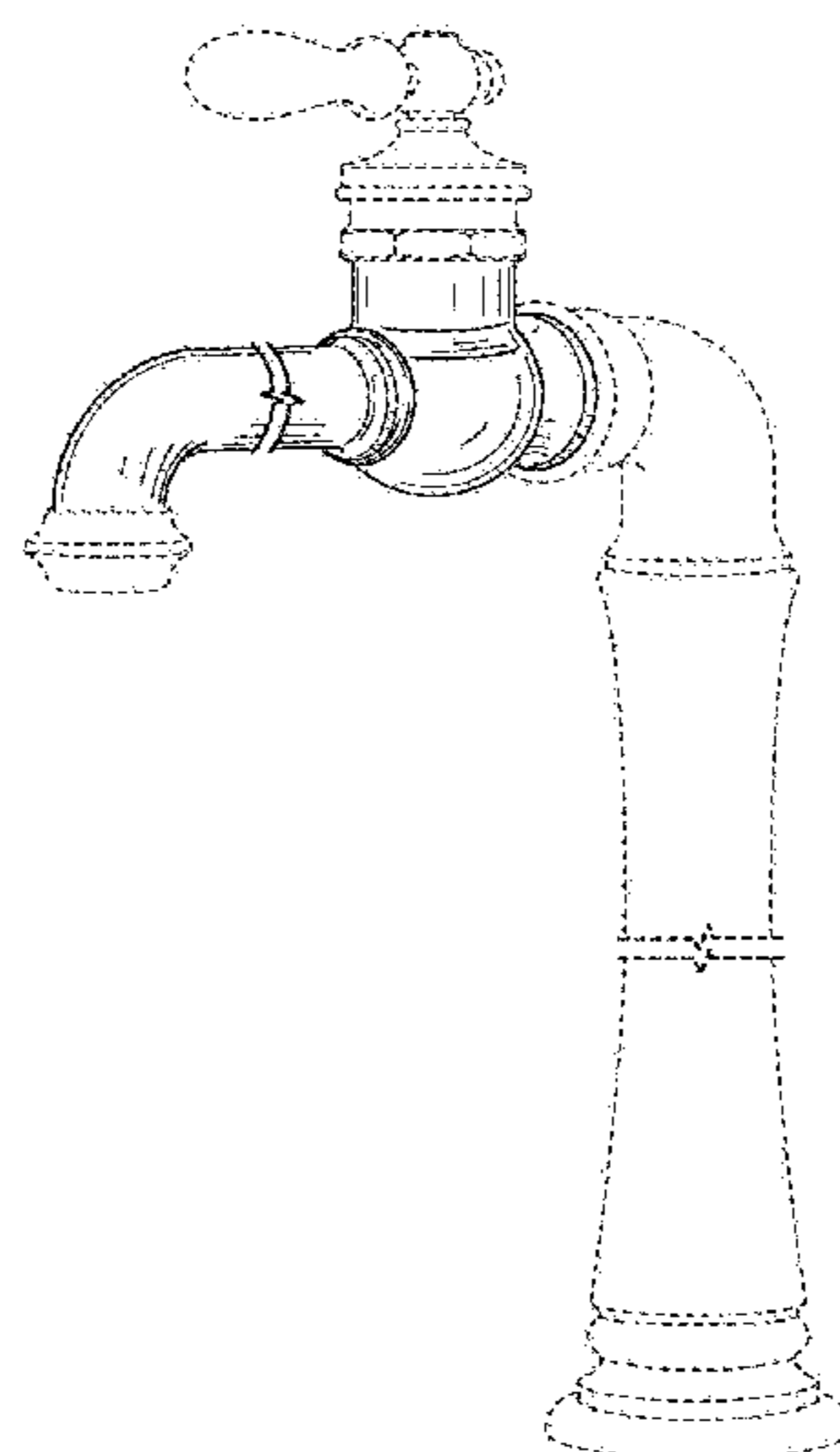
The ornamental design which is claimed is shown in solid lines in the drawings. The broken lines in the drawings form no part of the claimed design. Broken lines formed by equal length dashes show unclaimed subject matter. Broken lines formed by unequal length dashes (i.e., dash-dot) define bounds of the claimed design. Broken away symbols having a jagged element show that no particular length of the portion is claimed.

**1 Claim, 5 Drawing Sheets**

(56) **References Cited**

**U.S. PATENT DOCUMENTS**

- 1,838,290 A \* 12/1931 Steckel ..... 137/599.01
- D318,906 S 8/1991 Spangler
- D348,509 S 7/1994 Bollenbacher
- D349,208 S 8/1994 Bollenbacher
- D349,328 S 8/1994 Bollenbacher
- D349,331 S 8/1994 Bollenbacher
- D349,948 S 8/1994 Bollenbacher et al.
- D350,184 S 8/1994 Kohler, Jr.
- D350,390 S 9/1994 Bollenbacher
- D352,095 S 11/1994 Bollenbacher
- D354,548 S 1/1995 Bollenbacher et al.
- D471,964 S 3/2003 Bates et al.
- D478,153 S \* 8/2003 Friedrich ..... D23/242
- D482,757 S 11/2003 Blomstrom
- D482,758 S 11/2003 Bates et al.
- D483,093 S 12/2003 Bates et al.
- D487,916 S 3/2004 Lord
- D500,549 S 1/2005 Blomstrom
- D508,108 S 8/2005 Blomstrom



(56)

**References Cited**

U.S. PATENT DOCUMENTS

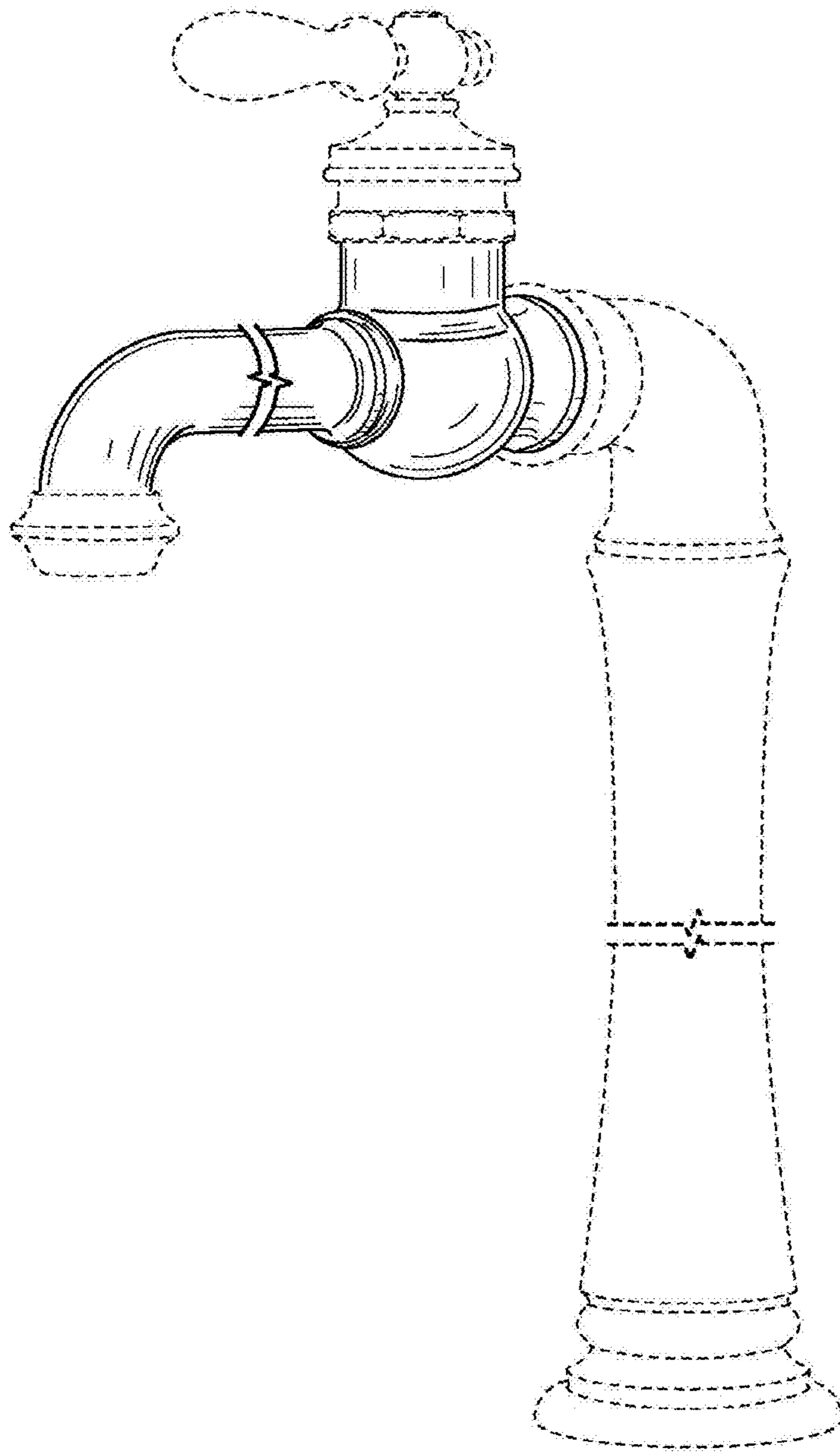
D534,987 S 1/2007 Eilmus  
D562,947 S \* 2/2008 Zhang ..... D23/243  
D579,080 S \* 10/2008 Zhang ..... D23/238  
D582,011 S 12/2008 Yuan  
D591,402 S 4/2009 Eckhaus  
7,533,683 B2 5/2009 Ortega  
D636,850 S \* 4/2011 Shieh ..... D23/238  
D641,454 S \* 7/2011 McKeone ..... D23/238

D645,944 S \* 9/2011 Gilbert ..... D23/255  
D713,508 S 9/2014 Downey et al.  
D713,510 S 9/2014 Downey et al.  
D717,928 S 11/2014 Rexach  
D718,420 S 11/2014 Rexach  
D718,425 S \* 11/2014 Rexach et al. .... D23/255

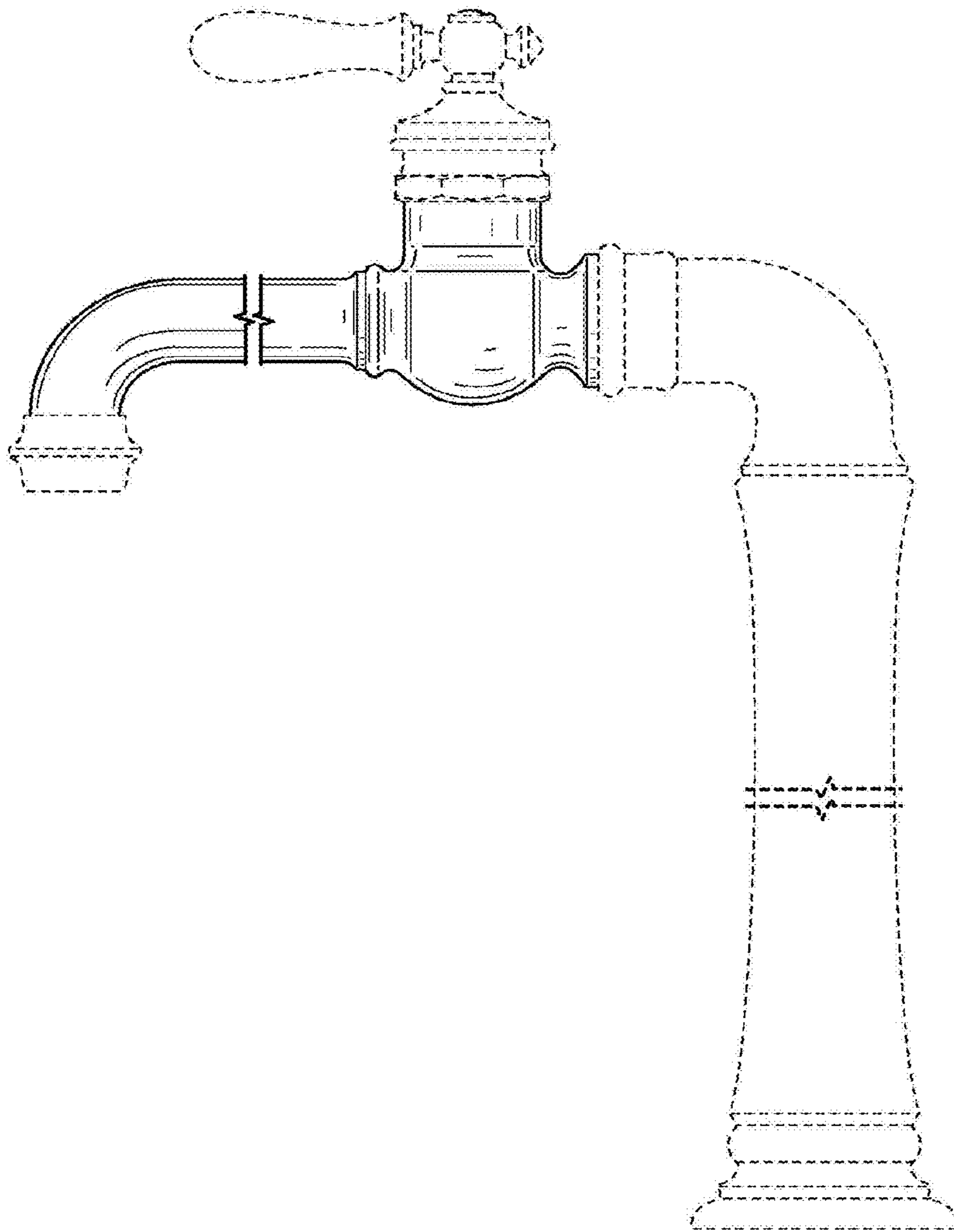
OTHER PUBLICATIONS

U.S. Appl. No. 13/794,544, filed Mar. 11, 2013, Kohler Co.

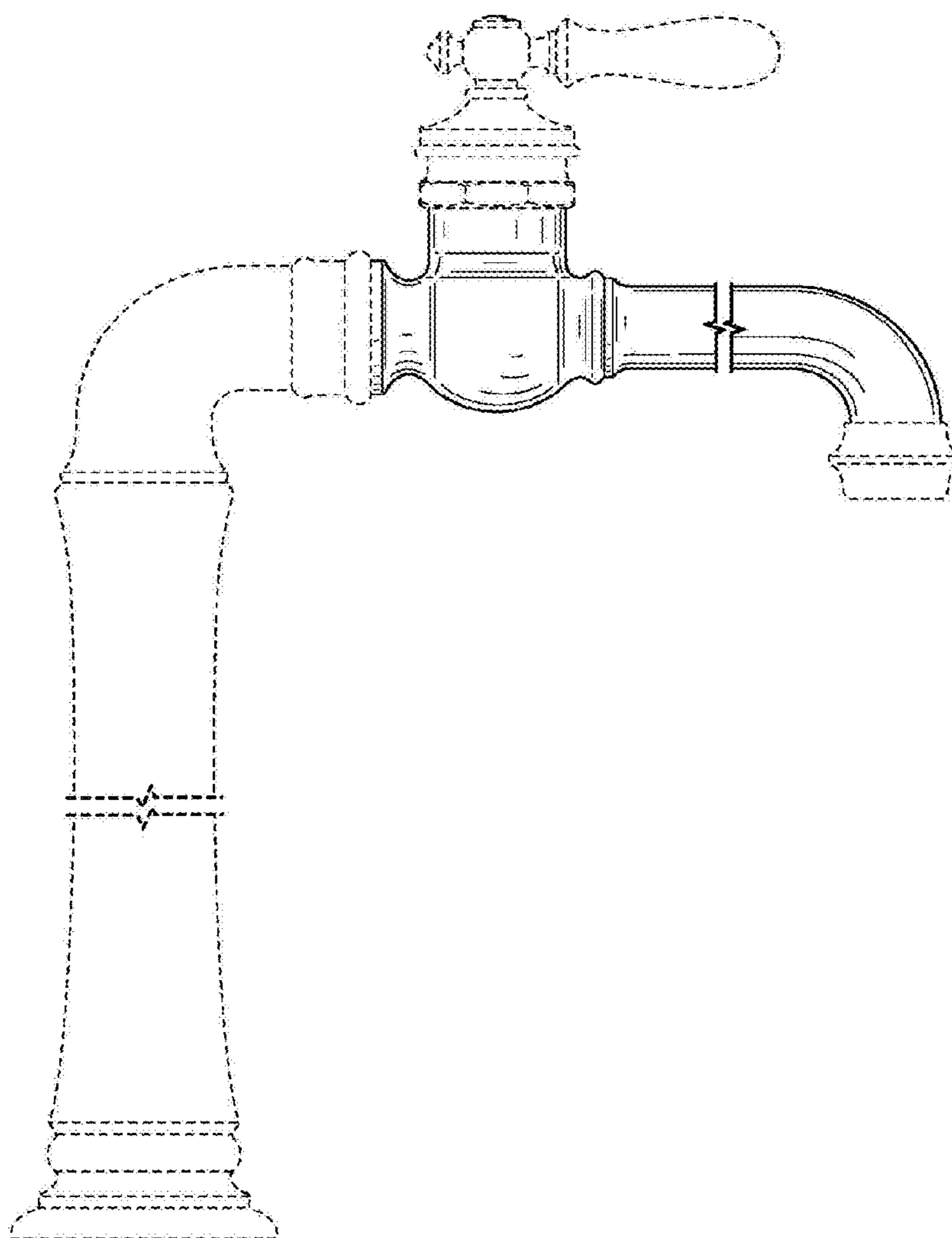
\* cited by examiner



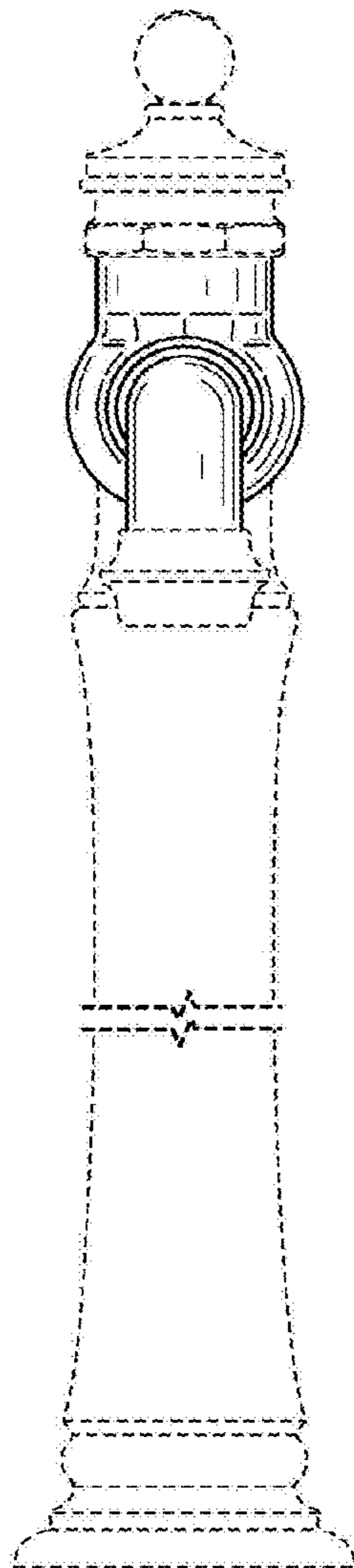
**FIG. 1**



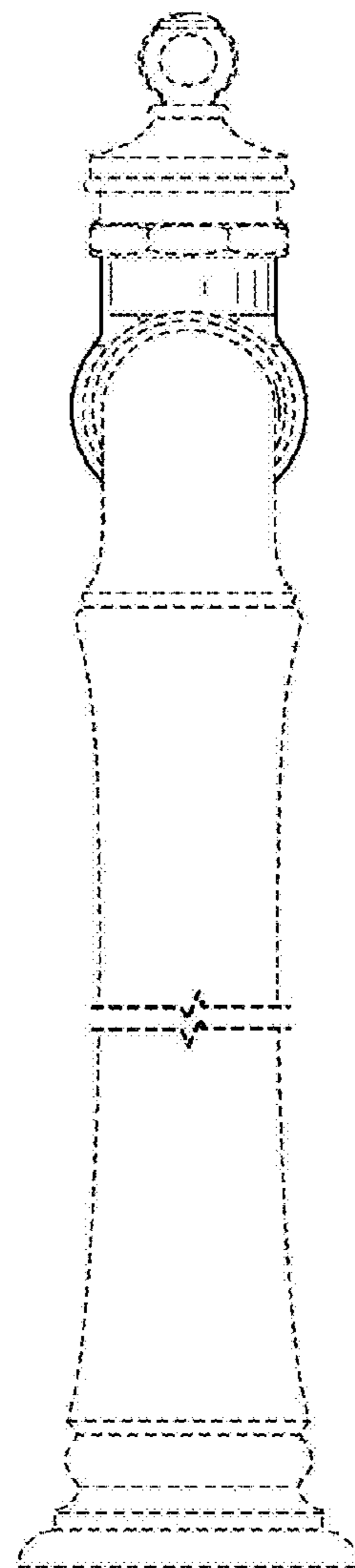
**FIG. 2**



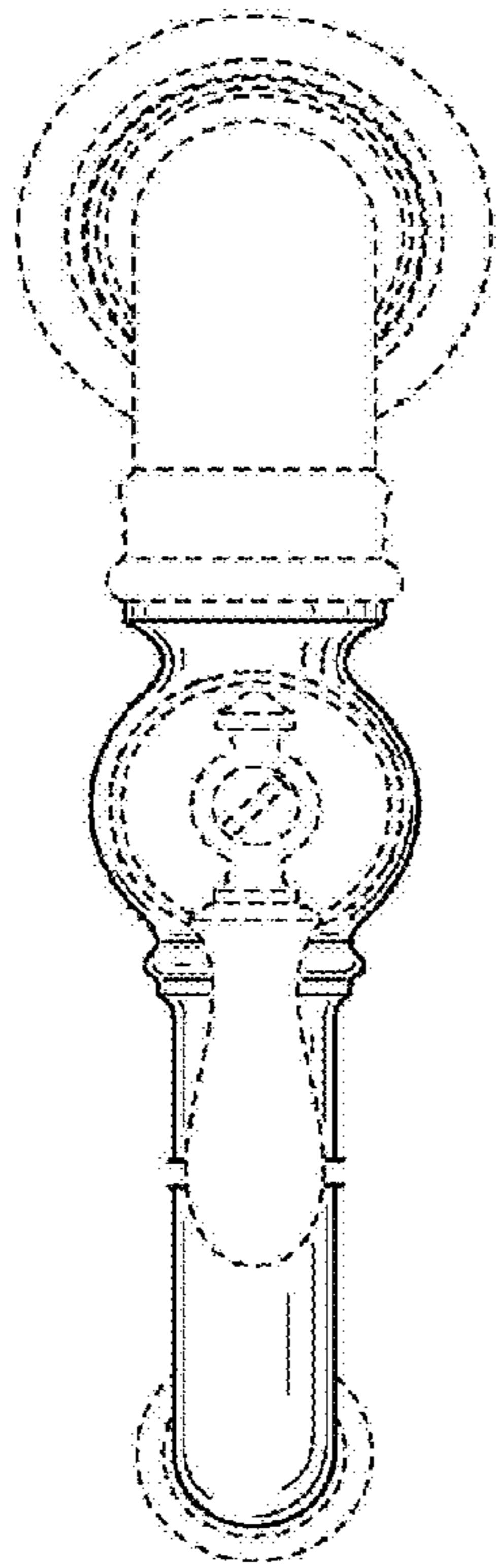
**FIG. 3**



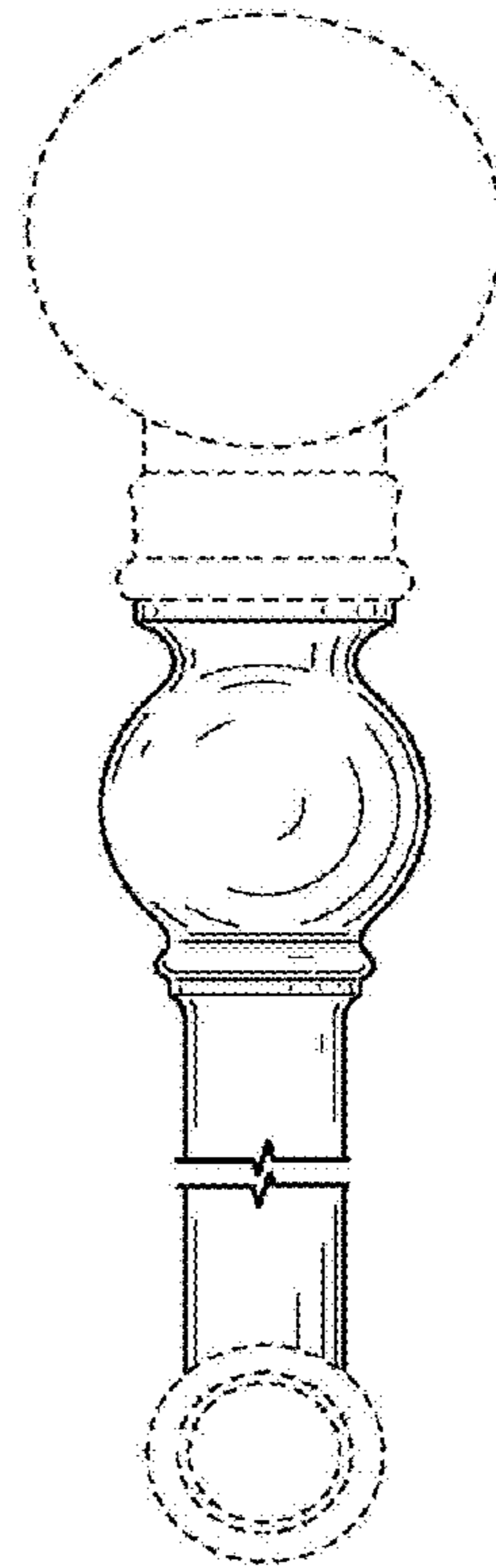
**FIG. 4**



**FIG. 5**



**FIG. 6**



**FIG. 7**