



US00D751178S

(12) **United States Design Patent**
Gibson

(10) **Patent No.:** **US D751,178 S**
(45) **Date of Patent:** **** Mar. 8, 2016**

(54) **PORTABLE MIST GENERATION APPARATUS**

(71) Applicant: **James Gibson**, Pak Kret (TH)

(72) Inventor: **James Gibson**, Pak Kret (TH)

(**) Term: **14 Years**

(21) Appl. No.: **29/497,792**

(22) Filed: **Jul. 29, 2014**

(51) **LOC (10) Cl.** **23-01**

(52) **U.S. Cl.**
USPC **D23/233**

(58) **Field of Classification Search**
USPC D23/233-269; 239/70, 263.1, 226, 264,
239/348, 351, 361, 341, 304, 149, 176, 369,
239/372, 399; 108/103, 139; 251/253, 351;
D9/682, 685

CPC B05B 17/0615; B05B 7/0012; B05B 5/057
See application file for complete search history.

(56) **References Cited**

U.S. PATENT DOCUMENTS

| | | | | |
|--------------|------|---------|-----------------|---------|
| 2,705,171 | A | 3/1955 | Ziherl | |
| 2,991,939 | A * | 7/1961 | Packard | 239/114 |
| 3,119,562 | A | 1/1964 | Tyler | |
| 3,136,487 | A | 6/1964 | Halaby | |
| 3,426,975 | A | 2/1969 | Gallo | |
| 3,522,911 | A | 8/1970 | Collins | |
| 3,763,888 | A * | 10/1973 | Duecker | 137/893 |
| 3,989,190 | A | 11/1976 | Englehart | |
| 4,177,949 | A | 12/1979 | Curtis et al. | |
| 4,721,246 | A | 1/1988 | Lefebvre et al. | |
| 5,054,687 | A * | 10/1991 | Burns et al. | 239/373 |
| 5,099,182 | A | 3/1992 | Isaacson et al. | |
| 6,749,133 | B1 * | 6/2004 | Ketcham et al. | 239/318 |
| 7,086,610 | B2 * | 8/2006 | Hubmann et al. | 239/310 |
| 8,016,212 | B2 * | 9/2011 | Hubmann et al. | 239/310 |
| 8,336,789 | B2 * | 12/2012 | Kuo | 239/226 |
| 2001/0023900 | A1 * | 9/2001 | Stewart et al. | 239/304 |

| | | | | |
|--------------|------|--------|----------------|---------|
| 2009/0173806 | A1 * | 7/2009 | Gavin | 239/310 |
| 2010/0163645 | A1 * | 7/2010 | Johnson et al. | 239/338 |
| 2012/0031999 | A1 * | 2/2012 | Hubmann et al. | 239/318 |

FOREIGN PATENT DOCUMENTS

| | | |
|----|-----------|--------|
| CN | 102896060 | 1/2013 |
| CN | 202762584 | 3/2013 |

* cited by examiner

Primary Examiner — Cynthia Ramirez

Assistant Examiner — Gino Colan

(74) *Attorney, Agent, or Firm* — Robinson IP Law, PLLC

(57) **CLAIM**

The ornamental design for a portable mist generation apparatus, as shown and described.

DESCRIPTION

FIG. 1 is a perspective view of the portable mist generation apparatus of my new design;

FIG. 2 is a front view of the portable mist generation apparatus of my new design;

FIG. 3 is a rear view of the portable mist generation apparatus of my new design;

FIG. 4 is a left view of the portable mist generation apparatus of my new design;

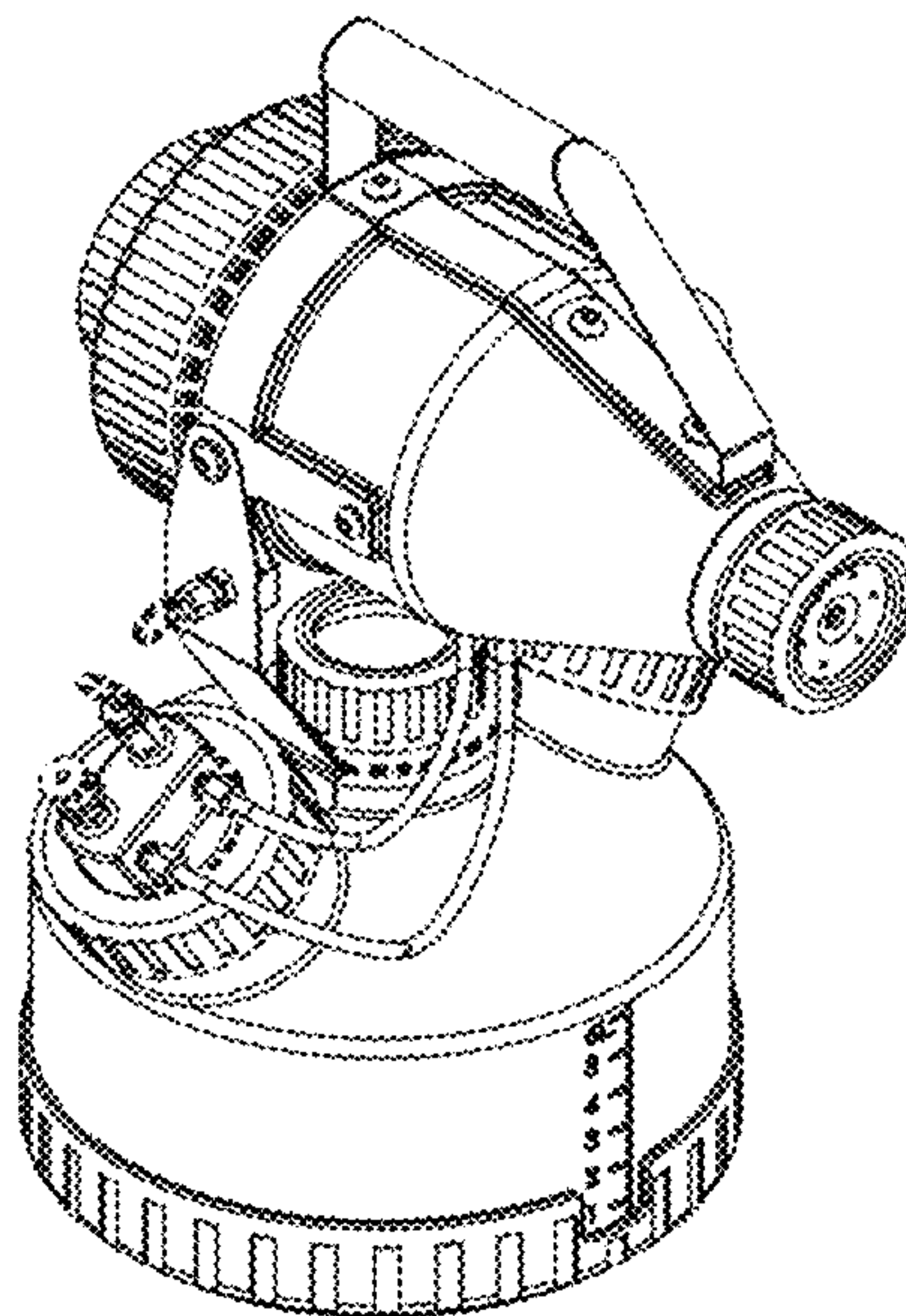
FIG. 5 is a right view of the portable mist generation apparatus of my new design;

FIG. 6 is a top view of the portable mist generation apparatus of my new design; and,

FIG. 7 is a bottom view of the portable mist generation apparatus of my new design.

The broken lines shown in the figures are included for the purpose of illustrating environment and forms no part of the claimed design.

1 Claim, 7 Drawing Sheets



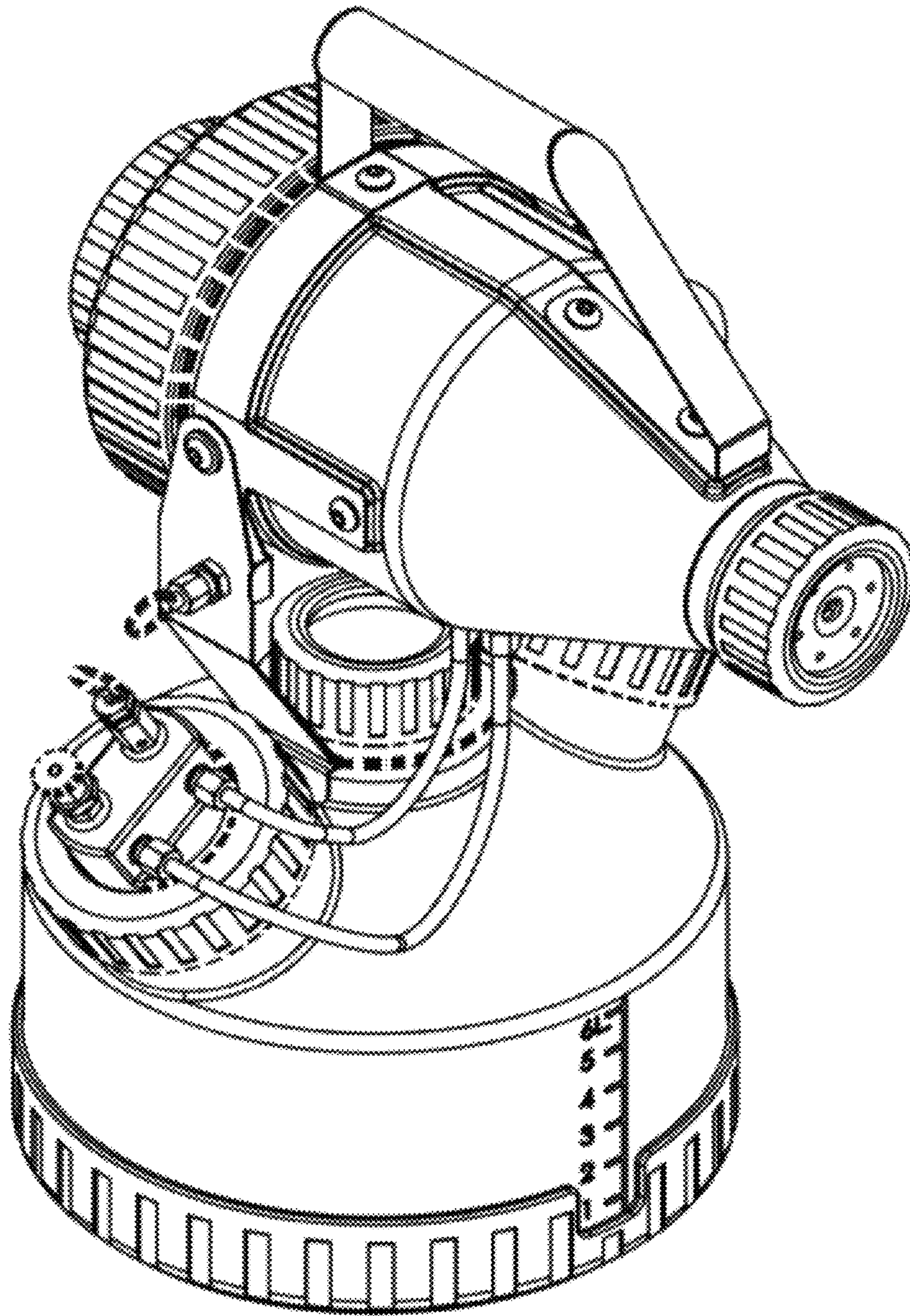


FIG. 1

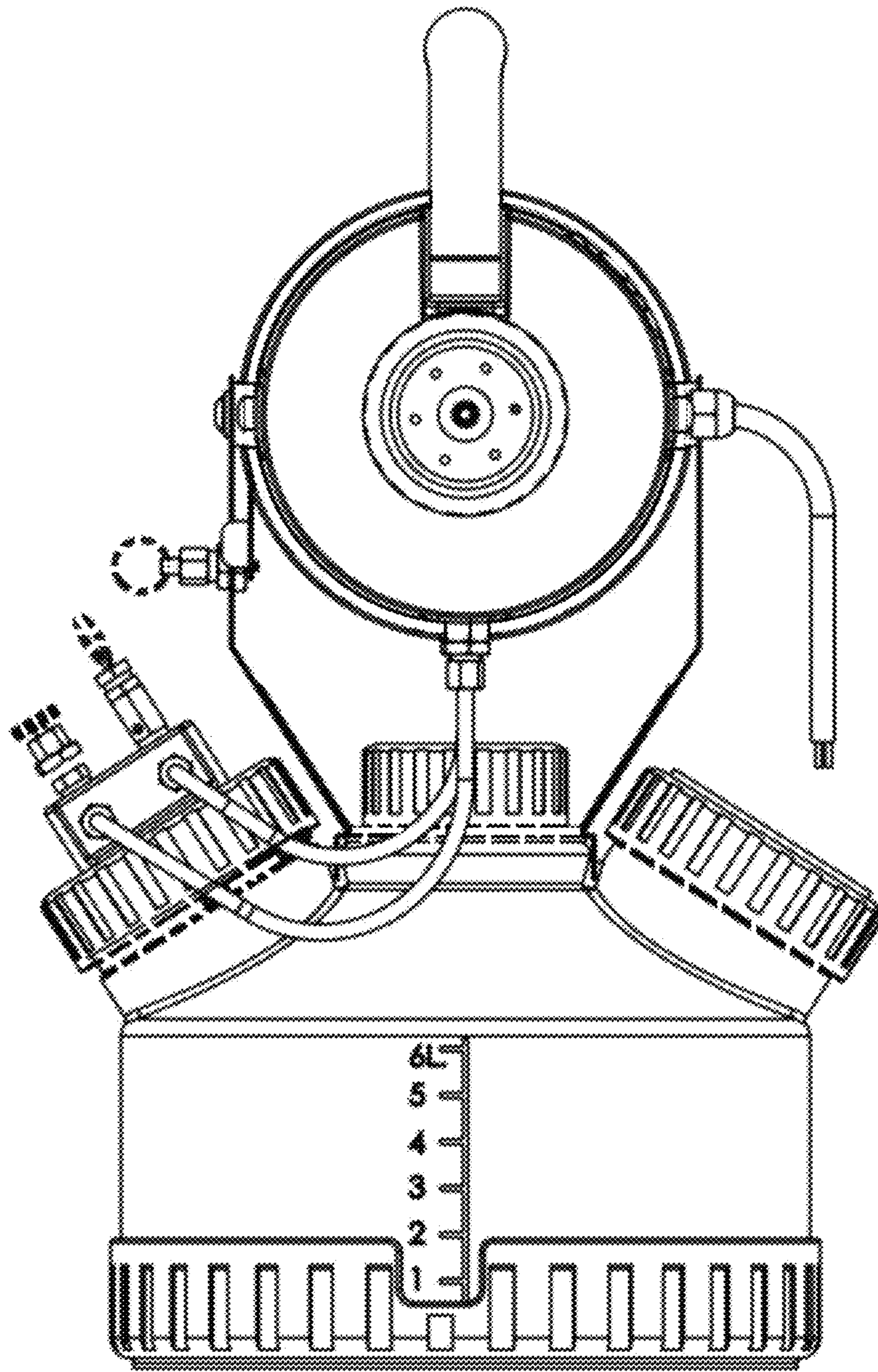


FIG. 2

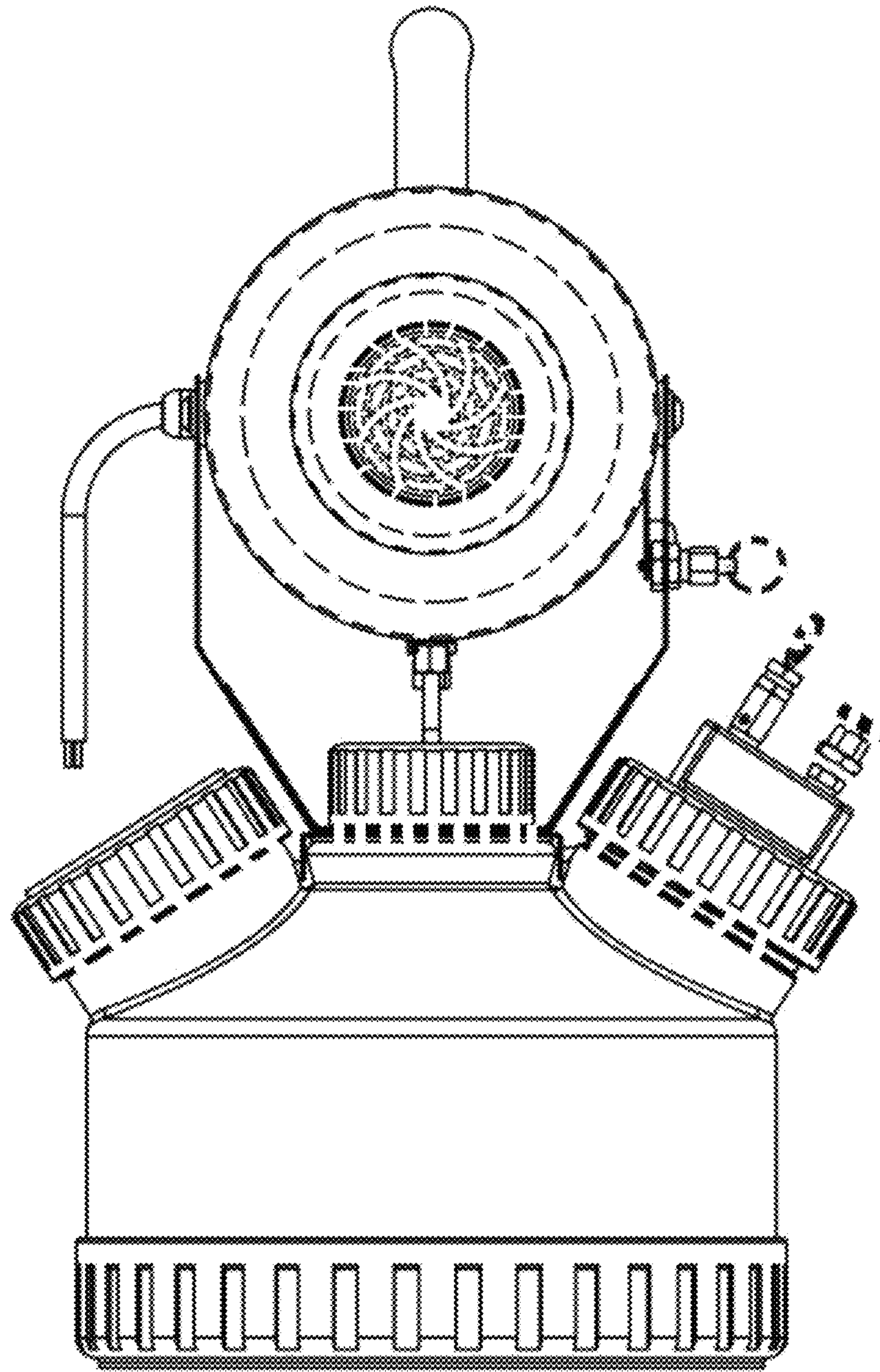


FIG. 3

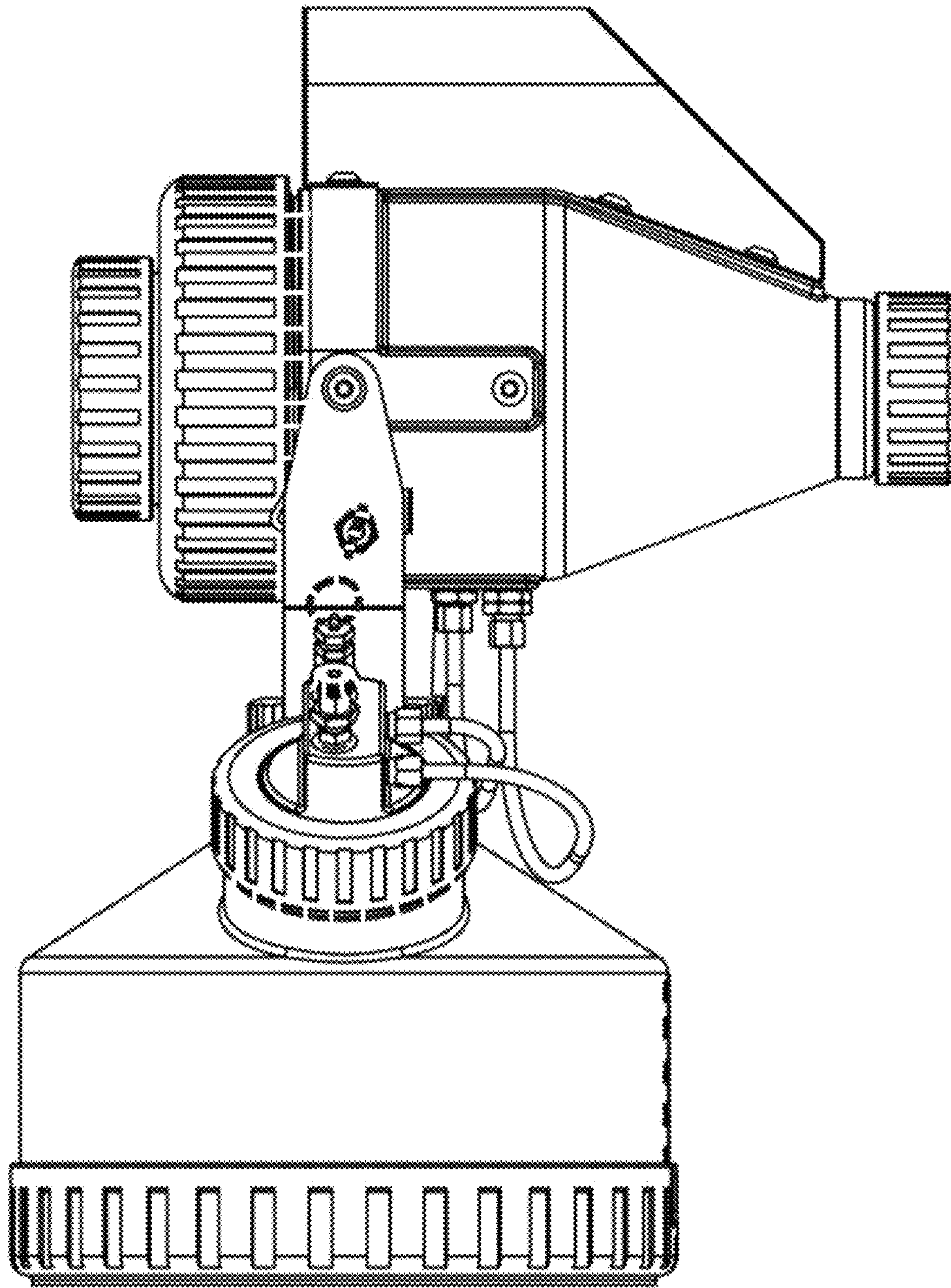


FIG. 4

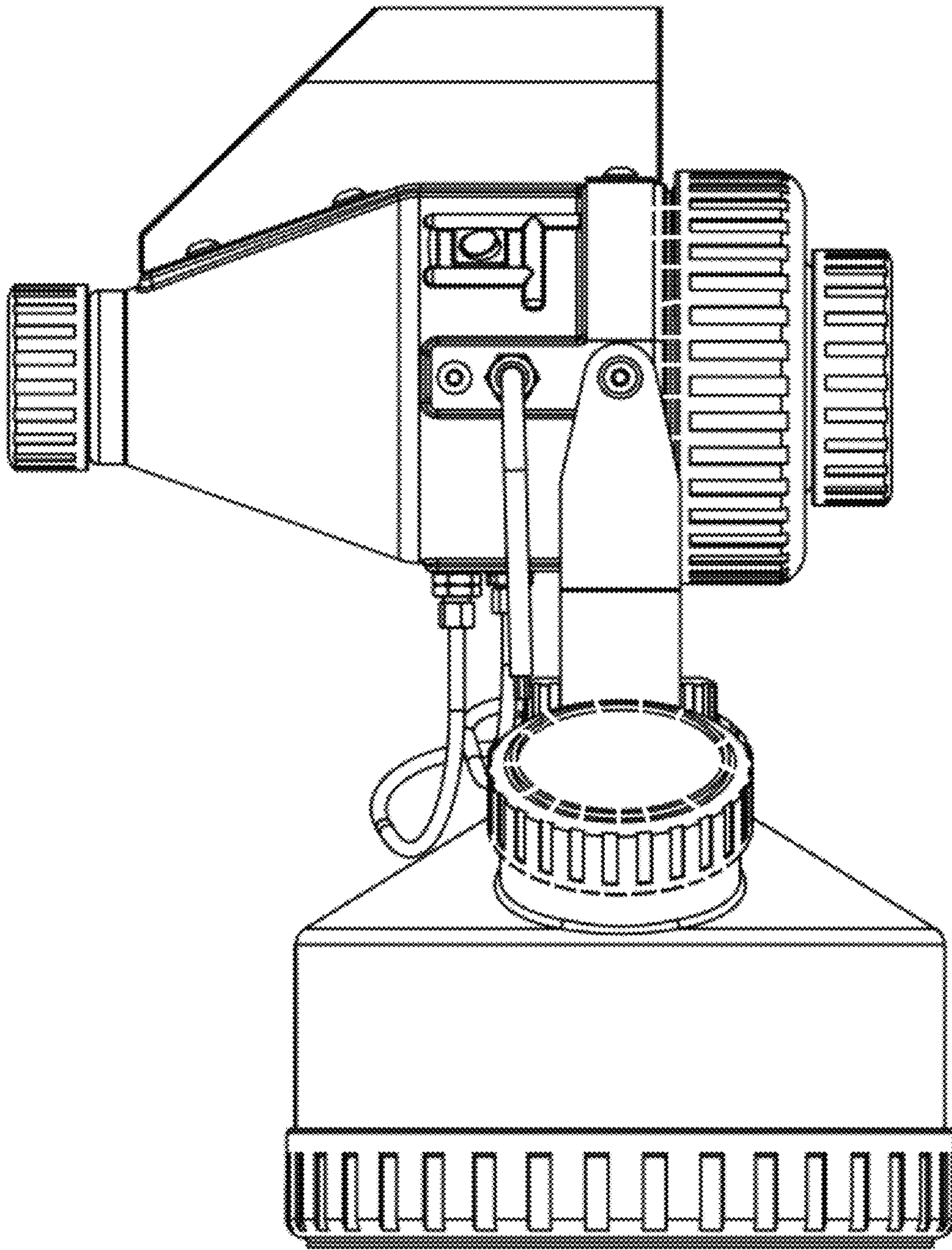


FIG. 5

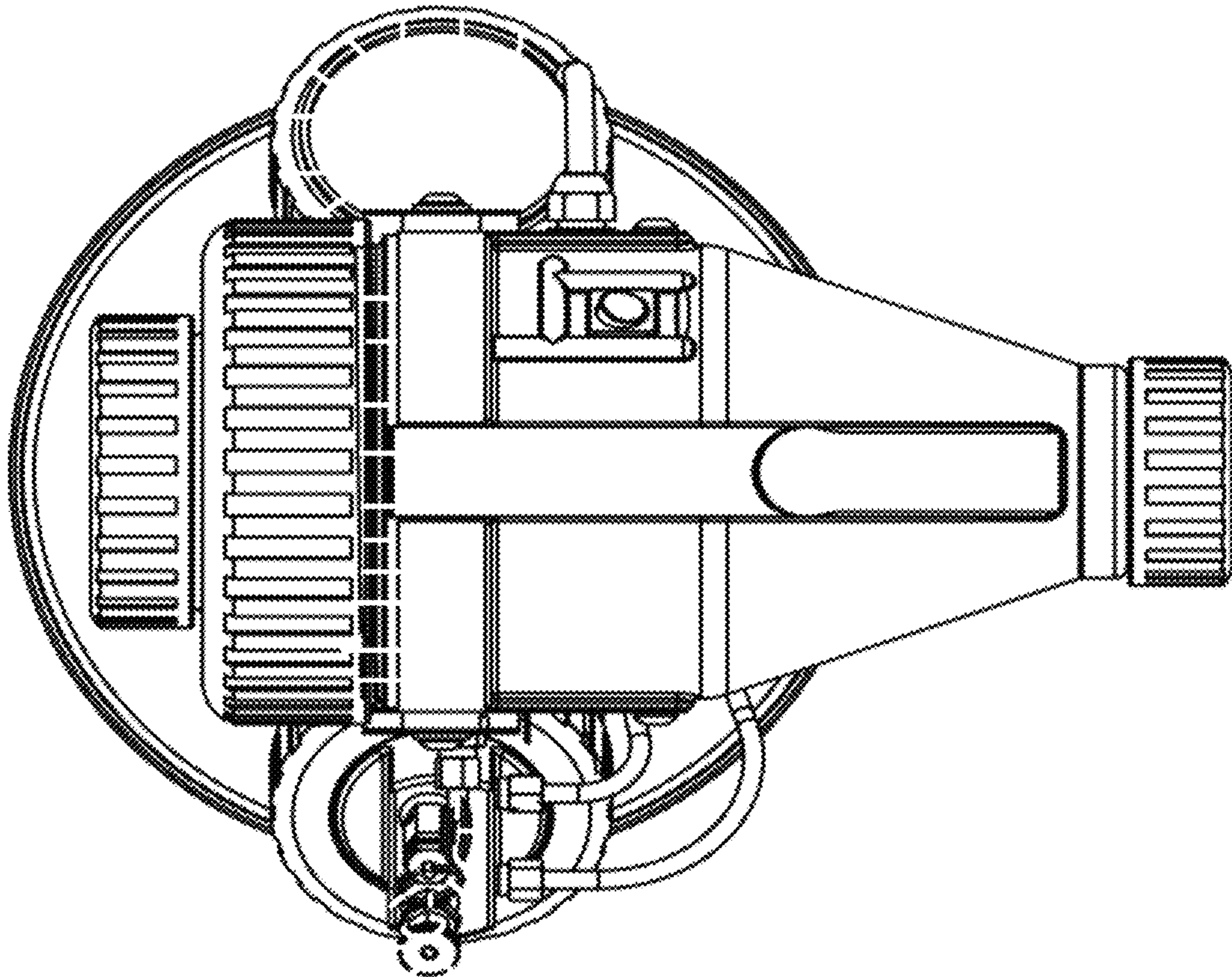


FIG. 6

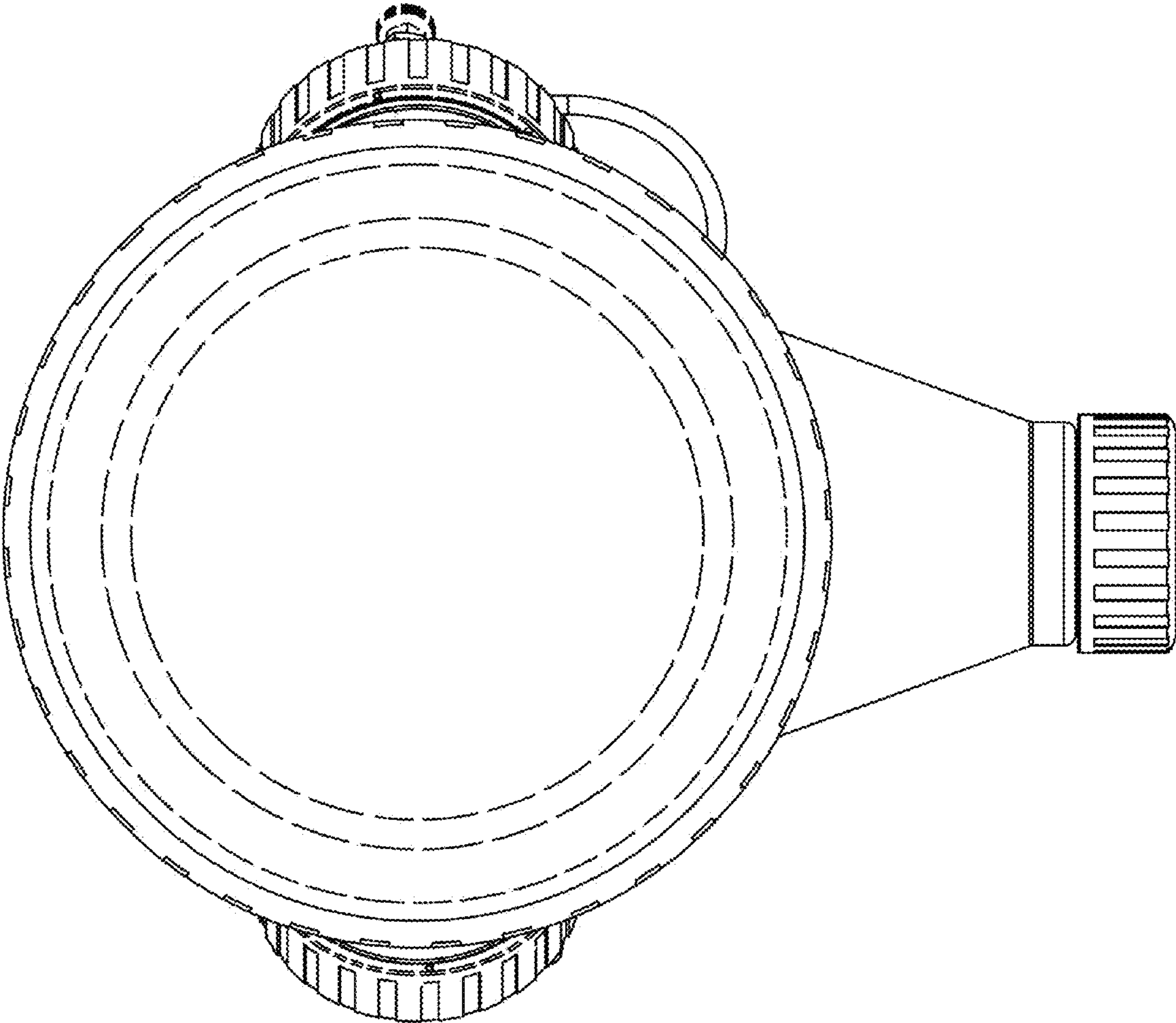


FIG. 7