



US00D751177S

(12) **United States Design Patent**
Ryu

(10) **Patent No.:** **US D751,177 S**
(45) **Date of Patent:** **** Mar. 8, 2016**

(54) **WALL-MOUNTED SHOWER**

(56) **References Cited**

(71) Applicant: **CEBIEN CO., LTD.**, Gwangju-si (KR)

U.S. PATENT DOCUMENTS

(72) Inventor: **In-Shik Ryu**, Seongnam-si (KR)

| | | | | | |
|-----------|------|---------|-----------|-------|-------------------------|
| 7,721,363 | B2 * | 5/2010 | Huang | | E03C 1/066 248/122.1 |
| D648,825 | S * | 11/2011 | Ando | | D23/228 |
| D702,817 | S * | 4/2014 | Ryu | | D23/228 |
| D704,301 | S * | 5/2014 | Standefer | | D23/228 |
| D708,705 | S * | 7/2014 | Ryu | | D23/228 |

(73) Assignee: **CEBIEN CO., LTD.**, Gwangju-si (KR)

(**) Term: **14 Years**

* cited by examiner

(21) Appl. No.: **29/501,862**

Primary Examiner — Robin V Webster

(22) Filed: **Sep. 9, 2014**

(74) *Attorney, Agent, or Firm* — Arent Fox LLP

(30) **Foreign Application Priority Data**

(57) **CLAIM**

The ornamental design for a wall-mounted shower, as shown and described.

Sep. 3, 2014 (KR) 30-2014-0043124

DESCRIPTION

(51) **LOC (10) Cl.** **23-01**

FIG. 1 is a perspective view of a wall-mounted shower showing my new design;

(52) **U.S. Cl.**

FIG. 2 is a front view of the design shown in FIG. 1;

USPC **D23/228**; D23/304

FIG. 3 is a rear view of the design shown in FIG. 1;

(58) **Field of Classification Search**

USPC D23/213, 229, 230, 228, 304; 239/596,

FIG. 4 is a left side view of the design shown in FIG. 1;

239/597, 600

FIG. 5 is a right side view of the design shown in FIG. 1;

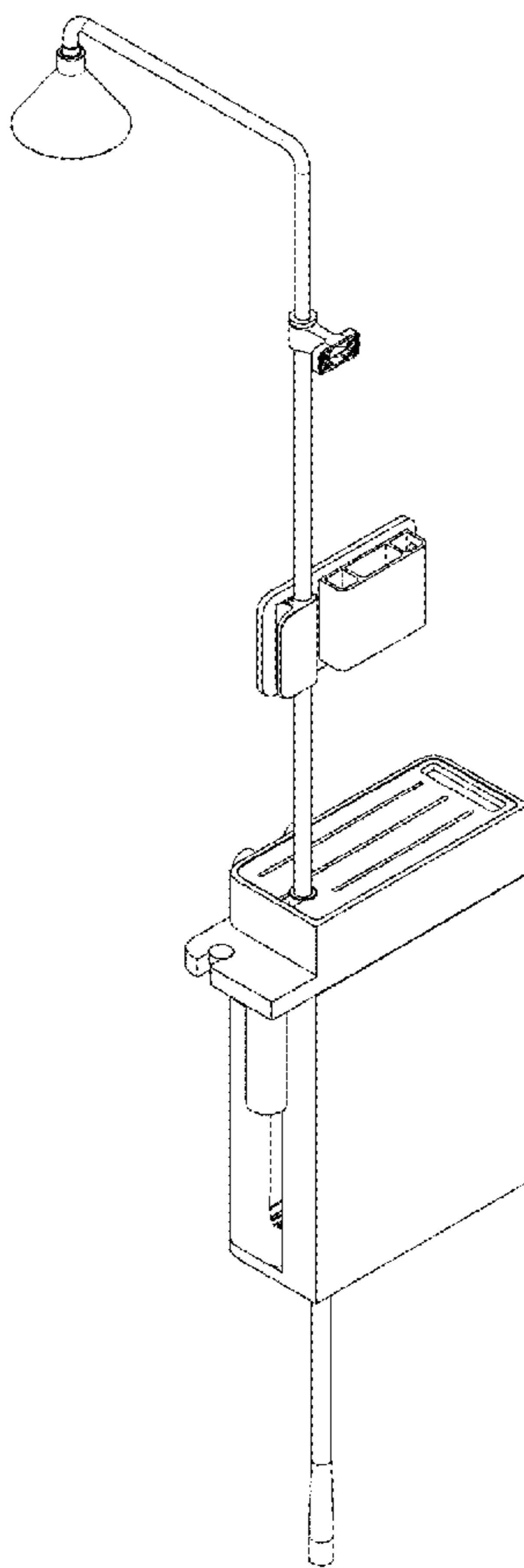
CPC E03C 1/06; A47K 3/28

FIG. 6 is a top view of the design shown in FIG. 1; and,

See application file for complete search history.

FIG. 7 is a bottom view of the design shown in FIG. 1.

1 Claim, 6 Drawing Sheets



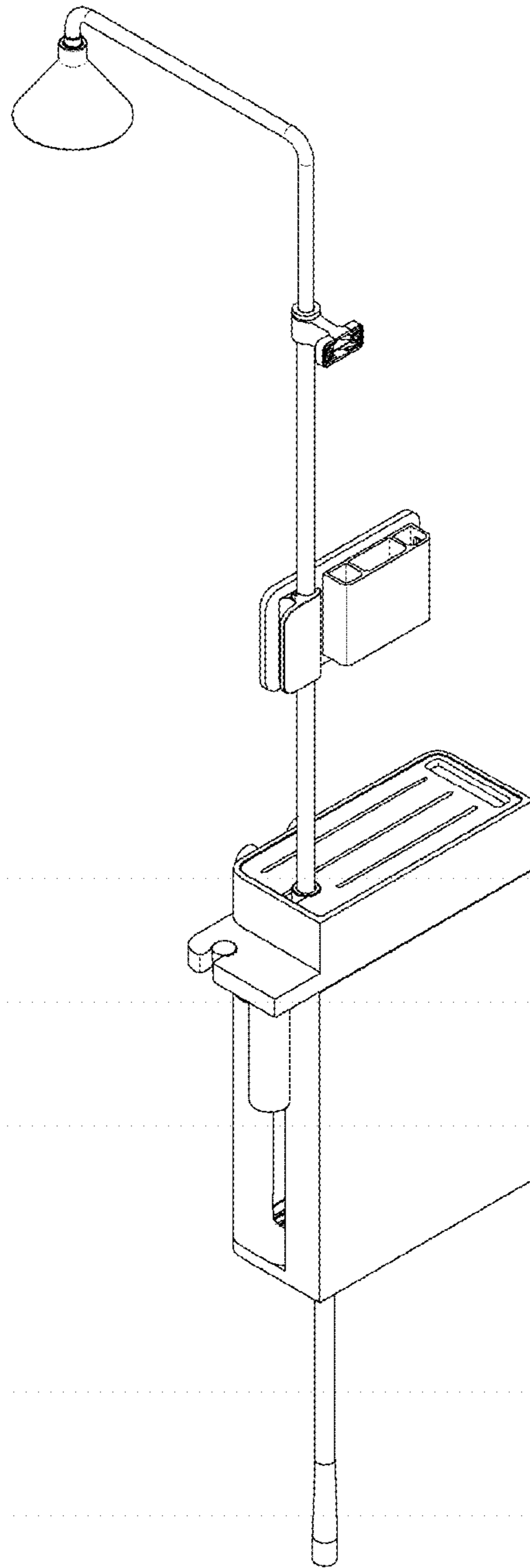


FIG. 1

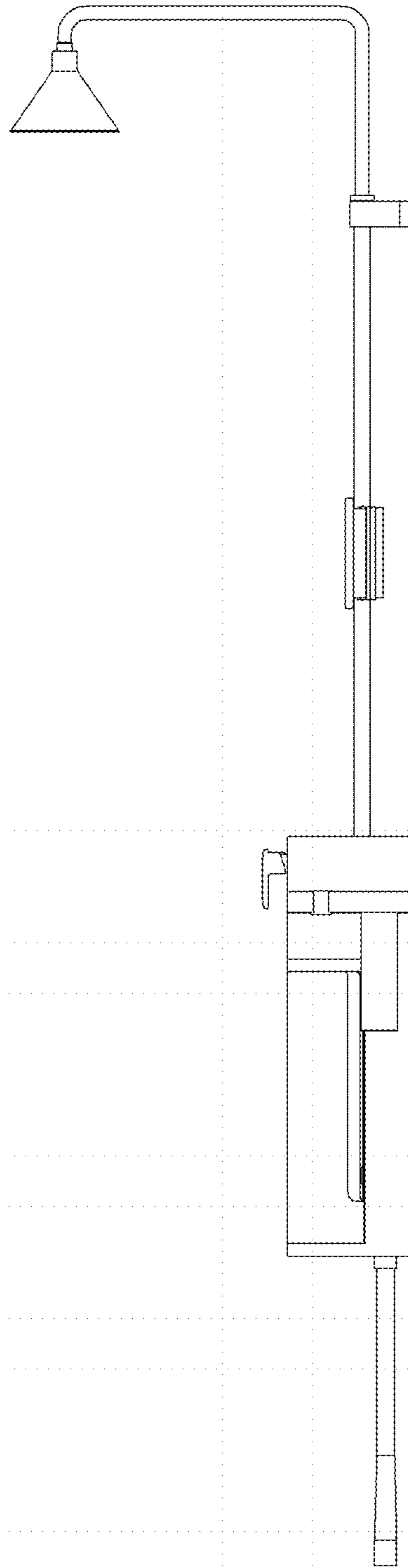


FIG. 2

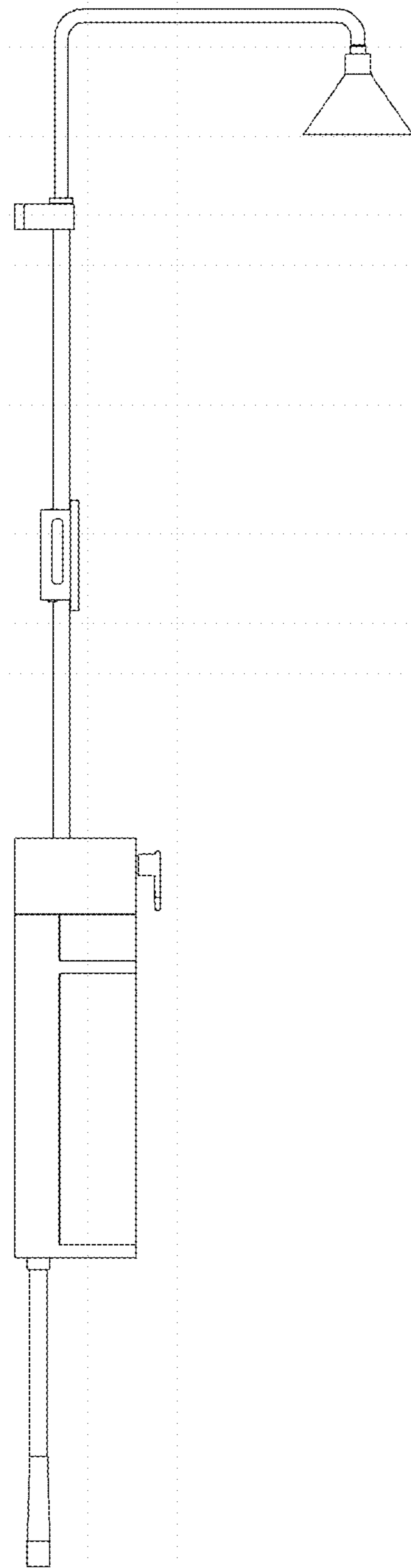


FIG. 3

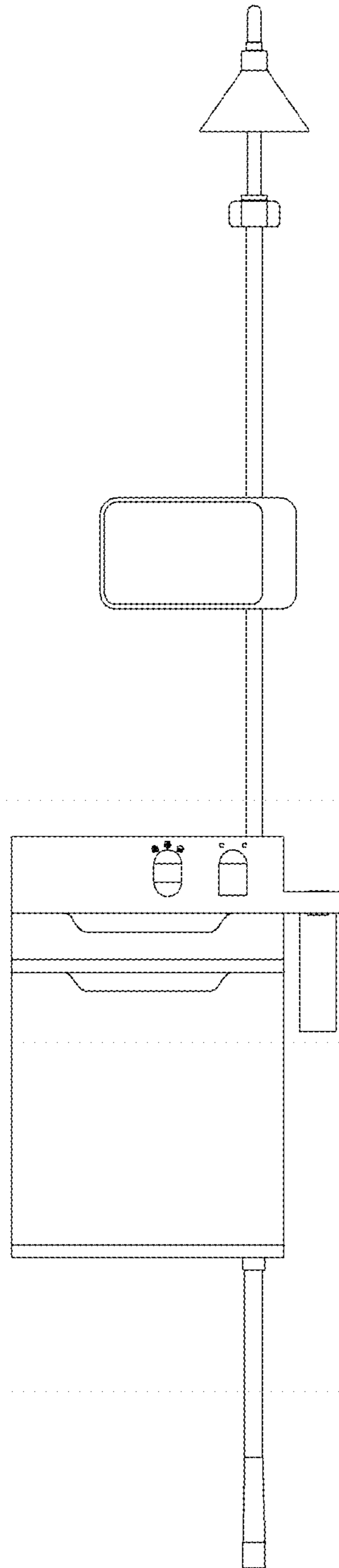


FIG. 4

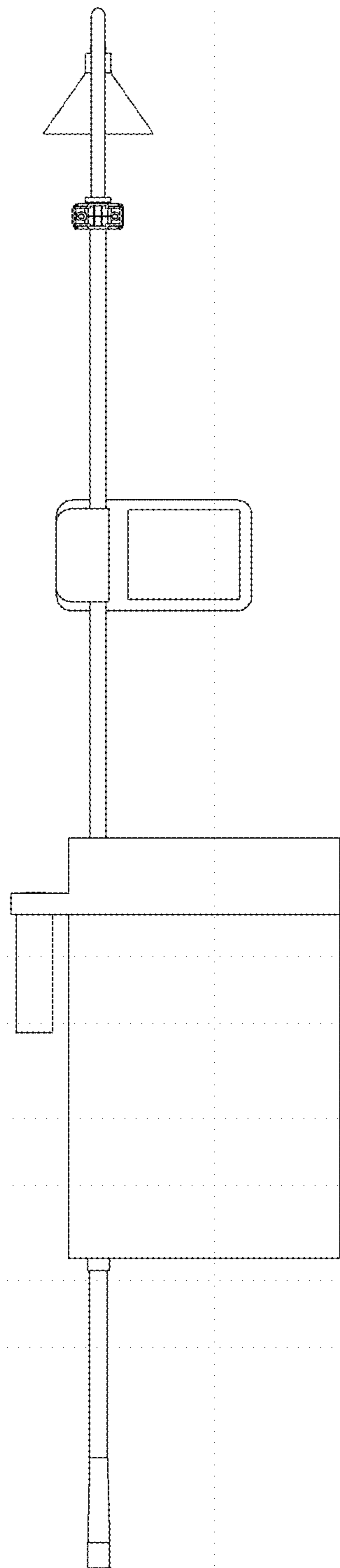


FIG. 5

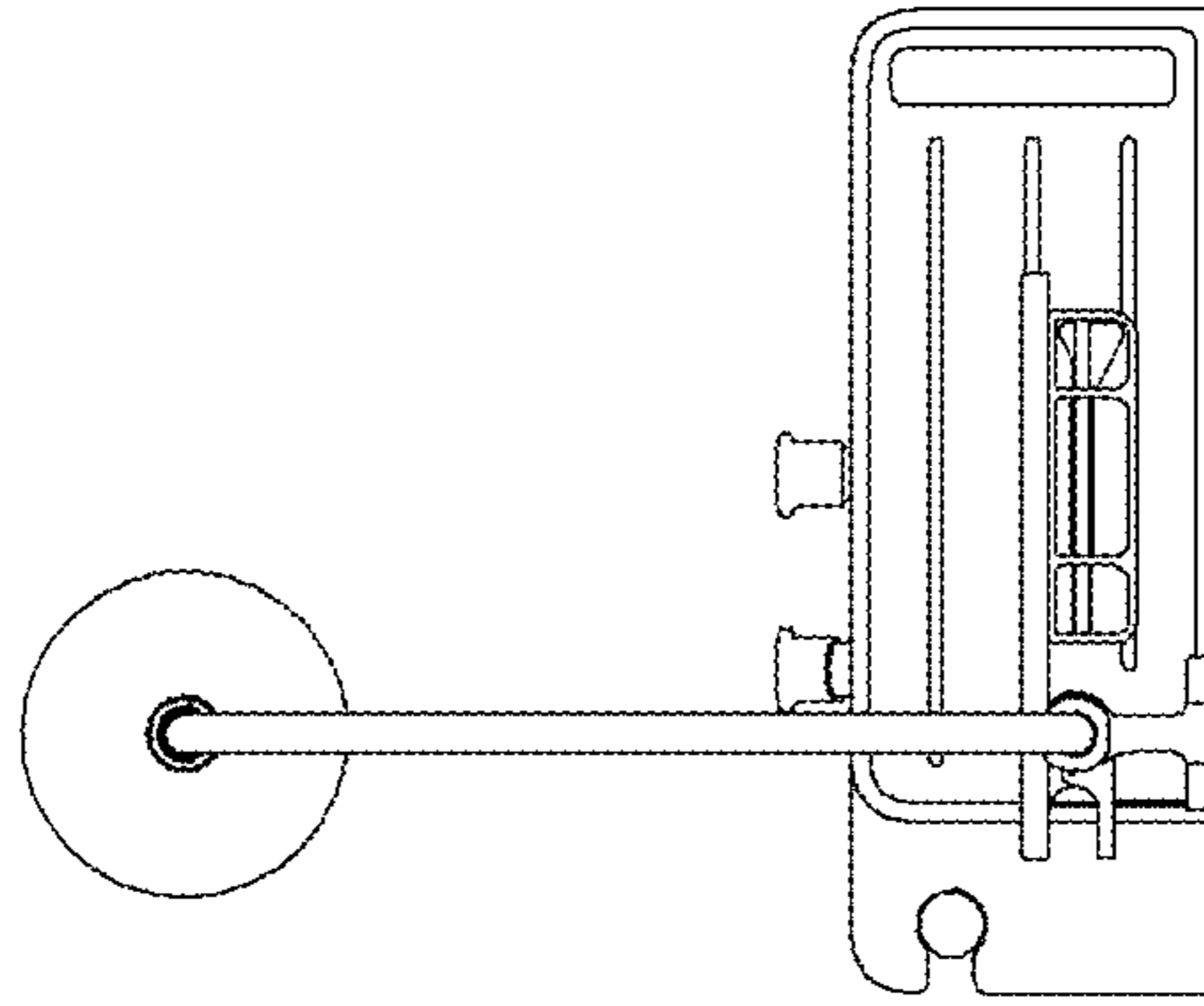


FIG. 6

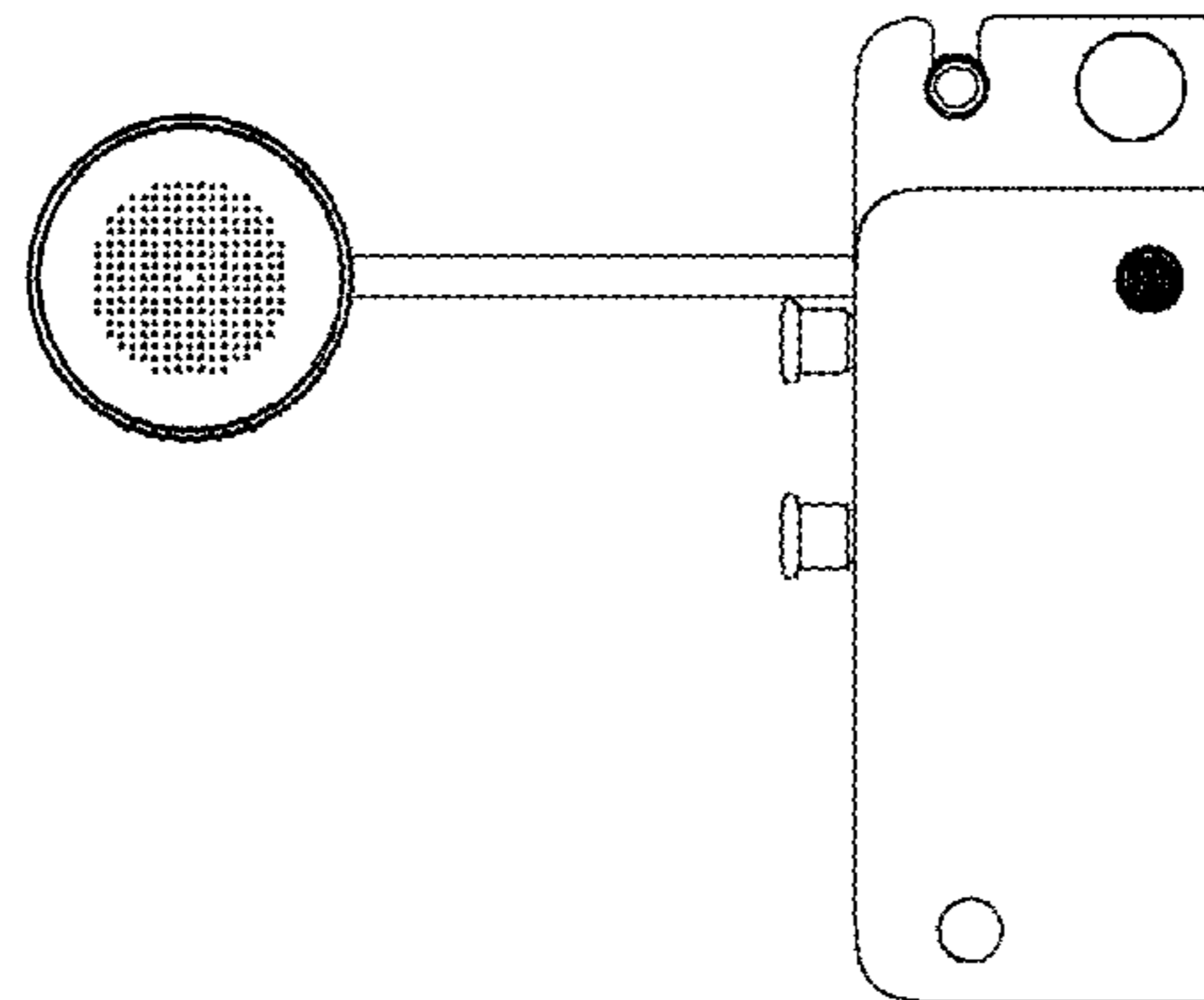


FIG. 7