

US00D751176S

(12) **United States Design Patent**
Schoenherr et al.

(10) **Patent No.:** **US D751,176 S**
(45) **Date of Patent:** **** Mar. 8, 2016**

(54) **OVERHEAD SHOWER**
(71) Applicant: **Hansgrohe SE**, Schiltach (DE)
(72) Inventors: **Tom Schoenherr**, Stuttgart (DE);
Matthias Oesterle, Winterbach (DE)

D649,623 S * 11/2011 Flowers D23/213
D694,357 S 11/2013 Brodey et al.
D694,358 S * 11/2013 Schoenherr D23/213
D694,359 S * 11/2013 Schoenherr D23/213
D707,328 S 6/2014 Schoenherr et al.
D713,496 S * 9/2014 Schoenherr D23/213
D733,257 S * 6/2015 Schoenherr D23/213
D738,991 S * 9/2015 Brodey D23/213

(73) Assignee: **Hansgrohe SE**, Schiltach (DE)
(**) Term: **14 Years**

FOREIGN PATENT DOCUMENTS

(21) Appl. No.: **29/516,599**
(22) Filed: **Feb. 4, 2015**

CN 302280818 1/2013
EM 001845660-0021 4/2011
EM 001845660-0024 4/2011
EM 001377097-0198 7/2013
EM 002495259-0002 7/2014

(30) **Foreign Application Priority Data**
Aug. 7, 2014 (EM) 002516658-0004
(51) **LOC (10) Cl.** **23-01**
(52) **U.S. Cl.**
USPC **D23/213**
(58) **Field of Classification Search**
USPC D23/213, 229, 230; 4/615, 617;
239/282, 283
CPC B05B 1/00; B05B 1/18
See application file for complete search history.

* cited by examiner

Primary Examiner — Robin V Webster
(74) *Attorney, Agent, or Firm* — Lora J. Graentzdoerffer

(56) **References Cited**
U.S. PATENT DOCUMENTS
D531,260 S * 10/2006 Luo D23/213
D559,952 S * 1/2008 Bickler D23/213
D562,937 S * 2/2008 Schonherr D23/213
D590,046 S * 4/2009 Starck D23/213
D627,429 S * 11/2010 Gessi D23/213
D639,384 S * 6/2011 Flowers D23/213
D639,385 S * 6/2011 Flowers D23/213

(57) **CLAIM**
The ornamental design for an overhead shower, as shown and described.

DESCRIPTION

FIG. 1 is a perspective view of an overhead shower showing our design;
FIG. 2 is a front elevation view;
FIG. 3 is a rear elevation view;
FIG. 4 is a left side elevation view;
FIG. 5 is a right side elevation view;
FIG. 6 is a top plan view; and,
FIG. 7 is a bottom plan view.
The broken-line disclosure in the views represents portions of the article in which the claimed design is embodied, but which form no part of the claimed design.

1 Claim, 7 Drawing Sheets

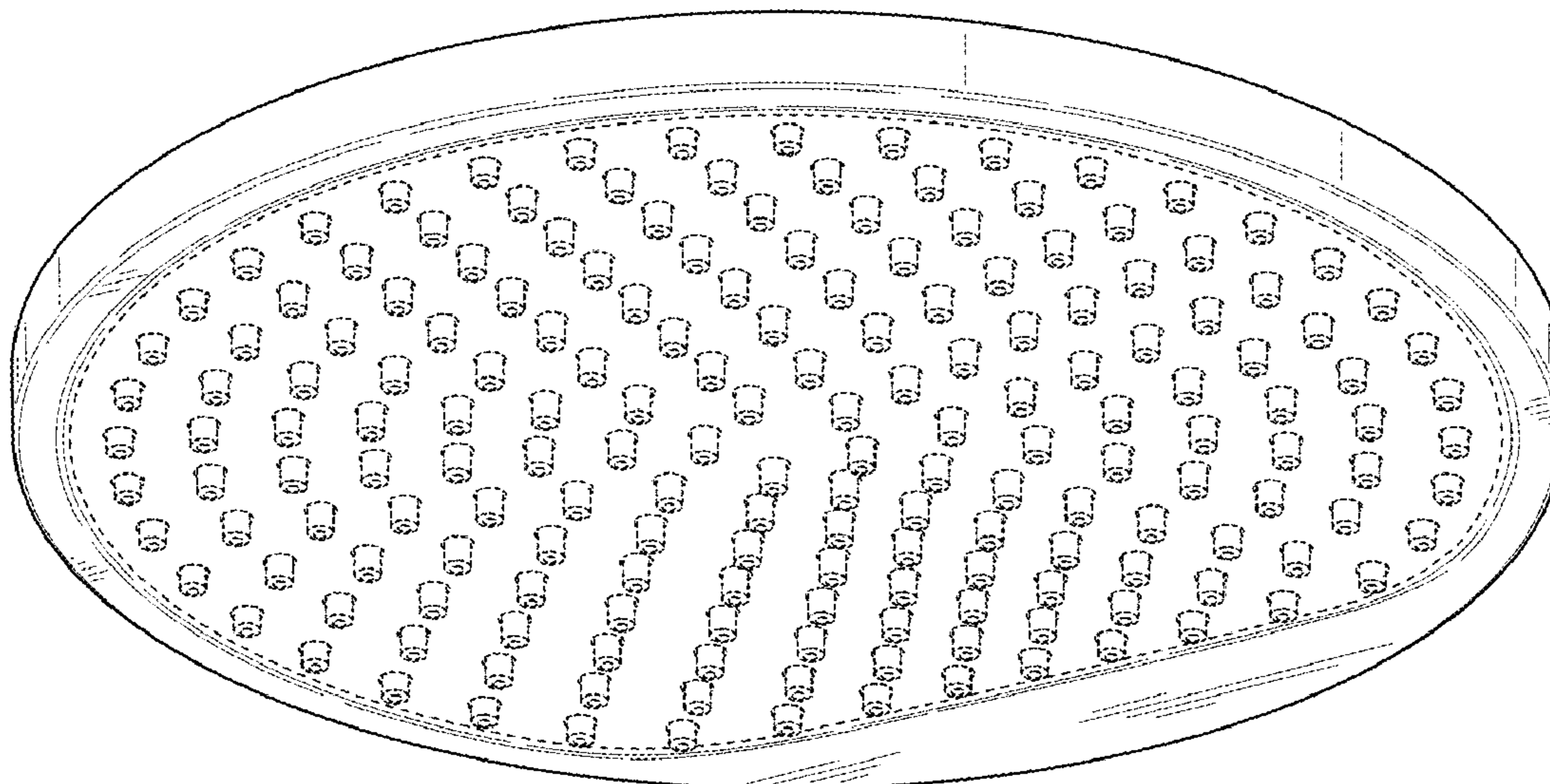


FIG. 1

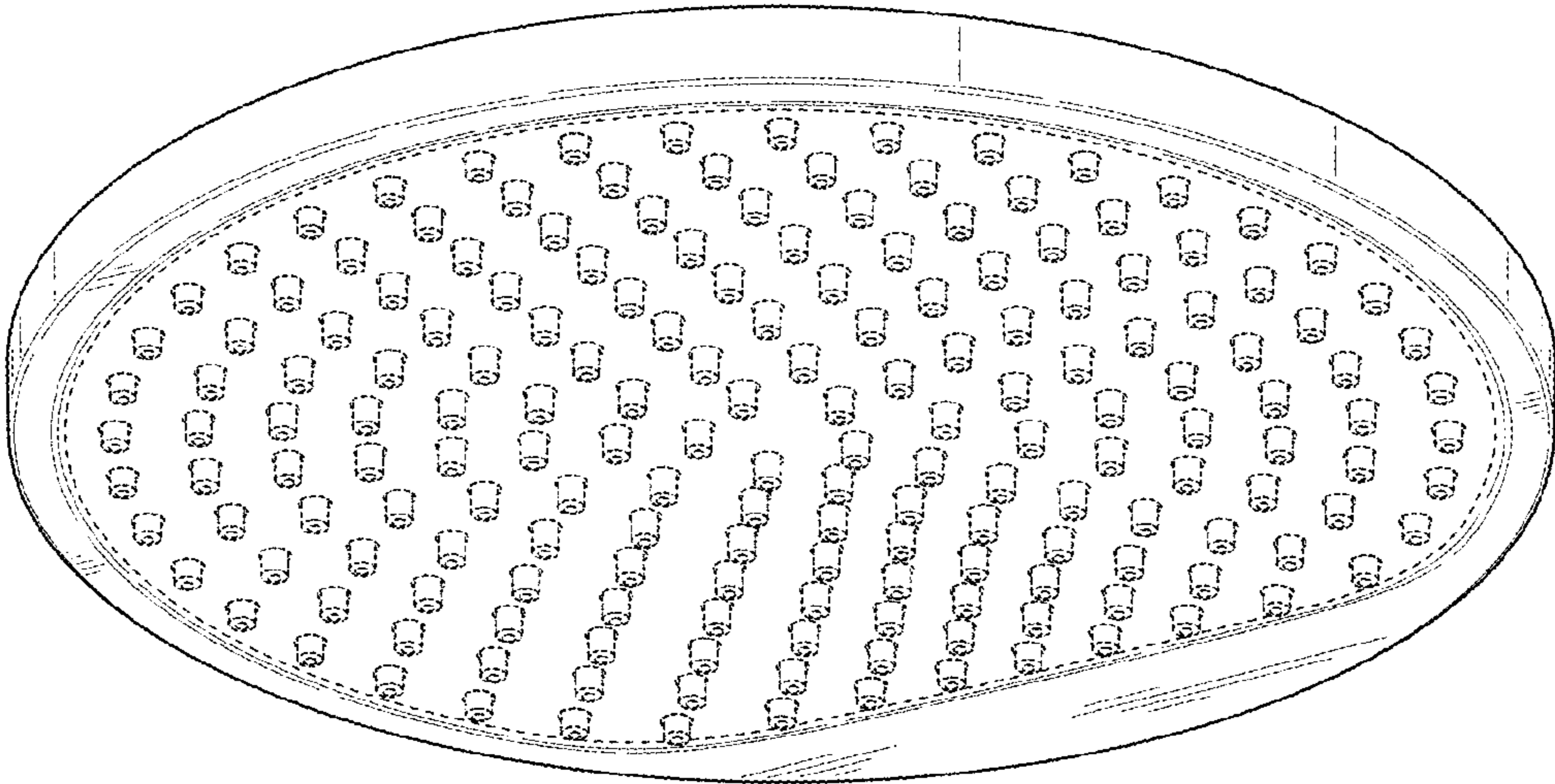


FIG. 2

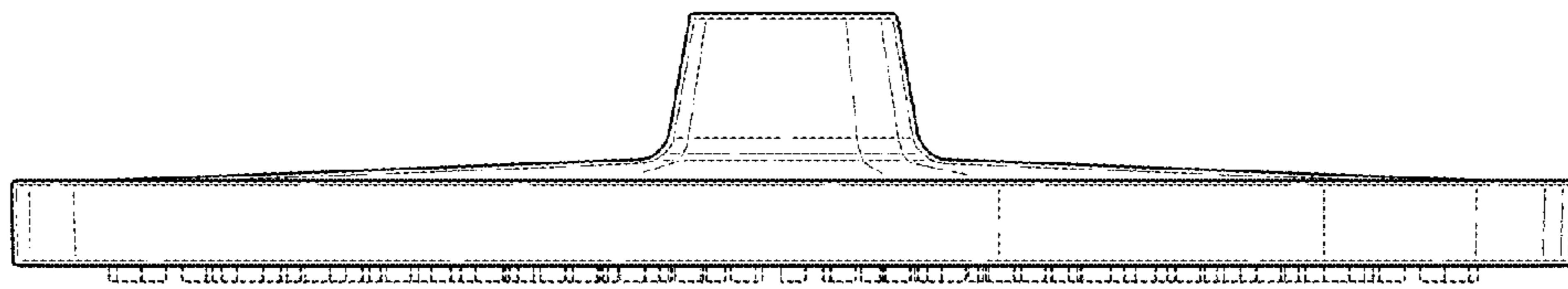


FIG. 3

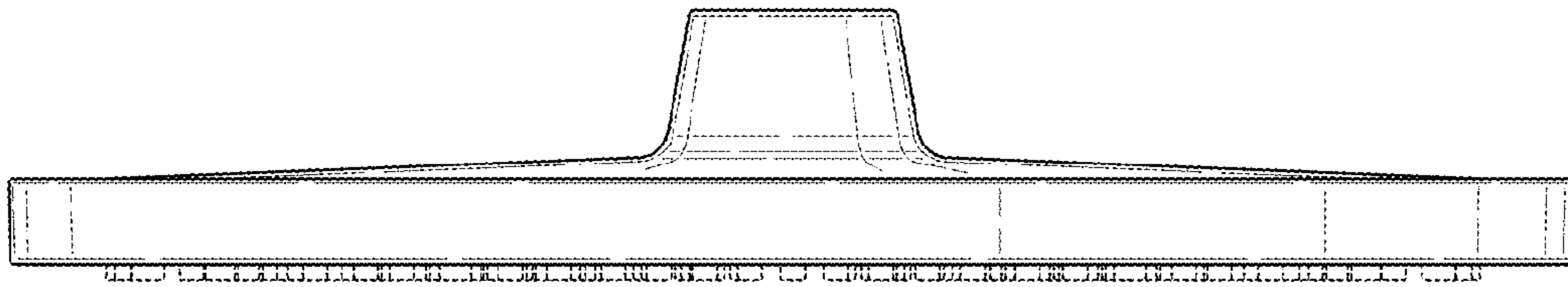


FIG. 4

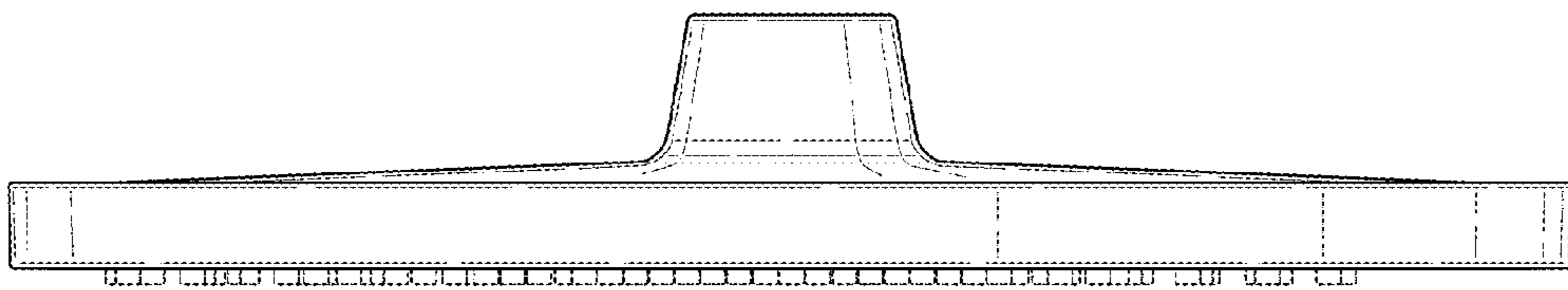


FIG. 5

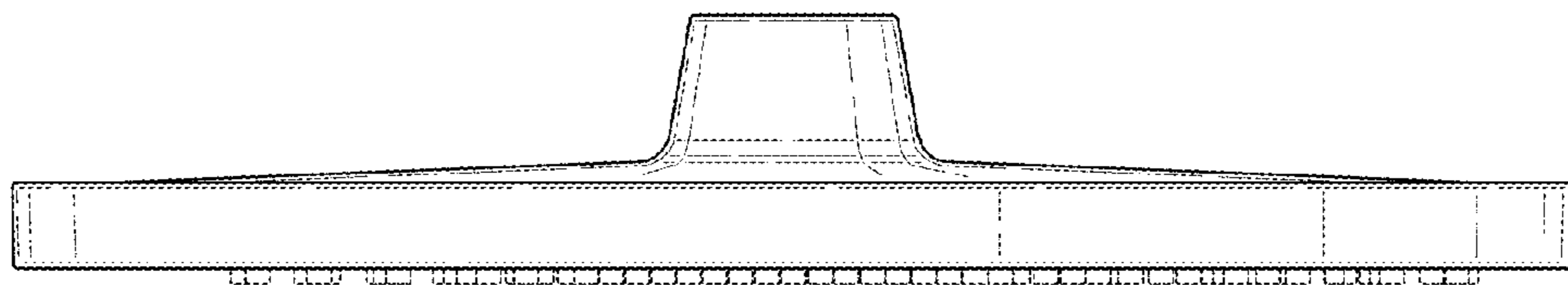


FIG. 6



FIG. 7

