



US00D751173S

(12) **United States Design Patent**
Bahler

(10) **Patent No.:** **US D751,173 S**
(45) **Date of Patent:** **** Mar. 8, 2016**

- (54) **SHOWERHEAD**
- (71) Applicant: **Delta Faucet Company**, Indianapolis, IN (US)
- (72) Inventor: **Jordan Renee Bahler**, Frankfort, IN (US)
- (73) Assignee: **DELTA FAUCET COMPANY**, Indianapolis, IN (US)
- (**) Term: **14 Years**
- (21) Appl. No.: **29/514,101**
- (22) Filed: **Jan. 8, 2015**
- (51) **LOC (10) Cl.** **23-01**
- (52) **U.S. Cl.**
USPC **D23/213**
- (58) **Field of Classification Search**
USPC D23/213, 229, 230, 201; 239/282, 283, 239/211, 587.1-587.5, 566; 4/615
CPC B05B 1/18; B05B 1/00; B05B 15/08; B05B 3/00
See application file for complete search history.

- 5,230,472 A * 7/1993 McCabe B05B 1/18 239/443
- D347,262 S * 5/1994 Black D23/230
- D398,370 S * 9/1998 Purdy D23/213
- D450,370 S * 11/2001 Wales D23/213
- D468,394 S * 1/2003 Cummings D23/213

* cited by examiner

Primary Examiner — Robin V Webster

(74) *Attorney, Agent, or Firm* — Edgar A. Zarins; Nirav D. Parikh

(57) **CLAIM**

The ornamental design for a showerhead, as shown and described.

DESCRIPTION

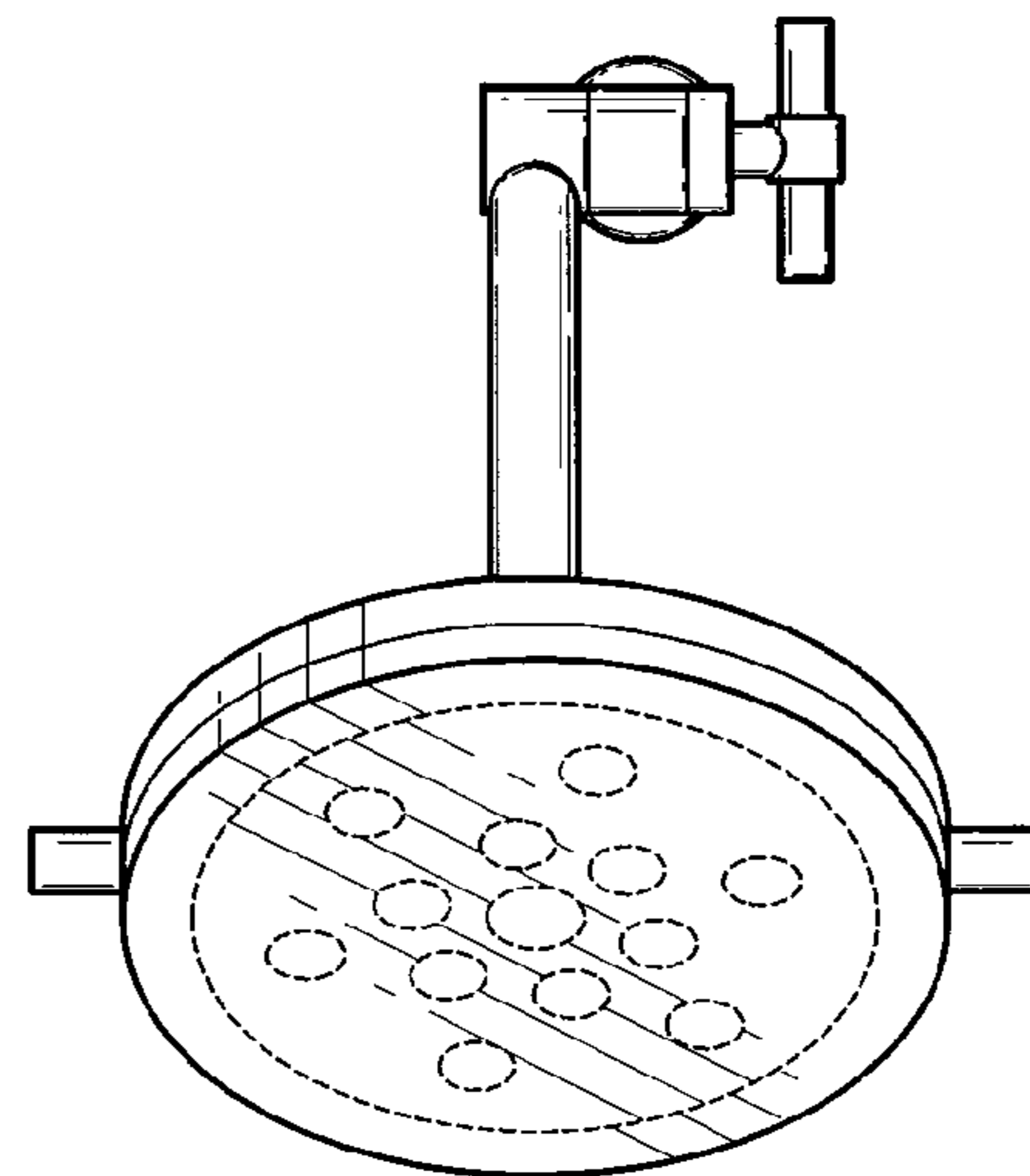
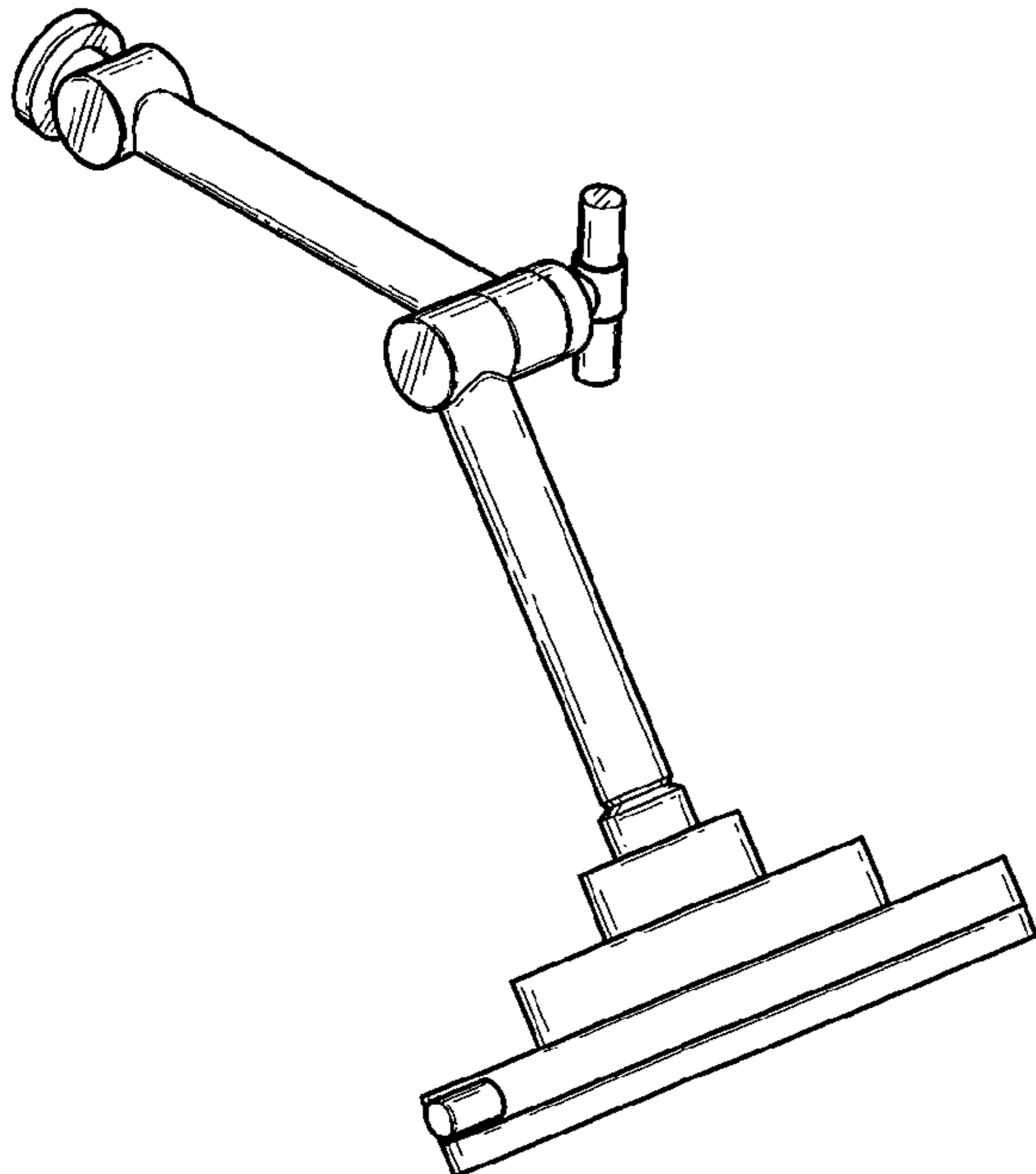
FIG. 1 is a perspective view of a showerhead showing my new design;
 FIG. 2 is a top plan view thereof;
 FIG. 3 is a bottom plan view thereof;
 FIG. 4 is a front view thereof;
 FIG. 5 is a left side view thereof; and,
 FIG. 6 is a right side view thereof.
 The broken line showing of the water spray openings in FIGS. 2 and 3, is included for the purpose of illustrating and forms no part of the claimed design.

(56) **References Cited**

U.S. PATENT DOCUMENTS

- D259,054 S * 4/1981 Petersons D23/230

1 Claim, 2 Drawing Sheets



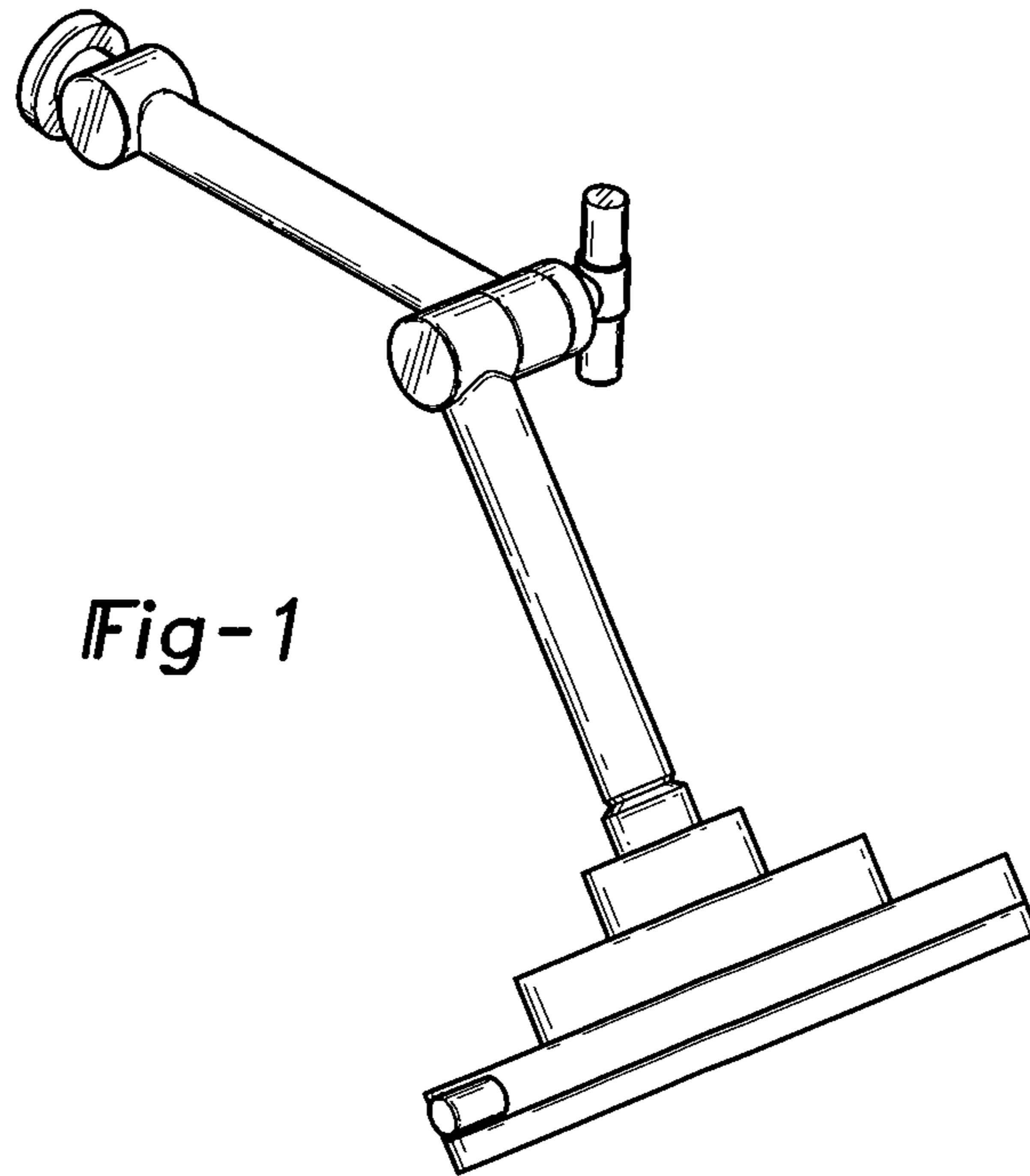


Fig-1

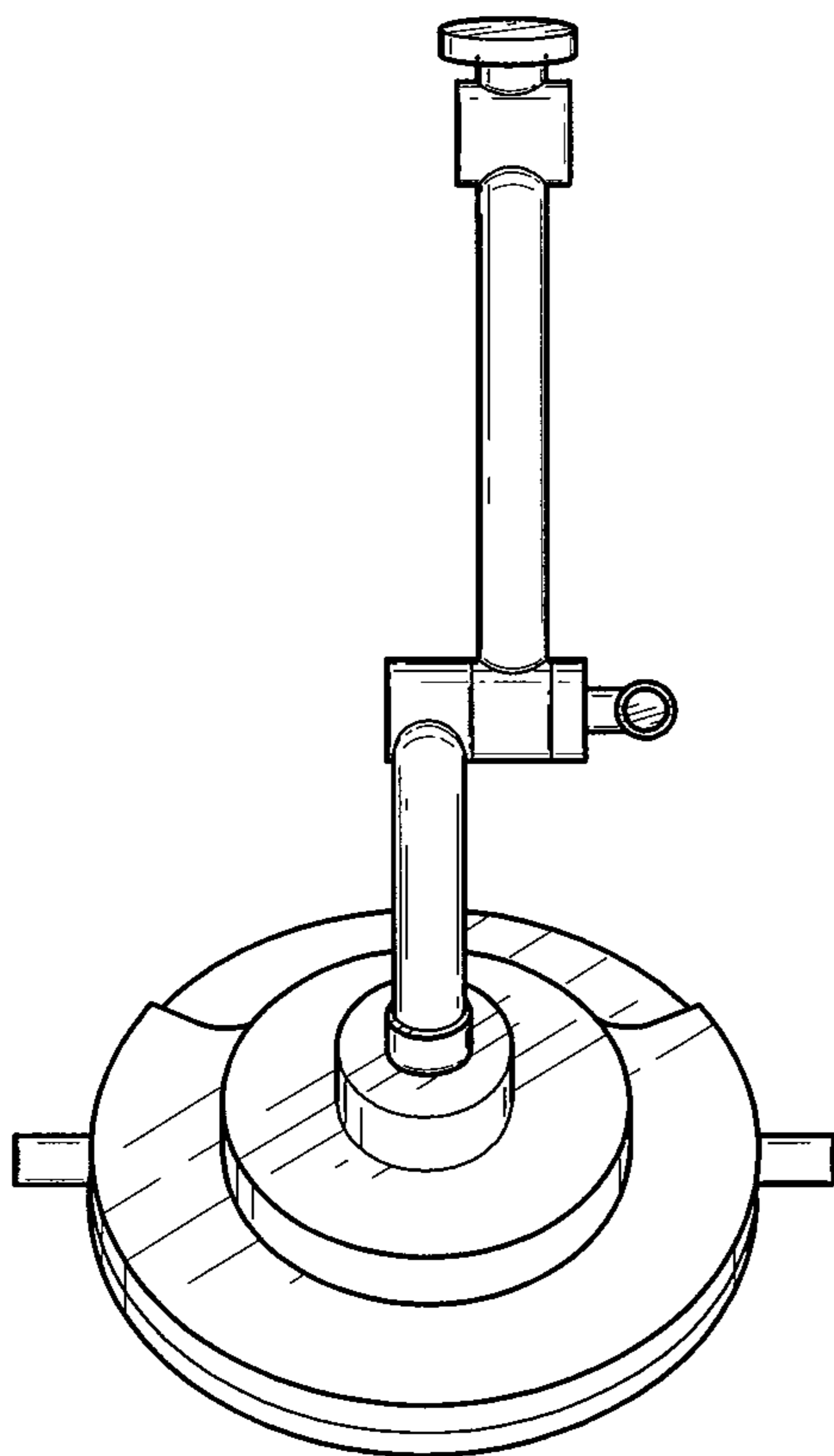


Fig-2

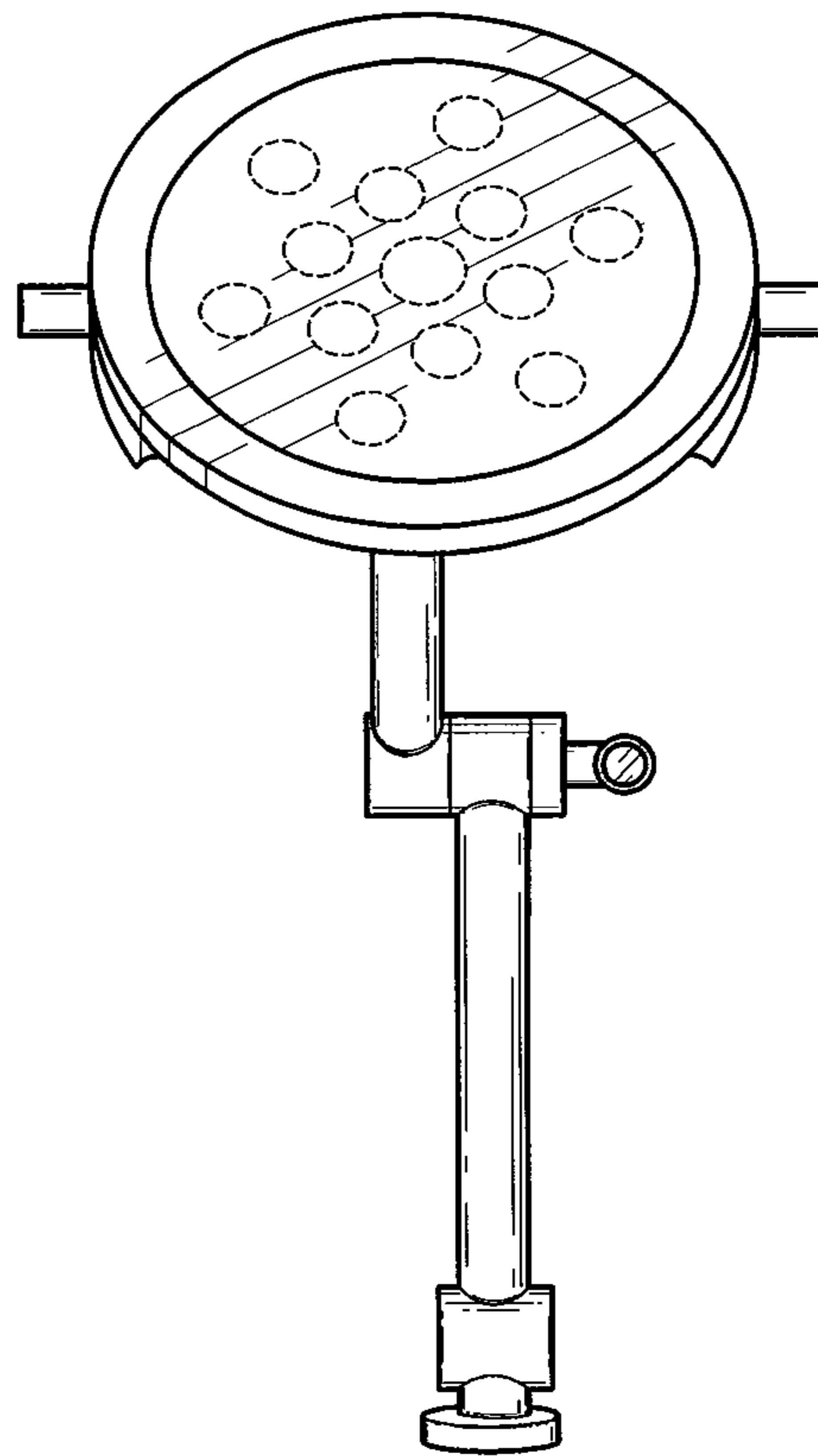


Fig-3

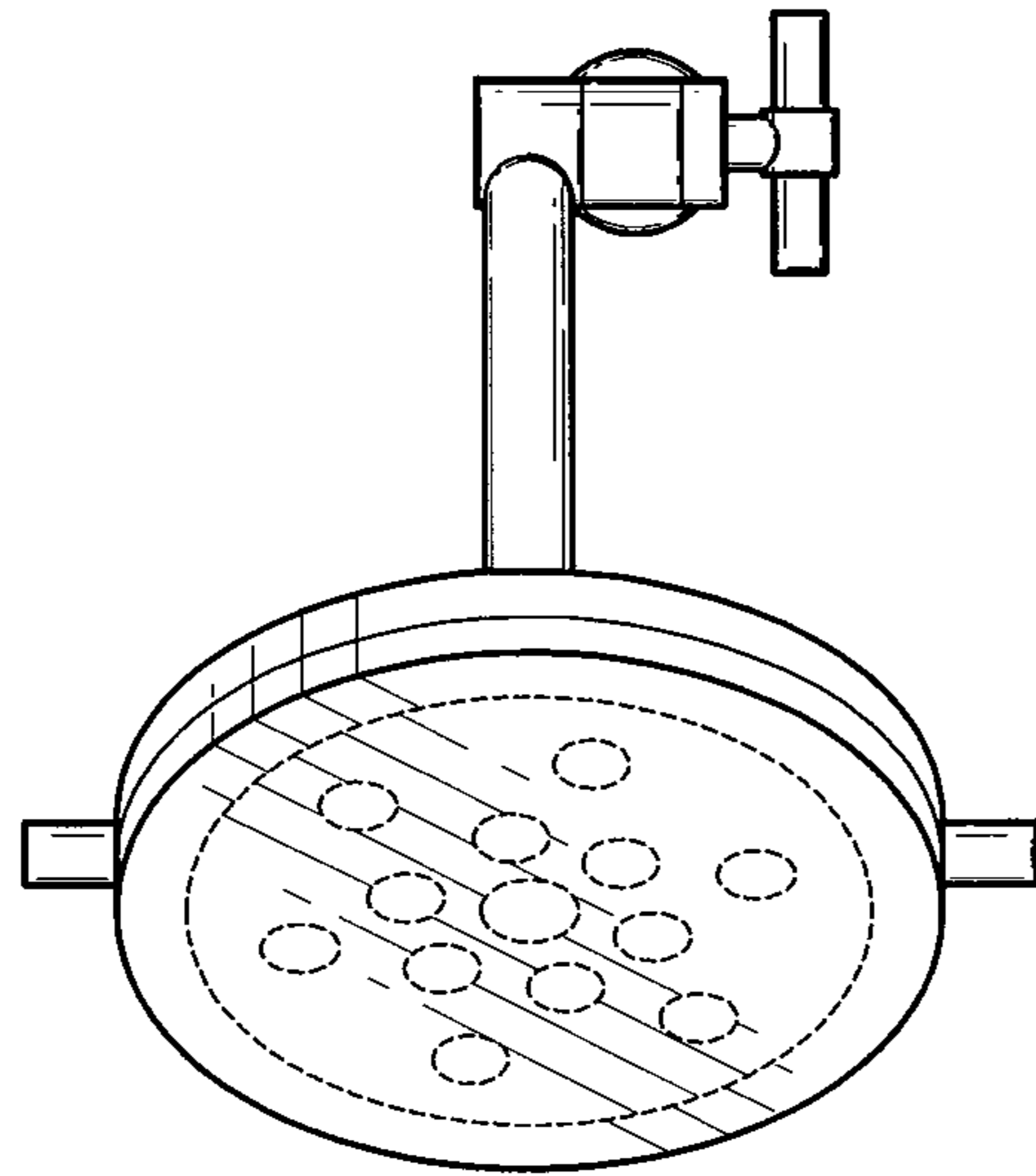


Fig-4

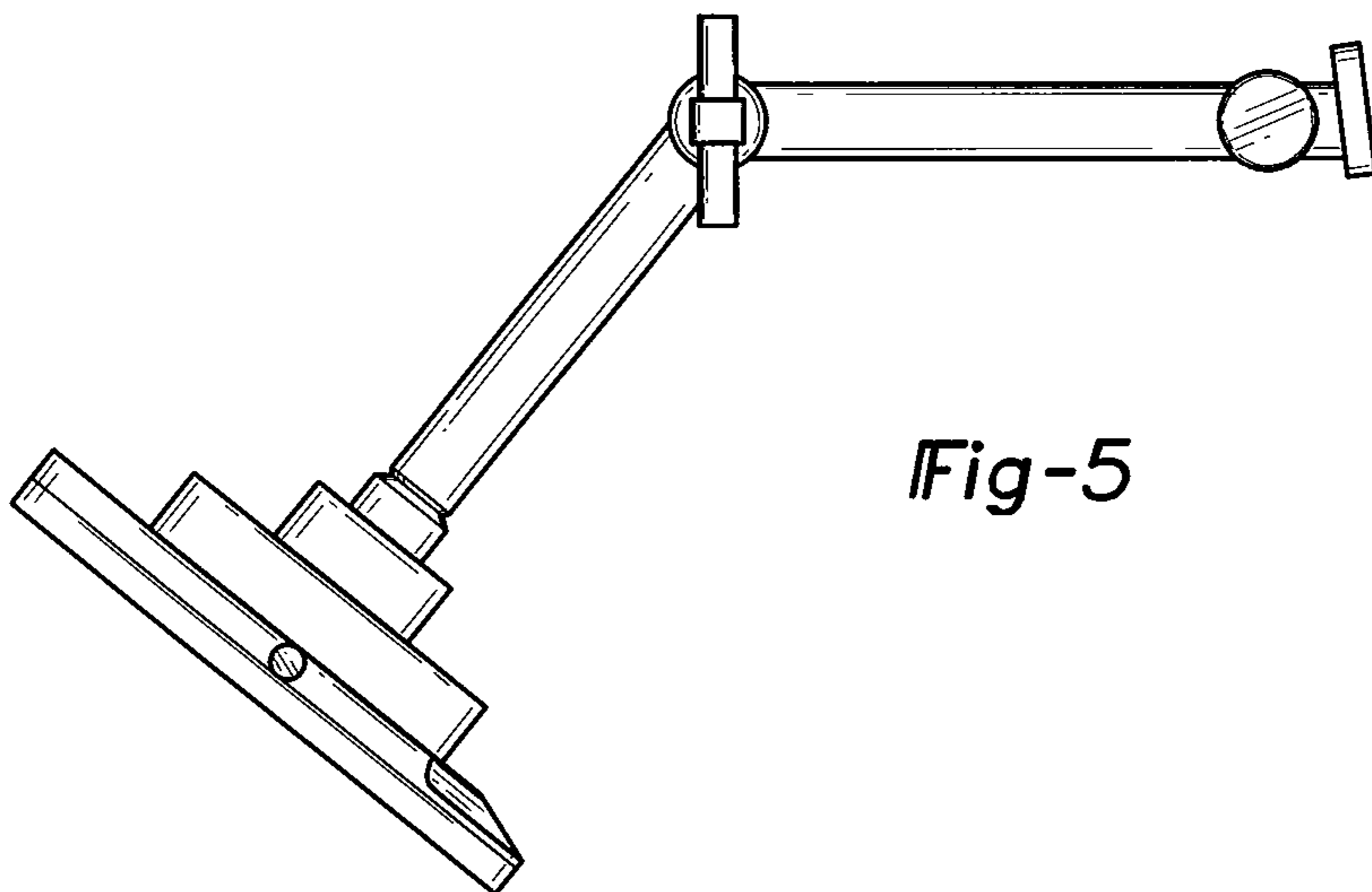


Fig-5

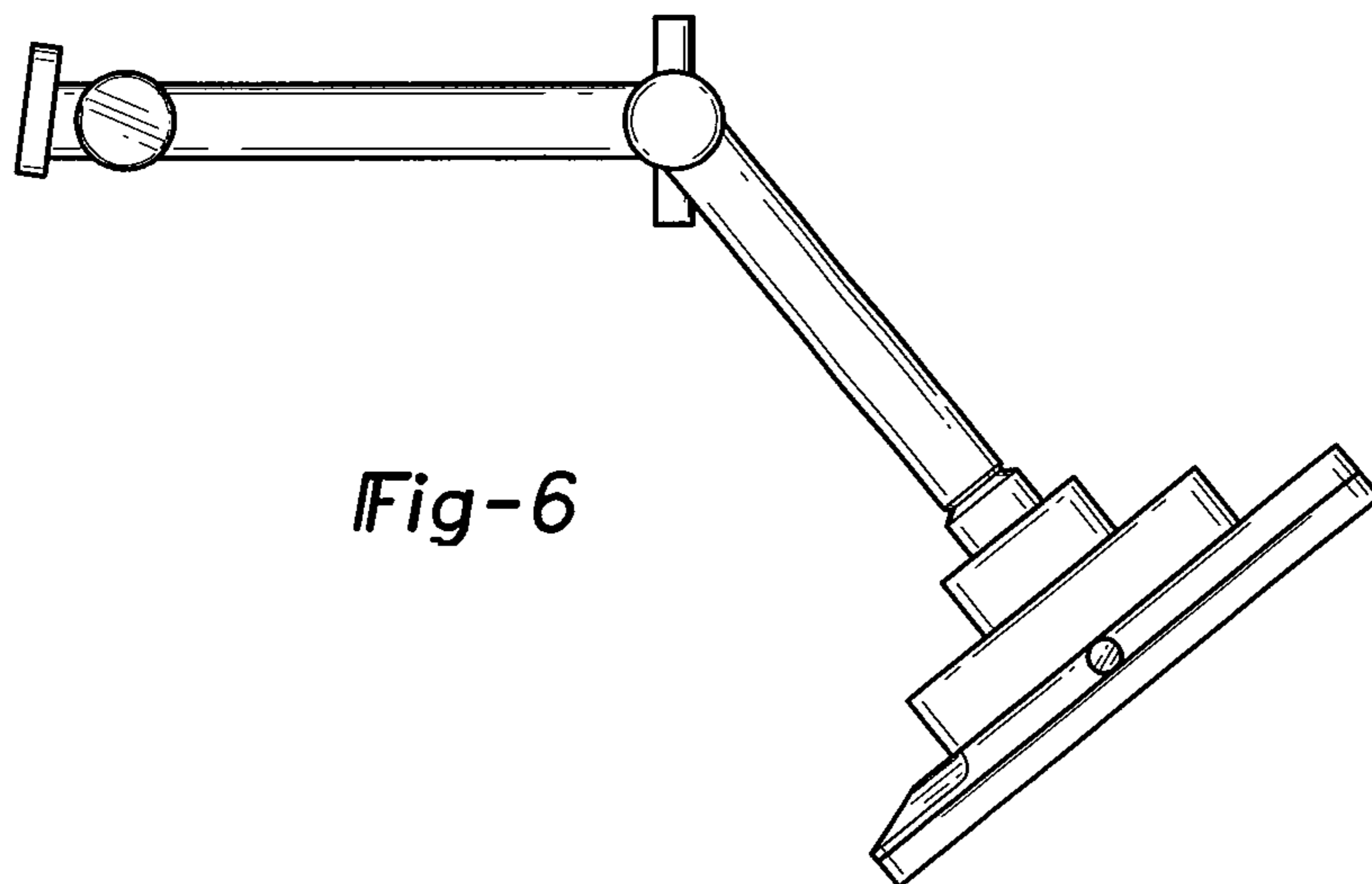


Fig-6